

2020



CGT *ART 260*

PGM-FI Racing Trial

Owner's Manual

Important

This motorcycle is designed and constructed as an operator-only model. The motorcycle load limit and seating configuration do not safety permit the carrying of a passenger.

Read this manual carefully.

This manual should be considered as a permanent part of the motorcycle and should remain with the motorcycle when resold.

Safety Messages

Your safety and the safety of others is very important. We have provided important safety messages in this manual and on the COTA 4RT. Please read these messages carefully.

A safety message alerts you to potential hazards that could hurt you or others. Each safety message is preceded by a safety alert symbol  and one of three words, **DANGER**, **WARNING**, or **CAUTION**.

These signal words mean:



DANGER

You **WILL** be **KILLED** or **SERIOUSLY HURT** if you don't follow instructions.



WARNING

You **CAN** be **KILLED** or **SERIOUSLY HURT** if you don't follow instructions.



CAUTION

You **CAN** be **HURT** if you don't follow instructions.

Each message tells you what the hazard is, what can happen and what you can do to avoid or reduce injury.

Damage Prevention Messages

You will also see other important messages that are preceded by the word **NOTICE**.

This word means:

NOTICE

Your COTA 4RT or other property can be damaged if you don't follow instructions.

The purpose of these messages is to help prevent damage to your COTA 4RT, other property, or the environment.

MONTESA COTA 4RT

Owner's Manual

The following diagram shows the 4 different versions of the COTA 4RT model:

(1ED) Street version, COTA 4RT-260



(2ED) Street version, COTA 4RT RACE REPLICA



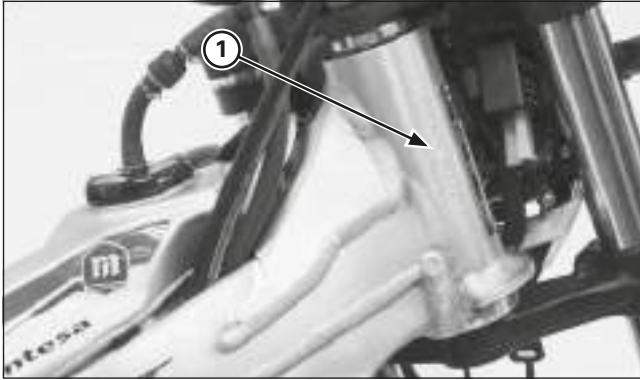
(3ED) Racing version, COTA 4RT-260



(4ED) Racing version COTA 4RT RACE REPLICA.



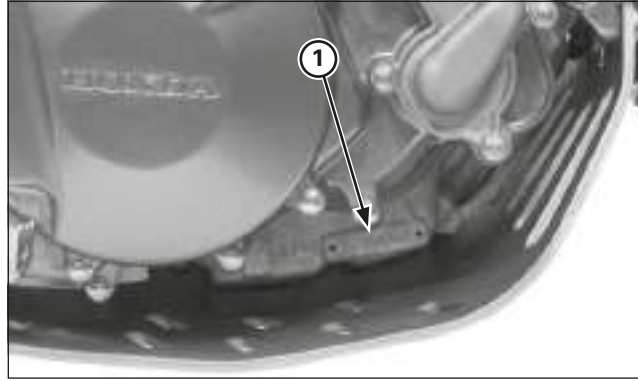
All information in this publication is based on the latest product information available at the time of approval for printing.
MONTESA HONDA, S.A.U. reserves the right to make changes at any time without notice and without incurring any obligation.
No part of this publication may be reproduced without written permission.



(1) FRAME NUMBER

Serial numbers

The Vehicle Identification Number (VIN) is stamped on the right side of the steering head.





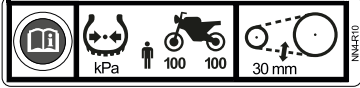




(1) ENGINE NUMBER

The serial number of the engine is stamped on the lower right side of the crankcase.

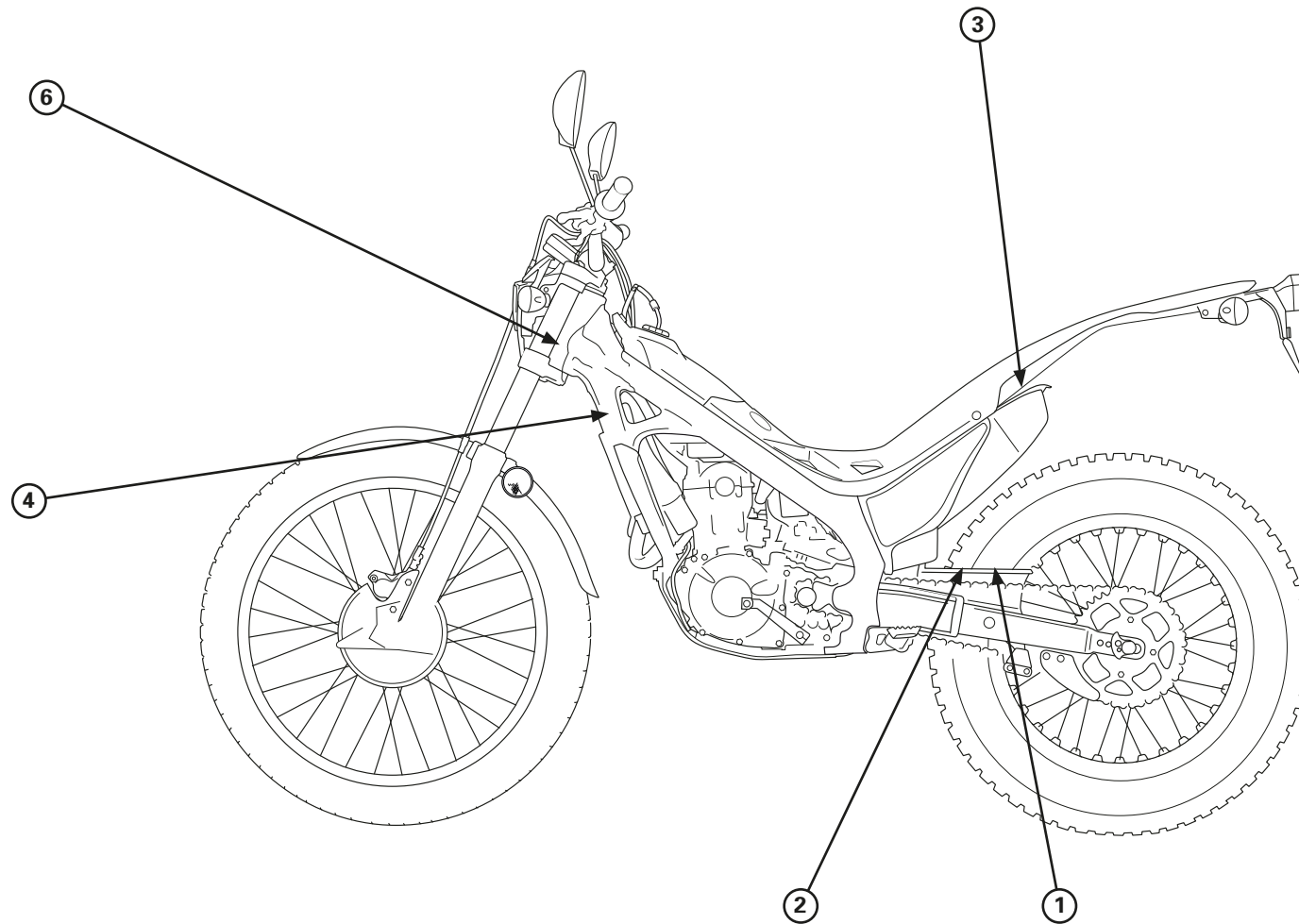
MODEL	TYPE	FRAME No.	ENGINE No.
MRT 260 L	ED/2ED	*VTDND13B?LE000001*	NN4E5209001
MRT 260 L	3ED	*VTDNE04C?LE000001*	NN4E5209001
MRT 260 L	4ED	*VTDNE043?LE000001*	NN4E5209001

Labels

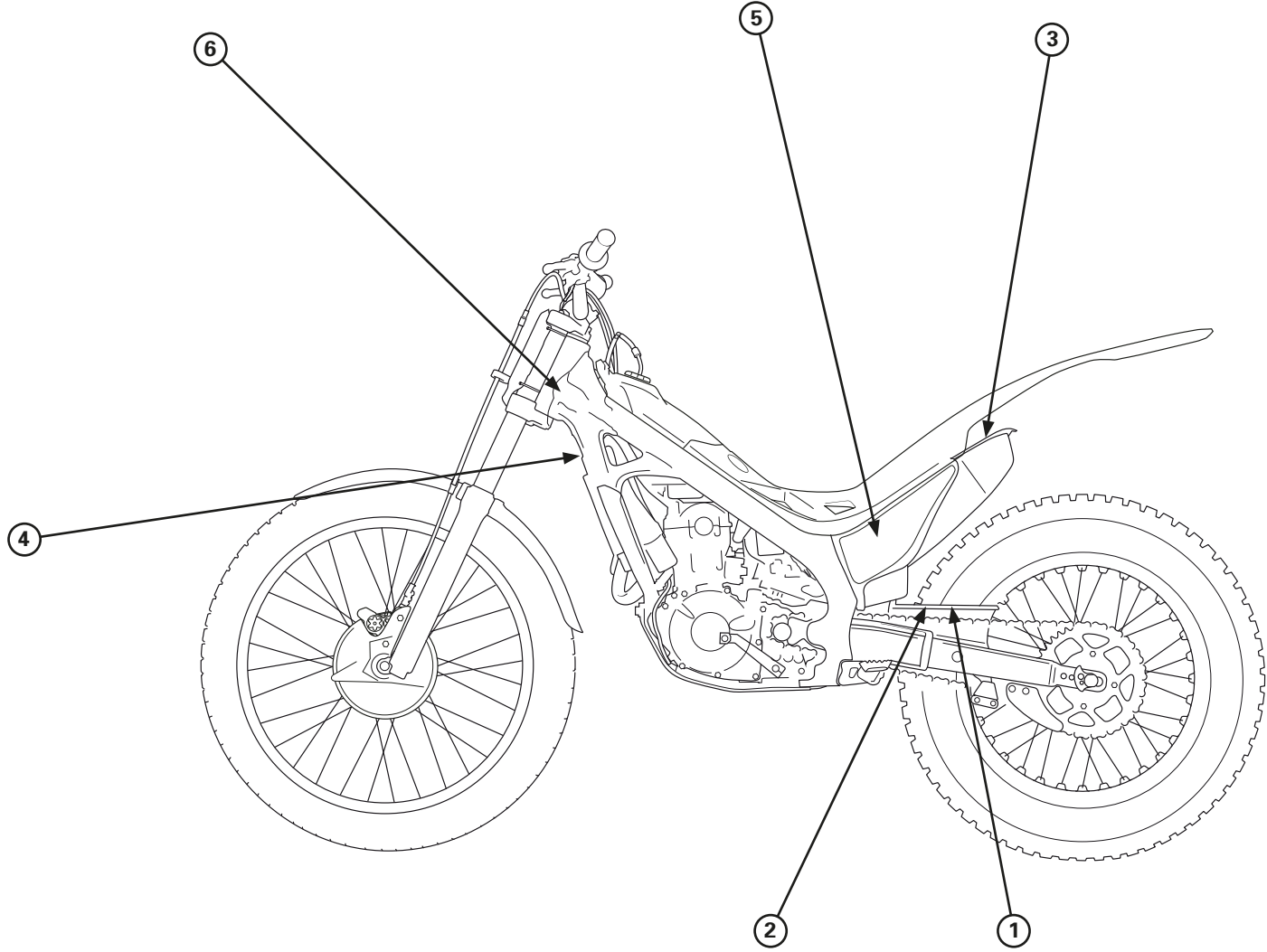
The following pages show the meanings and locations of the labels on your Cota.
Others provide important safety information. Read this information carefully and don't remove the labels.
If a label comes off or becomes hard to read, contact your dealer for a replacement.
There is a specific symbol on each label. The meanings of each symbol and label are as follows.

1		<p>Keep chain adjusted and lubricated 25-35 Mm (1.0 -1.4 In) Read owners manual</p>	<p>below chassis number: (ED/2ED) VTDND13B?LE000389 (3ED) VTDNE04C?LE000150 (4ED) VTDNE043?LE000144</p>
2		<p>Tire information (ED/2ED) Cold tire pressure (driver only) Front: 100kpa Rear: 100kpa</p>	<p>below chassis number: (ED/2ED) VTDND13B?LE000389</p>
		<p>Tire information Cold tire pressure (driver only) Front: 100kpa Rear: 100kpa</p> <p>Keep chain adjusted and lubricated 25-35 Mm (1.0 -1.4 In) Read owners manual</p>	<p>above chassis number: (ED/2ED) VTDND13B?LE000390 (3ED) VTDNE04C?LE000151 (4ED) VTDNE043?LE000145</p>
3		<p>Caution label</p> <ul style="list-style-type: none"> - This motorcycle is not designed to transport a passenger. - Read owner's manual carefully. - For your protection always wear your helmet while riding. - (E5) Ethanol (ethyl alcohol) 5% by volume. - (E10) Ethanol (ethyl alcohol) 10% by volume. - Use unleaded gasoline, octane number 95 (RON) or higher. 	
4		<p>Radiator cap label Danger</p> <ul style="list-style-type: none"> - Never open when hot. - Hot coolant will scald you. - Relief pressure valve begins to open at 1.1 Kg/cm². 	
5		<p>Safety label (3ED/4ED) (*) Depending on the final destination of the motorcycle</p>	
6		<p>EC label</p>	

Labels ED/2ED



Labels 3ED/4ED



Important Safety Precautions

Your Cota can provide many years of pleasure, if you take responsibility for your own safety and understand the challenges you can meet in competitive racing.

As an experienced rider, you know there is much you can do to protect yourself when you ride. The following are a few precautions we consider to be most important.

Never Carry a Passenger.

Your Cota is designed for one operator only. Carrying a passenger can cause crashes in which you and others can be hurt.

Wear Protective Gear.

Whether you're practicing to improve your skills, or riding in competition, always wear an approved helmet, eye protection, and proper protective gear.

Take Time to Get to Know Your Cota.

Because every motorcycle is unique, take time to become thoroughly familiar with how this one operates and responds to your commands before placing your machine, and yourself, in competition.

Learn and Respect Your Limits.

Never ride beyond your personal abilities or faster than conditions warrant. Remember that alcohol, drugs, illness and fatigue can reduce your ability to perform well and ride safely.

Don't Drink and Ride.

Alcohol and riding don't mix. Even one drink can reduce your ability to respond to changing conditions, and your reaction time gets worse with every additional drink. So don't drink and ride, and don't let your friends drink and ride either.

Keep your Montesa in Safe Condition.

Maintaining your Cota properly is critical to your safety. A loose bolt, for example, can cause a breakdown in which you can be seriously injured.

Accessories & Modifications

Modifying your Cota or using non-Montesa accessories can make your Cota unsafe.

Before you consider making any modifications or adding an accessory, be sure to read the following information.



Improper accessories or modifications can cause a crash in which you can be seriously hurt or killed.

Follow all instructions in this owner's manual regarding modifications and accessories.

Accessories

We strongly recommend that you use only Montesa Genuine accessories that have been specifically designed and tested for your Cota. Because Montesa cannot test all other accessories, you must be personally responsible for proper selection, installation, and use of non-Montesa accessories.

Check with your dealer for assistance and always follow this guideline:

- Make sure the accessory does not reduce ground clearance and lean angle, limit suspension travel or steering travel, alter your riding position, or interfere with operating any controls.

Modifications

We strongly advise you not to remove any original equipment or modify your Cota in any way that would change its design or operation.

Such changes could seriously impair your Cota's handling, stability, and braking, making it unsafe to ride.

General Competition Maintenance

Perform maintenance on firm, level ground using the side stand, a workstand, or equivalent support.

When tightening bolts, nuts or screws, start with the larger diameter or inner fasteners, and tighten them to the specified torque using a crisscross pattern.

Use Montesa Genuine Parts or their equivalent when servicing your Cota.

Clean parts in non-flammable (high flash point) cleaning solvent (such as kerosene) when disassembling. Lubricate any sliding surface, Orings, and seals before reassembling. Grease parts by coating or filling where specified.

After any engine disassembly, always install new gaskets, O-rings, cotter pins, piston pin clips, snap rings, etc. when reassembling. After reassembly, check all parts for proper installation and operation.

Contents

1. Operating instructions

Operation component locations (ED/2ED).....	1-1
Operation component locations (3ED/4ED).....	1-2
Fuel	1-3
Coolant	1-3
Basic Operation	1-3
Odometer/Speedometer (ED/2ED)	1-5
Steering lock (ED/2ED)	1-7
Shifting gears	1-7
Braking	1-8
Parking.....	1-8
Controls	1-8

2. Service data

Specifications	2-1
Service data.....	2-2
Torque Values.....	2-6
Tools	2-8
Special.....	2-8
Lubrication & Seal Points.....	2-9
Cable & Harness Routing.....	2-12

3. Service and maintenance

Maintenance schedule.....	3-1
Pre-ride Inspection	3-1
Warming-up Inspection.....	3-2
Ride Inspection.....	3-2
After Ride Inspection	3-2
Replacement Parts.....	3-2
Fuel Line	3-3
Air Cleaner	3-3
Spark Plug	3-4
Valve Clearance	3-4
Engine Oil/Oil Filter	3-6
Engine Idle Speed	3-8
Transmission Oil.....	3-8
Coolant	3-9
Clutch System	3-10
Exhaust Pipe And Muffler	3-10
Drive Chain.....	3-11
Drive Chain Slider.....	3-11
Drive/Driven Sprockets.....	3-12
Brake Fluid	3-13

Brake Pad Wear.....	3-14
Brake System.....	3-14
Handlebar And Steering Head Bearings.....	3-15
Wheels And Tires	3-15
Front Suspension.....	3-16
Fork (ED/3ED)	3-16
Fork (2ED/4ED)	3-17
Rear Suspension.....	3-18
Front headlight and front and rear position light.....	3-19
Cleaning	3-20
Storage	3-20

4. Engine servicing

Oil Pressure Relief Valve.....	4-1
Oil Pump	4-1
Disassembly / Installation of fuel feed hose	4-4
Fuel Line Inspection	4-5
Fuel Tank/Fuel Pump.....	4-7
Injector	4-13
Throttle Body	4-13
Water Seal And Bearing Replacement.....	4-15
Radiator Removal/Installation	4-17
Engine Removal/Installation.....	4-18
Cylinder Compression	4-20
Cylinder Head Removal	4-23
Cylinder Head Disassembly	4-25
Cylinder Head Inspection	4-26
Valve Guide Replacement	4-27
Valve Seat Inspection/Refacing	4-28
Cylinder Head Assembly.....	4-31
Cylinder/Piston	4-32
Cylinder Head Installation	4-37
Camshaft/Cylinder Head Cover Installation.....	4-38
Right Crankcase Cover	4-40
Clutch Slave Cylinder	4-41
Clutch.....	4-43
Kickstarter	4-46
Gearshift Linkage.....	4-47
Left Crankcase Cover.....	4-49
Flywheel	4-52
Crankcase Separation/Disassembly	4-54
Crankshaft/Transmission Inspection	4-56
Crankcase Bearing Replacement	4-56
Transmission Assembly	4-58
Crankcase Combination	4-59

5. Frame servicing

Front Wheel.....	5-1
Fork.....	5-3
Steering stem	5-12
Rear Wheel	5-15
Shock Absorber.....	5-16
Shock Linkage.....	5-20
Swingarm.....	5-21
Brake pad replacement.....	5-25
Front brake caliper	5-28
Rear brake caliper.....	5-29
Front master cylinder	5-30
Rear master cylinder	5-31
Brake pedal.....	5-31
Clutch master cylinder	5-32

6. Electrical servicing

Charging system inspection	6-1
Ignition system inspection	6-3
PGM-FI System inspection	6-5
MIL and DTC (ISO) error codes for the PGM-FI injection system.	6-9
Bank angle sensor inspection	6-10
Engine stop switch inspection	6-11
Cooling fan system inspection.....	6-11
Chapter lights / instruments / switches (ED/2ED)	6-12
Indicator light/Indicator light relay	6-13
Speed sensor	6-16
Wiring diagram (ED/2ED)	6-18
Wiring diagram (3ED/4ED)	6-19

To The New Owner

By selecting a MONTESA COTA 4RT as your new machine, you have placed yourself in a distinguished family of owners and riders.

The COTA is a high performance trial motorcycle utilizing the latest trial technology. This motorcycle is intended for competition use by experienced riders only.

This new trialer was designed to be as competitive as possible. But motorcycle trial is a physically demanding sport that requires more than just a fine racing machine. To do well, you must be in excellent physical condition and be a skillful rider. For the best possible results, work diligently on your physical conditioning and practice frequently.

The purpose of this Manual is to help ensure that you obtain the greatest possible satisfaction from your new COTA trialer.

Start-up recommendations

Adjusting the idle

If using your motorcycle at different heights, bear in mind that you must adjust the idle; otherwise, you may have problems operating the vehicle. (See page 3-8)

Engine start

If you have problems starting your vehicle, follow the steps below:

1. Open the throttle all the way (100%) and hold.
2. Without releasing the throttle, operate the kick-starter once or twice.
3. Close the throttle and start your motorcycle as normal (page 1-3).

Importance Of Proper Preparation

Proper pre-competition preparation and regular service is essential to rider safety and the reliability of the motorcycle. Any error or oversight made by the technician during preparation or servicing can easily result in faulty operation, damage to the machine, or injury to the rider.

Parts Availability

Orders for the parts tend to be concentrated during the season, so you need to plan your parts orders carefully. To prevent delays in shipment, place orders on regularly replaced and fast-wearing parts well ahead of the season (page 3-2).

How To Use This Manual

The purpose of this Owner's Manual is to help ensure that you obtain the greatest possible satisfaction from your new COTA trialer; satisfaction with the performance of the motorcycle, and through success in competition.

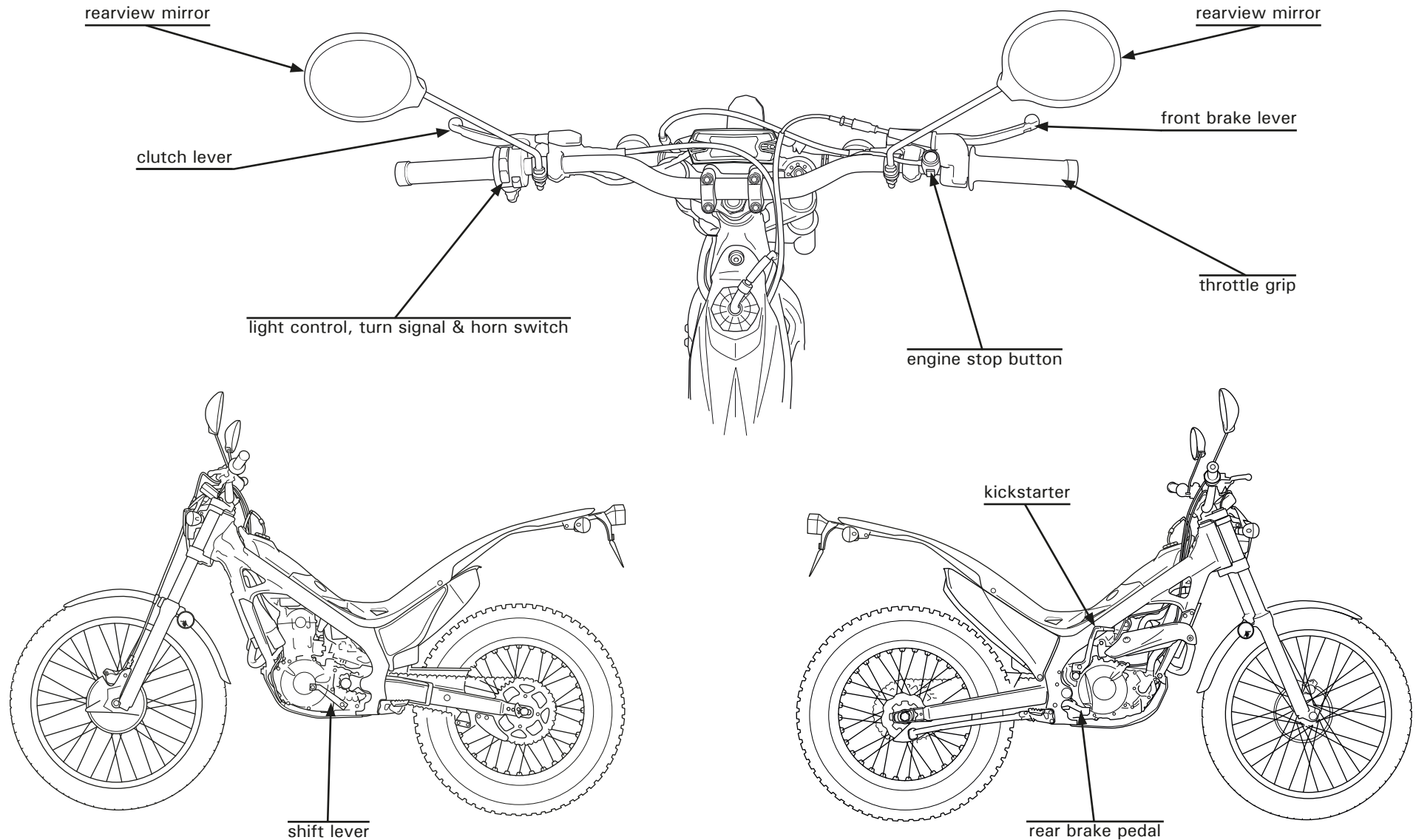
If you plan to do any service on your COTA, section 3 describes standard maintenance and sections 4 through 6 contain information on repair, disassembly, assembly and special tools.

Follow the Maintenance Schedule recommendation (page 3-1) to ensure that your COTA is always in peak operating condition.

Memo

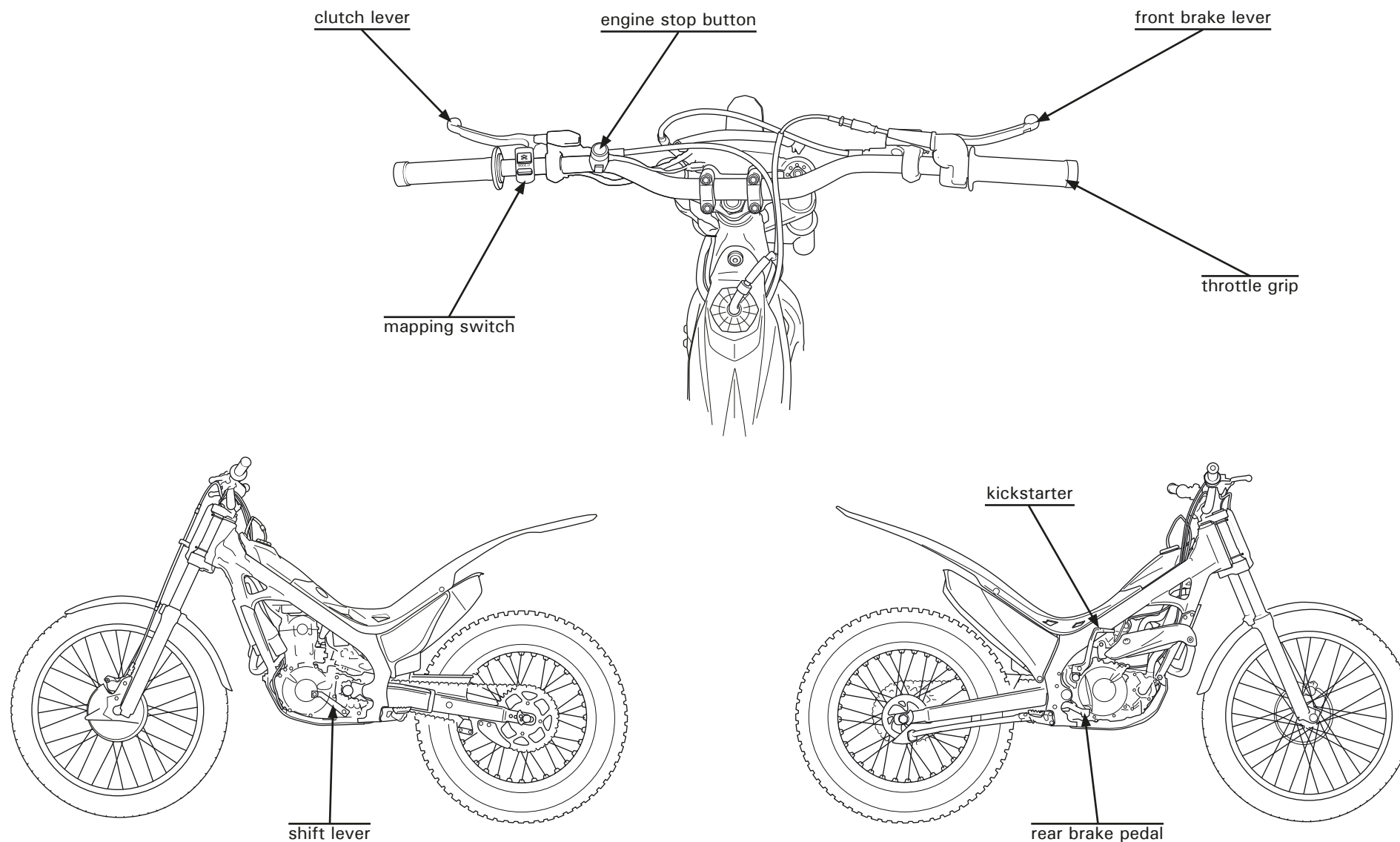
1. Operating instructions

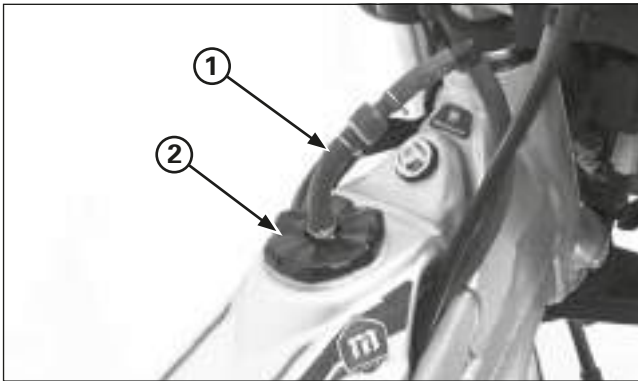
Operation component locations (ED/2ED)



Operating instructions

Operation component locations (3ED/4ED)





(1) BREATHER HOSE
(2) FUEL TANK CAP

Fuel

Gasoline: Unleaded gasoline, pump octane number 95 (RON) or higher.

Fuel tank capacity:
2.0 ± 0.2 liter (0.52 US gal, 0.43 Imp gal)

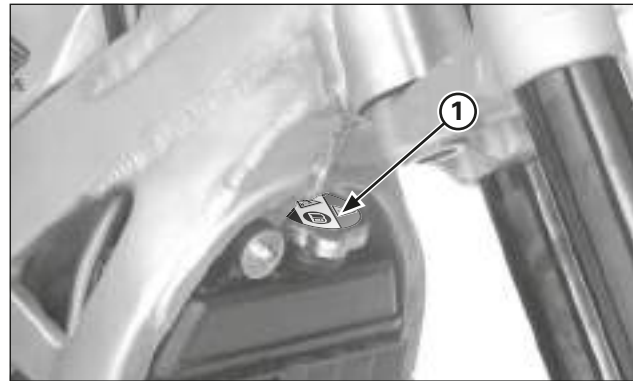
Disconnect the breather hose from the fuel filler cap. Turn the fuel tank cap counterclockwise, then remove the cap.

WARNING

Gasoline is highly flammable and is explosive. You can be burned or seriously injured when refueling.

- Stop engine and keep heat, sparks, and flame away.
- Refuel only outdoors.
- Wipe up spills immediately.

Install the fuel tank cap by turning it clockwise. Connect the breather hose to the fuel filler cap.



(1) RADIATOR CAP

Coolant

The engine of COTA is a water-cooled type. In order to provide adequate cooling, it is essential that the radiator be filled with coolant up the proper level (See pag. 3-9).

Coolant: 50/50 Mixture of Coolant and Distilled Water

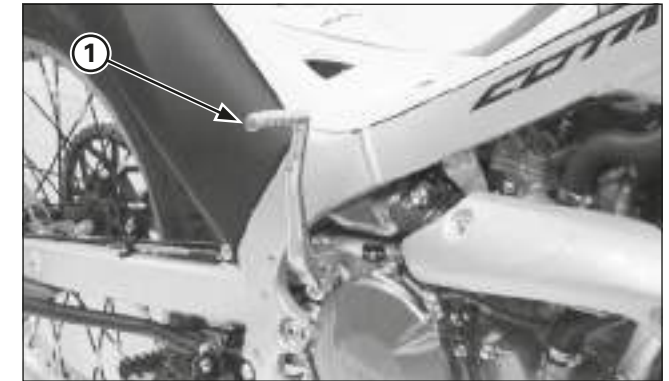
WARNING

Removing the radiator cap while the engine is hot will allow the coolant to spray out, seriously scalding you.

Always let the engine and radiator cool down before removing the radiator cap.

NOTICE

When filling the coolant system, be sure to bleed air completely. If not, the system cannot be sufficiently filled and will cause overheating.



(1) KICKSTARTER PEDAL

Basic Operation

Starting The Engine

Your COTA exhaust contains poisonous carbon monoxide gas. High levels of carbon monoxide can collect rapidly in enclosed areas such as a garage. Do not run the engine with the garage door closed. Even with the door open, run the engine only long enough to move your COTA out of the garage.

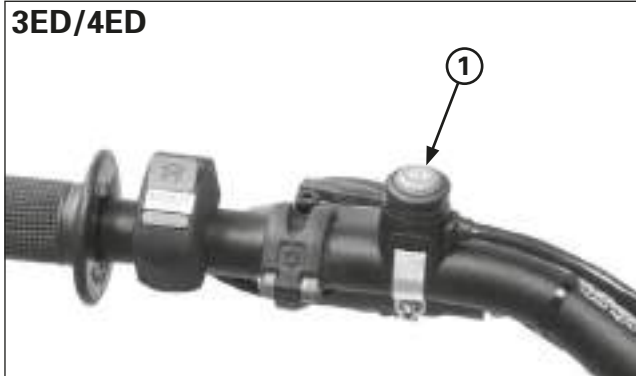
Cold Engine Starting

1. Shift the transmission into neutral.
2. Release the side stand all the way.
3. With the throttle fully closed, operate the kickstarter. Starting from the top of the kickstarter stroke, kick through to the bottom with a rapid, continuous motion.
4. After the engine starts, run it for a few minutes, "blipping" the throttle, until it warms up enough to idle.

WARNING - VERY IMPORTANT



Operating instructions



(1) ENGINE STOP BUTTON

When you shift the transmission into gear, apply front brake to prevent the motorcycle move forward.

Stopping The Engine

1. Shift the transmission into neutral.
2. Push the engine stop button until the engine stops completely.

Break-In Procedure

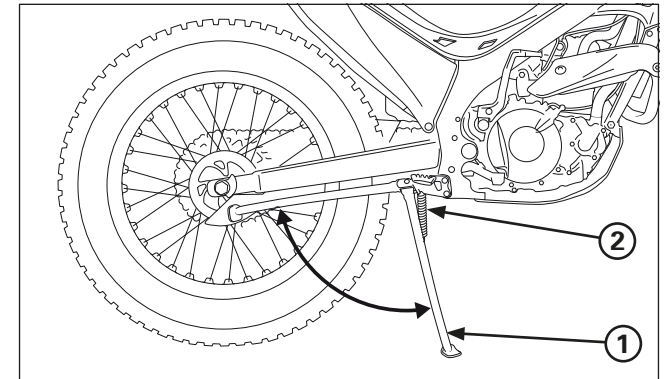
New Motorcycle

Following proper break-in procedure helps ensure that the most important and expensive components on your new motorcycle will provide maximum performance and service life. (Also follow proper break-in procedure for a newly rebuilt engine.)

When riding a new motorcycle, operate the motorcycle for the first 20 minutes using not more than half throttle and shifting gears so that the engine does not lug:

Reconditioned Motorcycle

- After replacing the cylinder and crankshaft, operate the motorcycle 20 minutes observing the same cautions as for a new motorcycle.
- When the piston, piston ring, gears, etc. are replaced, they must be broken in observing the first 30 minutes using not more than half throttle and shifting gears so that the engine does not lug



(1) SIDE STAND
(2) SIDE STAND SPRINGS

Side Stand

The side stand is used to support your Cota while parked. To operate, use your foot to lower the side stand until it is fully extended. Before riding, raise the side stand.

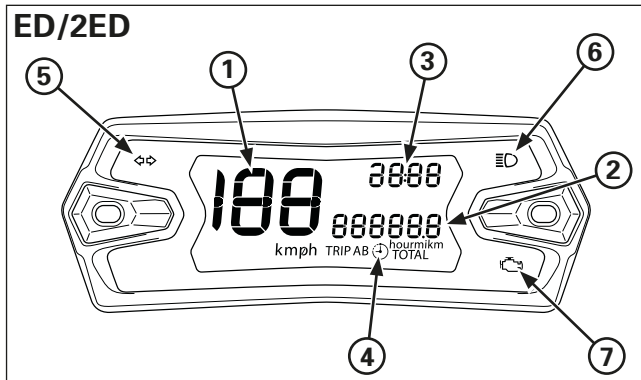
Inspection

1. Check the stand springs for damage or loss of tension.
2. Check the side stand assembly for freedom of movement.

If the stand is stiff or squeaks, clean the area around the pivot and lubricate the pivot bolt with grease or oil lubricant.

NOTICE

Do not start the motorcycle while supported on the side stand, which could be bent.



- (1) SPEEDOMETER
- (2) ODOMETER
- (3) CLOCK
- (4) RIDE TIME
- (5) TURN SIGNAL INDICATOR
- (6) HIGH BEAM INDICATOR
- (7) MALFUNCTION INDICATOR LAMP (MIL)

Odometer/Speedometer (ED/2ED)

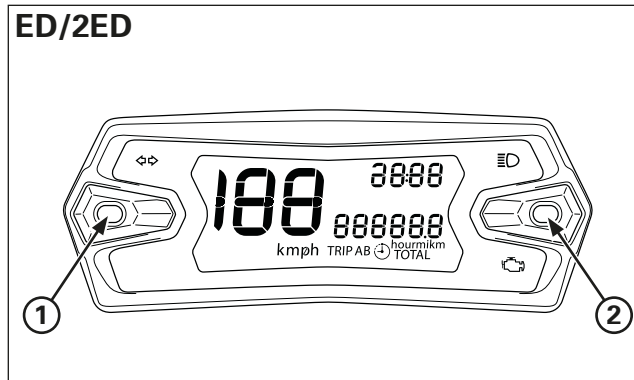
Instruments

- Speedometer: Shows riding speed. This shows your speed in kilometres per hour (km/h) or miles per hour (mph).
- Odometer: shows accumulated mileage in "TOTAL", "TRIP A" and "TRIP B" modes.
- Clock: Shows hour and minute.
- Ride time: shows the ride time in "TOTAL", "TRIP A" and "TRIP B" modes.

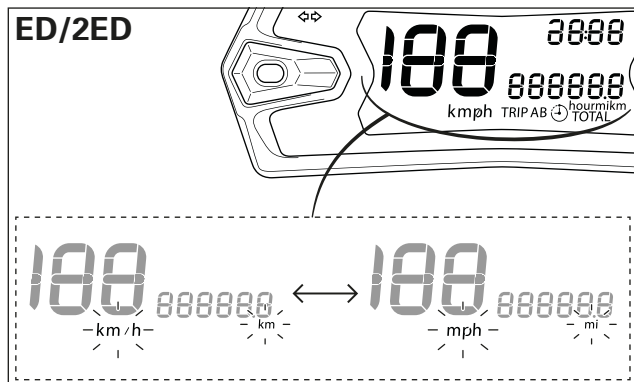
Indicators

The indicators are located in the speedometer.

- High beam indicator (blue): Lights when the headlight is on high beam
- Turn signal indicator (green): Flashes when the turn signal operates.
- Malfunction indicator lamp (MIL). When any abnormality occurs in the system, the ECM turns on the MIL.



- (1) (MODE) BUTTON
- (2) (SET) BUTTON

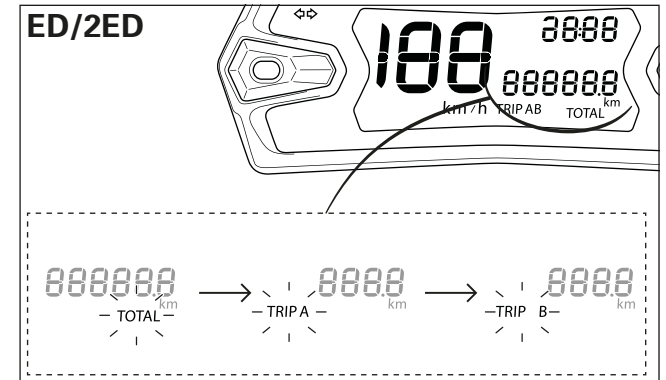


Setting mode

The main screen is used to adjust the following settings:

1. Changing the speed units:

1. Start the motorcycle.
2. Press the (SET) button.
 - Press less than 2 seconds to display the ride time (hour) or mileage (km / mi).
 - Press and hold more than 10 seconds, the speed units will change from km/h to mph and vice versa, depending on their initial setting.

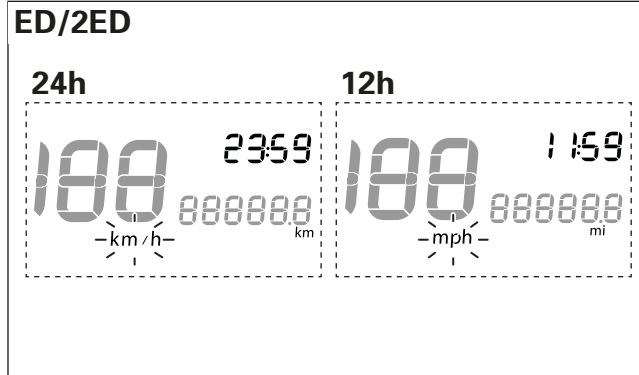


2. Changing from "TOTAL", "Trip A" o "Trip B".

1. Start the motorcycle.
The "TOTAL" distance is displayed by default.
2. Press the (MODE) button.
 - Press less than 2 seconds to display "TOTAL", "TRIP A" o "TRIP B".
3. Press the (SET) button.
 - Press less than 2 seconds to display the ride time (hour) or accumulated mileage (km / mi).

To reset "TRIP A" or "TRIP B", select the desired condition (accumulated mileage or ride time). Press and hold the (SET) button for more than 2 seconds.

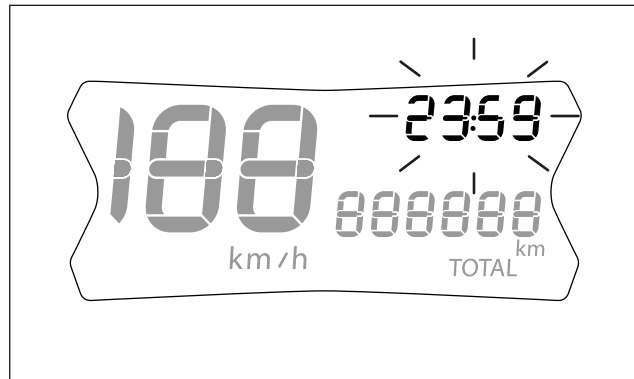
Operating instructions



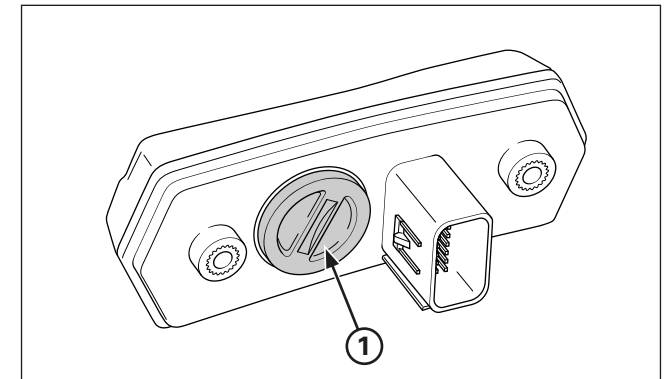
3. Clock settings

The clock will be displayed in 24h format if the unit of measure is set to **km**.

The clock will be displayed in 12h format if the unit of measure is set to **mi**.



1. Start the motorcycle.
2. Press the (MODE) + (SET) buttons.
 - Press and hold more than 2 seconds. The clock will be set in the adjust mode with the hour display flashing.
 - Press the (MODE) button to change the hours.
 - Press less than 2 seconds, the digit will increase by one hour each time the button is pressed.
 - Keep the button pressed, the hour digit advances fast, release the button when the desired time is displayed.
 - Press the (SET) button to change the minutes.
 - Press less than 2 seconds, the digit will increase by one minute each time the button is pressed.
 - Keep the button pressed, the minute digit advances fast. Release the button when the desired minute is displayed.
3. Press the (MODE) + (SET) buttons.
 - Press and hold more than 10 seconds to save the new values and exit the clock setting mode.
 - If no button is pressed for more than 10 seconds, the clock setting mode will end without saving the changes.

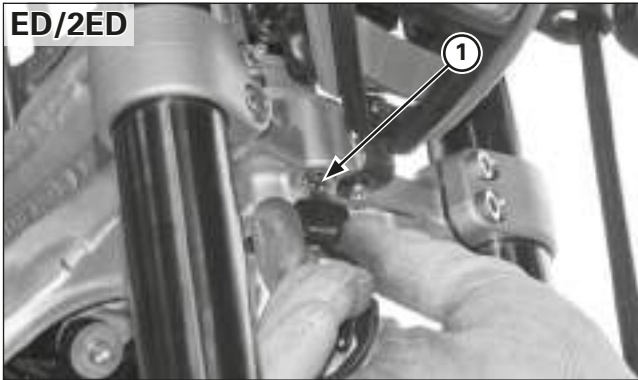


(1) COIN BATTERY

4. Coin battery

Odometer/Speedometer is equipped with a coin battery for keeping time when motorcycle is off.

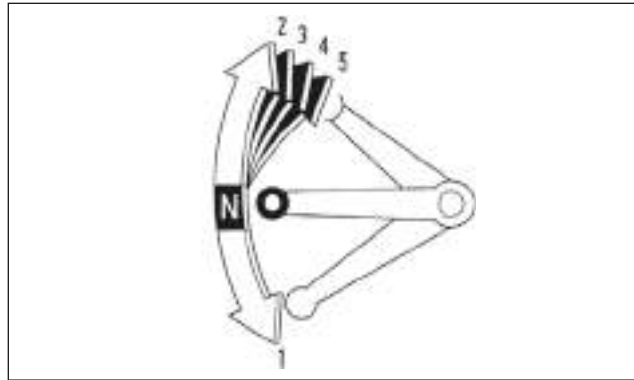
Coin size: CR2032



(1) STEERING LOCK

Steering lock (ED/2ED)

The steering lock is on the steering stem. To lock the steering, turn the handlebar all the way to the left, insert the steering key into the lock, turn the key counterclockwise as far as possible. Then, press the lock all the way in, turn the key back to the original position, and remove the key. To unlock the steering, perform the locking sequence in the reverse order.



Shifting gears

Your Cota has five forward gears in a one-down, four-up shift pattern. To start riding, after the engine has been warmed and the side stand raised.

1. Close the throttle and pull the front brake lever in.
2. Pull the clutch lever all the way in.
3. Depress the shift lever from neutral down to first gear.
4. Release the front brake lever. Gradually open the throttle while you slowly release the clutch lever. If the engine min-1 (rpm) (speed) is too low when you release the clutch lever, the engine will stall. If the engine min-1 (rpm) (speed) is too high or you release the clutch lever too quickly, your Cota may lurch forward.
5. When you attain a moderate speed, close the throttle, pull the clutch lever in, and raise the shift lever. After shifting, release the clutch lever and apply the throttle.
6. To continue shifting up to each higher gear, repeat step 5.
7. To shift down to a lower gear, close the throttle, pull the clutch lever in, and depress the shift lever. After shifting, release the clutch lever and apply the throttle.

Remember to close the throttle and pull the clutch lever in completely before shifting.

NOTICE

Improper shifting may damage the engine, transmission, and drive train.

Learning when to shift gears comes with experience. Upshift to a higher gear or reduce throttle before engine min-1 (rpm) (speed) gets too high. Downshift to a lower gear before you feel the engine laboring (lugging) at low min-1 (rpm).

NOTICE

Downshifting can help slow your motorcycle, especially on downhills. However, downshifting when engine min-1 (rpm) is too high can cause engine damage.

NOTICE

To prevent transmission damage, do not coast or tow the motorcycle for long distances with the engine off.

Operating instructions

Braking

To slow or stop, apply the front brake lever and rear brake pedal smoothly, while downshifting to match your speed. Gradually increase braking as you feel the brakes slowing your speed. To prevent stalling the engine, pull the clutch lever in before coming to a complete stop. For support, put your left foot down first, then your right foot when you are through using the rear brake pedal.

For maximum braking, close the throttle and firmly apply the front brake lever and rear brake pedal controls.

Applying the brakes too hard may cause the wheels to lock and slide, reducing control of your Cota. If this happens, release the brake controls, steer straight ahead until you regain control, then reapply the brakes more gently.

Generally, reduce your speed or complete braking before beginning a turn. Avoid braking or closing the throttle quickly while turning. Either action may cause one or both wheels to slip. Any wheel slip will reduce your control of your Cota.

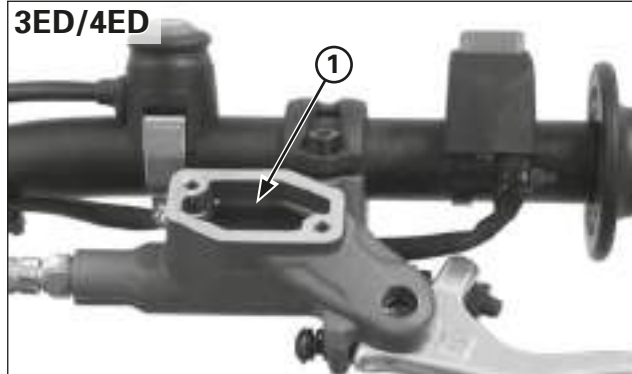
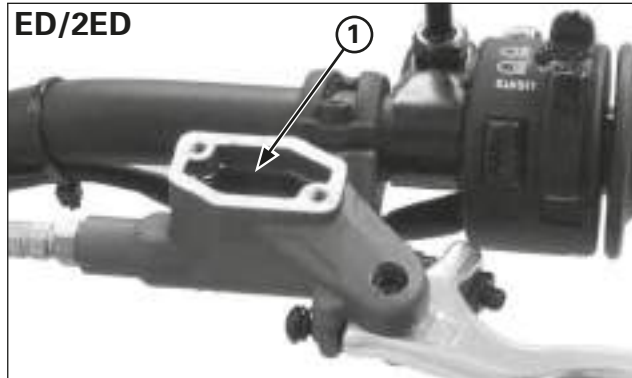
When riding in wet or raining conditions, or on loose surfaces, the ability to maneuver and stop will be reduced. All of your actions should be smooth under these conditions. Rapid acceleration, braking, or turning may cause loss of control. For your safety, exercise extreme caution when braking, accelerating, or turning.

When descending a long, steep grade, use engine compression braking by downshifting, with intermittent use of both brakes.

When you brake to a stop, pull the clutch lever in before stopping completely to prevent stalling the engine. For support, put your left foot on the ground first, then your right foot when you have finish braking.

Parking

Lower the side stand to support your Cota. Always choose a level surface to park.

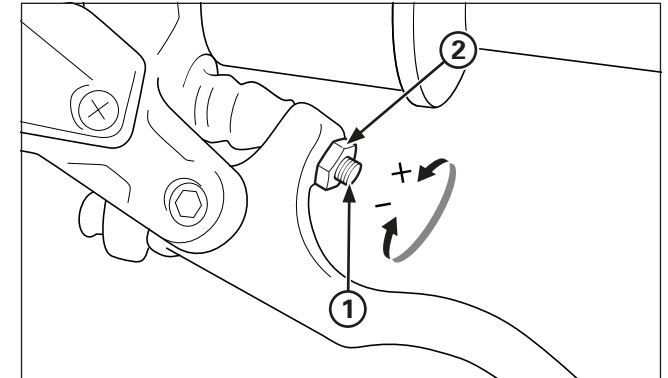


(1) UPPER LEVEL LINE

Controls

Clutch

Your COTA has a hydraulically actuated clutch. There are no adjustments to perform but the clutch system must be inspected periodically for fluid level and leakage. If the control lever free play becomes excessive and the motorcycle creeps or stalls when shifted into gear, or if the clutch slips, causing acceleration to lag behind engine speed, there is probably air in the clutch hydraulic system and it must be bled out.



(1) ADJUSTER
(2) LOCK NUT

Clutch Lever

The clutch lever free play can be adjusted by turning the adjuster.

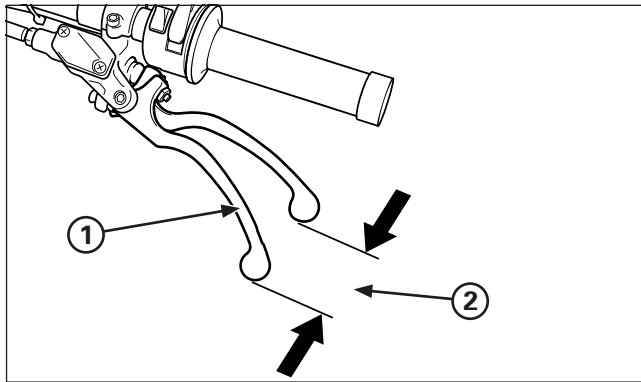
Free play must be adjusted to provide 0.5 – 1.5 mm (0.019 – 0.060 in) clearance between the end of the adjuster and the clutch master cylinder piston.

- To reduce free play, turn the adjuster clockwise, then tighten the lock nut securely.
- To increase free play, turn the adjuster counterclockwise, then tighten the lock nut securely.

If the clutch will not disengage or motorcycle creeps with clutch disengaged, there is probably air in the clutch system and it must be bled.

NOTICE

Do not adjust the end of the adjuster and the clutch master cylinder piston below 0.5 mm (0.019 in).



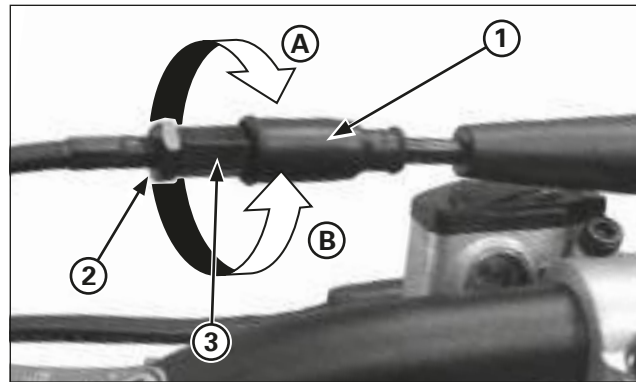
(1) CLUTCH LEVER
(2) FREE PLAY

Clutch Lever Free Play

Standard clutch lever free play should be between 0.5 – 15 mm (0.019 – 0.60 in).

NOTICE

Do not adjust the free play of the lever to less than 5 mm (0.196 in).



(1) DUST COVER (A) DECREASE
(2) LOCK NUT (B) INCREASE
(3) ADJUSTER

Throttle Grip

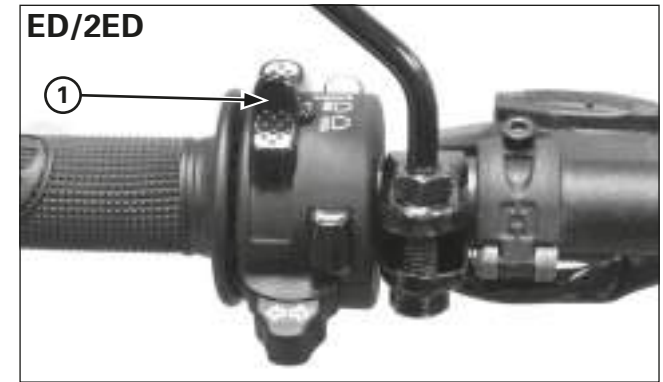
Throttle Grip Free Play

Standard throttle grip free play is approximately 3 mm (0.12 in) of grip rotation.

Adjustment is made with the integral throttle cable adjuster.

Slide the dust cover off from the integral cable adjuster. Turning the adjuster in direction “A” will decrease free play and turning it in direction “B” will increase free play. Tighten the lock nut after adjustment.

Operate the throttle grip to ensure that it functions smoothly and returns completely in all steering position.



(1) HEADLIGHT DIMMER SWITCH

Headlight dimmer switch

Turn the dimmer switch to **D** to select high beam or to **L** to select low beam.

Operating instructions

ED/2ED

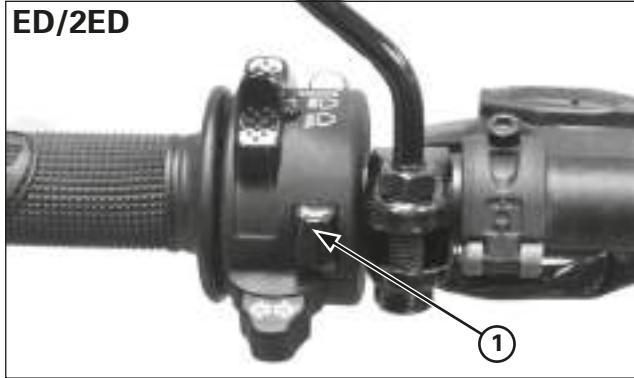


(1) TURN SIGNAL SWITCH

Turn signal switch

Move to ↵ to signal a left turn, ↘ to signal a right turn.
Press to turn signal off.

ED/2ED

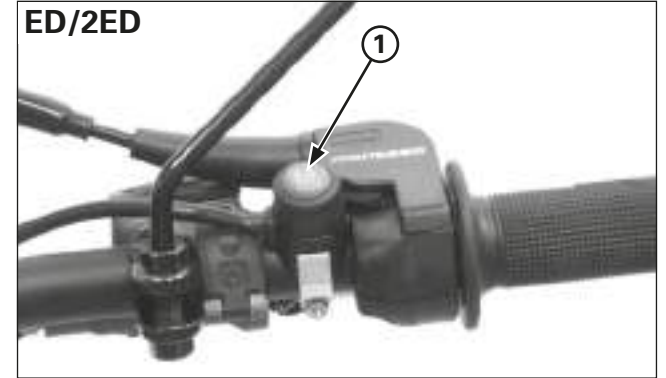


(1) HORN BUTTON

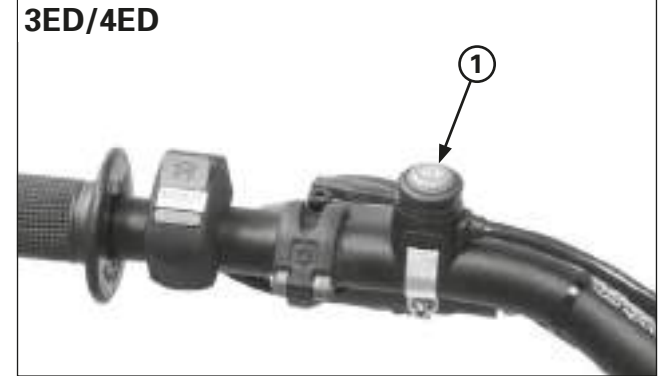
Horn button

Press the button to sound the horn.

ED/2ED



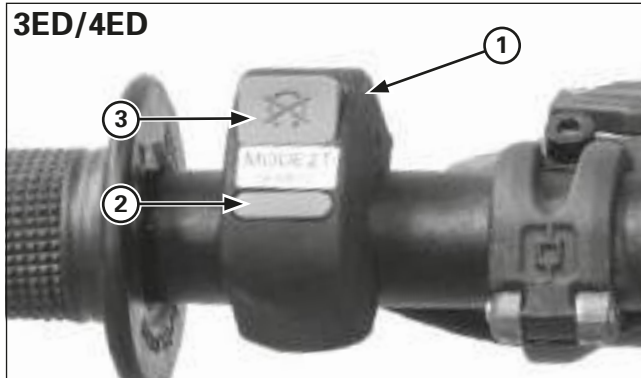
3ED/4ED



(1) ENGINE STOP BUTTON

Emergency engine stop

To stop the engine in an emergency, push and hold the engine stop button.



- (1) MAPPING SWITCH
- (2) MODE 1
- (3) MODE 2

Mapping switch

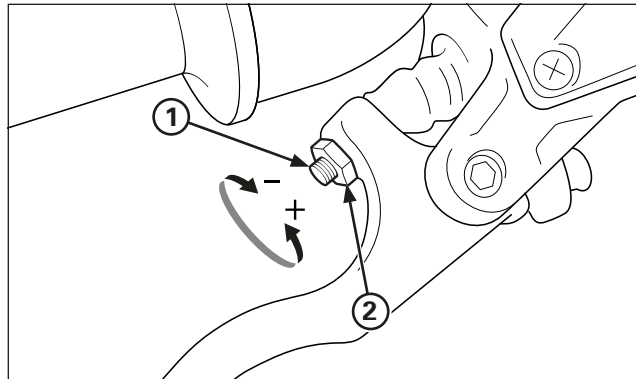
The ECU for the Cota 4RT260 (3ED/4ED) PGM-FI electronic injection system has two operational maps which can be selected depending on the conditions:

Switch in Mode 1:

Standard

Switch in Mode 2:

Powered



- (1) ADJUSTER
- (2) LOCK NUT

Front brake lever

The front brake lever free play can be adjusted by turning the adjuster.

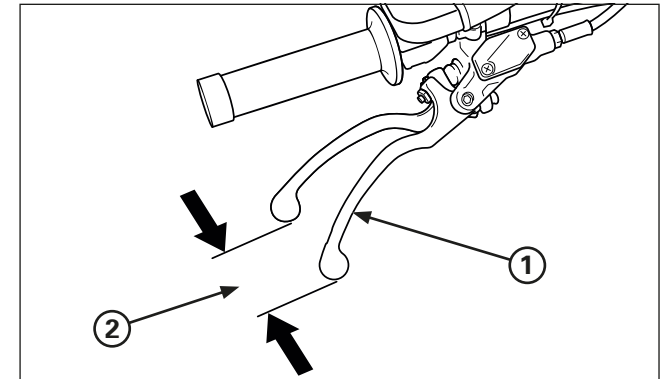
Free play must be adjusted to provide 0.5 – 1.5 mm (0.019 – 0.060 in) clearance between the end of the adjuster and the front brake master cylinder piston.

- To reduce free play, turn the adjuster clockwise, then tighten the lock nut securely.
- To increase free play, turn the adjuster counterclockwise, then tighten the lock nut securely.

If brake lever feels soft or spongy, there is probably air in the brake system and it must be bled.

NOTICE

Do not adjust the end of the adjuster and the front brake master cylinder piston below 0.5 mm (0.019 in).



- (1) FRONT BRAKE LEVER
- (2) FREE PLAY

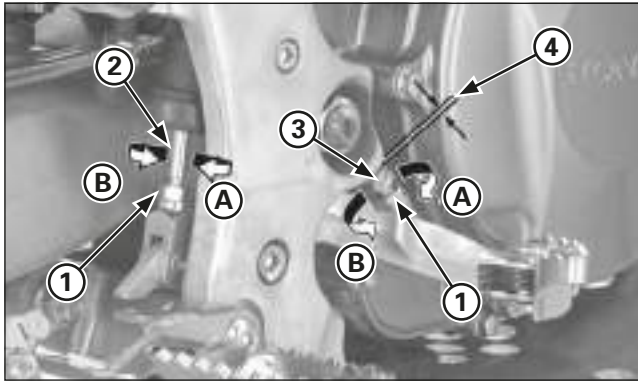
Front brake lever free play

Standard front brake lever free play should be between 0.5 – 15 mm (0.019 – 0.60 in).

NOTICE

Do not adjust the free play of the lever to less than 5 mm (0.196 in).

Operating instructions



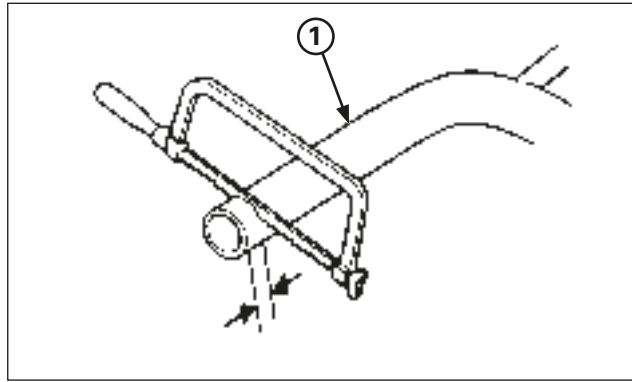
- (1) LOCK NUT
- (2) ROD
- (3) ADJUSTING BOLT
- (4) FREE PLAY

Brake pedal height

The brake pedal height can be adjusted to the rider's preference.

To adjust the rear brake pedal height:

1. Loosen the push rod lock nut and brake pedal adjusting bolt lock nut. Then turn the both adjusting bolts in direction "A" to raise the pedal, or in direction "B" to lower it.
2. Tighten the lock nuts at the desired pedal height.
3. After adjustment, check the brake pedal free play at the top of the pedal.
Make sure that the clearance between the front adjusting bolt and frame is at least 1 ~ 2 mm (0.04 ~ 0.08 in).



- (1) HANDLEBAR

Handlebar position, width and shape

Position the handlebar so that gripping the bar and operating the controls is comfortable while both seated and standing, while riding straight ahead and turning.

Handlebar width can be trimmed with a hacksaw to better your particular shoulder width and riding preference. Think this though carefully and cut off just a small amount at a time from both side equally. It is obviously much easier to make the handlebar narrower than it is to add material.

NOTICE

Chamfer the edges to remove burrs and other irregularities or roughness after shaping.

An alternate handlebar shape, through varying rise or rearward sweep dimensions, will provide further adjustment to riding position and may better suit your particular body size or riding style. Each of the ergonomic dimensions of the motorcycle were determined to suit the greatest possible number of riders based on an average size rider.

Specifications

Item	Specification
Dimensions	
Overall length	2,020 mm
Overall width	840 mm
Overall height	1,135 mm
Wheelbase	1,320 mm
Seat height	677 mm
Ground clearance	300 mm
Frame	
Type	Aluminium twin tube
Front suspension	Telescopic
Rear suspension	Swingarm PRO-LINK
Front tire	MICHELIN TRIAL COMPETITION (2,75-21 M/C 45L) / (2,75-21 M/C 45M)* DUNLOP D803FGP (80/100-21 M/C 51M)
Rear tire	MICHELIN TRIAL COMPETITION X11 (4.00 R18 M/C 64L) / (4.00 R18 M/C 64M)* DUNLOP D803GP (120/100R18 M/C 68M)
Front brake, diameter	Single disc, 184 mm
Rear brake, diameter	Single disc, 150 mm
Fuel capacity	2.0 ± 0.2 liter
Caster angle	24° 34'
Trail length	63 mm
Engine	
Type	Liquid cooled 4-stroke engine
Cylinder arrangement	Single cylinder, 3.5° inclined from vertical
Bore and stroke	78.0 x 54.2 mm
Displacement	259 cm ³
Compression ratio	10.5 : 1
Valve timing	
Intake valve opens	9° BTDC
Intake valve closes	27° ABDC
Exhaust valve opens	37° BBDC
Exhaust valve closes	5° ATDC
Lubrication system	Forced pressure and wet sump
Starting system	Primary kickstarter

Item	Specification
Fuel System	
Type	PGM-FI
Identification number	GQPMA (ED/2ED) GQPMB (3ED/4ED)
Throttle bore	29.4 mm
Drive Train	
Clutch operating system	Hydraulic operated
Clutch type	Wet, multi-plate
Transmission	5 speed constant mesh
Primary reduction	3.167 (57/18T)
Gear ratio	1st 2.800 (42/15T) 2nd 2.385 (31/13T) 3rd 2.000 (30/15T) 4th 1.273 (28/22T) 5th 0.815 (22/27T)
Final reduction	4.100 (41/10T)
Gearshift pattern	1 - N - 2 - 3 - 4 - 5
Electrical	
Alternator	Triple phase output alternator
Ignition system	PGM-IGN
Regulator type	SCR shorted/triple phase, full wave rectification

* Minimum speed rating "L"

Service data

Service data

Unit: mm (in)

Item	Specification
Lubrication	
Specified engine oil	Repsol 4T oil-stroke motorcycle oil SAE 10W-30 or equivalent
Engine oil capacity after draining	0.41 liter (0.43 US qt, 0.36 Imp qt)
after oil filter change	0.44 liter (0.46 US qt, 0.39 Imp qt)
after disassembly	0.60 liter (0.63 US qt, 0.53 Imp qt)
Specified transmission oil	REPSOL MOTO TRANSMISSION (75W) ELF HTX740 (75W)
Transmission oil capacity after draining	0.54 liter (0.57 US qt, 0.48 Imp qt)
after disassembly	0.57 liter (0.60 US qt, 0.50 Imp qt)
Fuel System	
Throttle body identification No.	GQPMA (ED/2ED) GQPMB (3ED/4ED)
Throttle grip free play	3 mm (0.1 in)
Engine idle speed	1,800 ± 100 min ⁻¹ (rpm)
Fuel pressure	314 - 382 kPa (3.2 - 3.9 kgf/cm ²) at idle
Fuel pump flow at 12 V	125 cm ³ minimum/10 seconds
Injector resistance	11.1 - 12.3 Ω (20° C/68° F)
Cooling System	
Recommended coolant	50/50 mixture coolant and distilled water
Radiator cap relief pressure	108 kPa (1.1 kgf/cm ²)

Item	Standard	Service limit
Cylinder Head/Valves		
Cylinder compression	1,300 kPa (13.2 kgf/cm ²)	-
Cylinder head warpage	-	0.05 (0.002)
Valve stem O.D.	IN 0.12 ± 0.03 (0.005 ± 0.001) EX 0.30 ± 0.03 (0.012 ± 0.001)	- -
	IX 4.475 - 4.490 (0.1762 - 0.1768) EX 4.465 - 4.480 (0.1758 - 0.1764)	4.470 (0.1760) 4.460 (0.1756)
Valve guide I.D.	IN/EX 4.500 - 4.512 (0.1772 - 0.1776)	4.552 (0.1792)
Valve stem-to-guide clearance	IN 0.010 - 0.037 (0.0004 - 0.0015) EX 0.020 - 0.047 (0.0008 - 0.0019)	- -
Valve guide projection above cylinder head	IN 8.0 - 8.3 (0.31 - 0.33) EX 8.2 - 8.5 (0.32 - 0.33)	- -
Valve spring free length	Inner 25.41 (1.000) Outer 28.32 (1.115)	24.9 (0.98) 27.6 (1.09)
Rocker arm I.D.	10.000 - 10.015 (0.3937 - 0.3943)	10.051 (0.3957)
Rocker arm shaft O.D.	9.972 - 9.987 (0.3926 - 0.3932)	9.925 (0.3907)
Rocker arm-to-shaft clearance	0.013 - 0.043 (0.0005 - 0.0017)	0.11 (0.04)
Cam lobe height	AD 32.011 - 33.051 (1.2603 - 1.3012) ES 32.855 - 32.935 (1.2935 - 1.2967)	31.871 (1.2548) 32.748 (1.2893)

Unit: mm (in)

Item		Standard	Service limit
Cylinder/Piston			
Cylinder	I.D	78.000 – 78.015 (3.0709 - 3.0715)	78.04 (3.0724)
	Taper	–	0.05 (0.002)
	Out-of- round	–	0.05 (0.002)
	Warpage	–	0.05 (0.002)
Piston	O.D.	77.970 – 77.980 (3.0696 - 3.07008)	77.89 (3.0665)
	Measurement point	5 (0.2) from bottom of skirt	–
	Pin bore I.D.	16.002 – 16.008 (0.6300 – 0.6302)	16.03 (0.631)
Piston pin	O.D.	15.994 – 16.000 (0.6297 – 0.6299)	15.98 (0.629)
Piston ring End gap			
	Top	0.15 – 0.25 (0.008 - 0.0098425)	0.39 (0.01535)
	Second	0.30 – 0.45 (0.012 - 0.0018)	0.59 (0.02323)
	Oil (side rail)	0.20 – 0.70 (0.008 – 0.028)	0.90 (0.0354)
Ring-to-groove clearance			
	Top	0.065 – 0.100 (0.0026 – 0.0039)	0.115 (0.0045)
	Second	0.015 – 0.050 (0.0006 – 0.0020)	0.065 (0.0026)
Cylinder-to-piston clearance		0.020 – 0.045 (0.0008 – 0.0018)	0.18 (0.007)
Piston-to-piston pin clearance		0.002 – 0.014 (0.0001 – 0.0006)	0.04 (0.002)
Connecting rod small end I.D.		16.016 – 16.034 (0.6305 – 0.6313)	16.04 (0.631)
Clutch/Gearshift Linkage			
Recommended clutch fluid		DOT 4 brake fluid	–
Clutch spring free length		27.6 (1.09)	26.8 (1.06)
Clutch disc thickness		3.22 – 3.38 (0.127 – 0.133)	3.15 (0.124)
Clutch plate warpage		–	0.10 (0.004)
Clutch slave cylinder I.D.		27.000 – 27.021 (1.0630 – 1.0638)	–
Clutch slave piston O.D.		26.940 – 26.960 (1.0606 – 1.0614)	–
Kickstarter	Spindle O.D.	16.466 – 16.484 (0.6483 – 0.6490)	16.46 (0.648)
	Pinion gear I.D.	16.516 – 16.534 (0.6502 – 0.6509)	16.55 (0.652)
	Idle gear I.D.	17.016 – 17.034 (0.6699 – 0.6706)	17.06 (0.672)
	Countershaft O.D. at kickstarter idle gear	16.983 – 16.994 (0.6686 – 0.6691)	16.97 (0.668)

Unit: mm (in)

Item		Standard	Service limit
Crankshaft/Transmission			
Crankshaft runout	Right	–	0.03 (0.001)
	Left	–	0.05 (0.002)
Connecting rod big end			
Side clearance		0.30 – 0.75 (0.012 – 0.030)	0.8 (0.03)
Radial clearance		0.06 – 0.18 (0.002 – 0.007)	0.05 (0.002)
Transmission gear I.D.	M4	23.020 – 23.041 (0.9063 – 0.9071)	23.07 (0.908)
	M5	23.020 – 23.041 (0.9063 – 0.9071)	23.07 (0.908)
	C1	20.020 – 20.041 (0.7882 – 0.7890)	20.06 (0.790)
	C2	25.020 – 25.041 (0.9850 – 0.9859)	25.06 (0.987)
	C3	25.020 – 25.041 (0.9850 – 0.9859)	25.06 (0.987)
Gear bushing D.I.	M5	20.000 – 20.021 (0.7866 – 0.7882)	20.05 (0.789)
	C1	17.000 – 17.018 (0.6693 – 0.6700)	17.04 (0.671)
	C2	22.000 – 22.021 (0.8661 – 0.8670)	22.04 (0.868)
	C3	22.000 – 22.021 (0.8661 – 0.8670)	22.04 (0.868)
O.D.	M4	22.979 – 23.000 (0.9047 – 0.9055)	22.96 (0.904)
	M5	22.979 – 23.000 (0.9047 – 0.9055)	22.96 (0.904)
	C1	19.979 – 20.000 (0.7866 – 0.7874)	19.95 (0.785)
	C2	24.979 – 25.000 (0.9834 – 0.9843)	24.95 (0.982)
	C3	24.979 – 25.000 (0.9834 – 0.9843)	24.95 (0.982)
Countershaft O.D.			
at C1 bushing		16.983 – 16.994 (0.6686 – 0.6691)	16.97 (0.668)
at C2/C3 bushing		21.959 – 21.980 (0.8645 – 0.8654)	21.94 (0.864)
at kickstarter idle gear		16.983 – 16.994 (0.6686 – 0.6691)	16.97 (0.668)
Shift fork I.D.	C	11.003 – 11.024 (0.4332 – 0.4330)	11.04 (0.435)
	R, L	12.035 – 12.056 (0.4738 – 0.4746)	12.07 (0.475)
Shift fork claw thickness	C	4.93 – 5.00 (0.194 – 0.197)	4.8 (0.19)
	R, L	4.93 – 5.00 (0.194 – 0.197)	4.8 (0.19)
Shift fork shaft O.D.	C	10.983 – 10.994 (0.4324 – 0.4328)	10.97 (0.432)
	R, L	11.966 – 11.984 (0.4711 – 0.4718)	11.95 (0.470)
Oil pump			
Tip clearance		–	0.20 (0.008)
Body clearance		0.15 – 0.20 (0.006 – 0.008)	–
Side clearance		0.05 – 0.12 (0.002 – 0.004)	–

Service data

Unit: mm (in)

Item	Standard	Service Limit
Wheels/Tires		
Axle runout		0.20 (0.008)
Tire air pressure		
For road use	100 kPa (1.01 kgf/cm ²)	-
Competition use only		
Front	39 – 44 kPa (0.40 – 0.45 kgf/cm ²)	-
Rear	29 – 34 kPa (0.30 – 0.35 kgf/cm ²)	-
Wheel rim runout		
Radial	-	2.0 (0.08)
Axial	-	2.0 (0.08)
Drive chain slack	25 – 35 (1.0 – 1.4)	-
Drive chain slider thickness	-	2.0 (0.08) from upper surface
Front Suspension TECH (ED/3ED)		
Left fork spring free length	390 (15.35)	382 (15.04)
Fork tube runout	0.35 – 0.50 (0.014 – 0.020)	0.20 (0.008)
Recommended fork fluid	OJ Racing Special Fork Oil Type 01 (SAE 5W) or equivalent	
Pre-load adjuster setting	5 ± 0.5 turns out from full soft	-
Damping adjuster setting	Tension adjuster: 20 ± 2 clicks from full hard	-
Fork oil level		
Right	50 (1.96)	-
Left	100 (3.93)	-
Fork oil capacity		
Right	400 cm ³	-
Left	410 cm ³	-

Unit: mm (in)

Item	Standard	Service Limit
Front Suspension SHOWA (2ED/4ED)		
Left fork spring free length	384.8 (15.14)	377.1 (14.85)
Fork tube runout	0.35 – 0.50 (0.014 – 0.020)	0.20 (0.008)
Recommended fork fluid	Showa SS05 (SAE 5W) or equivalent	
Pre-load adjuster setting	7 ± 0.5 turns out from full soft	-
Damping adjuster setting	Compression adjuster: 17 ± 2 clicks from full hard Tension adjuster: 20 ± 2 clicks from full hard	0.065 (0.0026) - 0.04 (0.002) -
Fork oil level		
Right	38 (1.5)	-
Left	87 (3.4)	-
Fork oil capacity		
Right	405 cm ³	-
Left	410 cm ³	-

Unit: mm (in)

Item	Standard	Service Limit
Rear Suspension R16V (ED/3ED)		
Shock absorber spring pre-load	126 (4.96)	-
Spring free length	130 (5.1)	-
Tension adjuster setting	12 ± 2 clicks from full hard	-
Rear Suspension SHOWA (2ED/4ED)		
Shock absorber spring pre-load	126.5 (4.98)	-
Spring free length	133 (5.2)	130.3 (5.13)
Nitrogen gas pressure	1.27 Mpa (13 kgf/cm ²)	-
Tension adjuster setting	10 ± 2 clicks from full hard	-
Brakes (ED/3ED)		
Recommended brake fluid	DOT 4 brake fluid	-
Front Brake disc thickness	3.5 (0.14)	3.0 (0.12)
Front Brake disc runout	-	0.15 (0.006)
Rear Brake disc thickness	2.5 (0.10)	2.0 (0.08)
Rear Brake disc runout	-	0.15 (0.006)
Brakes (2ED/4ED)		
Recommended brake fluid	DOT 4 brake fluid	-
Front Brake disc thickness	3.0 (0.12)	2.5 (0.10)
Front Brake disc runout	-	0.15 (0.006)
Rear Brake disc thickness	3.0 (0.12)	2.5 (0.10)
Rear Brake disc runout	-	0.15 (0.006)

Unit: mm (in)

Item	Standard	Service Limit
Electrical		
Spark plug Standard:	NGK: CR6EH-9	-
Spark plug gap	0.80 – 0.90 (0.031 – 0.035)	-
Ignition coil resistance		
Primary	2.6 -3.2 Ω (20° C)	-
Secondary with plug cap	17.3 -22.8 kΩ (20° C)	-
Secondary without plug cap	13.5 – 16.5 KΩ (20° C)	-
Ignition pulse generator		
Resistance	85 -115 Ω (20° C)	-
Alternator		
Regulated voltage	13.5 – 14.5 V/1.800 min-1 (rpm)	-
Charging coil resistance	0.7 -1.0 Ω (20° C)	-
ECT sensor resistance	2.3 -2.6 kΩ (20° C)	-
Bulbs		
Headlight	12V – 35/35 W	-
Position light	12V – 4 W	-
Brake/tail light	12V – 21/5 W	-
Turn signal light	12V – 10 W X 4	-
Speedometer	12V	-

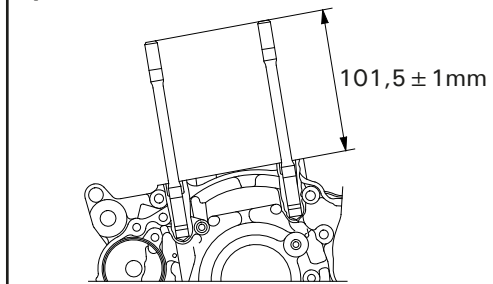
Service data

Torque Values

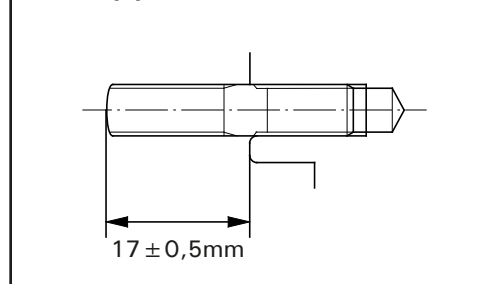
Standard

Item	Torque N·m (kgf·m / lbf·ft)
5 mm bolt and nut	5 (0.52 / 3.5)
6 mm bolt and nut	10 (1.0 / 7)
8 mm bolt and nut	22 (2.2 / 16)
10 mm bolt and nut	33 (3.4 / 25)
12 mm bolt and nut	53 (5.4 / 40)
5 mm screw	4 (0.42 / 3)
6 mm screw and flange bolt (SH type)	9 (0.9 / 7)
6 mm flange bolt and nut	12 (1.2 / 9)
8 mm flange bolt and nut	26 (2.7 / 20)
10 mm flange bolt and nut	38 (3.9 / 29)

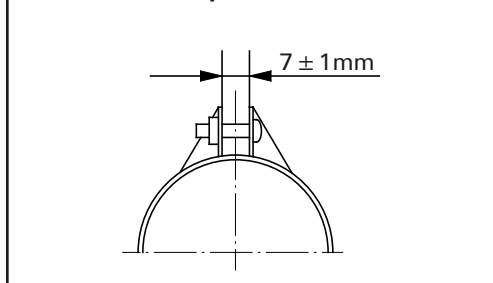
Cylinder stud bolt:



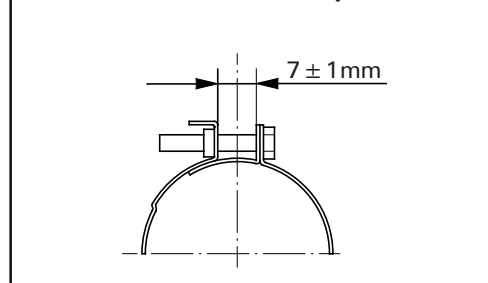
Exhaust pipe stud bolt:



Insulator band (cylinder head side):



Insulator band (throttle body side):



Engine

Item	Q'ty	Thread Dia. (mm)	Torque N·m (kgf·m / lbf·ft)	Remarks
Transmission oil drain bolt	1	8	22 (2.2 / 16)	Note 1
Engine oil drain bolt	1	8	22 (2.2 / 16)	Note 1
Right crankcase cover joint pipe	1	18	18 (1.8 / 13)	Note 2
Timing hole cap	1	14	7 (0.7 / 5.1)	Note 3
Bearing set plate socket bolt	4	6	9.8 (1.0 / 7)	Note 4
Bearing set plate screw	2	6	12 (1.2 / 9)	Note 4
Bearing set plate flat screw	2	6	9.8 (1.0 / 7)	Note 4
Cylinder head sealing bolt	1	12	32 (3.3 / 24)	Note 4
Cylinder head mounting nut	2	9	39 (4.0 / 29)	Note 1
Cylinder head joint pipe	1	18	18 (1.8 / 13)	Note 2
Vacuum port joint	1	5	2.5 (0.25 / 1.8)	
Primary drive gear special bolt	1	12	108 (11.0 / 80)	Note 1
Flywheel nut	1	18	167 (17.0 / 123)	Note 1
Cam chain tensioner bolt	1	6	12 (1.2 / 9)	Note 4
Valve clearance adjusting nut	4	6	14 (1.4 / 10)	Note 1
Injector holder socket bolt	2	6	9.8 (1.0 / 7)	
Fuel hose banjo bolt (holder side)	1	18	24 (2.4 / 17.7)	
Water pump impeller	1	7	12 (1.2 / 9)	
Clutch oil bleeder screw	1	8	6 (0.6 / 4.3)	
Clutch spring bolt	6	6	12 (1.2 / 9)	
Clutch center lock nut	1	18	69 (7.0 / 51)	Note 1
Drive sprocket UBS bolt	1	8	31 (3.2 / 23)	
Shift drum center special bolt	1	8	22 (2.2 / 16)	Note 4
Shift drum stopper arm bolt	1	6	12 (1.2 / 9)	
Shift return spring pin	1	8	22 (2.2 / 16)	
Ignition pulse generator bolt	2	5	5.4 (0.55 / 4.0)	Note 4
Stator mounting bolt	3	5	5.4 (0.55 / 4.0)	Note 4
Spark plug	1	10	16 (1.6 / 12)	Note 2

- Notes:
1. Apply clean engine oil to the threads and seating surface.
 2. Apply sealant to the threads.
 3. Apply grease to the threads.
 4. Apply a locking agent to the threads.

Frame

Item	Q'ty	Thread Dia. (mm)	Torque N·m (kgf·m, lbf·ft)	Remarks
Handlebar holder bolt	4	8	22 (2.2 / 16)	Note 1
Front axle	1	17	69 (7.0 / 51)	Note 1
Rear axle nut	1	17	69 (7.0 / 51)	Note 1
Final driven sprocket nut	4	8	32.5 (3.3 / 23.9)	
Shock absorber:				
Upper mounting bolt/nut	1	10	39 (4.0 / 29)	
Lower mounting bolt/nut	1	10	39 (4.0 / 29)	
Fork top pinch bolt	2	8	21 (2.1 / 15.4)	Note 1
Fork bottom pinch bolt	4	8	21 (2.1 / 15.4)	Note 1
Swingarm pivot nut	1	14	69 (7.0 / 51)	Note 1
Front brake disc mounting bolt	4	6	19 (1.9 / 14)	Note 2
Rear brake disc mounting bolt	4	6	17 (1.7 / 12.5)	Note 2
Side stand pivot nut	1	10	23 (2.3 / 17)	
Side stand bracket mounting bolt	2	8	27 (2.8 / 20)	Note 2
Exhaust pipe flange nut	2	6	12 (1.2 / 9)	
Engine hanger:				
Upper hanger bolt/nut	2	8	24 (2.4 / 17)	
Front hanger bolt	1	10	50 (5.1 / 37)	Note 1
Down tube mounting bolt	4	8	26 (2.7 / 19)	Note 1
Rear lower bolt	1	10	39 (4.0 / 29)	Note 1
Skid plate:				
Front mounting bolt	4	8	27 (2.8 / 20)	
Throttle housing bolt	2	5	4.2 (0.43 / 3.1)	
Clutch lever holder bolt	2	5	5.5 (0.56 / 4)	
Front brake master cylinder holder bolt	2	5	5.5 (0.56 / 4)	
Front brake caliper mounting bolt	2	8	27 (2.8 / 20)	Note 2
Brake hose:				
Front master cylinder	1	10	14 (1.4 / 10.3)	
Front caliper	1	8	20 (2.0 / 14)	
Rear master cylinder	1	10	26 (2.7 / 19)	
Rear brake caliper	1	10	26 (2.7 / 19)	

Frame

Item	Q'ty	Thread Dia. (mm)	Torque N·m (kgf·m, lbf·ft)	Remarks
Brake pedal pivot bolt	1	8	29 (3.0 / 22)	Note 2
Steering head top thread	1	26	5 (0.5 / 3.6)	Note 1
Steering stem nut	1	20	99 (9.9 / 73)	Note 1
Clutch hose (master cylinder)	1	10	14 (1.4 / 10.3)	
Clutch hose (secondary cylinder)	1	10	26 (2.7 / 20)	
Rear master cylinder mounting bolt	2	6	9 (0.8 / 6.6)	
ECT sensor	1	12	23 (2.3 / 17)	
Fuel hose banjo bolt	1	12	22 (2.2 / 16)	
Fuel pump mounting bolt	7	5	8 (0.8 / 5.9)	
Front spoke nipple	32	BC 3.5	3.7 (0.38 / 2.8)	
Rear spoke nipple	32	4	2.5 (0.26 / 1.9)	
Shock absorber spring lock nut (2ED/4ED)	1	50	49 (5.0 / 36)	
Shock arm bolt/nut	1	10	39 (4.0 / 29)	
Shock link bolt/nut	2	10	39 (4.0 / 29)	
Rim lock nut	1	8	13 (1.3 / 9)	
Fork cap (ED/3ED)	2	36	13 (1.3 / 9)	
Fork cap (2ED/4ED)	2	36	22 (2.2 / 1.6)	
Right fork adjuster case lock nut	1	10	15 (1.5 / 11)	
Right fork lower bolt (ED/3ED)	1	14	25 (2.6 / 18.4)	
Right fork lower bolt (2ED/4ED)	1	14	34 (3.5 / 25)	
Left fork lower bolt (ED/3ED)	1	14	25 (2.6 / 18.4)	
Left fork lower bolt (2ED/4ED)	1	15	34 (3.5 / 25)	

- Notes: 1. Apply grease to the sliding surface.
2. Apply a locking agent to the threads.

Service data

Tools

Special

Description	Tool number	Applicability
Bearing remover, 12 mm Remover shaft Remover weight	Generic tool 07936-1660120 07741-0010201	Water pump bearing
Water seal driver	07945-KA30000	Water seal
Attachment, 28 x 30 mm	07946-1870100	Water pump bearing
Clutch center holder	07JMB-MN50302	Clutch center lock nut
Fork seal driver set	07947-4630100	Fork oil seal
Fork damper holder	89515-NN3-821	Right fork socket bolt
Fork damper holder	07930-KA50100	Left fork socket bolt
Ball race remover	07948-4630100	Stem bearing race
Steering stem driver	Generic tool	Stem lower bearing
Bearing driver	07946-KA50000	Swingarm pivot bearing
Bearing remover	07946-MJ00100	Shock link needle bearing Swingarm link bearing
Spherical bearing driver	07HMF-KS60100	Shock absorber bearing
Snap ring pliers	07914-SA50001	Master cylinder snap ring
Flywheel holder	89020-NN4-003	Flywheel
Flywheel puller	Generic tool	Flywheel
Compressor attachment	07959-MB10000	Shock absorber spring
PGM-FI warning unit assembly	38890-NN4-306	PGM-FI Self-diagnosis system
Test probe	07ZAJ-RDJA110	PGM-FI Self-diagnosis system
Diagnostic tool adapter	070MZ-K530101	PGM-FI Self-diagnosis system
Diagnostic tool (DST)	Generic tool	PGM-FI Self-diagnosis system

Common

Description	Tool number	Applicability
Spoke nipple wrench	07701-0020300	Front spoke nipple
Gear holder	07724-0010100	Primary drive gear bolt
Bearing remover head	07746-0050600	Wheel bearing
Bearing remover shaft	07746-0050100	Wheel bearing
Driver	07749-0010000	Bearing removal/installation
Attachment, 24 x 26 mm	07746-0010700	Swingarm pivot bearing
Attachment, 32 x 35 mm	07746-0010100	Right countershaft bearing Left mainshaft bearing
Attachment, 37 x 40 mm	07746-0010200	Left shift drum bearing
Attachment, 42 x 47 mm	07746-0010300	Right mainshaft bearing Left countershaft bearing Right shift drum bearing Wheel bearing Ball race
Attachment, 52 x 55 mm	07746-0010400	Crankshaft oil seal
Attachment, 62 x 68 mm	07746-0010500	Left crankshaft bearing
Attachment, 72 x 75 mm	07746-0010600	Right crankshaft bearing
Pilot, 12 mm	07746-0040200	Water pump bearing
Pilot, 17 mm	07746-0040400	Right countershaft bearing Left mainshaft bearing
Pilot, 20 mm	07746-0040500	Left countershaft bearing Wheel bearing Swingarm pivot bearing
Pilot, 22 mm	07746-0041000	Right mainshaft bearing
Pilot, 25 mm	07746-0040600	Right shift drum bearing
Pilot, 30 mm	07746-0040700	Right crankshaft bearing
Pin spanner	07702-0020001	Shock spring adjuster (2 required)
Shock absorber compressor	07GME-0010100	Shock absorber spring

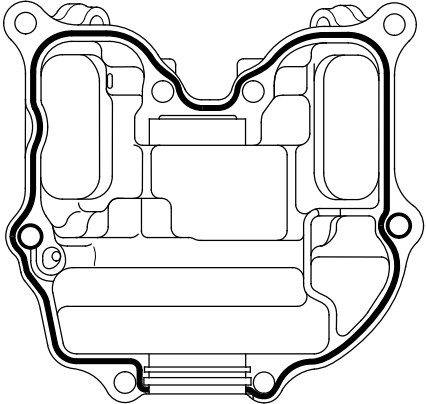
Lubrication & Seal Points

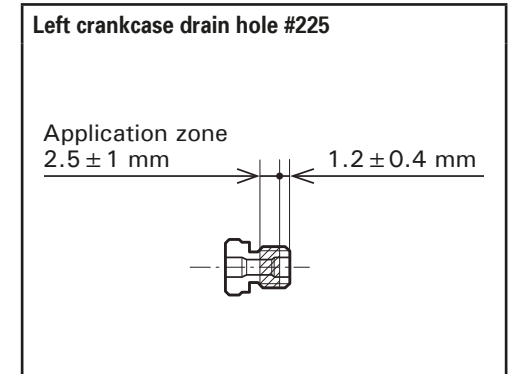
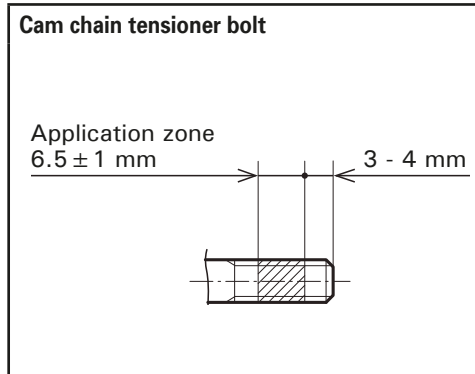
Engine

Item	Material	Remarks
Crankcase sealing bolt threads and seating surface	Repsol 4T-stroke engine oil	
Cylinder bore inner surface		
Cylinder head nut threads and seating surface		
Piston inner area, piston pin area		
Piston pin outer surface		
Piston ring surface		
Crankshaft oil seal lips		
Decompressor weight sliding surface		
Valve adjusting nut threads		
Oil pump rotor sliding surface		
Clutch outer sliding surface		
Clutch friction disc surface		
Clutch center nut threads and seating surface		
Clutch lifter piece needle bearing area		
Primary drive gear bolt threads and seating surface		
Shift drum grooves		
Gearshift spindle serration		
Flywheel nut threads and seating surface		
Each bearing		
Each O-ring		
Crankcase inside (transmission oil)	REPSOL MOTO TRANSMISSION (75W) ELF HTX740 (75W)	570 cm ³
Crankcase inside (engine oil)	Repsol 4T-stroke engine oil 10W-30 or equivalent	600 cm ³

Item	Material	Remarks		
Connecting rod small end I.D.	Molybdenum oil solution (A 50/50 mixture of molybdenum disulfide grease and engine oil)			
Connecting rod big end				
Camshaft outer surface				
Rocker arm I.D.				
Valve stem sliding surface				
Valve stem end sliding surface				
Clutch outer collar sliding surface				
Mainshaft spline and gear sliding surface				
Countershaft spline and gear sliding surface				
Shift fork I.D. and gear contact area				
Shift fork shaft surface				
Kickstarter spindle spline area and gear sliding surface				
Each gear				
Right crankshaft bearing set plate bolt threads			Locking agent	6.5 ± 1 mm
Right mainshaft bearing/shift drum bearing set plate bolt threads				
Left countershaft bearing set plate bolt threads	3.5 ± 1 mm			
Left crankcase sealing bolt threads	6.5 ± 1 mm			
Cylinder mounting bolt threads				
Cylinder head sealing bolt threads				
Cam chain tensioner bolt threads				
Shift drum center bolt threads	6.5 ± 1 mm			
Ignition pulse generator bolt threads				
Stator mounting bolt threads				

Service data

Item	Material	Remarks
Clutch slave cylinder piston/O-ring	Silicone grease	
Left crankcase cover cap threads	Lithium based multipurpose grease	
Each oil seal lips		
Water seal lips		
Right crankcase and cylinder head cover water hose joint thread	Sealant	
Cylinder head cover mating surface	Three Bond 1207B or equivalent	
		



Wheel

Item	Material	Remarks
Rear wheel nipple	Locking agent Candar C73R	Only versions (ED/3ED)

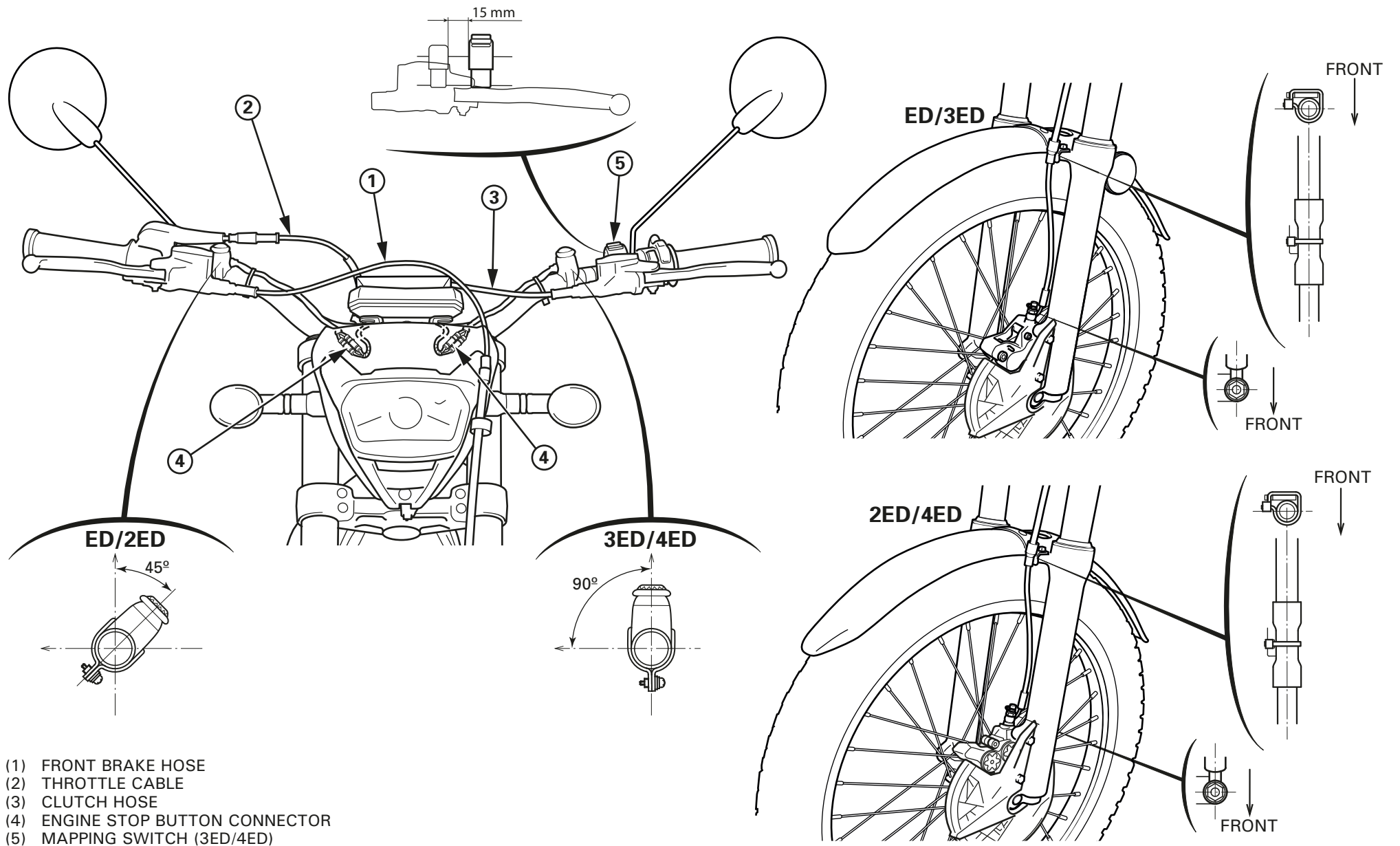
Frame

Item	Material	Remarks
Steering head bearing race and bearings	Multi-purpose grease	
Steering head dust seal lips		
Swingarm pivot needle bearing		
Swingarm pivot dust seal lips		
Shock link/shock arm needle bearings		
Shock link/shock arm dust seal lips		
Kickstarter arm joint sliding		
Brake lever pivot sliding surface		
Side stand pivot sliding surface		
Brake pedal pivot sliding surface		
Chain tensioner roller bearings		
Clutch lever pivot sliding surface		
Front and rear wheel axle thread		
Step joint pin surface		
Throttle pipe sliding surface and throttle wire drum	4-stroke engine oil	
Brake hydraulic system inside	DOT 4 brake fluid	
Clutch hydraulic system inside		
Air cleaner element	Specific oil for air filters	
Throttle cable sliding surface	Cable lubricant	
Handlebar grip	Honda bond A or equivalent	

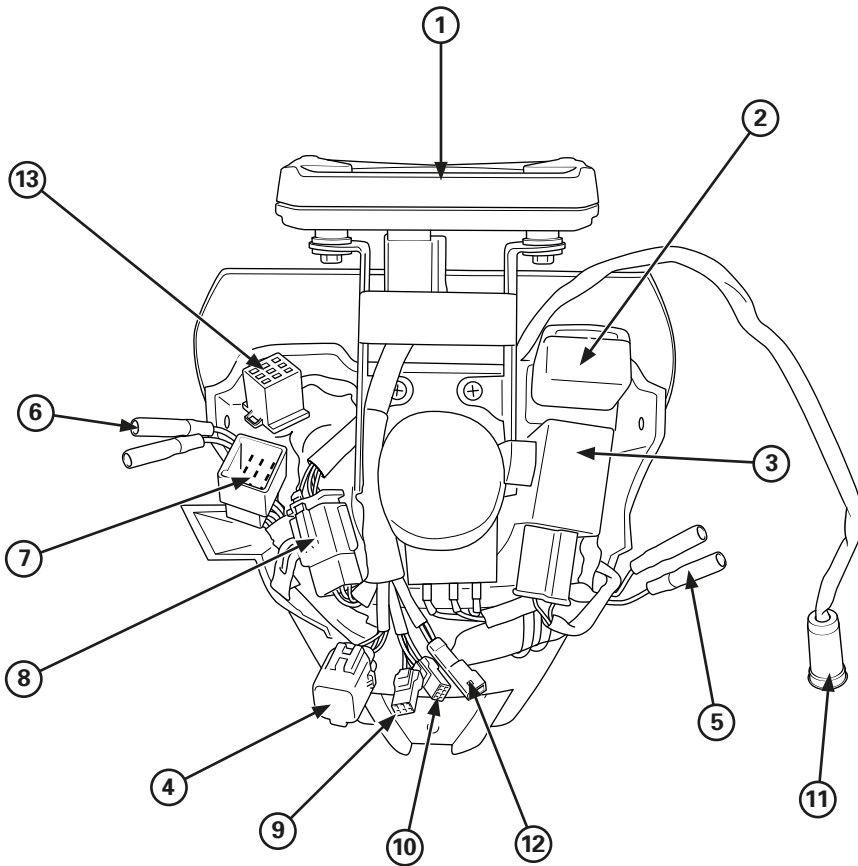
Item	Material	Remarks
Drive chain adjuster stopper screws threads	Locking agent	
Side stand bracket bolt threads		
Drive chain slider mounting screw threads		
Rear brake hose clamp screw threads		
Cooling fan screws threads		

Service data

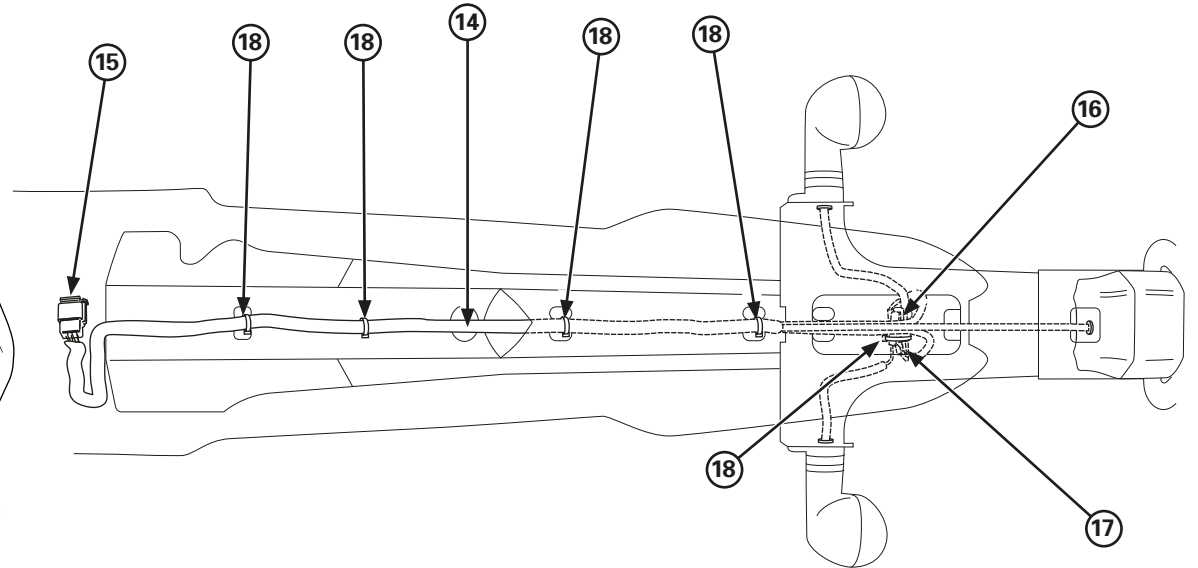
Cable & Harness Routing



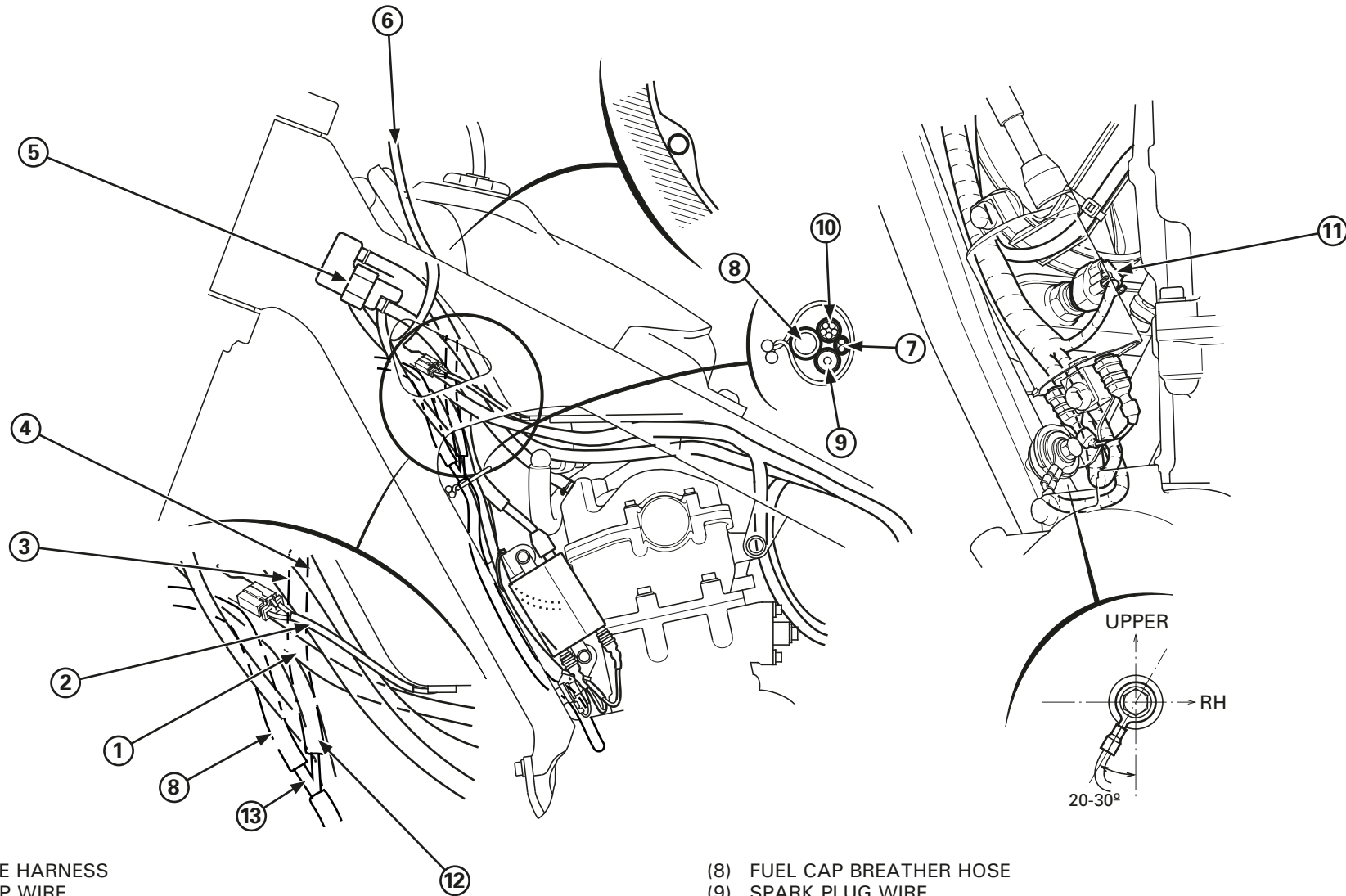
- (1) FRONT BRAKE HOSE
- (2) THROTTLE CABLE
- (3) CLUTCH HOSE
- (4) ENGINE STOP BUTTON CONNECTOR
- (5) MAPPING SWITCH (3ED/4ED)



- (1) SPEEDOMETER
- (2) POWER RELAY
- (3) WINKER RELAY
- (4) 4P CONNECTOR OBD
- (5) RIGHT FRONT TURN SIGNAL CONNECTORS
- (6) LEFT FRONT TURN SIGNAL CONNECTORS
- (7) 9P CONNECTOR SUB-INSTALLATION
- (8) 6P CONNECTOR SPEEDOMETER
- (9) 3P CONNECTOR SPEED SENSOR
- (10) 4P CONNECTOR MIL
- (11) FRONT STOP SWITCH CONNECTOR
- (12) 2P CONNECTOR (INACTIVE)
- (13) 9P CONNECTOR LIGHTING SWITCH

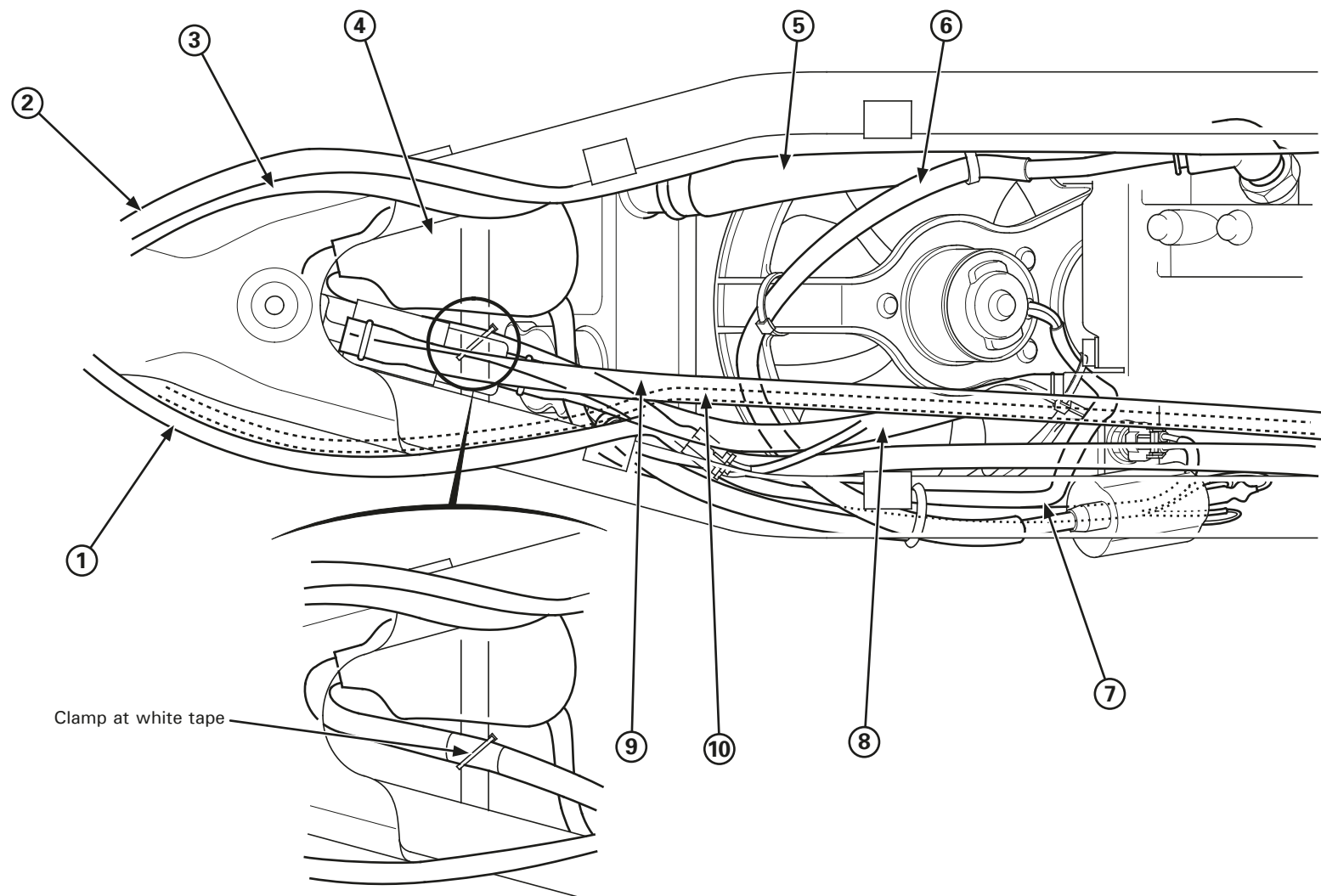


- (14) INDICATOR LIGHT INSTALLATION
- (15) INDICATOR LIGHT INSTALLATION CONNECTOR
- (16) RIGHT REAR TURN SIGNAL CONNECTORS
- (17) LEFT REAR TURN SIGNAL CONNECTORS
- (18) CLAMPS



- (1) MAIN WIRE HARNESS
- (2) FUEL PUMP WIRE
- (3) CYLINDER HEAD BREATHER HOSE
- (4) AIR FILTER BOX BREATHER HOSE
- (5) STORAGE TANK
- (6) ENGINE STOP SWITCH WIRE
- (7) FAN MOTOR WIRE

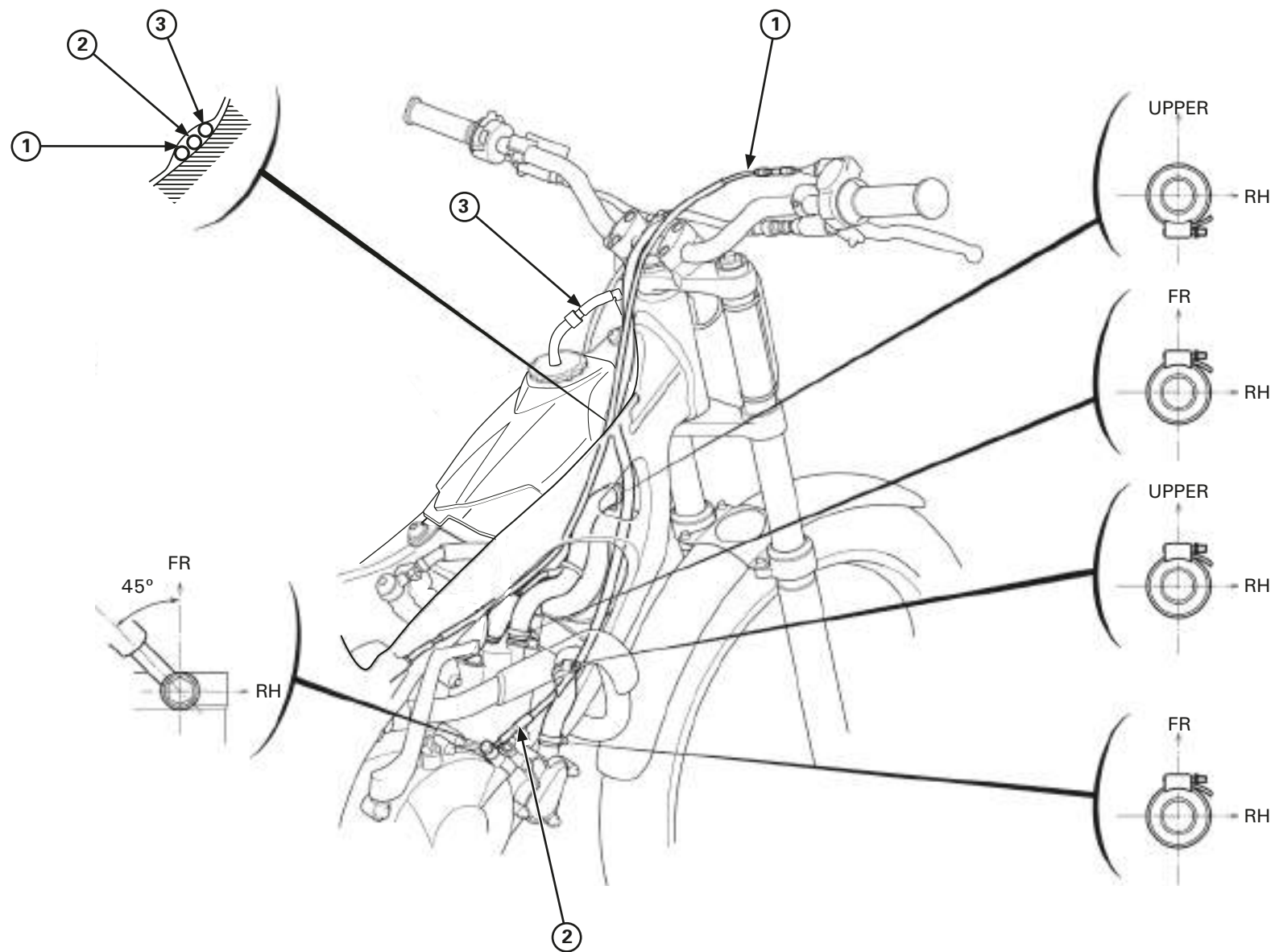
- (8) FUEL CAP BREATHER HOSE
- (9) SPARK PLUG WIRE
- (10) WIRE HARNESS (TO IGNITION COIL)
- (11) ECT SENSOR
- (12) FUEL TANK BREATHER HOSE (ED/2ED)
- (13) HOSE CONNECTOR (ED/2ED)



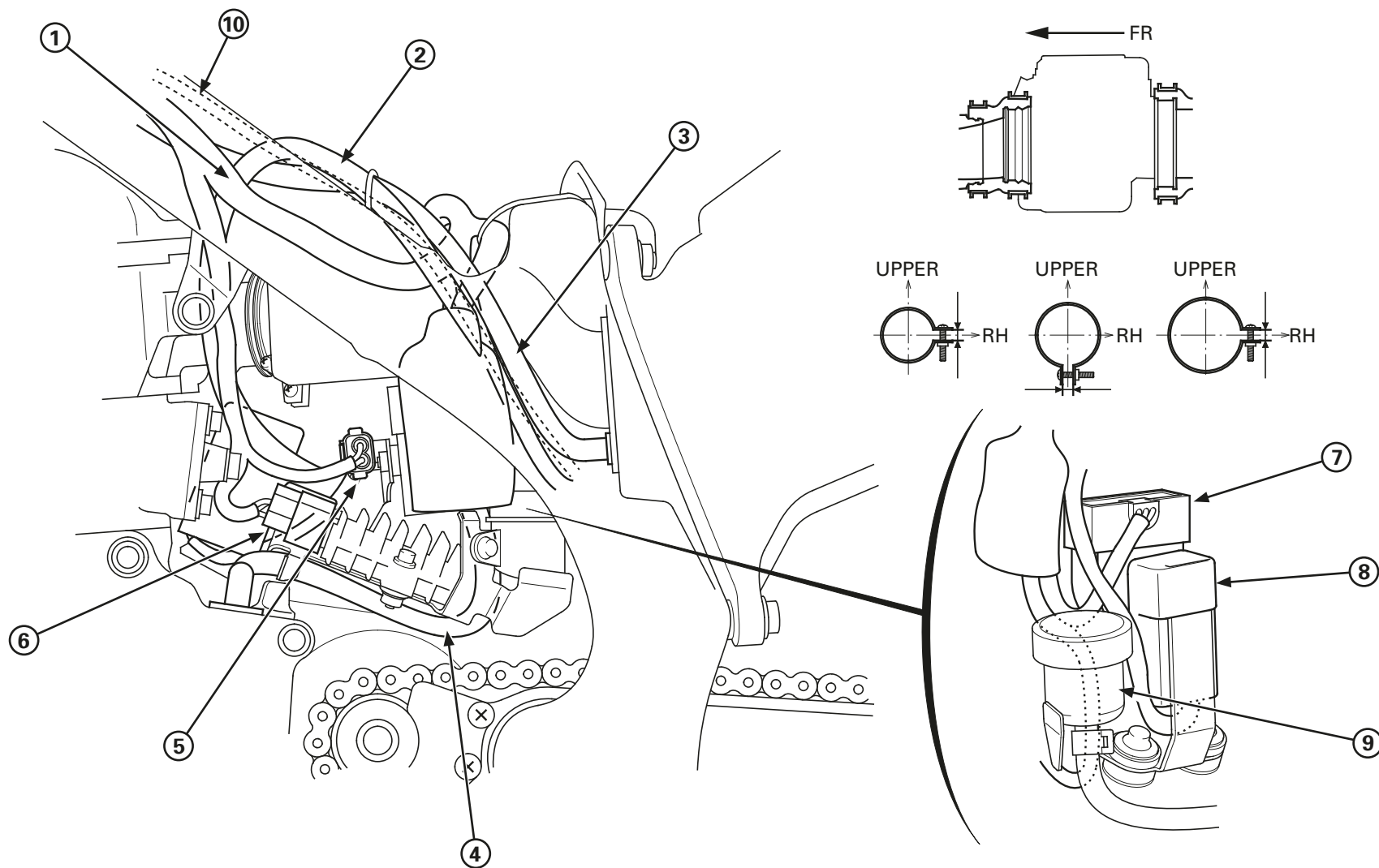
- (1) WIRE HARNESS
- (2) THROTTLE CABLE
- (3) CLUTCH HOSE
- (4) CONNECTORS BOOT
 - FAN MOTOR 2P CONNECTOR
 - POWER / MAPS 4P CONNECTOR
 - COOLANT TEMPERATURE 2P CONNECTOR (ED/2ED)

- (5) UPPER RADIATOR HOSE
- (6) SPARK PLUG WIRE
- (7) FAN MOTOR WIRE
- (8) FILTER BOX BREATHER HOSE
- (9) CYLINDER HEAD BREATHER HOSE
- (10) SPEED SENSOR CABLE (ED/2ED)

Service data

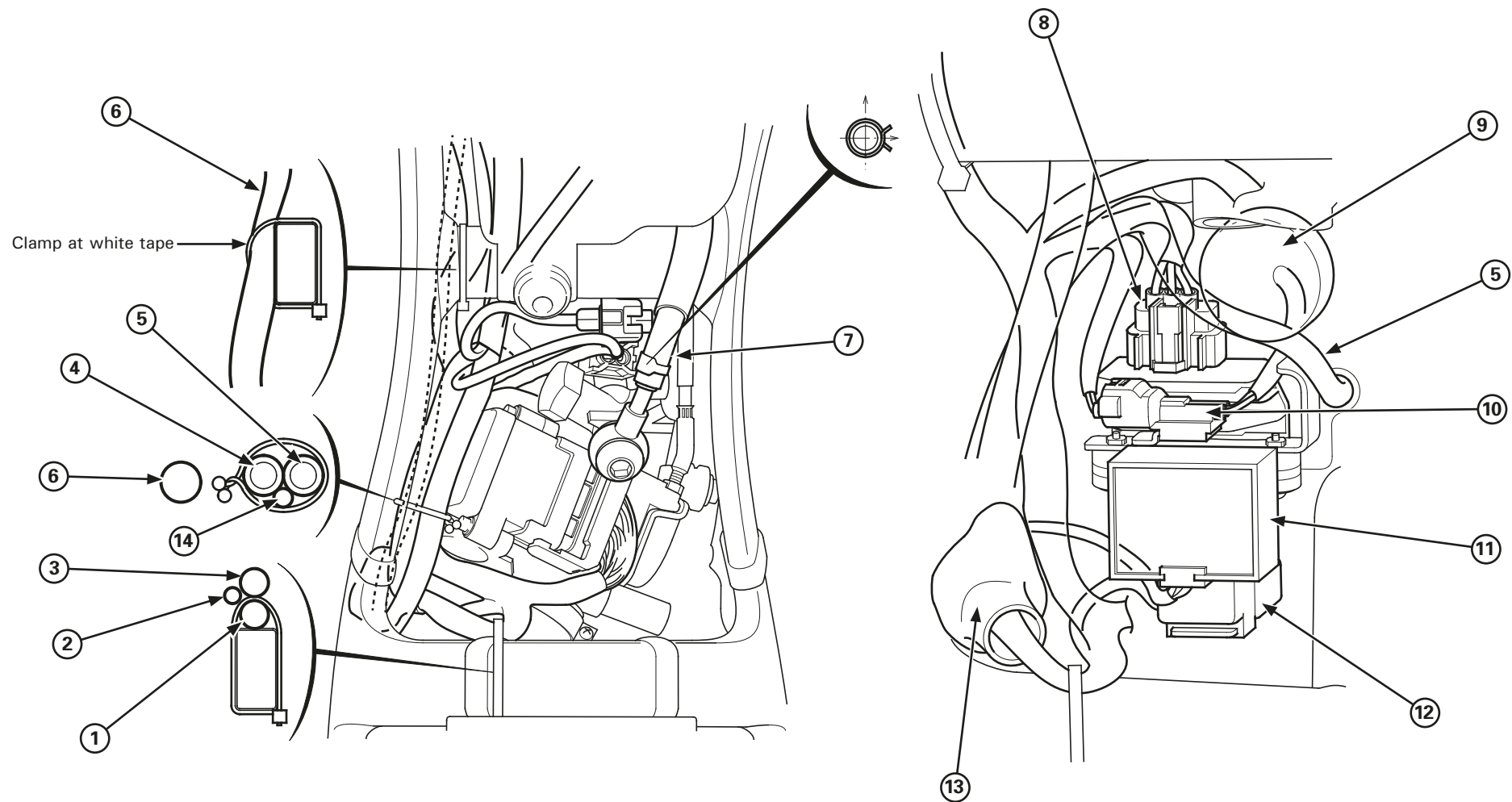


- (1) THROTTLE CABLE
- (2) CLUTCH HOSE
- (3) FUEL TANK BREATHER HOSE



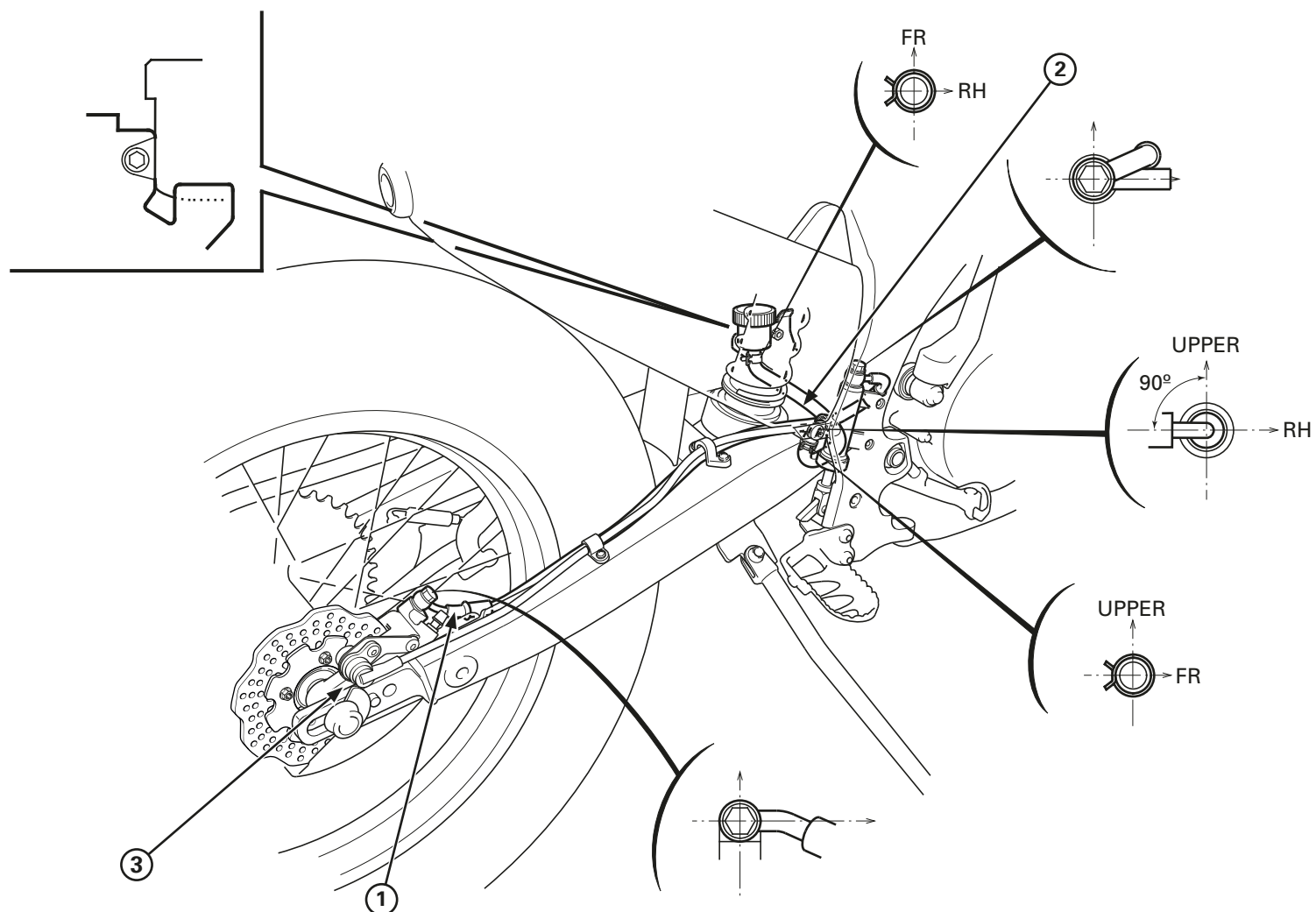
- (1) MAIN WIRE HARNESS
- (2) TRANSMISSION BREATHER HOSE
- (3) FILTER BOX BREATHER HOSE
- (4) ALTERNATOR WIRE
- (5) CONDENSER 2P (BLACK) CONNECTOR

- (6) REGULATOR/RECTIFIER 5P (BLACK) CONNECTOR
- (7) BANK ANGLE SENSOR
- (8) FAN MOTOR RELAY
- (9) REAR BRAKE RESERVOIR TANK
- (10) SPEED SENSOR CABLE (ED/2ED)

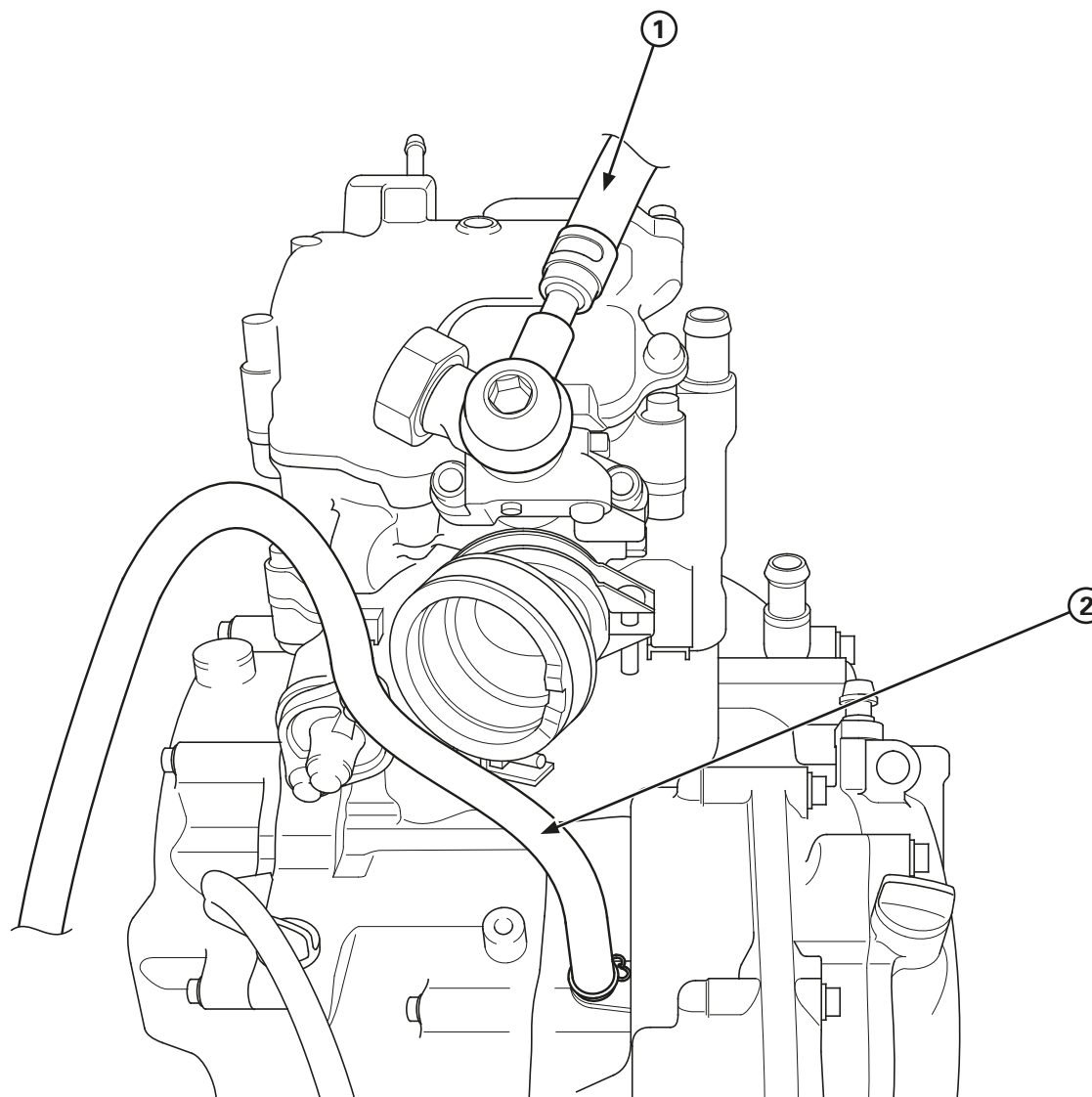


- (1) MAIN WIRE HARNESS (TO CONNECTOR COVER)
- (2) MAIN WIRE HARNESS (TO RELAY)
- (3) MAIN WIRE HARNESS (TO ECU)
- (4) AIR FILTER BOX BREATHER HOSE
- (5) TRANSMISSION BREATHER HOSE
- (6) WIRE HARNESS
- (7) FUEL FEED HOSE

- (8) REGULATOR/RECTIFIER 5P (BLACK) CONNECTOR
- (9) CONDENSOR
- (10) CONDENSOR 2P (BLACK) CONNECTOR
- (11) BANK ANGLE SENSOR
- (12) FAN MOTOR RELAY
- (13) CONNECTOR COVER
- (14) SPEED SENSOR CABLE (ED/2ED)



- (1) REAR BRAKE HOSE
- (2) REAR BRAKE RESERVOIR HOSE
- (3) SPEED SENSOR (ED/2ED)



- (1) FUEL FEED HOSE
- (2) TRANSMISSION BREATHER HOSE

3. Service and maintenance

Maintenance schedule

Perform pre-ride Inspection at each scheduled maintenance period.

I: Inspect and clean, Adjust, Lubricate or Replacement if necessary. C: Clean, R: Replace, L: Lubricate.

Item	Frequency	Each race or about 2.5 h.	Every 6 races or about 15 h.	Every half a year	Every year	Remarks
Fuel Line		I				
Fuel Filter					I	
Clean Under The Front Suspension Fender				I		
Throttle Operation		I				
Air Cleaner		C				Check the air cleaner after riding in dusty area
Spark Plug		I	R			
Valve Clearance				I		I: After the first brake-in period
Engine Oil		I	R			R: After the first brake-in period
Engine Oil Filter			R			R: After the first brake-in period
Engine Oil Strainer Screen			I			
Engine Idle Speed		I				
Transmission Oil			R			
Radiator Coolant		I			R	
Cooling System		I			R	
Piston			I		R	
Piston Ring			I	R		
Drive Chain		I, L				
Drive Chain Slider/Tensioner		I				
Drive/Driven Sprocket		I				
Brake Fluid		I		R		
Brake Pad Wear		I				
Brake System		I				
Clutch Fluid		I				
Clutch System		I				
Control Cables		I, L				
Exhaust Pipe/Muffler		I	C			
Suspension		I	C			Check the spherical bearing damage.
Shock absorber (nitrogen pressure)				I		2ED / 4ED
Swingarm/Shock Linkage		I	C			
Fork Oil		I		R		
Wheels/Tires		I				
Steering Head Bearing		I				
Nuts, Bolts, Fasteners		I				

Pre-ride Inspection

For your safety, it is very important to take a few moments before each ride to walk around your COTA 4RT and check its condition.

WARNING

Improperly maintaining this COTA 4RT or failing to correct a problem before riding can cause a crash in which you can be seriously hurt or killed.

Always perform a Pre-ride and Pre-race inspection before every ride and correct any problems.

Check the following items before you get on the Cota 4RT:

- Fuel, oil and water leaks
- Coolant for proper level
- Spark plug for proper heat range, carbon fouling and spark plug cap terminals for looseness
- Clutch operation
- Steering head bearings and related parts for condition
- Damaged or distorted frame
- Throttle grip and throttle valve operation
- Tires for damaged or improper inflation pressure
- Front and rear suspension for proper operation
- Front and rear brakes, for proper operation
- Drive chain for correct slack and adequate lubrication
- Drive chain slider and roller for damage or wear
- Loose bolts, screws and other fasteners

Service and maintenance

Warming-up Inspection

When warming-up the engine, check for the following:

- Do not rev the engine more than necessary or engine damage may result.
- Check for fuel, oil and water leaks
- Warm up the engine for a few minutes until it is heated to the operating temperature until the engine responds to the throttle smoothly.

Ride Inspection

When running the Cota, check for the following:

- Control system
- Brake stopping power

After Ride Inspection

After riding the Cota, check for the following:

- Color condition of piston head and spark plug
- Signs of detonation
- Fuel, oil and water leaks
- Loose or missing bolts and nuts

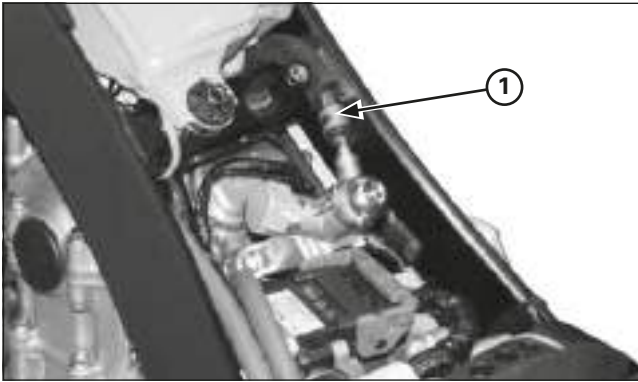
Replacement Parts

Parts Requiring Periodic Replacement

Item	Replacement Interval	Cause
Engine		
Spark plug/plug cap	Every 6 races	Contamination or emulsification
Engine oil	Every 6 races	
Engine oil filter	Every 6 races	
Transmission oil	Every 6 races	
Piston	Every year	Damage or wear at skirt
Piston ring	Every half a year	Damage at ends or wear
Radiator coolant	Every year	
Frame		
Front fork fluid	Every half a year	

Fast wearing/expendable parts

Item	Cause
Engine	
Clutch disc	Wear or discoloration
Clutch spring	Fatigue
Drive sprocket	Wear or damage
Frame	
Front/rear tire	Wear
Brake pad	Wear
Chain slider	Wear
Driven sprocket	Wear or damage
Drive chain	Elongation or wear

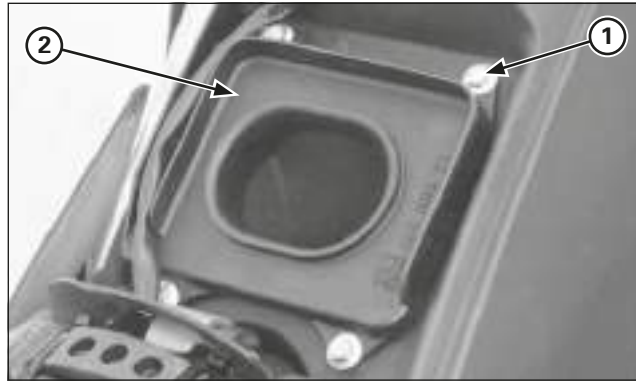


(1) FUEL FEED HOSE

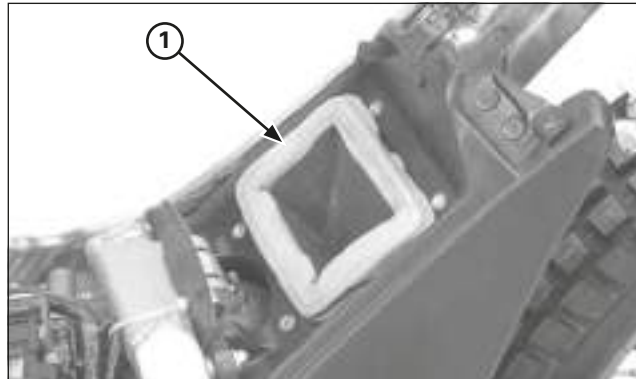
Fuel Line

Remove the rear fender.

Check the fuel feed hose for cracks, deterioration or leakage.



(1) BOLTS
(2) AIR CLEANER HOUSING COVER

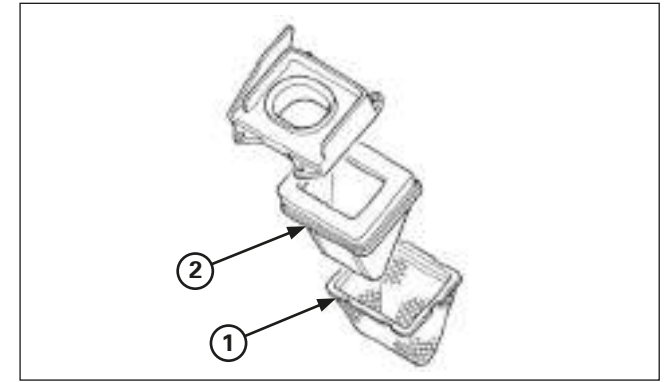


(1) AIR CLEANER ELEMENT

Air Cleaner

Remove the rear fender.
Remove the four bolts and air cleaner housing cover.

Remove the air cleaner element assembly from the air cleaner housing.



(1) FLAME TRAP
(2) AIR CLEANER ELEMENT

Remove the flame trap from the air cleaner element.
Check the flame trap for damage, replace if necessary.

Thoroughly wash the element in clean non-flammable cleaning solvent, then wash in a solution of hot water and dish-washing liquid soap.

Apply specific oil for air filters to the element, and squeeze out excess oil.

Clean the inside of the air cleaner housing.

WARNING

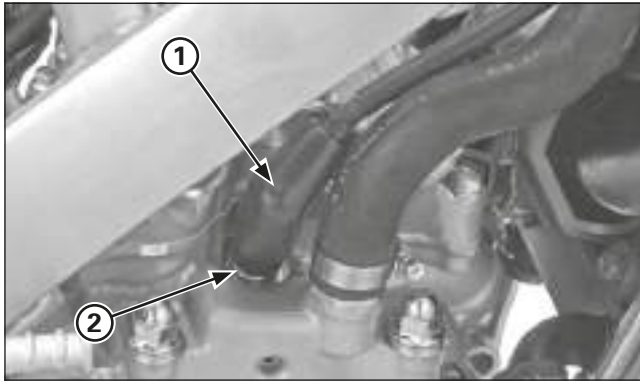
Never use gasoline or low flash point solvents for cleaning the air cleaner element. A fire or explosion could result.
Soak the element in engine oil and squeeze out the excess.

NOTICE

Do not twist the element to squeeze out the excess. Failure to follow this precaution can result in a damaged element.

Installation is in the reverse order of removal.

Service and maintenance



(1) SPARK PLUG CAP
(2) SPARK PLUG

Spark Plug

Using a spark plug with the wrong heat range can damage the engine or cause the plugs to foul. Be careful to select the correct spark plug for the conditions.

Standard plug: NGK: CR6EH-9

Plug Gap

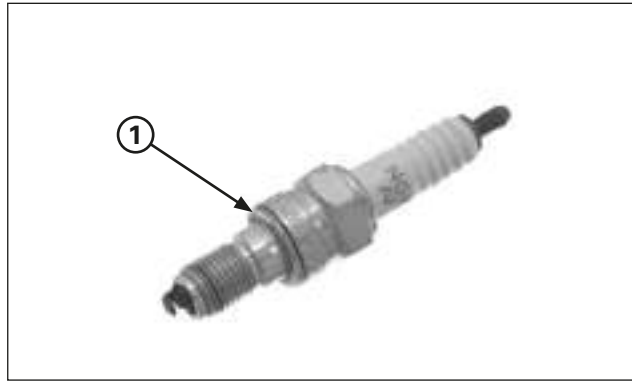
Remove the spark plug and measure the spark plug gap.

Standard: 0.8 – 0.9 mm (0.031 – 0.035 in)

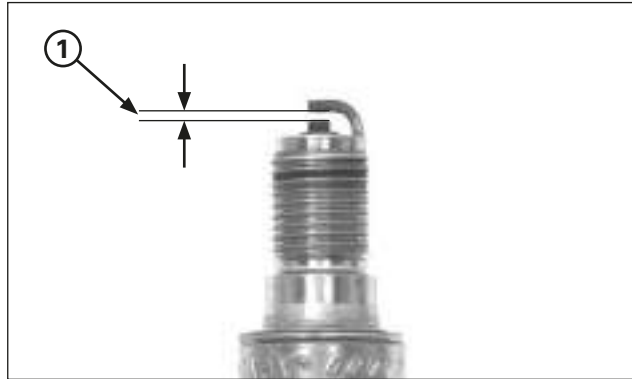
Replace the spark plug if the spark plug gap is out of specification.

Install and tighten the spark plug.

Torque: 16 N·m (1.6 kgf·m, 12 lbf·ft)



(1) INSULATOR



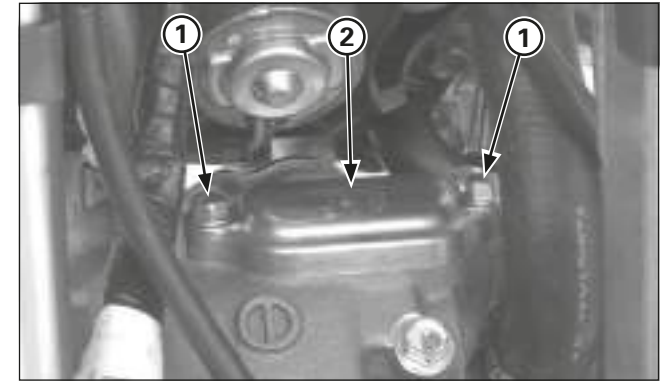
(1) SPARK PLUG GAP

Flash Over

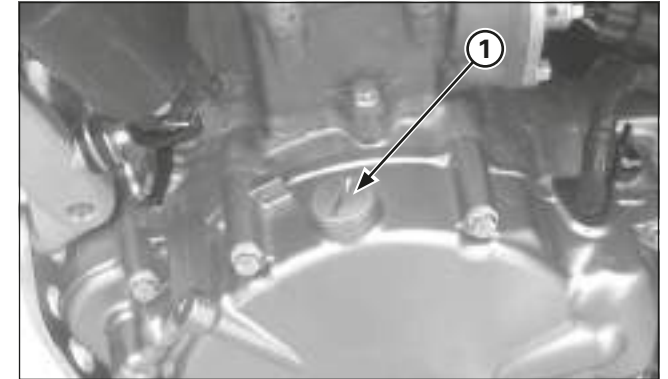
If engine misfire occurs due to arcing, replace both the spark plug and the cap.

Spark Plug Cap

Remove the spark plug cap from the spark plug. Clean the inside of the plug cap with electrical contact cleaner to prevent misfire.



(1) BOLTS
(2) TAPPET ADJUSTING HOLE COVER



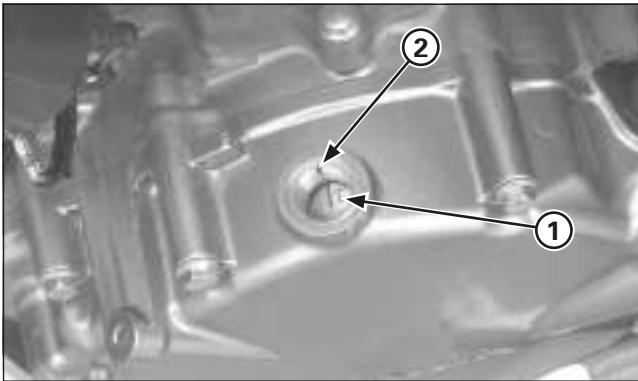
(1) TIMING HOLE CAP/O-RING

Valve Clearance

Inspection

Inspect and adjust the valve clearance while the engine is cold (below 35°C/95°F).

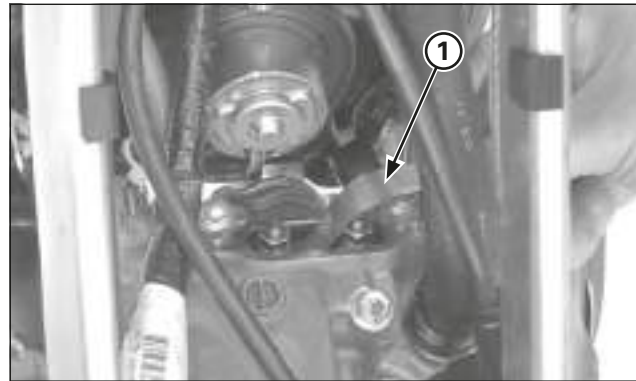
Remove the fuel tank/injector assembly.
Remove the bolts and tappet adjusting hole covers from the cylinder head cover.
Remove the timing hole cap and O-ring.



(1) "T" MARK
(2) INDEX MARK

Operate the kickstarter pedal and align the "T" mark on the flywheel with the index mark on the left crankcase cover.

Make sure the piston is at TDC (Top Dead Center) on the compression stroke by moving the rocker arms.



(1) FEELER GAUGE

Insert a feeler gauge between the rocker arm and valve stem and measure the intake and exhaust valve clearances.

Valve clearance:

Intake: $0.12 \pm 0.03 \text{ mm (} 0.005 \pm 0.001 \text{ in)}$
Exhaust: $0.30 \pm 0.03 \text{ mm (} 0.012 \pm 0.001 \text{ in)}$

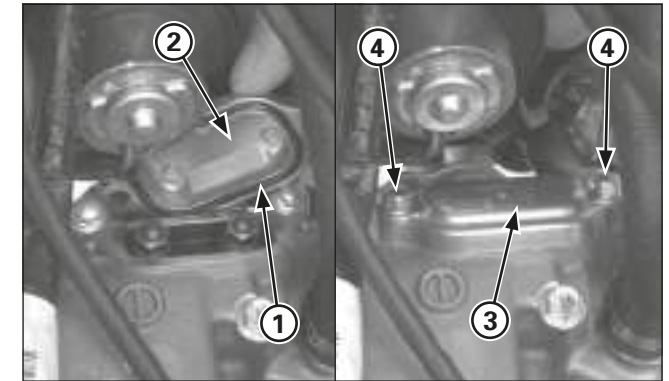
Adjust by loosening the lock nut and turning the adjusting screw until there is a slight drag on a feeler gauge.

Tools:

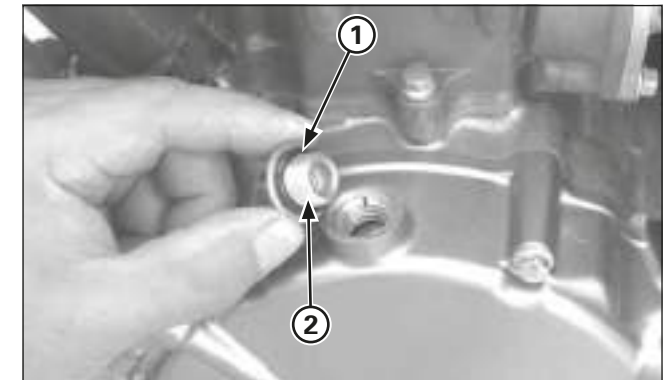
Valve adjusting wrench, 10x12 mm 07708-0030200
 (equivalent commercially available)
Valve adjuster B 07708-0030400

After adjustment, tighten the lock nut while holding the adjusting screw.
 Recheck the valve clearance.

Torque: 14 N·m (1.4 kgf·m, 10.3 lbf·ft)



(1) O-RING
(2) VALVE ADJUSTING HOLE COVER
(3) "UP" MARK (4) BOLTS



(1) O-RING
(2) TIMING HOLE CAP

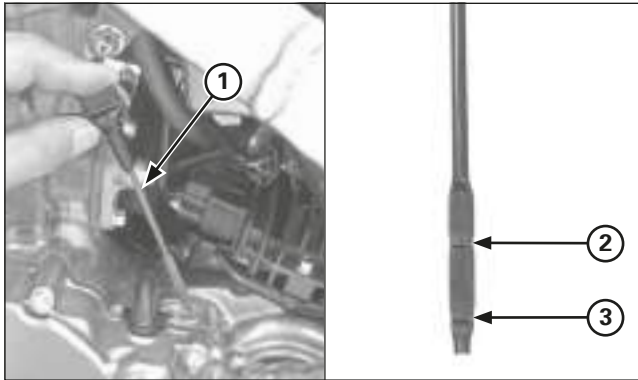
Check that the valve adjusting hole cover O-ring is in good condition, replace if necessary.

Coat the O-rings with clean engine oil and install them in the valve adjusting hole cover grooves.

Install the valve adjusting hole cover with their "UP" mark facing up and then install and tighten the bolts securely.

Check the timing hole cap O-ring is in good condition, replace if necessary.

Install and tighten the timing hole cap.



- (1) OIL FILLER CAP/DIPSTICK
 (2) UPPER LEVEL LINE
 (3) LOWER LEVEL LINE

Engine Oil/Oil Filter

Oil Level Inspection

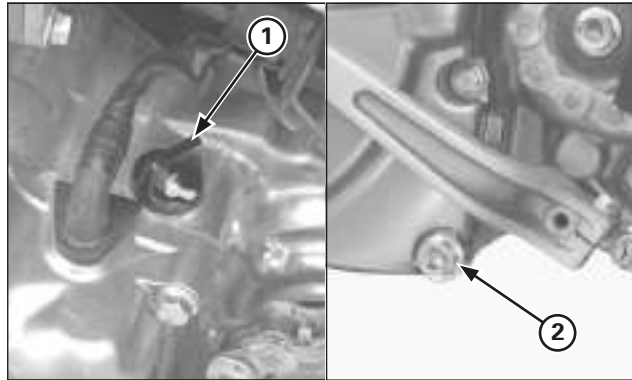
Start the engine and let it idle for a 3 minutes.
 Stop the engine and wait 3 minutes.
 Support the motorcycle upright on a level surface.

Remove the oil filler cap/dipstick on left crankcase and wipe the oil with a clean cloth.
 Insert the dipstick without screwing it in, remove it and check the oil level.

If the oil level is below or near the lower level line on the dipstick, add the recommended engine oil to the upper level line through the oil filler hole.

Specified engine oil:

Repsol 4-stroke motorcycle oil (SAE: 10W-30) or equivalent



- (1) OIL FILLER CAP/DIPSTICK
 (2) DRAIN BOLT/SEALING WASHER

Oil Change

Change the engine oil with the engine warm.
 Support the motorcycle with it side stand.
 Remove the bolts and skid plate.

1. Remove the oil filler cap/dipstick.
2. Place an oil drain pan under the engine and remove the drain bolt on the left crankcase cover.
3. After the oil has completely drained, make sure that the sealing washer is in good condition and reinstall the drain bolt. Tighten the drain bolt to the specified torque.

Torque: 22 N·m (2.2 kgf·m, 16 lbf·ft)

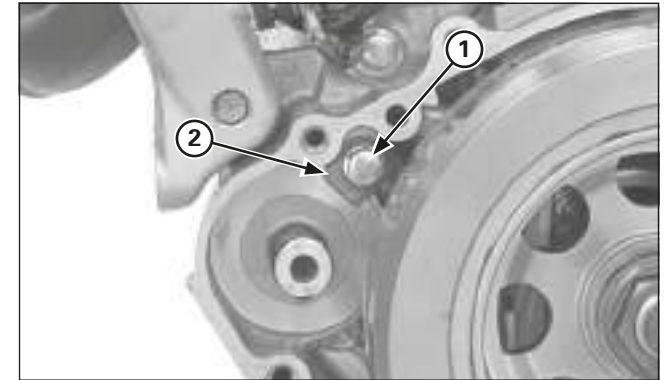
4. Pour recommended engine oil slowly through the oil filler hole.

Specified engine oil:

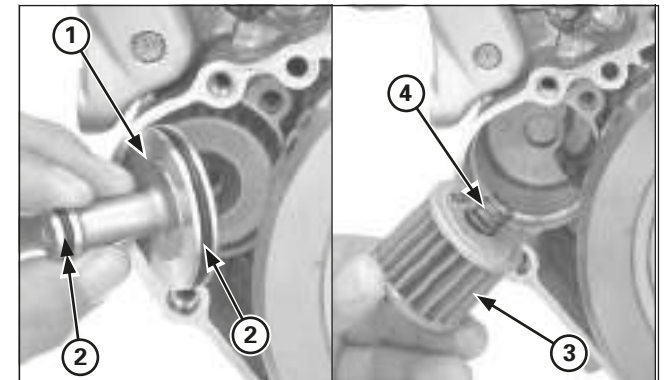
Repsol 4-stroke motorcycle oil (SAE: 10W-30) or equivalent

Capacity: 0.41 liter (0.43 US qt, 0.36 Imp qt) after draining
0.44 liter (0.46 US qt, 0.39 Imp qt) after oil filter change
0.60 liter (0.63 US qt, 0.53 Imp qt) after disassembly

Install the oil filler cap/dipstick.



- (1) BOLT
 (2) RETAINING PLATE



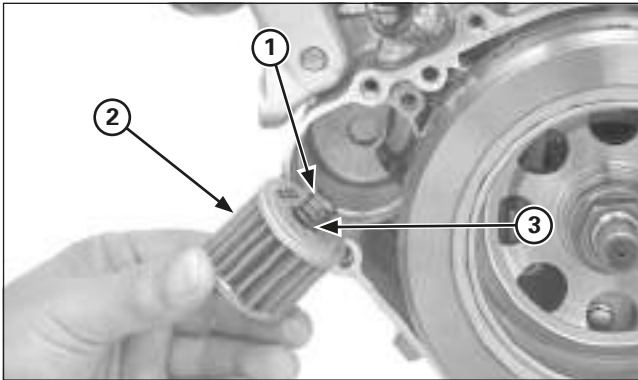
- (1) OIL FILTER COVER
 (2) O-RINGS
 (3) OIL FILTER
 (4) SPRING

Oil Filter Change

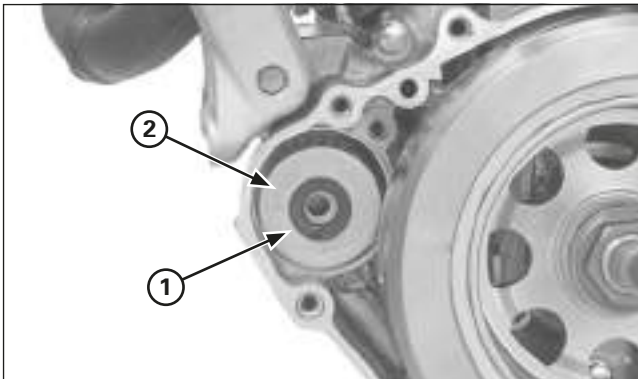
Remove the left crankcase cover (page 4-49).

Remove the oil filter cover retaining plate bolt and plate.
 Remove the oil filter cover and O-rings.

Remove the oil filter and spring.



- (1) SPRING
- (2) OIL FILTER
- (3) APPLY GREASE

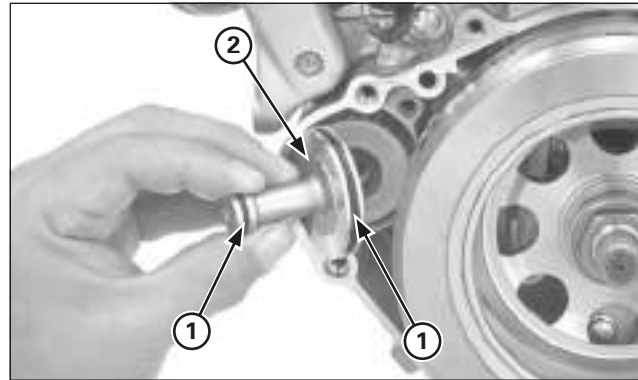


- (1) OIL FILTER
- (2) "OUT SIDE" MARK

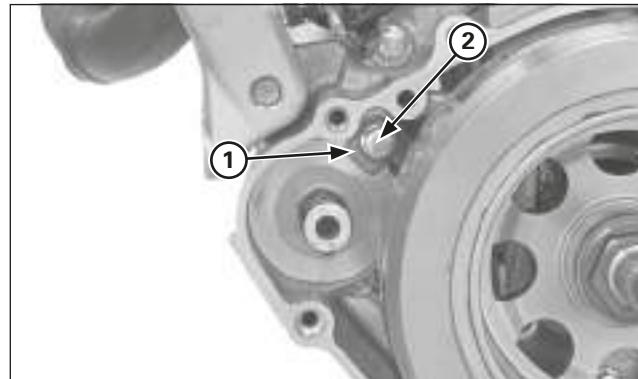
Apply grease to the oil filter spring end (filter side).
Install the spring into the new oil filter.

Install the new oil filter into the left crankcase with its "OUT SIDE" mark facing out.

Installing the oil filter backwards will result in severe engine damage.



- (1) NEW O-RINGS
- (2) OIL FILTER COVER

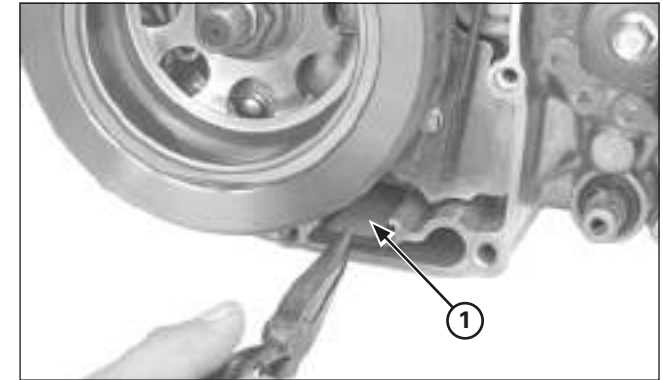


- (1) RETAINING PLATE
- (2) BOLT

Install new O-rings into the oil filter cover grooves.

Install the oil filter cover into the left crankcase while aligning the cover flange with the oil filter groove. Make sure that the oil filter cover seats properly in the crankcase.

Install the retaining plate and tighten the bolt securely.

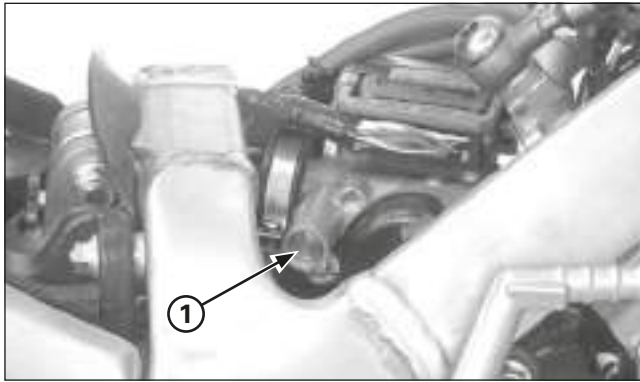


- (1) OIL STRAINER SCREEN

Oil Strainer Screen Cleaning

Remove the oil strainer screen from the left crankcase groove.
Clean the strainer.
Reinstall the oil strainer screen.
Note the direction of the screen.

Install the left crankcase cover being careful not to damage the O-ring and oil seal.



(1) IDLE SPEED ADJUSTMENT SCREW

Engine Idle Speed

Inspect and adjust the idle speed after all other engine adjustments are within specification.

The engine must be warm for an accurate idle inspection and adjustment.

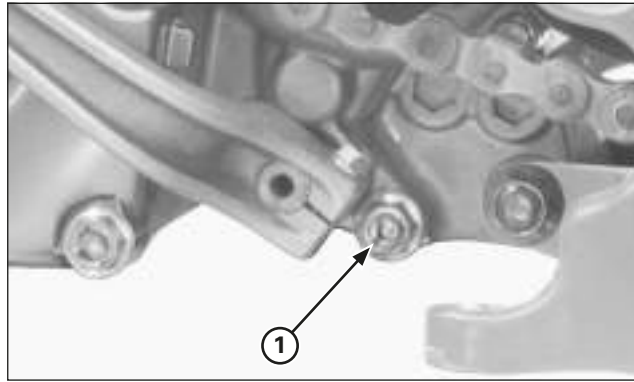
Warm up the engine until the fan starts, shift the transmission into neutral, and hold the motorcycle upright position.

Connect a tachometer according to its manufacturer's operating instruction.

Idle speed: 1,800 ± 100 min-1 (rpm)

NOTICE

A low idling speed may cause starting problems.



(1) DRAIN BOLT

Transmission Oil

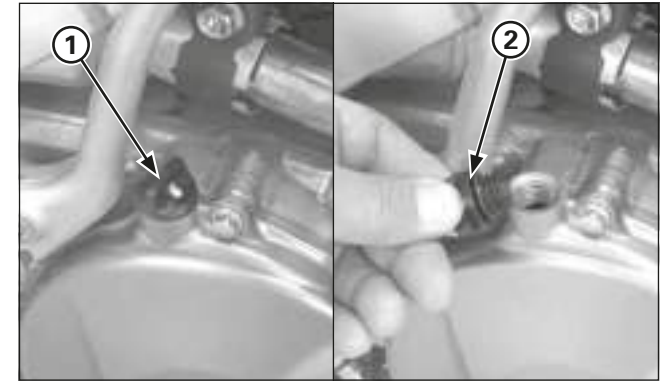
Oil Change

- Transmission oil should be changed at least every six competitions to ensure consistent performance and maximum service life of both transmission and clutch components.
- Warm-up the engine before draining the oil. This will ensure complete and rapid draining.

Remove the bolts and skid plate.

1. Support the motorcycle in an upright position on level surface.
2. Remove the oil filler cap from the clutch cover.
3. Place an oil drain pan under the engine to catch the oil, then remove the drain bolt and sealing washer from the left crankcase.
4. After the oil has drained completely, install the drain bolt with a new sealing washer. Tighten the drain bolt to the specified torque.

Torque: 22 N·m (2.2 kgf·m, 16 lbf·ft)



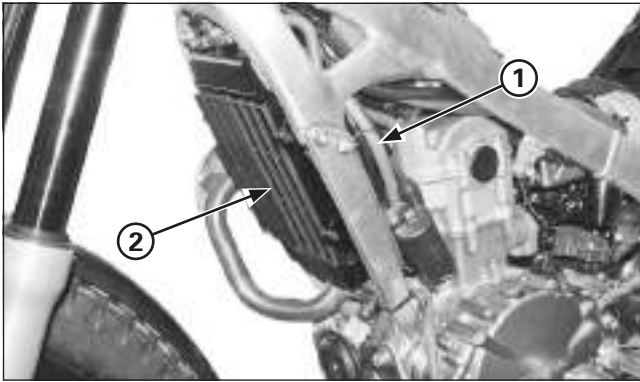
(1) FILLER CAP
(2) O-RING

5. Pour specified transmission oil.

Specified transmission oil:
REPSOL MOTO TRANSMISSION (75W)
ELF HTX740 (75W)

Capacity: 0.54 liter (0.57 US qt, 0.48 Imp qt) after draining
0.57 liter (0.60 US qt, 0.50 Imp qt) after
disassembly

Check the O-ring is in good condition, install the oil filler cap.

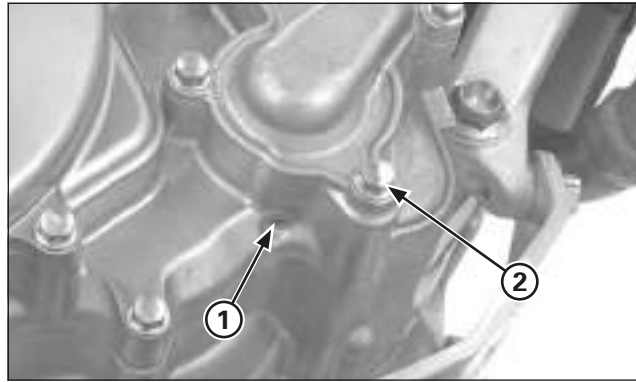


(1) OVERFLOW HOSE
(2) RADIATOR

Coolant

Cooling System Inspection

1. Check the cooling system for leaks.
2. Check water hoses for cracks, deterioration, and clamp bands for looseness.
3. Check the radiator mount for looseness.
4. Make sure the overflow hose is connected and not clogged.
5. Check radiator fins for obstructions or damage.



(1) INSPECTION HOLE
(2) COOLANT DRAIN BOLT/SEALING WASHER

6. Check the water pump inspection hole bottom of the water pump for leakage. Make sure the hole remains open.
If water leaks through the check hole, the water seal is damaged. If oil leaks through the check hole, the oil seal is damaged.
Replace the water seal or the oil seal (page 4-15).

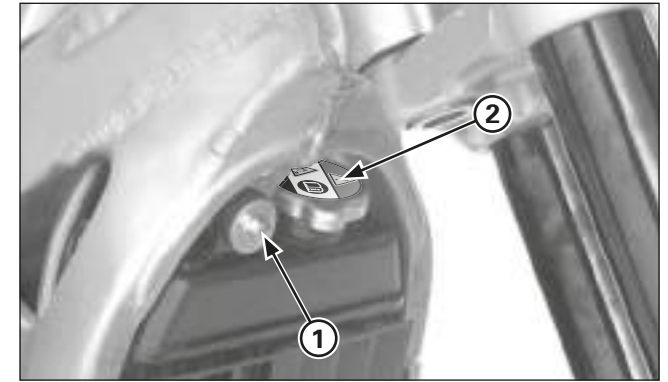
Coolant Replacement

WARNING

Removing the radiator cap while the engine is hot will allow the coolant to spray out, seriously scalding you.

Always let the engine and radiator cool down before removing the radiator cap.

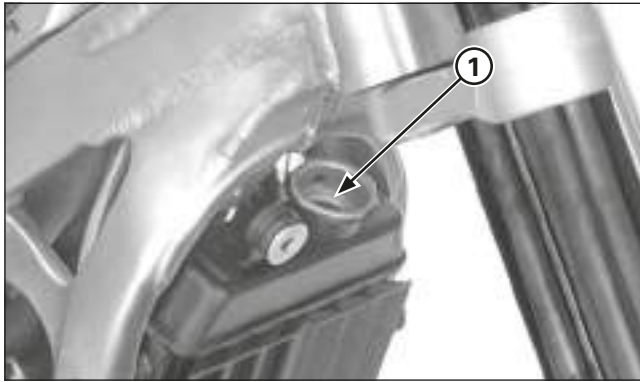
1. Remove the coolant drain bolt and sealing washer.



(1) BOLT
(2) RADIATOR CAP

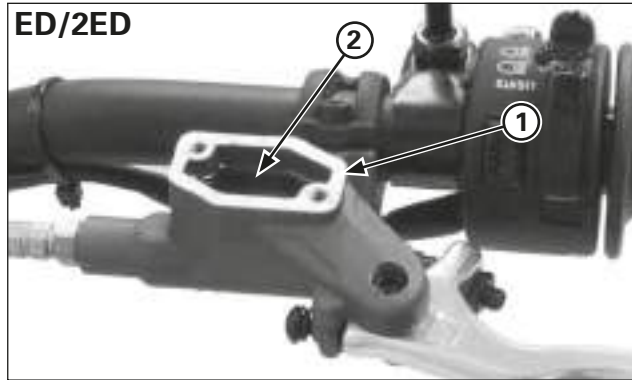
2. Remove the radiator upper mounting bolt and move the radiator forward, then remove the radiator cap and drain the coolant.
3. Install the new sealing washer, drain bolt and tighten it to the specified torque.

Torque: 9.8 N•m (1.0 kgf•m, 7 lbf•ft)

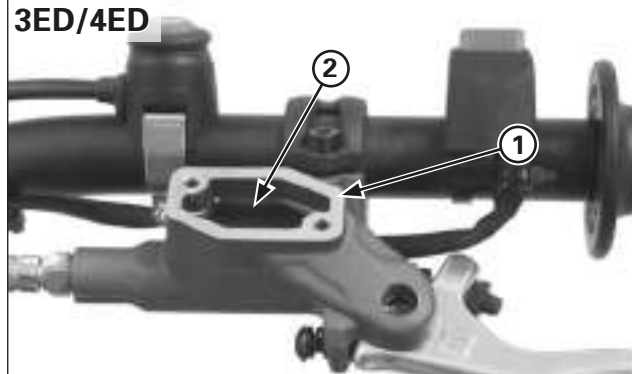


(1) FILLER NECK

4. Fill the radiator with coolant up to the filler neck.
5. Squeeze the radiator hoses alternately. If the coolant level drops, fill the coolant again.
6. Fill the radiator with coolant up to the filler neck.
7. After this first filling, start the engine, check the coolant level (page 1-3).



ED/2ED



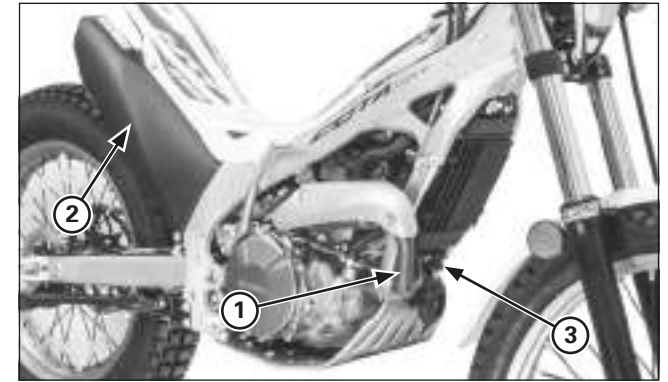
3ED/4ED

(1) CLUTCH FLUID RESERVOIR
(2) LOWER LEVEL LINE

Clutch System

System Inspection

1. Operate the clutch lever and check that no air has entered in the system. If the clutch is not disengaged properly, or the lever feels soft or spongy, bleed the air from the system.
2. Remove the reservoir cover and diaphragm, check the clutch fluid level. If the level is low, inspect the clutch hose and fittings for damage, deterioration, cracks or sign of leakage. Tighten any loose fittings. Replace hose and fittings as require.



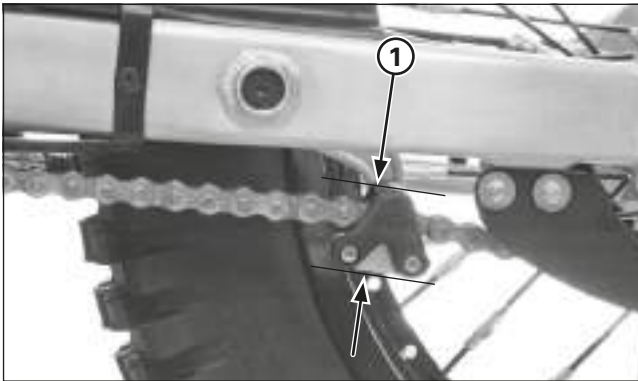
(1) EXHAUST PIPE
(2) MUFFLER
(3) LAMBDA-SONDE (ED/2ED)

Exhaust Pipe And Muffler

Inspection

Check the muffler for clogging.
Check for loose or missing bolts and nuts.
Check the exhaust pipe and muffler for cracks or deformation.
Check the exhaust pipe gasket.
Check the muffler gasket.

Loss of power will result if the exhaust pipe is broken.



(1) DRIVE CHAIN SLACK

Drive Chain

Drive Chain Slack Inspection

During the break-in period, drive chain slack should be checked and adjusted often. Also check the drive chain slack after the drive chain replacement.

Regular cleaning, lubrication, and proper adjustment will help to extend the service life of the drive chain.

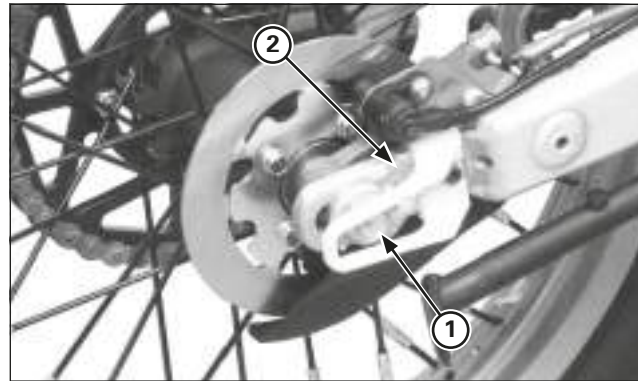
Shift the transmission into neutral, turn the engine off and support the motorcycle on its side stand. Unhook the drive chain tensioner spring to remove any load on the chain.

Measure chain slack at the lower section midway between the sprockets.

Drive chain slack: 25 – 35 mm (1.0 – 1.4 in)

Rotate the wheel and chain slack in several sections. If slack in one section increases beyond the standard measurement, this indicates the chain has stretched and needs to be replaced.

Take care to prevent catching your fingers between the chain and sprocket.



(1) AXLE NUT
(2) ADJUSTER

Drive Chain Slack Adjustment

Loosen the rear axle nut just enough to move the rear wheel in fore-aft direction.

Turn the adjuster equally on both sides until the correct drive chain tension is obtained.

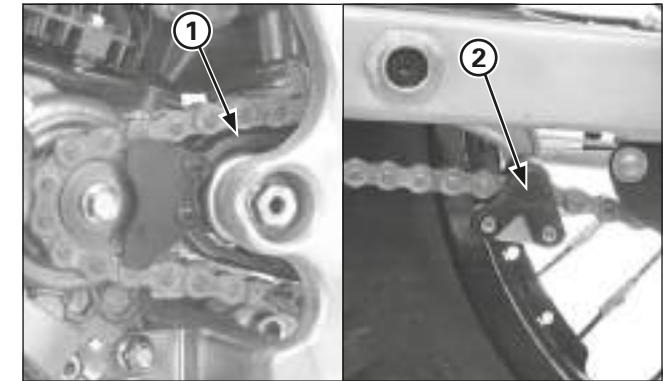
Turn the adjuster counterclockwise will decrease slack and turning it clockwise will increase slack.

- Adjust the chain with the chain adjusters so that it is parallel with the center line of the frame.
- Check that the stopper is between the teeth of the adjuster.

Recheck the drive chain slack and free wheel rotation. After adjustment, tighten the axle nut to the specified torque.

Torque: 69 N·m (7.0 kgf·m, 51 lbf·ft)

Lubricate the drive chain.
Hook the drive chain tensioner spring.



(1) DRIVE CHAIN SLIDER
(2) DRIVE CHAIN TENSIONER SLIDER

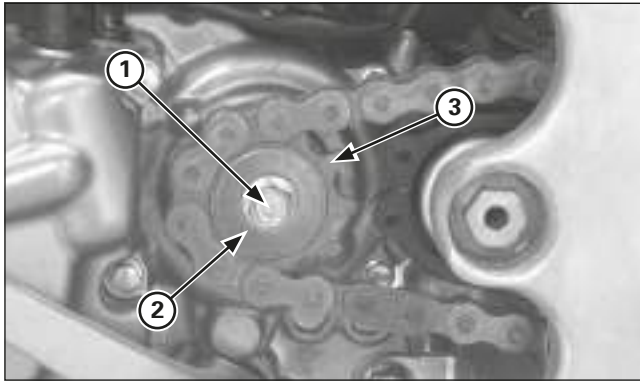
Drive Chain Slider

Inspection/Replacement

Check the drive chain slider for wear or damage. If the wear is 2.0 mm (0.08 in) or more, replace the slider. Check the drive chain tensioner slider for wear or damage. If the wear is 2.0 mm (0.08 in) or more, replace the slider.

The drive chain slider and tensioner screws must be retightened after break-in.

Service and maintenance



- (1) BOLT
- (2) SPRING WASHER
- (3) DRIVE SPROCKET

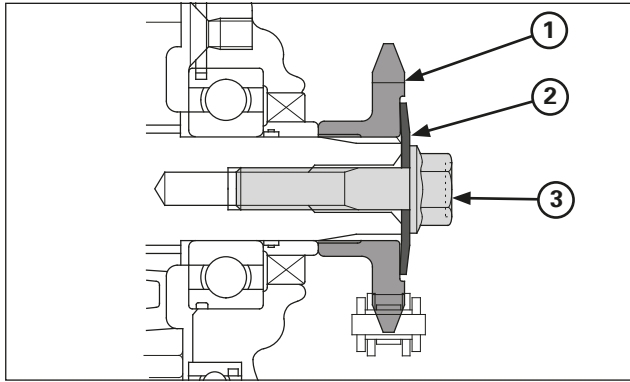
Drive/Driven Sprockets

Drive Sprocket Replacement

Remove the drive sprocket cover.
Loosen the drive chain fully.

Insert 1st gear

Remove the screw drive pinion and spring washer.

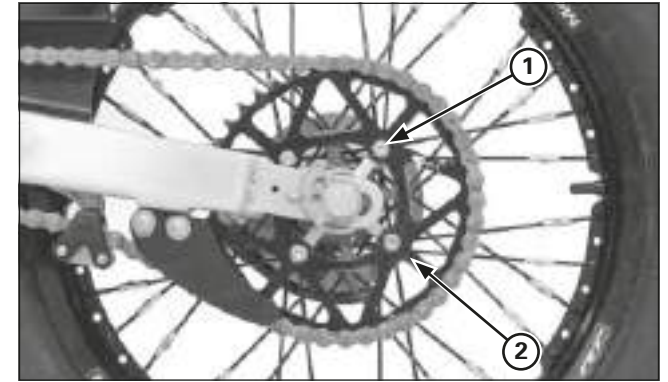


- (1) DRIVE SPROCKET
- (2) SPRING WASHER
- (3) BOLT

Install the drive sprocket onto the countershaft as shown.
Install the spring washer and bolt, then tighten the bolt to the specified torque.

Torque: 31 N·m (3.2 kgf·m, 23 lbf·ft)

Put the transmission in neutral.



- (1) BOLTS/NUT
- (2) DRIVEN SPROCKET

Driven Sprocket Replacement

Remove the rear wheel (page 5-15).

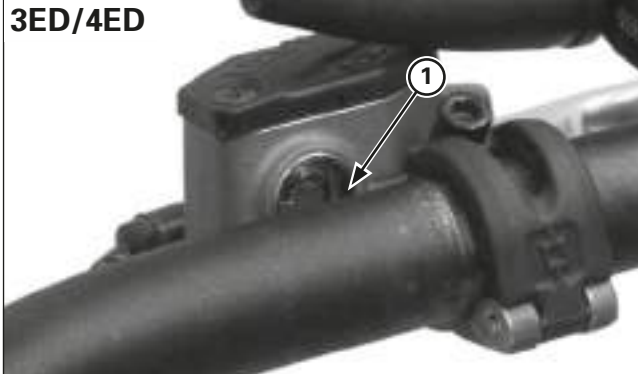
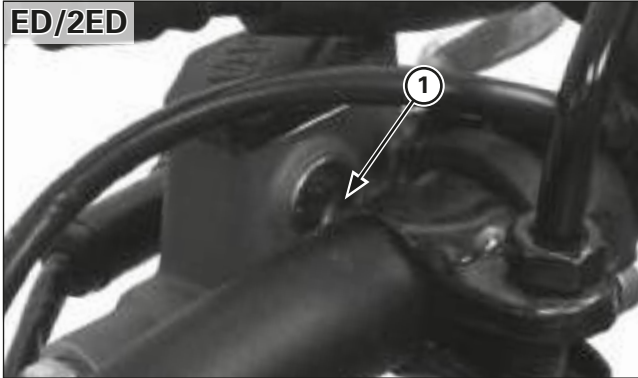
Remove the bolts/nuts, washers and driven sprocket.

Installation is in the reverse order of removal.

Hold the bolts and tighten the nuts to the specified torque.

Torque: 30 - 35 N·m (3.0 - 3.5 kgf·m, 22.1 - 25.8 lbf·ft)

Adjust the drive chain slack (page 3-11).



(1) "MIN" LEVEL

Brake Fluid

Front Brake Master Cylinder

Always inspect the brake fluid level.

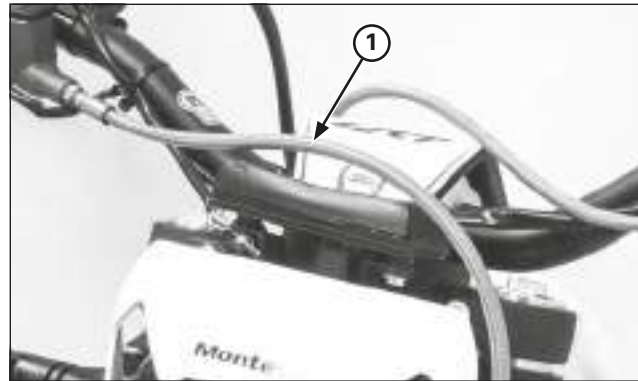
Remove the screws, master cylinder cover and diaphragm.

If the fluid level is lower than the "MIN" line, check for the brake pad wear.

Replace the brake pad if necessary.

Refer to page 5-25 for brake pad replacement.

Also check the brake system for leaks.



(1) BRAKE HOSE

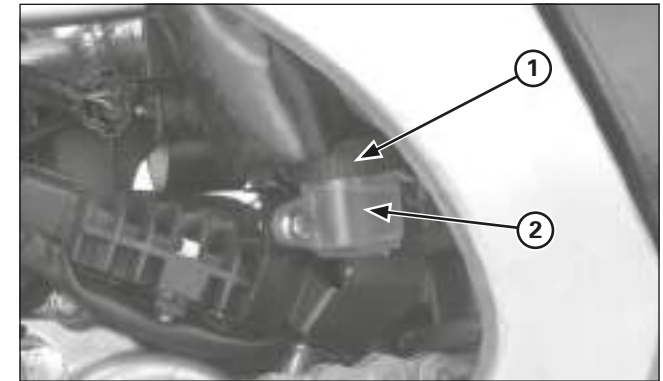
Check that the brake hose do not bind or kink in all steering position, and is not pulled when the suspension is extended.

Replace the brake fluid every 6 months.

Replace the brake hose every year.

Do not service the brake system in high humidity.

Brake fluid: DOT 4 only



(1) COVER
(2) "MIN" LEVEL

Rear Master Cylinder

Always inspect the brake fluid level.

Remove the master cylinder reservoir cover, set plate and diaphragm.

If the fluid level is lower than the "MIN" level, check for brake pad wear.

Replace the brake pad if necessary.

Refer to page 5-25 for brake pad replacement.

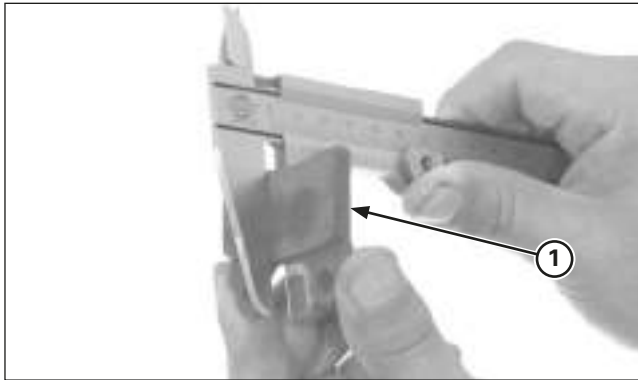
Also check the brake system for leaks.

Replace the brake fluid every 6 months.

Replace the brake hose every year.

Do not service the brake system in high humidity.

Brake fluid: DOT 4 only



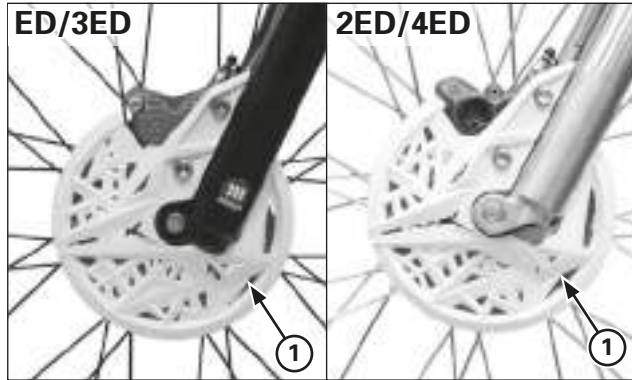
(1) BRAKE PAD

Brake Pad Wear

Measure the brake pad thickness.

**Minimum thickness (subtracting the metal support):
1.0 mm (0.04 in)**

If either pad is wear to the indicator, both pads must be replaced.



(1) BRAKE DISC

Brake System

Refer to page 1-11 for Brake Lever Adjustment.
Refer to page 1-12 for Brake Pedal Height Adjustment.

Brake Discs

Measure the rear brake disc runout with a dial gauge.

Service limit: 0.15 mm (0.006 in)

Replace the brake disc if the runout exceeds the service limit.

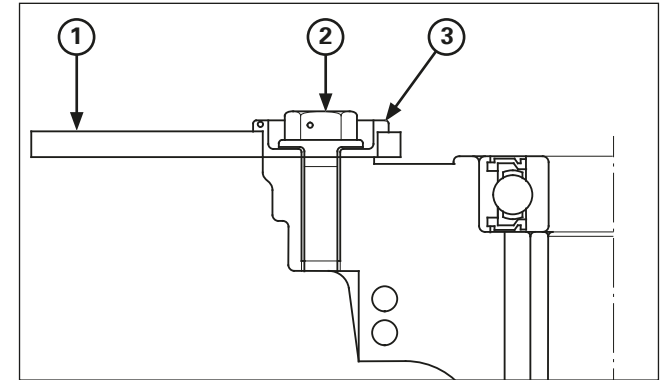
Measure the brake disc thickness.

Service limit:

**(ED/3ED): Front: 3,0 mm (0.12 in)
Rear: 2,2 mm (0.09 in)**

**(2ED/4ED): Front: 2,5 mm (0.1 in)
Rear: 2,5 mm (0.1 in)**

Replace the brake disc if necessary.
Refer to pages 5-1 and 5-15 for removal.



(1) BRAKE DISC
(2) DISC BOLT
(3) COLLAR

The front brake is floating type disc.

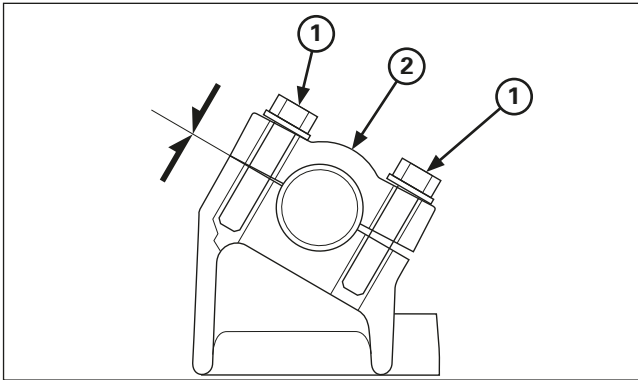
Replace the disc and disc bolts if the play in the rotating direction exceeds 2.0 mm (0.08 in), as measured at its periphery. The standard play is from 0.3 – 1.0 mm (0.01 – 0.04 in).

Apply a locking agent to the threads of the brake disc bolts before installation.

Torque:

**Front: 18 - 20 N•m (1.8 - 2 kgf•m, 13-15 lbf•ft)
Rear: 16 - 18 N•m (1.6 - 1.8 kgf•m, 11-13 lbf•ft)**

On the front brake, replace the collar with new ones if the disc starts to wobble right and left.



(1) HOLDER BOLTS
(2) UPPER HOLDER

Handlebar And Steering Head Bearings

Handlebar

Check the handlebar for bends or cracks.

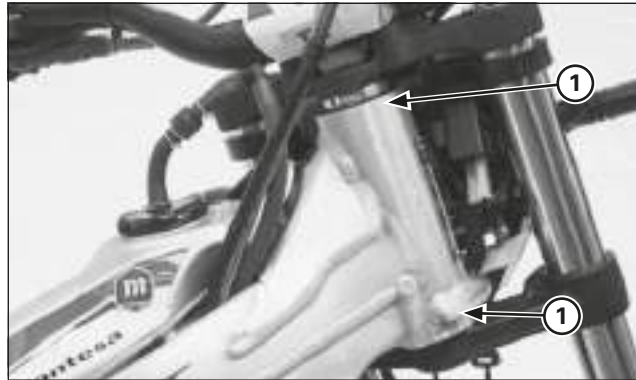
Check that the handlebar has not moved from its proper position.

Check that the handlebar holder bolts are tight.

If necessary, tighten the holder bolts.

First tighten the forward bolts, then tighten the rear bolts to the specified torque.

Torque: 22 N·m (2.2 kgf·m, 16 lbf·ft)

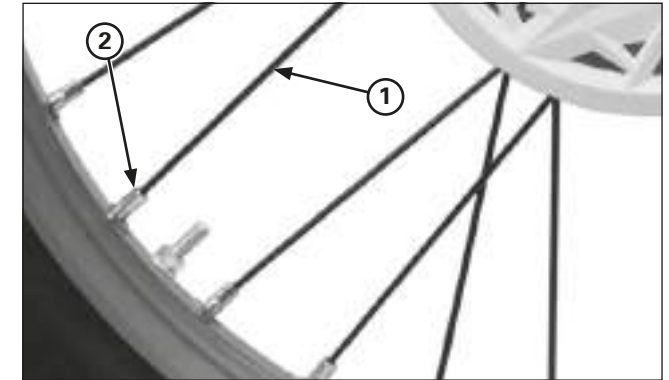


(1) STEERING HEAD BEARINGS

Steering Head Bearings

Support the motorcycle using the maintenance stand with its front wheel off the ground.

Turn the handlebar to the right and left to check for roughness in the steering head bearings. Stand in front of the motorcycle and grab the fork (at the axle), then push the fork in and out (toward the engine) to check for play in the steering head bearings. If any roughness or play is felt, adjust or replace the steering head bearings.



(1) SPOKE NIPPLE
(2) RIM LOCK

Wheels And Tires

Proper air pressure will provide maximum stability and tire life.

Check tire pressure frequently and adjust if necessary. Tire air pressure should be checked when the tires are COLD.

Standard tyre air pressure FOR COMPETITION ONLY:

Front: 39 – 44 kPa (0.40 – 0.45 kgf/cm², 5.6 – 6.4 psi)

Rear: 29 – 34 kPa (0.30 – 0.35 kgf/cm², 4.3 – 5.0 psi)

Inspect the wheel for damage.

Check the wheel runout. If runout is noticeable, check the spokes are tight, or replace the wheel.

Check the axle for runout.

Check the condition of the front and rear wheel bearings.

Check the trueness of the wheel, spoke tension and the tightness of the rim lock nut.

Tool:

Spoke nipple wrench (front) 07701-0020300

Torque:

Spoke nipple:

Front: 2.45 - 4.9 N·m (0.24 - 0.49 kgf·m, 1.8-3.6 lbf·ft)

Rear: 2 - 3 N·m (0.2 - 0.3 kgf·m, 1.5-2.2 lbf·ft)

Rim lock nut: 13 N·m (1.3 kgf·m, 9 lbf·ft)



Front Suspension

Inspection

1. Make sure that the fork surfaces and dust seals are clean.
 2. Check for signs of oil leakage. Damaged or leaking fork seals should be replaced before you ride the motorcycle.
 3. Make a quick check of fork operation by locking the front brake and pushing down on the handlebar several times.
- When your Cota is new, break in your Cota to ensure that the suspension has worked in.
 - After break-in, test ride your Cota with the front suspension at the standard setting before attempting any adjustments.



(1) PRE-LOAD ADJUSTER

Fork (ED/3ED)

The motorcycle is shipped with a light coating of grease on the forks. This is not an indication of a leak.

The fork should always be adjusted for the rider's weight and track conditions by using one or more of the following methods.

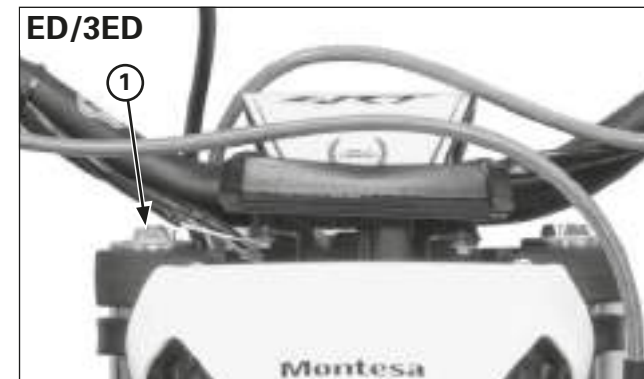
Basically, there are two adjustments you can make to the front suspension:

- Rebound damping (right fork)
Turning the rebound damping adjuster adjusts how quickly the fork extends.
- Spring pre-load (left fork)
Turning the spring pre-load adjuster adjusts the spring initial pre-load length.

Standard position:

5 ± 0.5 turns out from full soft

Replace the fork fluid every 6 months. See page 5-8, 5-11 for oil level adjustment after changing the fork fluid.



(1) REBOUND ADJUSTER

Use specified fork fluid which additives to assure maximum performance of your Cota's front suspension.

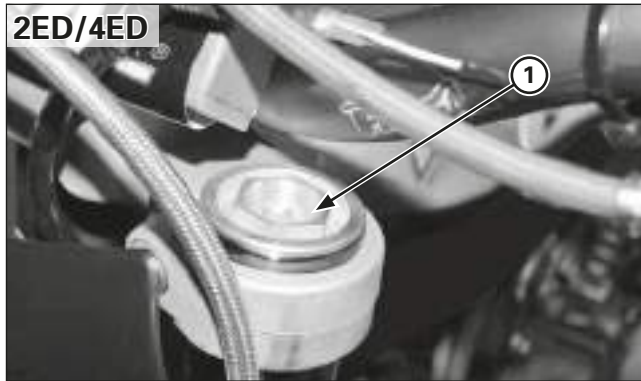
Specified fork fluid:

OJ Racing Special Fork Oil Type 01 (SAE 5W) or equivalent

- Periodically check and clean all front suspension parts to assure top performance. Check the dust seals for dust, dirt and foreign materials. Check the fluid for any contamination.
- Make rebound damping adjustments in one-click increments. Adjusting two or more clicks at a time may cause you to pass over the best adjustment. Test ride after each adjustment.
- If you become confused about adjustment settings, return to the standard position and start over.

Standard position:

20 ± 2 clicks from full hard



(1) PRE-LOAD ADJUSTER

Fork (2ED/4ED)

The motorcycle is shipped with a light coating of grease on the forks. This is not an indication of a leak.

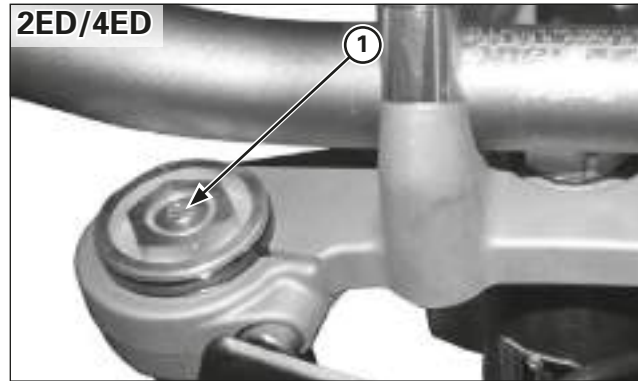
The fork should always be adjusted for the rider's weight and track conditions by using one or more of the following methods.

Basically, there are two adjustments you can make to the front suspension:

- Rebound damping (right fork)
Turning the rebound damping adjuster adjusts how quickly the fork extends.
- Compression damping (right fork)
Turning the compression damping adjuster adjusts how quickly the fork compressed.
- Spring pre-load (left fork)
Turning the spring pre-load adjuster adjusts the spring initial pre-load length.
- Fork fluid volume
The effects of higher or lower fork fluid level are only felt during final fork travel.

Standard position:

7 ± 0.5 turns out from full soft



(1) REBOUND ADJUSTER

Replace the fork fluid every 6 months. See page 5-8, 5-11 for oil level adjustment after changing the fork fluid.

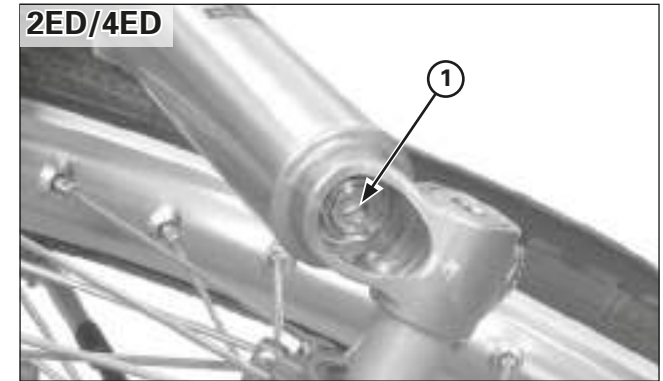
Use specified fork fluid which additives to assure maximum performance of your Cota's front suspension.

Specified fork fluid:

Showa SS05 (SAE 5W) or equivalent

Standard position:

20 ± 2 clicks from full hard

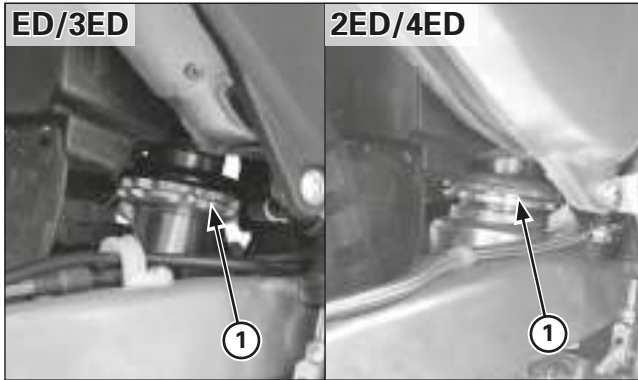


(1) COMPRESSION ADJUSTER

- Periodically check and clean all front suspension parts to assure top performance. Check the dust seals for dust, dirt and foreign materials. Check the fluid for any contamination.
- Make rebound damping adjustments in one-click increments. Adjusting two or more clicks at a time may cause you to pass over the best adjustment. Test ride after each adjustment.
- If you become confused about adjustment settings, return to the standard position and start over.

Standard position:

17 ± 2 clicks from full hard

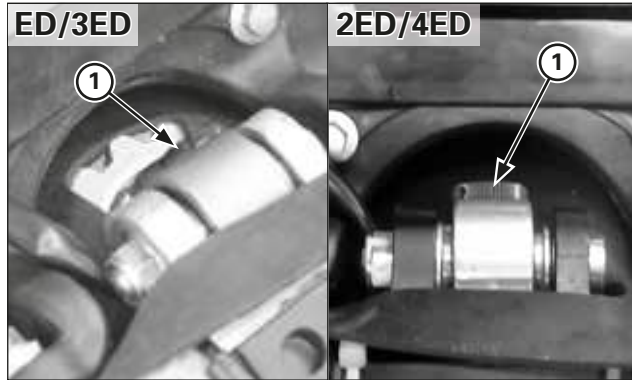


(1) PRE-LOAD ADJUSTER

Rear Suspension

The swingarm is controlled by a shock absorber. The rear shock absorber should always be adjusted for the rider's weight and track conditions by using one or more of the following methods.

- Spring pre-load
Turning the spring pre-load adjuster adjusts the spring initial pre-load length.
- Rebound damping
Turning the rebound damping screw adjusts how quickly the shock absorber extends.

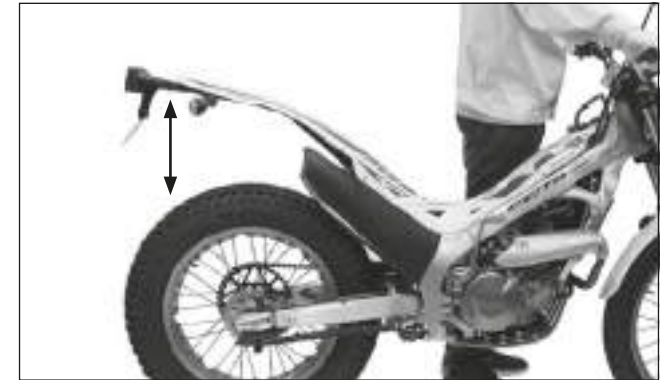


(1) REBOUND ADJUSTER

- When your Cota is new, your suspension will break-in as you ride.
- After break-in is completed, test ride your Cota with the rear suspension at the standard setting before attempting any adjustments.
- Make all rebound damping adjustment in one-click increments. Adjusting two or more clicks at a time may cause you to pass over the best adjustment. Test ride after each adjustment.
- If you become confused about adjustment settings, return to the standard position and start over.

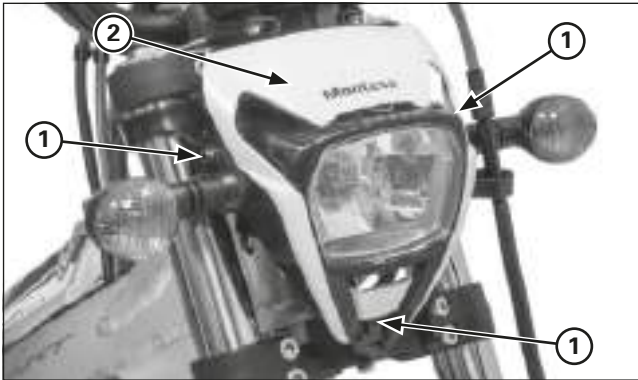
Standard position:

ED/3ED: 12 ± 2 clicks from full hard
2ED/4ED: 10 ± 2 clicks from full hard



Inspection

1. Check for a broken or collapsed spring.
2. Bounce the rear of the machine up and down and check for smooth suspension action.
3. Check the rear shock absorber for a bent shaft or oil leaks.
4. Push the rear wheel sideways to check for worn or loose swingarm bearings. There should be no movement. If movement is felt, replace the pivot bearings (page 5-19).

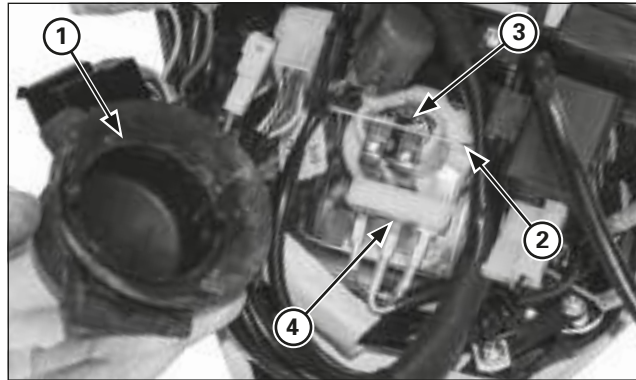


(1) SCREWS
(2) THE HOUSING FOR THE UPPER HEADLIGHT

Front headlight and front and rear position light.

Replacing the bulbs

- Bear in mind the following when replacing the front headlight bulb.
 - Use clean gloves when replacing the bulb. Do not touch the front headlight bulb with your fingertips, since this could produce hot spots on the bulb and cause it to break.
 - If you touch the bulb with your bare hands, clean it with a cloth moistened with alcohol to prevent its early failure.
- Ensure that you replace the dust cover after changing the front headlight bulb.
- The bulb for the front headlight gets very hot when it is on and remains hot for a while after the front headlight has been turned off. Ensure that you leave it to cool before carrying out any maintenance work.



(1) DUST COVER
(2) BULB PAWL
(3) BULB
(4) CONNECTORS

- Remove the housing for the upper headlight.
- Disconnect the connectors.
- Remove the dust cover.
- Unhook the bulb pawl.
- Remove the front headlight bulb .

AVISO

Do not touch the bulb. Fingerprints may create hot spots that cause the bulb to break.

Fit the bulb, while aligning its tabs with the slots on the front headlight unit.
Hook the bulb pawl in the slot of the front headlight unit.
Firmly replace the dust cover on the headlight.
Replace the housing for the upper headlight.

Service and maintenance

Cleaning

Clean your COTA regularly to protect the surface finishes and inspect for damage, wear or oil leakages. When washing your COTA, always use water and a mild detergent (such as dishwashing liquid) to avoid discoloring the decals.

NOTICE

High pressure water (or air) can damage certain parts of the motorcycle.

Wheel hubs.
Light and engine stop switch.
Muffler outlet.
Electrical components.
Drive Chain.
Brake and clutch master cylinder.
Rubber components.
Plastic components.
Stickers, decals.
Air duct.

1. After cleaning, rinse your COTA thoroughly with plenty of clean water. Detergent residue can corrode alloy parts.
2. Dry your COTA, start the engine, and let it run for several minutes.
3. Lubricate the drive chain immediately after washing and drying your COTA.
4. Test the brakes before riding your COTA. Several applications may be necessary to restore normal braking performance. Braking performance may be impaired immediately after washing your COTA.

Storage

Extended storage, such as for winter, requires that you take certain steps to reduce the effects of non-use. In addition, it is useful to do the necessary repairs BEFORE storing your COTA, as if you don't you could forget these repairs when you use it again.

Preparing The Motorcycle For Storage

1. Completely clean all parts of your COTA. Wash with fresh water and wipe dry.
2. Drain the fuel tank into an approved gasoline container.

WARNING

Gasoline is highly flammable and is explosive. You can be burned or seriously injured when draining or refueling.

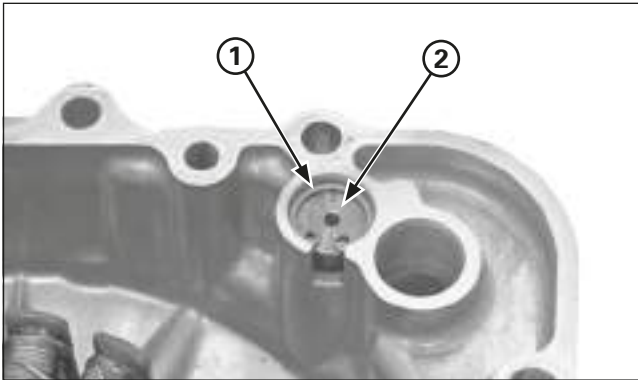
- **Stop engine and keep heat, sparks, and flame away.**
- **Drain or refuel only outdoors.**
- **Wipe up spills immediately.**

3. Remove the coolant drain bolt at the water pump cover to drain coolant. Drain coolant into a proper container. After the coolant has been completely drained, ensure that the drain bolt sealing washer is in good condition and reinstall the drain bolt.
4. Lubricate the drive chain.
5. Remove the spark plug and pour a table spoon (15 – 20 cm³) of clean engine oil into the cylinder. With the spark plug grounded or the Engine Stop Switch pushed, crank the engine several times to distribute the oil.

6. Inflate the tires to their recommended pressure.
7. Place your COTA on the maintenance stand or equivalent to raise both tires off the ground.
8. Stuff a rag into the muffler outlet. Then tie a plastic bag over the end of the muffler to prevent moisture from entering.
9. Cover your COTA and store in a place which is free of humidity and dust.

Removal from Storage

1. Uncover and clean your COTA.
Change the engine and transmission oil if more than 4 months have passed since the start of storage.
2. Uncover the end of the muffler and remove the rag from the muffler outlet.
3. Fill the fuel tank with recommended fuel.
4. Pour the recommended coolant slowly from the radiator filler neck.
Bleed the air in the cooling system and install the radiator cap securely (page 1-3).



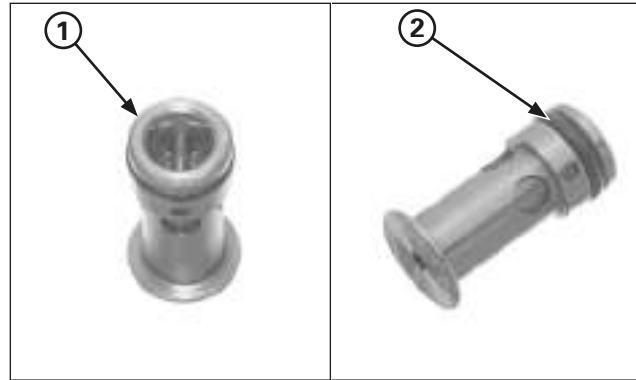
(1) SNAP RING
(2) PRESSURE RELIEF VALVE

Oil Pressure Relief Valve

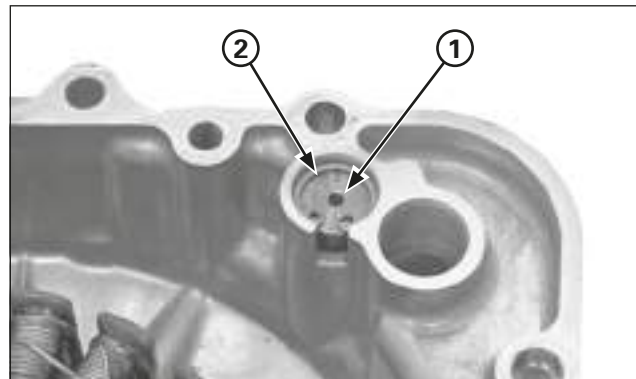
Removal/Inspection

Drain the engine oil.
Remove the left crankcase cover (page 4-49).

Remove the snap ring.
Remove the pressure relief valve from the left crankcase cover.



(1) RELIEF VALVE
(2) O-RING

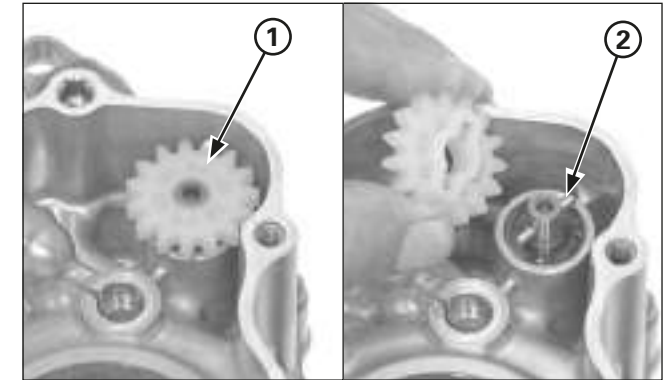


(1) PRESSURE RELIEF VALVE
(2) SNAP RING

Check the relief valve operation by pushing the relief valve piston.

Installation

Apply oil to a new O-ring and install it onto the relief valve groove.
Install the relief valve into the left crankcase cover.
Install the snap ring into the crankcase cover groove securely.
Install the left crankcase cover (page 4-51).



(1) DRIVEN GEAR
(2) DRIVE PIN

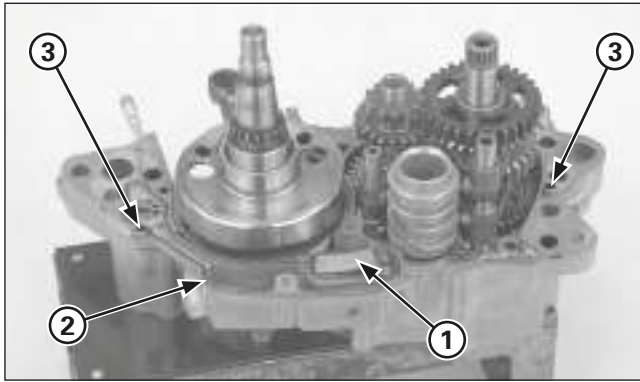
Oil Pump

Disassembly

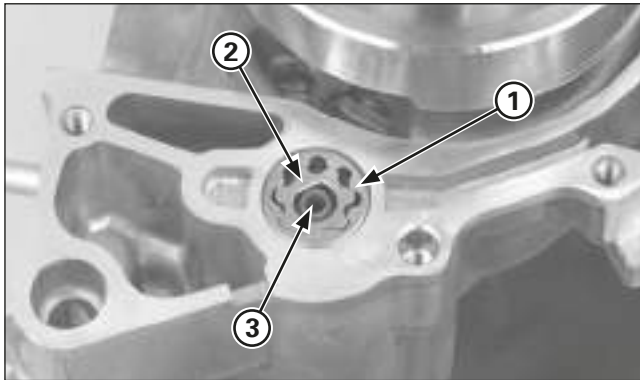
Remove the engine from the frame.
Separate the crankcase halves (page 4-54).

Remove the oil pump driven gear and drive pin.

Engine servicing



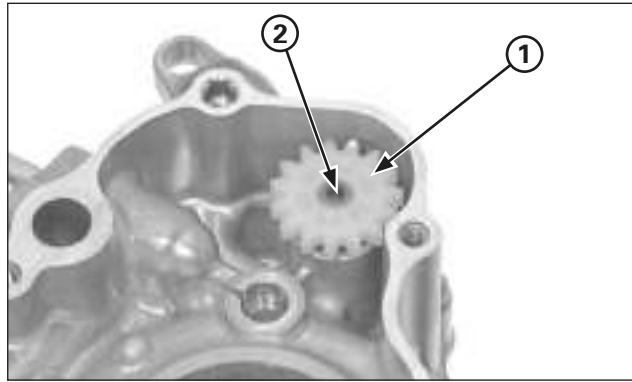
- (1) ONE-WAY REED VALVE
- (2) GASKET
- (3) DOWEL PINS



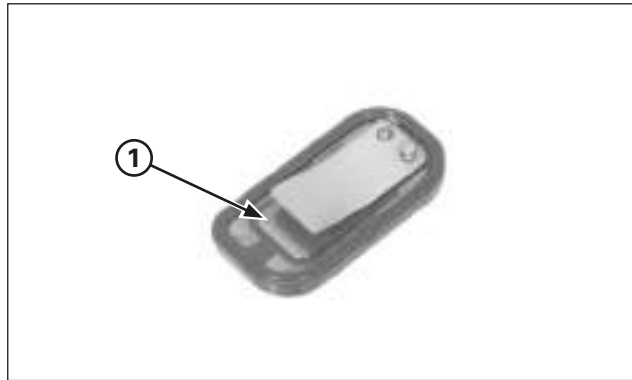
- (1) OUTER ROTOR
- (2) INNER ROTOR
- (3) OIL PUMP SHAFT

Remove the one-way reed valve, gasket and dowel pins.

Remove the oil pump shaft, outer and inner rotors.



- (1) DRIVEN GEAR
- (2) OIL PUMP SHAFT

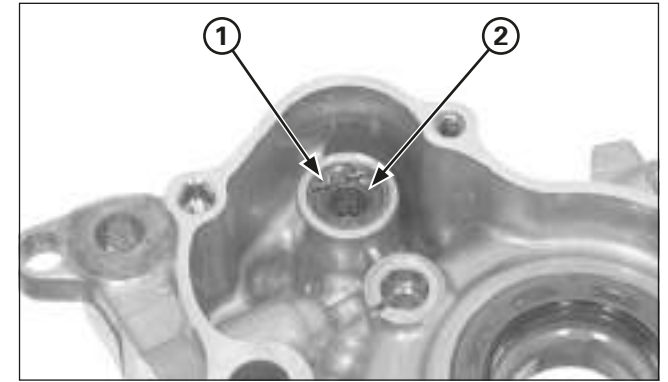


- (1) ONE-WAY REED VALVE

Inspection

Check the oil pump driven gear for wear or damage.
Check the oil pump shaft for wear or damage.

Check the one-way reed valve for damage, replace if necessary.



- (1) SNAP RING
- (2) OIL SEAL

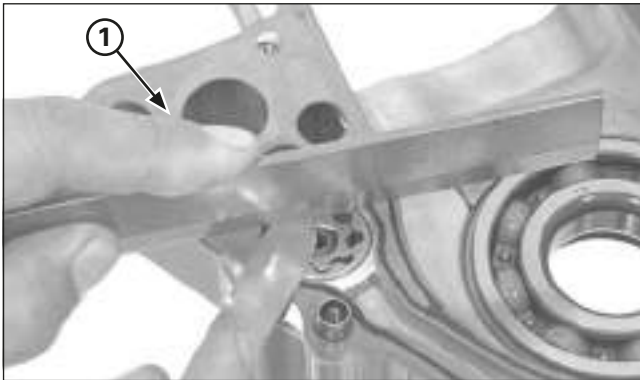


Check the oil pump shaft oil seal in the left crankcase for damage or deterioration, replace if necessary.

Temporarily install the oil pump shaft, inner and outer oil pump rotors into the right crankcase.

Measure the oil pump tip clearance.

Service limit: 0.20 mm (0.008 in)



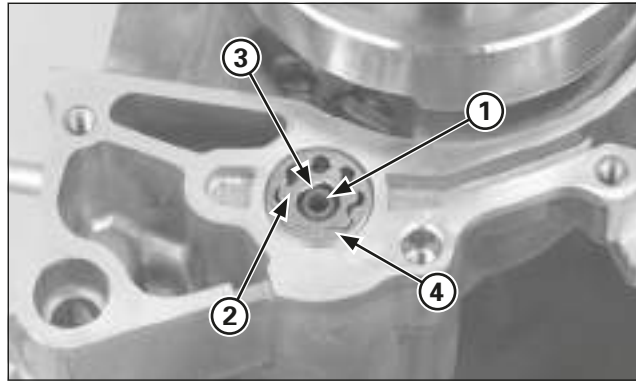
(1) GASKET

Measure the oil pump body clearance.

Standard: 0.15 – 0.20 mm (0.006 – 0.008 in)

Temporarily install the crankcase gasket. Measure the side clearance using a straight edge and feeler gauge.

Standard: 0.05 – 0.12 mm (0.002 – 0.004 in)

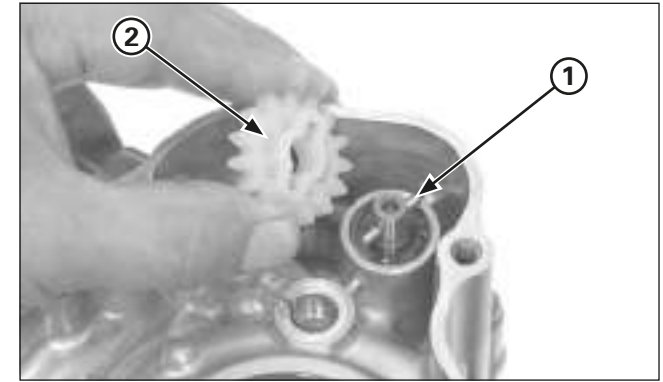


(1) OIL PUMP SHAFT
(2) INNER ROTOR (3) FLAT SURFACES
(4) OUTER ROTOR

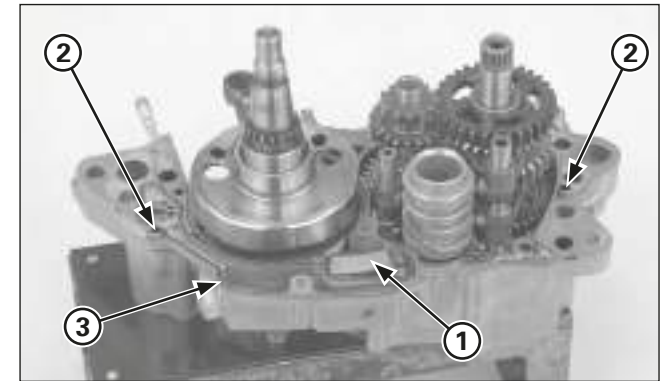
Assembly

Apply clean engine oil to the oil pump rotors and shaft.

Install the oil pump shaft into the right crankcase. Install the inner rotor aligning the flat surface between the rotor and pump shaft. Install the outer rotor.



(1) DRIVE PIN
(2) DRIVEN SPROCKET



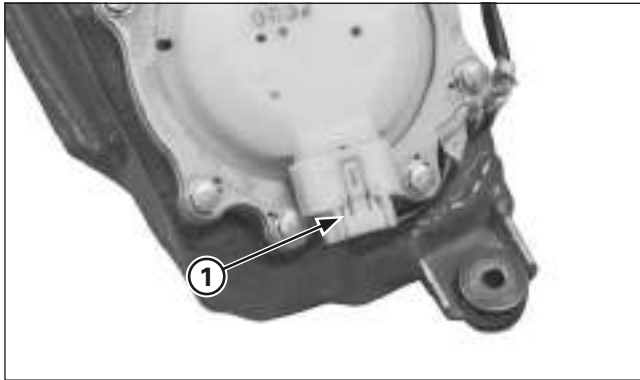
(1) ONE-WAY REED VALVE
(2) DOWEL PINS
(3) NEW GASKET

Install the drive pin into the oil pump shaft hole. Install the oil pump driven sprocket aligning its groove with the drive pin.

Install the one-way reed valve into the right crankcase. Note the direction of the reed valve. Install the dowel pins and new gasket. Assemble the crankcase.

Install the removed parts in the reverse order of removal.

Engine servicing



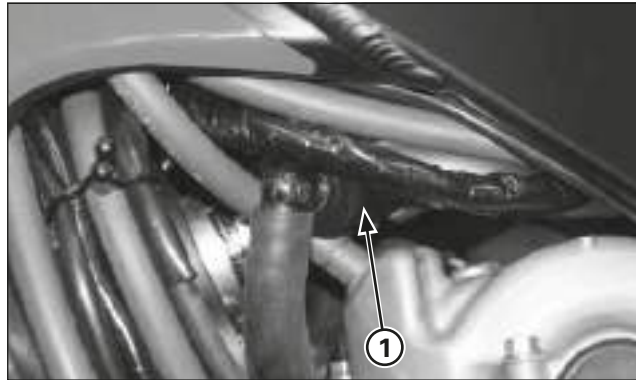
(1) 5P CONNECTOR

Disassembly / Installation of fuel feed hose

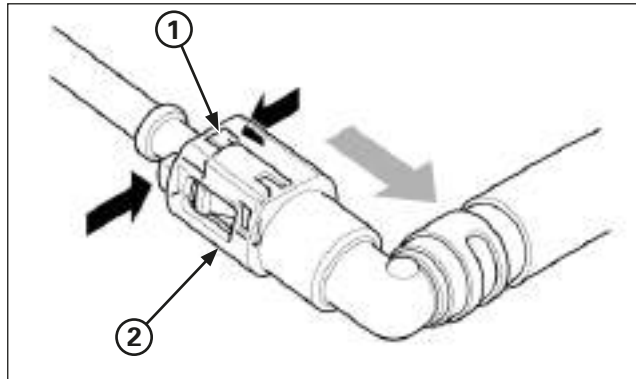
The pawl of the fast connector must be changed every time the fuel feed hose is disconnected.

Disassembly of fuel pump side

Turn off the engine.
Remove the rear fender
Pull up the fuel tank
Disconnect the fuel pump's 5P connector.
Turn on the engine until it stops.

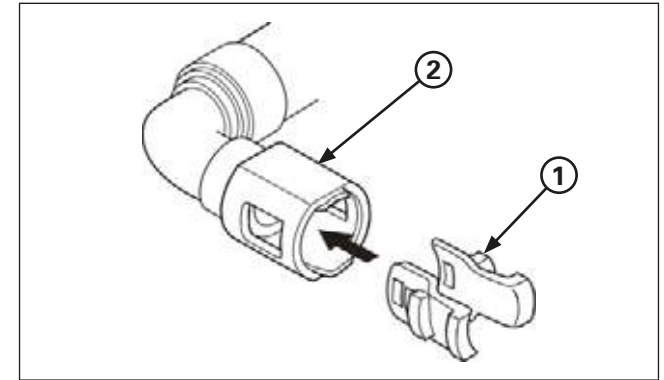


(1) FAST CONNECTOR PROTECTOR

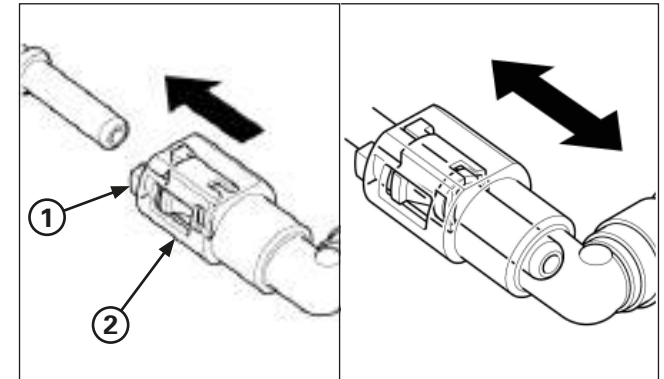


(1) PAWL
(2) FAST CONNECTOR

1. Remove the protective housing from the fast connector.
2. Check whether the connector is dirty and clean if necessary. Cover the fast connector with a cloth.
3. Hold fast connector with one hand and tighten the two pins of the pawl with the other hand while pulling the connector backwards. Disconnect the fast connector and remove the pawl.



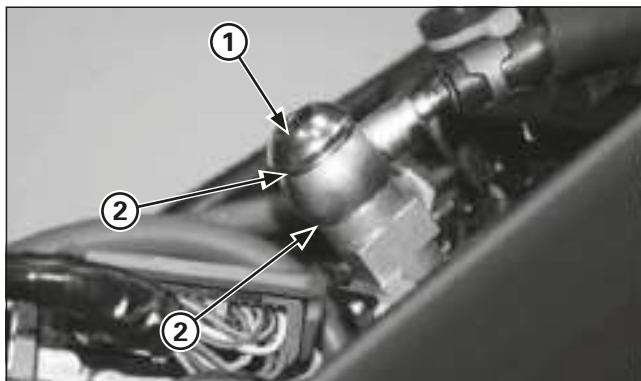
(1) PAWL
(2) FAST CONNECTOR



(1) PAWL
(2) FAST CONNECTOR

Installation of fuel pump side

1. Insert a new pawl in the fast connector. Insert the fast connector in the fuel pump feed hose until it clicks. If this is hard to do, apply a small amount of motor oil to the fuel pump feed hose.
2. Move the fast connector backwards to check that it does not come out and is firmly connected.
3. Place the protective housing over the fast connector.



(1) BANJO BOLT
(2) SEALING WASHER

Fuel Line Inspection

Fuel Pressure Inspection

WARNING

Gasoline is highly flammable and is explosive. You can be burned or seriously injured.

- Stop engine and keep heat, sparks, and flame away.
- Refuel only outdoors.
- Wipe up spills immediately.

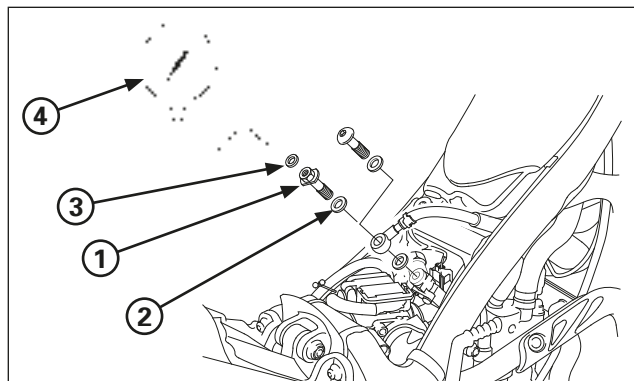
NOTICE

Before disconnecting the fuel hoses, release the fuel pressure by loosening the fuel feed hose banjo bolt at the injector holder.

Always replace the sealing washers when the fuel hose banjo bolt is removed or loosened.

Remove the rear fender.

Cover the fuel feed hose banjo bolt with a rag or shop towel.
Slowly loosen the banjo bolt and catch the remaining fuel using an approved gasoline container.

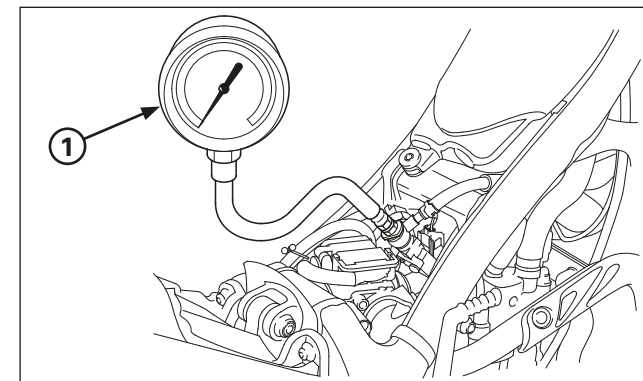


(1) MANOMETER ADAPTER, 12 MM
(2) SEALING WASHER, 12 MM
(3) SEALING WASHER, 6 MM
(4) F. PRESSURE GAUGE

Remove the fuel feed hose banjo bolt and attach the fuel pressure gauge with the following Montesa Genuine parts.

- Manometer adapter, 12 mm**
part No. 90008-PP4-E02
- Sealing washer, 12 mm**
part No. 90428-PD6-003
- Sealing washer, 6 mm**
part No. 90430-PD6-003

- Tool:**
- Fuel pressure gauge** 07406-0040003 or
 07406-0040002



(1) FUEL PRESSURE GAUGE

Start the engine.
Read the fuel pressure at idle speed.

Idle Speed: 1,800 ± 100 min-1 (rpm)
Standard: 230 kPa (min.) - 320 kPa (max.)
(2.34 kgf/cm² - 3.26 kgf/cm², 33 psi- 46 psi)

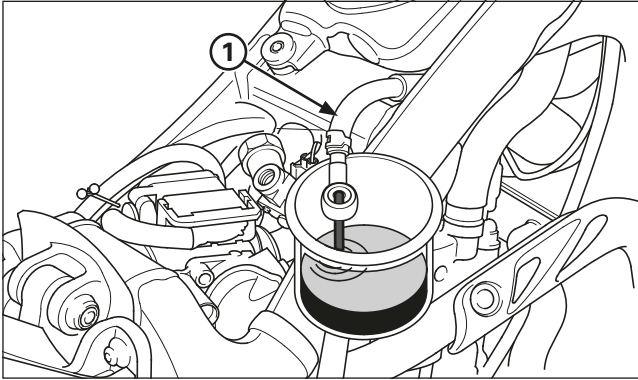
If the fuel pressure is higher than specified, inspect the following:

- Fuel pump (page 4-7)

If the fuel pressure is lower than specified, inspect the following:

- Fuel line leaking
- Clogged fuel filter
- Fuel pump (page 4-7)

Engine servicing



(1) FUEL RETURN HOSE

Fuel Pump Flow Inspection

Remove the rear fender.

Disconnect the banjo bolt and insert the eyelet of the hose in a homologated fuel container.

Raise the fuel tank.

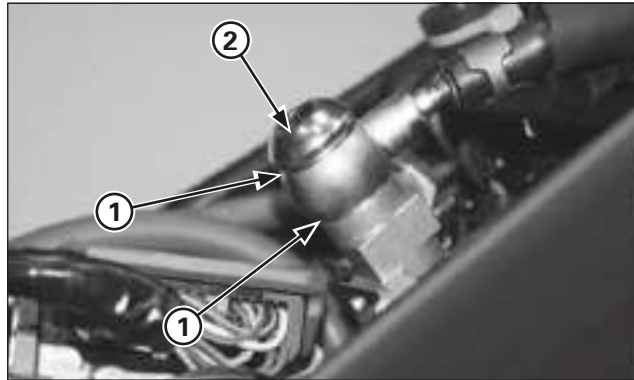
Connect the 12 V battery to the fuel pump 2P connector terminals, check amount of fuel flow for 10 seconds.

Amount of flow:

0.749 l/min (125 cm³ / minimum 10 seg)

If the fuel flow is less than specified, inspect the following:

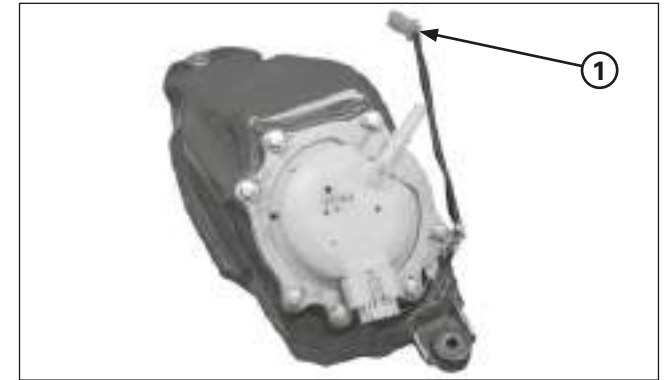
- Pinched or clogged fuel hose
- Clogged fuel filter
- Fuel pump (page 4-7)



(1) SEALING WASHER
(2) BANJO BOLT

After inspection, re-insert the banjo bolt in the fuel feed hose using a new sealing washer.

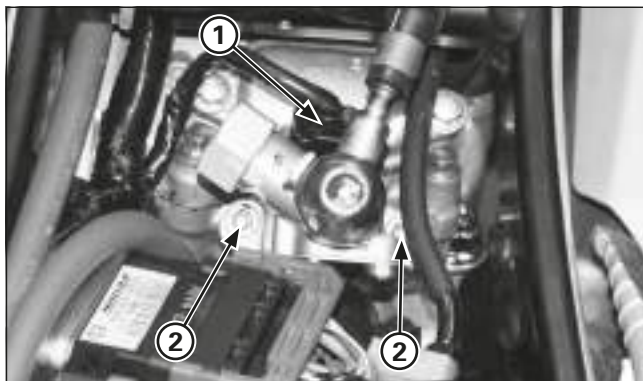
Torque: 22 N·m (2.2 kgf·m, 16.2 lbf·ft)



(1) 2P CONNECTOR

Connect the fuel pump 2P connector.

Start the engine and check for fuel leaks.



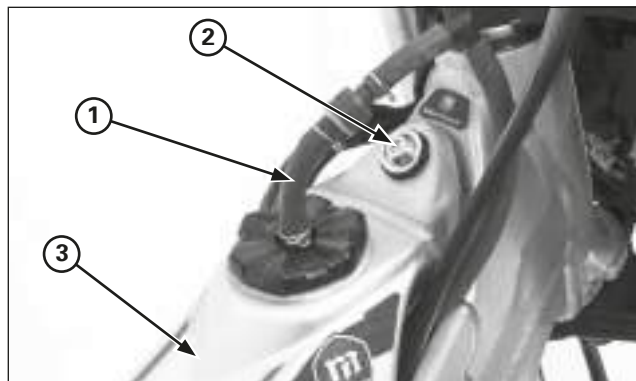
(1) 2P CONNECTOR
(2) SOCKET BOLTS

Fuel Tank/Fuel Pump

Removal

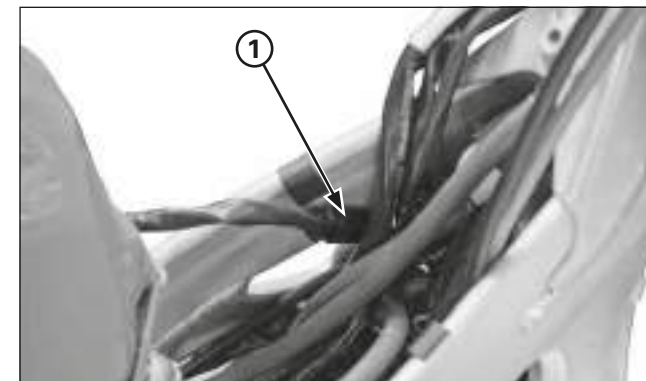
Remove the rear fender.

Disconnect the injector 2P connector.
Remove the injector holder socket bolts.



(1) BREATHER HOSE
(2) BOLT
(3) FUEL TANK

Disconnect the fuel tank breather hose.
Remove the fuel tank mounting bolts.



(1) 2P CONNECTOR

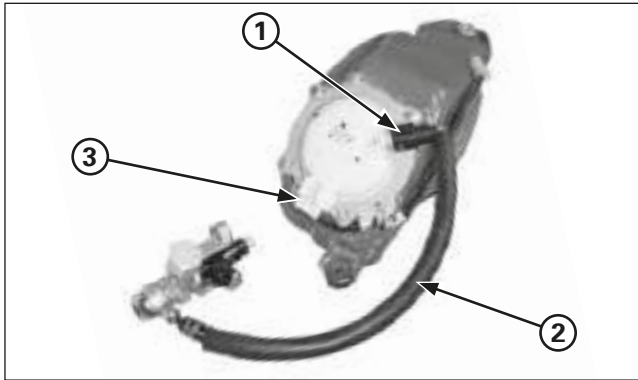
Pull up the fuel tank and disconnect the fuel pump 2P connector.

Remove the fuel tank and injector as an assembly being careful not to damage the injector especially tip of the injector.

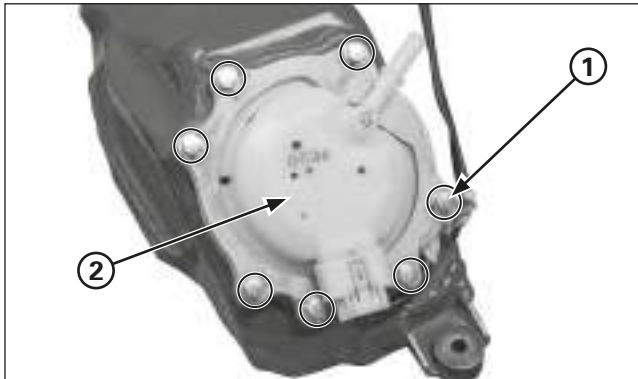
After removing the fuel tank/injector assembly, protect tip of the injector.

Also cover the cylinder head injector hole to prevent dust and dirt fall into the combustion chamber.

Engine servicing



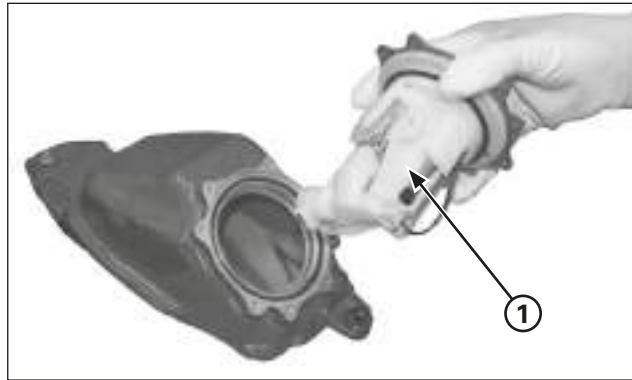
- (1) QUICK CONNECTOR
- (2) FUEL FEED HOSE
- (3) 5P CONNECTOR



- (1) BOLTS
- (2) FUEL PUMP

Remove the 5P connector and fuel feed hose.

Remove the fuel pump base mounting bolts.
Remove the fuel pump assembly being careful not to damage the pump.



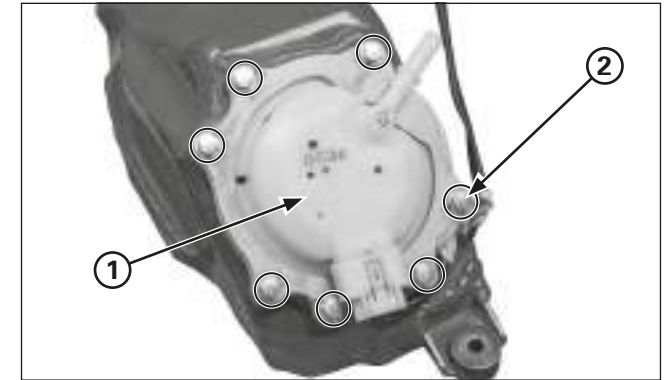
- (1) FUEL PUMP

Installation

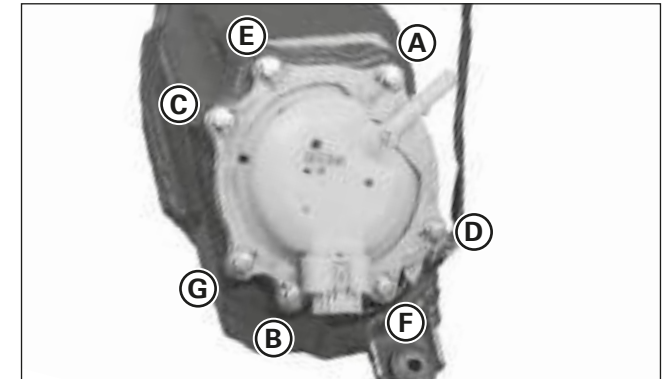
NOTICE

Always replace the packing with a new one when the fuel pump is removed.

Clean any oil off from the mating surface of the fuel pump base and fuel tank.
Install a new packing onto the fuel pump base.
Install the fuel pump assembly into the fuel tank (as pictures shows).
Be careful not to damage the fuel pump wire.
Make sure the packing is seated against the fuel tank.
Also check that the packing is not placed on the fuel tank boss.



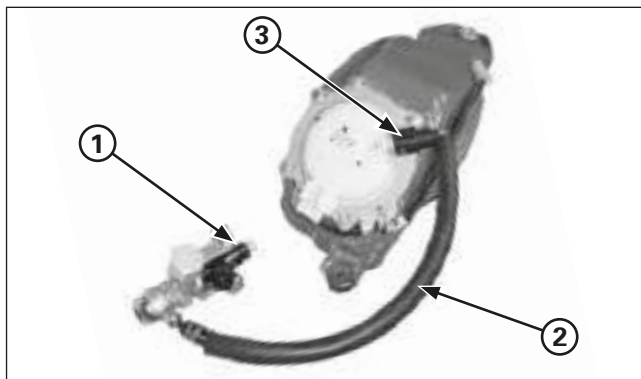
- (1) FUEL PUMP
- (2) BOLTS



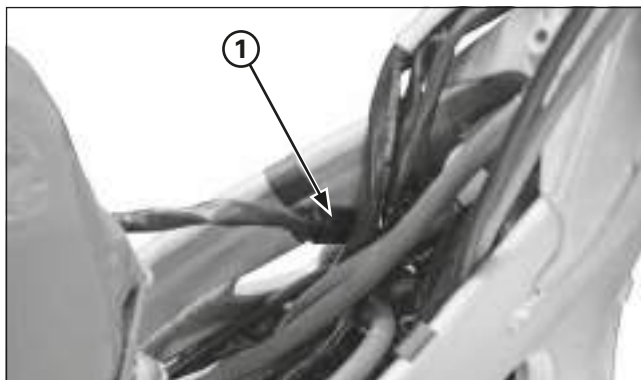
Install the fuel pump mounting bolts.

Tighten the fuel tank mounting bolts in the alphabetical order shown in the illustration.

Torque: 7 - 9 N·m (0.7 - 0.9 kgf·m, 5.1 - 6.6 lbf·ft)



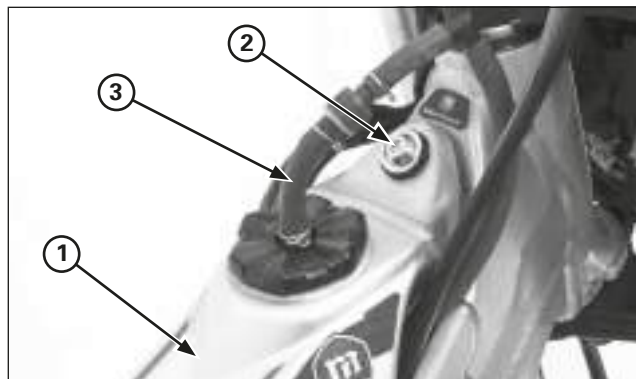
- (1) O-RING (NEW)
- (2) FUEL FEED HOSE
- (3) QUICK CONNECTOR



- (1) 2P CONNECTOR

Always replace the injector O-ring with a new one whenever the injector is removed from the cylinder head. Install a new O-ring into the injector groove. Install the fuel feed hose.

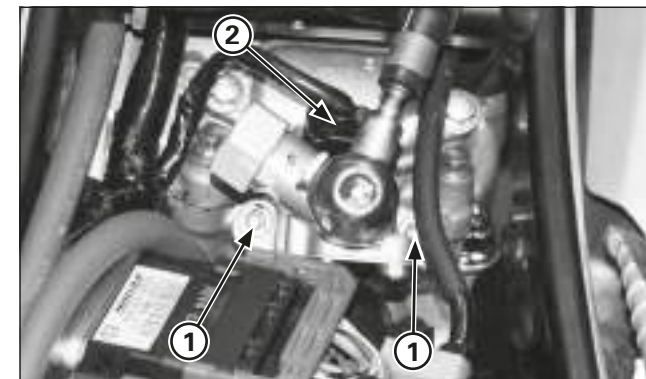
Install the fuel tank onto the frame and connect the fuel pump 2P connector.



- (1) FUEL TANK
- (2) BOLTS
- (3) BREATHER HOSE

Install the fuel tank into the frame being careful not to pinch the throttle cable.

Install and tighten the fuel tank mounting bolts. Connect the fuel tank breather hose to the hose clip.



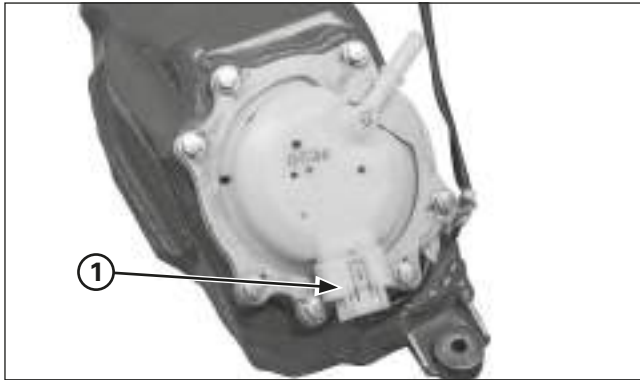
- (1) SOCKET BOLTS
- (2) 2P (BLACK) CONNECTOR

Install and tighten the injector holder socket bolts to the specified torque.

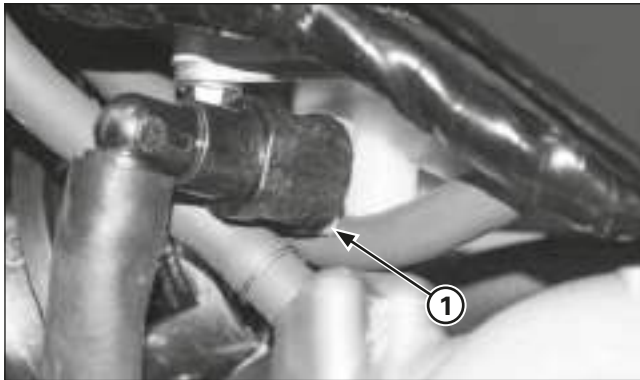
Torque: 8 - 12 N·m (0.8 - 1.2 kgf·m, 5.9 - 8.8 lbf·ft)

Connect the fuel injector 2P (Black) connector.

Install the rear fender.



(1) 5P CONNECTOR

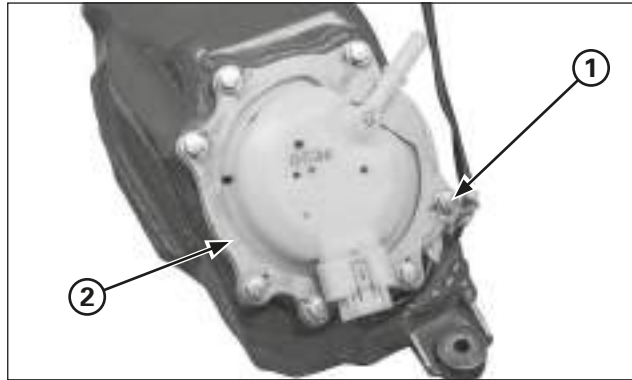


(1) FAST CONNECTOR

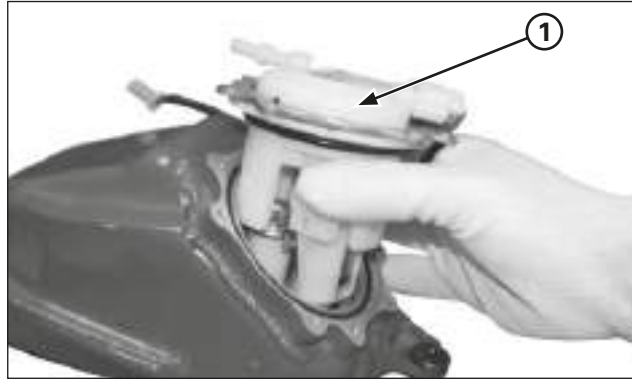
Disassembly of the fuel filter

Disconnect the 5P connector from the fuel pump.

Disconnect the fuel feed hose (page 4-4).



(1) BOLTS
(2) FUEL PUMP BASE

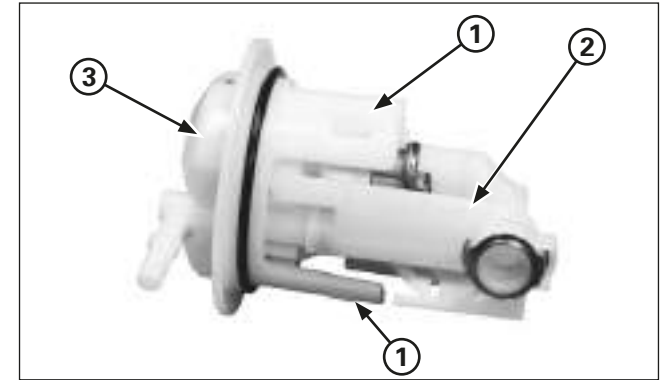


(1) FUEL PUMP

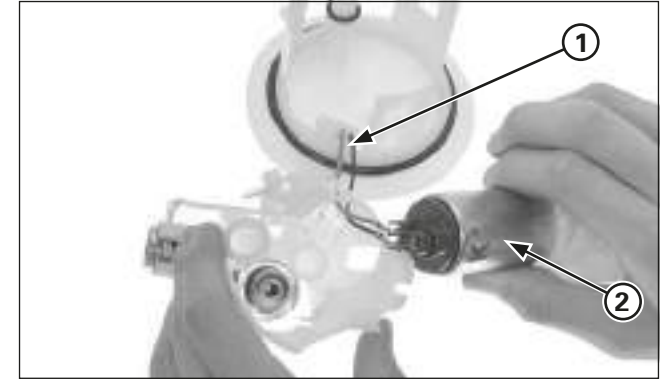
Remove the fuel tank.

Remove the bolts from the fuel pump base and remove the base.

Take the fuel pump out of the fuel tank, taking care not to damage the pump or electric cables.



(1) PAWL
(2) PUMP BODY
(3) PUMP



(1) CABLE TERMINALS
(2) PUMP ENGINE/FILTER

Cleaning the fuel filter

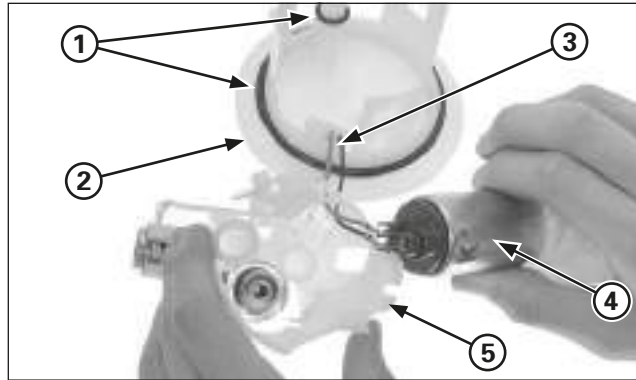
Press the three pawls between the pump body and the pump. Remove the body from the pump.

Disconnect the cable terminals (take note initial position). Disassemble the engine/filter system from the pump body.



(1) FILTER SURFACE

Clean the surface of the filter.



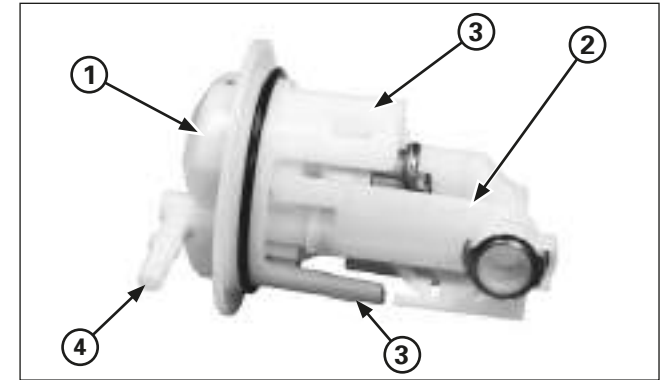
(1) BEARINGS (4) MOTOR
(2) PUMP (5) BODY
(3) ENGINE CABLES

Replace the bearings with new ones every time the fuel pump is disassembled.

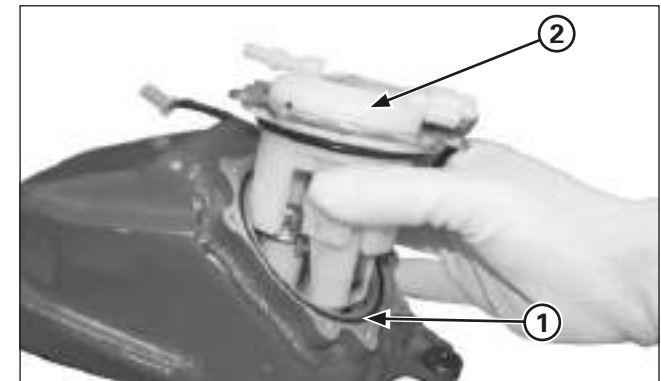
Clean the contact surface between the pump and the fuel tank. Install new bearings. Apply a small amount of engine oil for installation.

Thread the engine cables through the holes and connect them to the terminals.
Insert a new bearing in the fuel hose.
Insert the pump engine in the body.

Be careful not to damage the cables



(1) PUMP (3) PAWL
(2) BODY (4) CONNECTING PIPE



(1) BEARING (2) PUMP

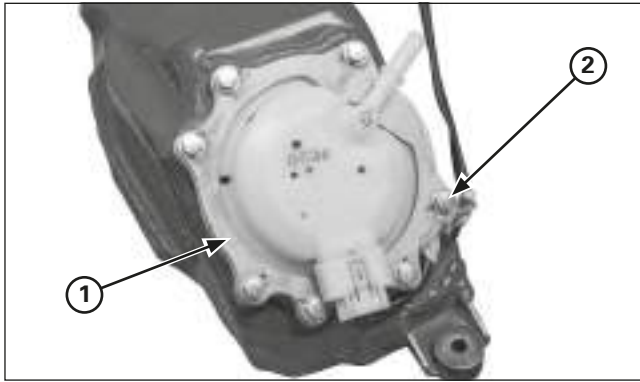
Assembly

Insert the body in the pump system.
Make sure that the pawls are tightly closed and that the two pieces are perfectly positioned.

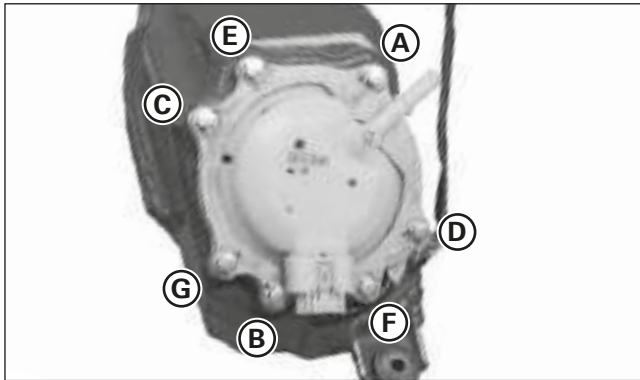
Insert a new bearing in its housing in the tank as shown.
Insert the pump in the tank, taking special care not to damage the bearings. Apply a small amount of engine oil for installation.

Make sure that the bearing is properly positioned and supported in the fuel tank.

Engine servicing



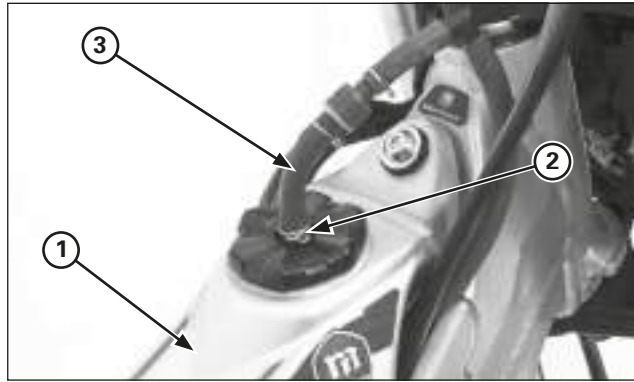
- (1) FUEL PUMP BASE
- (2) BOLTS



Insert the mounting bolts in the pump.
Place the pump base in its position as shown.

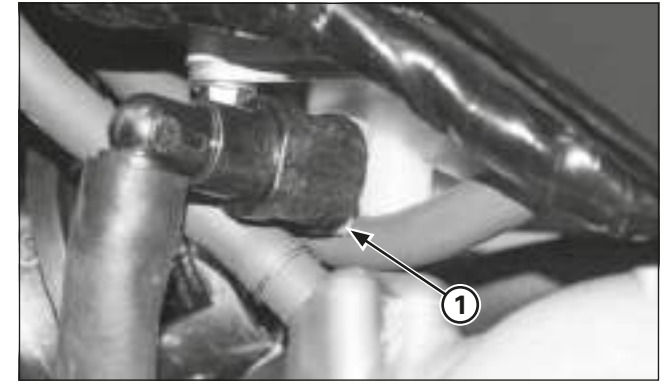
Tighten the pump mounting bolts in alphabetical order as shown in the image.

Torque: 7 - 9 N·m (0.7 - 0.9 kgf·m, 5.1 - 6.6 lbf·ft)

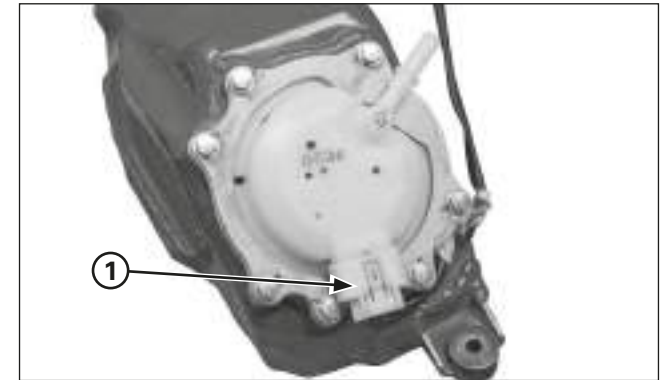


- (1) TANK
- (2) CLIP
- (3) BREATHER HOSE

Mount the tank on the chassis.
Connect the breather hose to the tank and secure it with the clip.



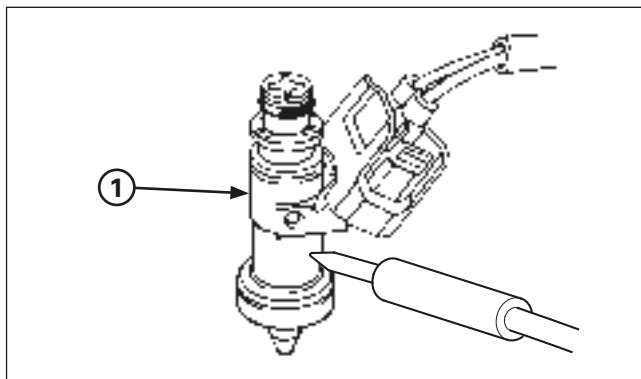
- (1) PUMP CONNECTOR



- (1) 5P CONNECTOR

Insert the fast connector in the pump (page 4-4).

Connect the fuel pump's 5P connector.



(1) INJECTOR

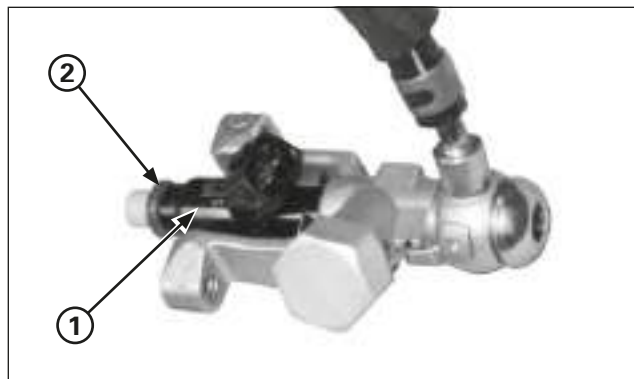
Injector

Inspection

Remove the rear fender.

Start the engine and let it idle.
Confirm the injector operating sounds with a sounding rod or stethoscope.

If the injector does not operate, replace the injector.

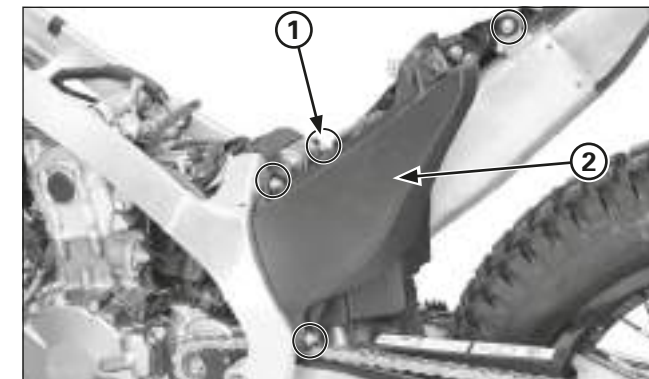


(1) INJECTOR
(2) NEW O-RING

Removal/Installation

Do not remove the injector from the injector holder.
Replace the injector and holder as an assembly.

Always replace the O-ring when the fuel injector assembly is removed from the cylinder head.



(1) BOLTS/NUTS
(2) AIR CLEANER HOUSING

Throttle Body

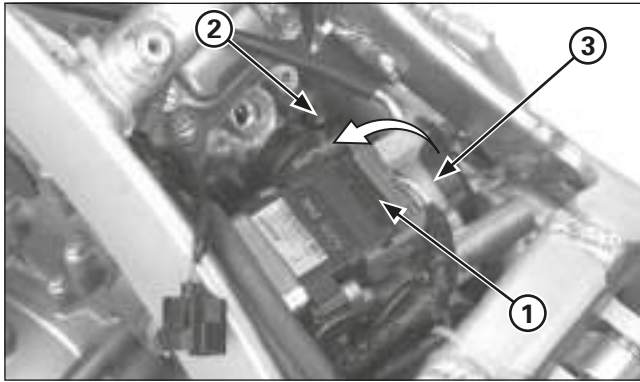
Removal

Remove the rear fender.

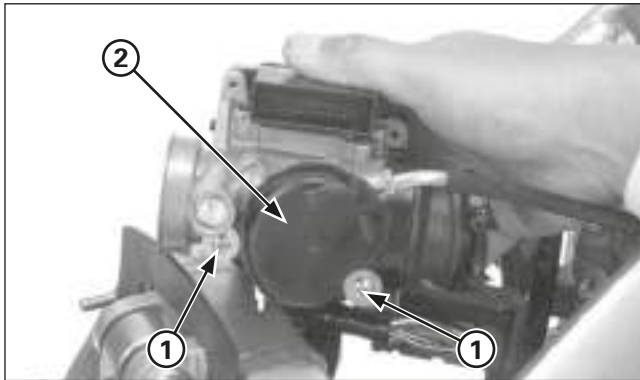
Loosen the connecting tube band screw.
Remove the silencer mounting bolt.
Remove the air cleaner housing mounting nuts and bolt.

Pull the air cleaner housing backward being careful not to damage the wire harness.
Disconnect the crankcase breather hose from the housing joint.

Engine servicing



- (1) 32P (BLACK) CONNECTOR
- (2) BAND SCREW
- (3) THROTTLE BODY

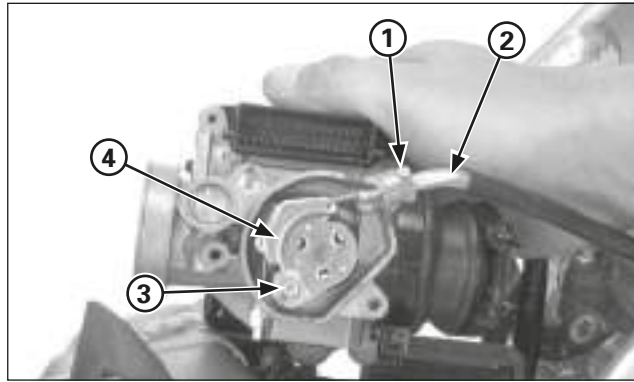


- (1) SCREWS
- (2) THROTTLE DRUM COVER

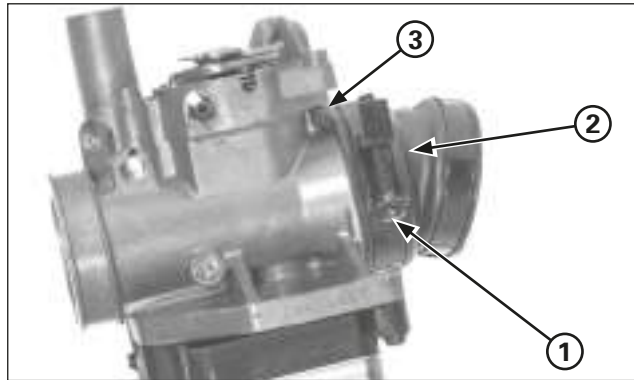
Disconnect the ECM 32P (Black) connector.
Loosen the insulator band screw, then remove the throttle body.

Be careful to not pull connector from throttle body, pull up fixation handle.

Remove the screws and throttle drum cover.



- (1) LOCK NUT
- (2) THROTTLE CABLE
- (3) THROTTLE CABLE END
- (4) THROTTLE DRUM



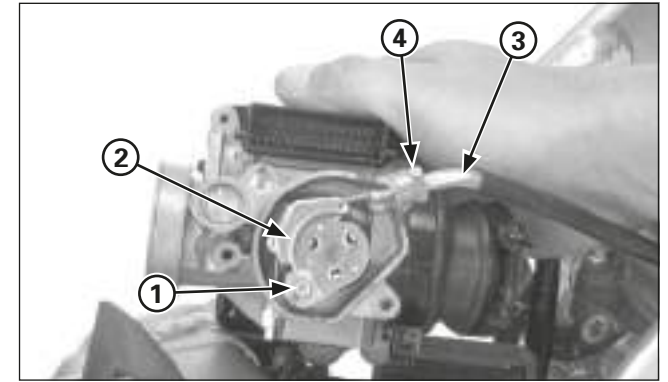
- (1) SCREW
- (2) INSULATOR
- (3) ALIGN

Loosen the lock nut, then disconnect the throttle cable from the throttle body.
Then disconnect the cable end from the throttle drum.

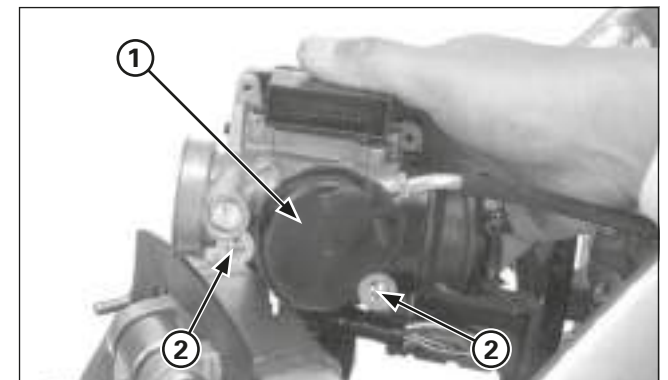
Loosen the insulator clamp screw, then remove the insulator from the throttle body.

Installation

Install the insulator onto the throttle body while aligning its slit with the lug on the throttle body as shown.



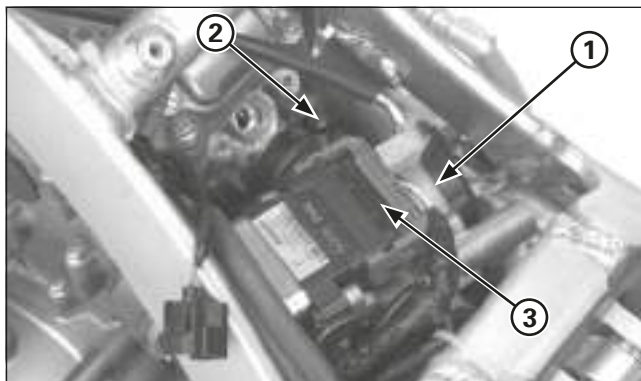
- (1) THROTTLE CABLE END
- (2) THROTTLE DRUM
- (3) THROTTLE CABLE
- (4) LOCK NUT



- (1) THROTTLE DRUM COVER
- (2) SCREWS

Connect the throttle cable end to the throttle drum.
Install the throttle cable to the throttle body.
Adjust the throttle grip free play.

Install the throttle drum cover and tighten the screws.



- (1) THROTTLE BODY
- (2) BAND SCREW
- (3) 32P (BLACK) CONNECTOR

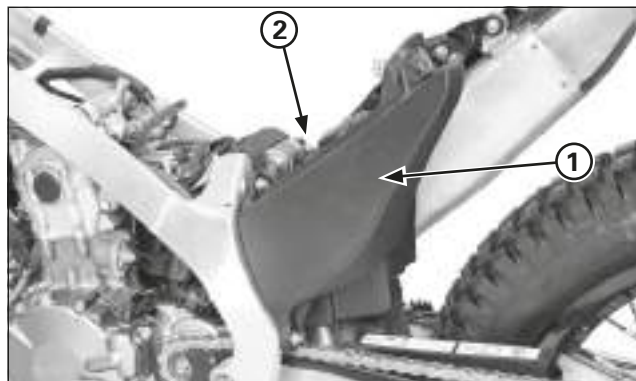
Install the throttle body together with insulator at cylinder head inlet port.

Make sure there are following clearance between the throttle body:

- Throttle body-to-bank angle sensor: more than 5 mm
- Throttle body-to-silencer: more than 5 mm

Adjust the insulator band angle, tighten the band screw securely.

Connect the ECM 32P (Black) connector.



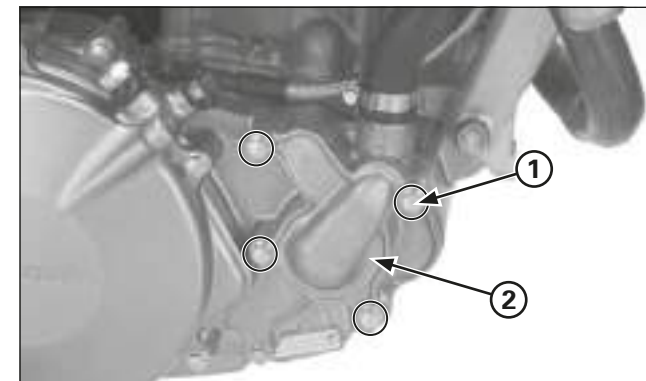
- (1) AIR CLEANER HOUSING
- (2) BOLTS/NUTS

Install the air cleaner housing onto the frame and connect the crankcase breather hose.

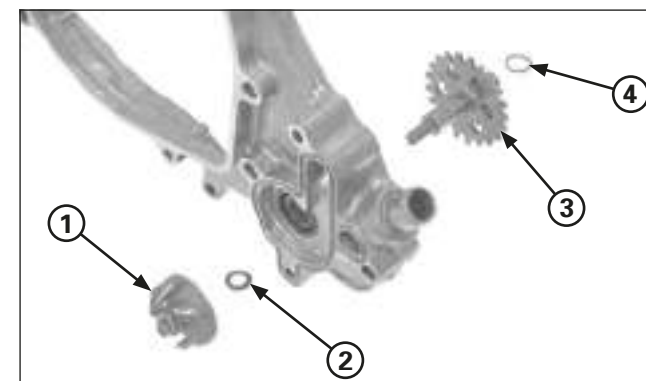
Install and tighten the air cleaner housing mounting nuts and bolt securely.
Install the washer and silencer mounting bolt, then tighten the bolt securely.

Adjust the angle of the connector tube clamp and tighten the screw firmly.

Install the rear fender.



- (1) BOLTS
- (2) WATER PUMP COVER



- (1) IMPELLER
- (2) COPPER WASHER
- (3) WATER PUMP SHAFT
- (4) WASHER

Water Seal And Bearing Replacement

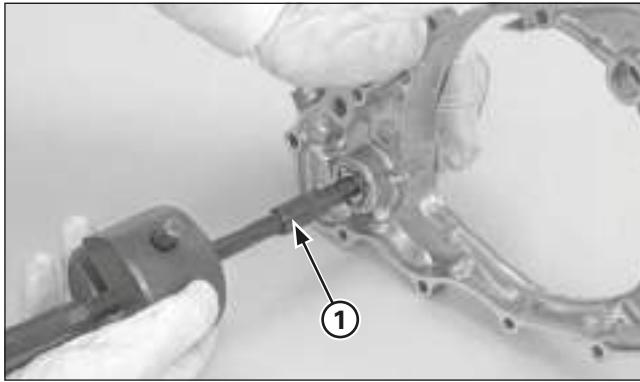
Drain the transmission oil (page 3-8).

Remove the following:

- Water pump cover bolt/cover/dowel pins/O-ring
- Right crankcase cover and washer (page 4-40)

Hold the water pump gear teeth using a suitable tool, then remove the impeller, copper washer and water pump shaft.

Engine servicing



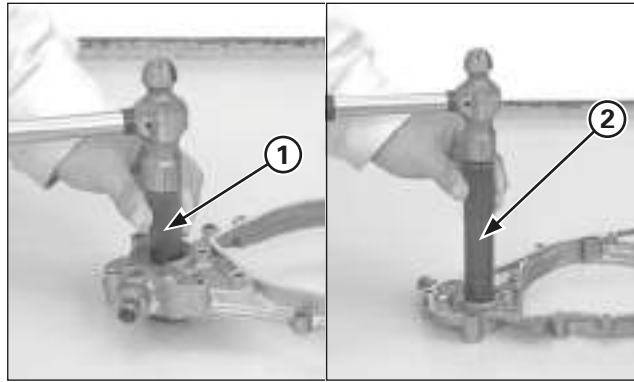
(1) BEARING REMOVER, 12 MM

Remove the water pump bearing from the right crankcase cover using the special tools.

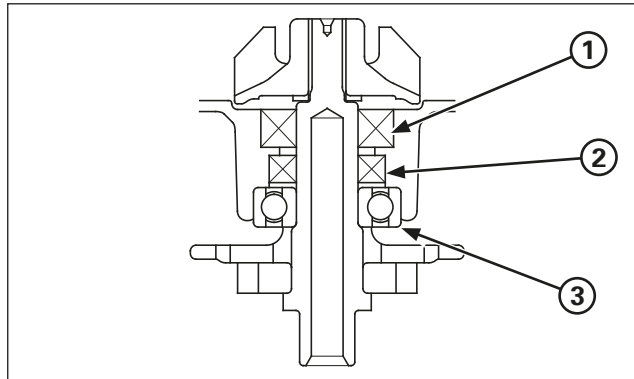
Tools:

Bearing remover, 12 mm	Generic tool
- Remover shaft	07936-1660120
- Remover weight	07741-0010201

Remove the oil seal and water seal.



(1) WATER SEAL DRIVER
(2) DRIVER/ATTACHMENT



(1) WATER SEAL
(2) OIL SEAL
(3) BEARING

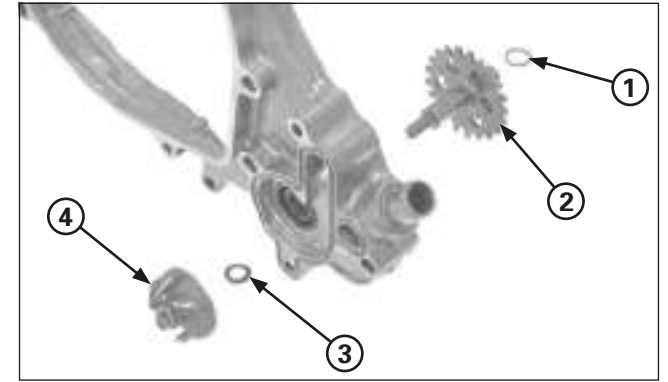
Install the water seal into the right crankcase cover in the direction shown in the illustration above.

Tool:

Water seal driver **07945-KA30000**

Install a new oil seal in the direction shown in the illustration above.

Drive the new bearing into the right crankcase cover (Tools; page 2-8).

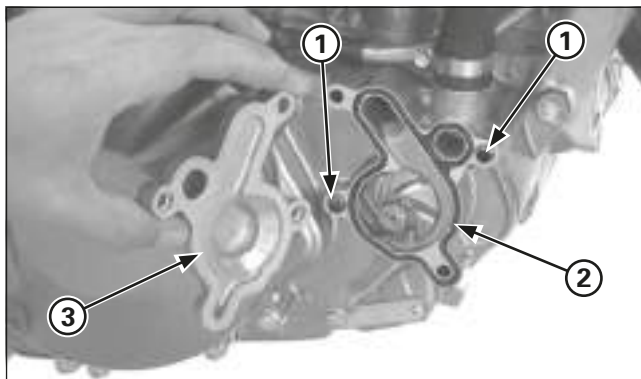


(1) WASHER
(2) WATER PUMP SHAFT
(3) NEW COPPER WASHER
(4) IMPELLER

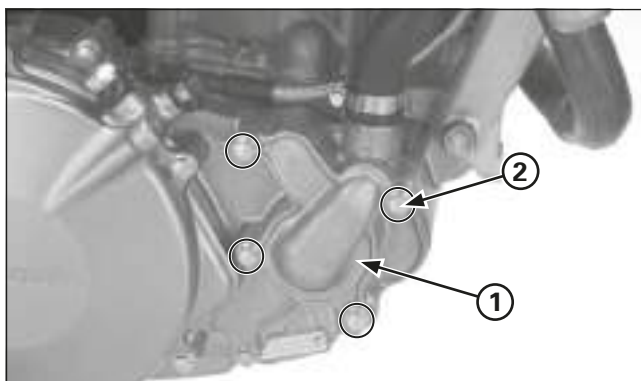
Install the water pump shaft, new copper washer and impeller into the right crankcase cover. Hold the water pump gear using a suitable tool and tighten the impeller to the specified torque.

Torque: 12 N•m (1.2 kgf•m, 9 lbf•ft)

Install the washer and right crankcase cover (page 4-41).



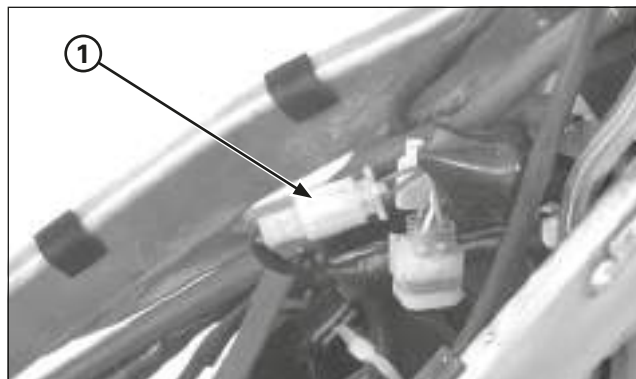
(1) DOWEL PINS
(2) NEW O-RING
(3) WATER PUMP COVER



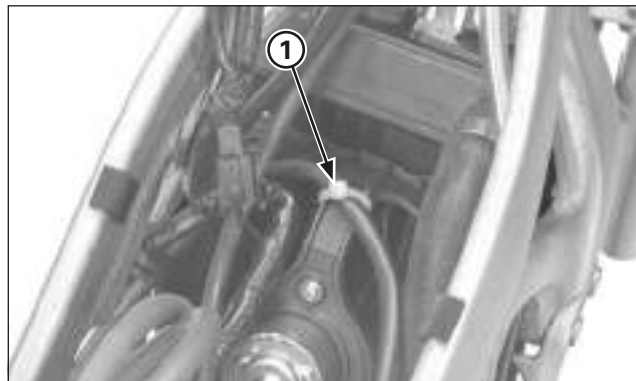
(1) WATER PUMP COVER
(2) BOLTS

- Install the following:
- Dowel pins, new O-ring
 - Water pump cover, bolts

Fill the crankcase with recommended transmission oil (page 3-8).
Fill the coolant and bleed air (page 3-9).



(1) 2P (NATURAL) CONNECTOR



(1) TIE WRAP

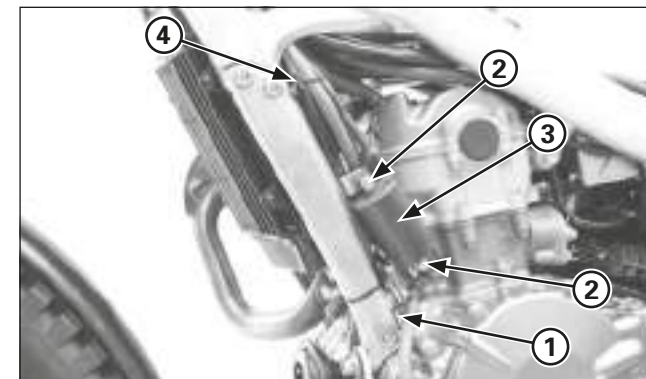
Radiator Removal/Installation

Remove the following:

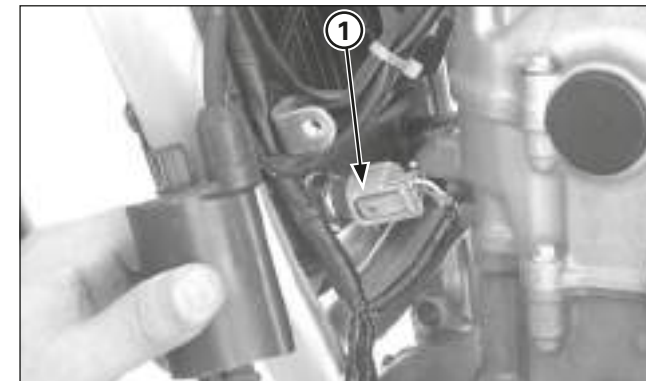
- Exhaust pipe
- Skid plate
- Fuel tank/injector assembly (page 4-7)

Disconnect the radiator 2P (Natural) connector.

Remove the spark plug wire tie-wrap from fan motor shroud.



(1) GROUND EYELET
(2) BOLTS
(3) IGNITION COIL
(4) WIRE CLAMP



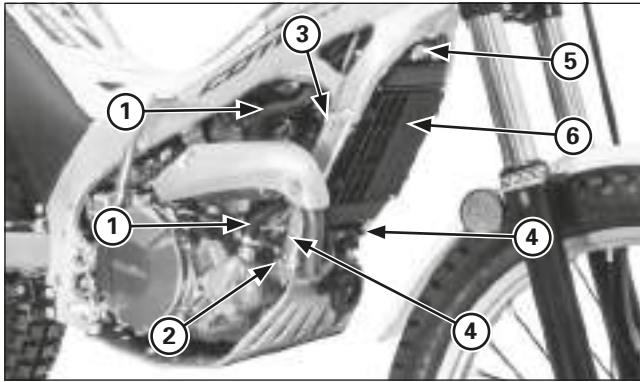
(1) 3P (GRAY) CONNECTOR

Remove the ground eyelet bolt.
Remove the ignition coil mounting bolt.

Remove the spark plug wire/wire harness/breather hose clamp.

Disconnect the ECT sensor 3P (Gray) connector.

Engine servicing

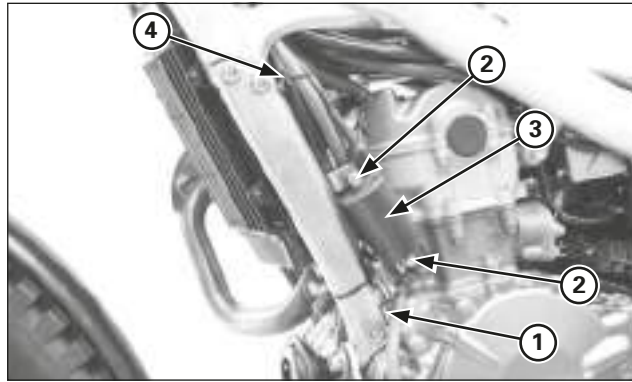


- (1) RADIATOR HOSES
- (2) HANGER BOLT
- (3) DOWN TUBE BOLTS
- (4) DOWN TUBES
- (5) BOLT
- (6) RADIATOR

Disconnect the radiator hoses at the right crankcase cover and cylinder head.

Remove the front engine hanger bolt and front down tube mounting bolts, then remove the down tubes.

Remove the radiator mounting bolt, then remove the radiator assembly.

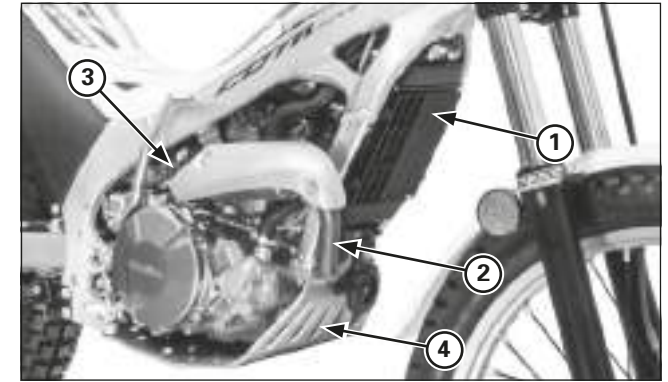


- (1) IGNITION COIL
- (2) BOLTS
- (3) GROUND EYELET
- (4) WIRE CLAMP

Installation is in the reverse order of removal.

NOTICE

At ignition coil installation, install the ground eyelet with the ignition coil lower mounting bracket bolt as shown in the illustration.

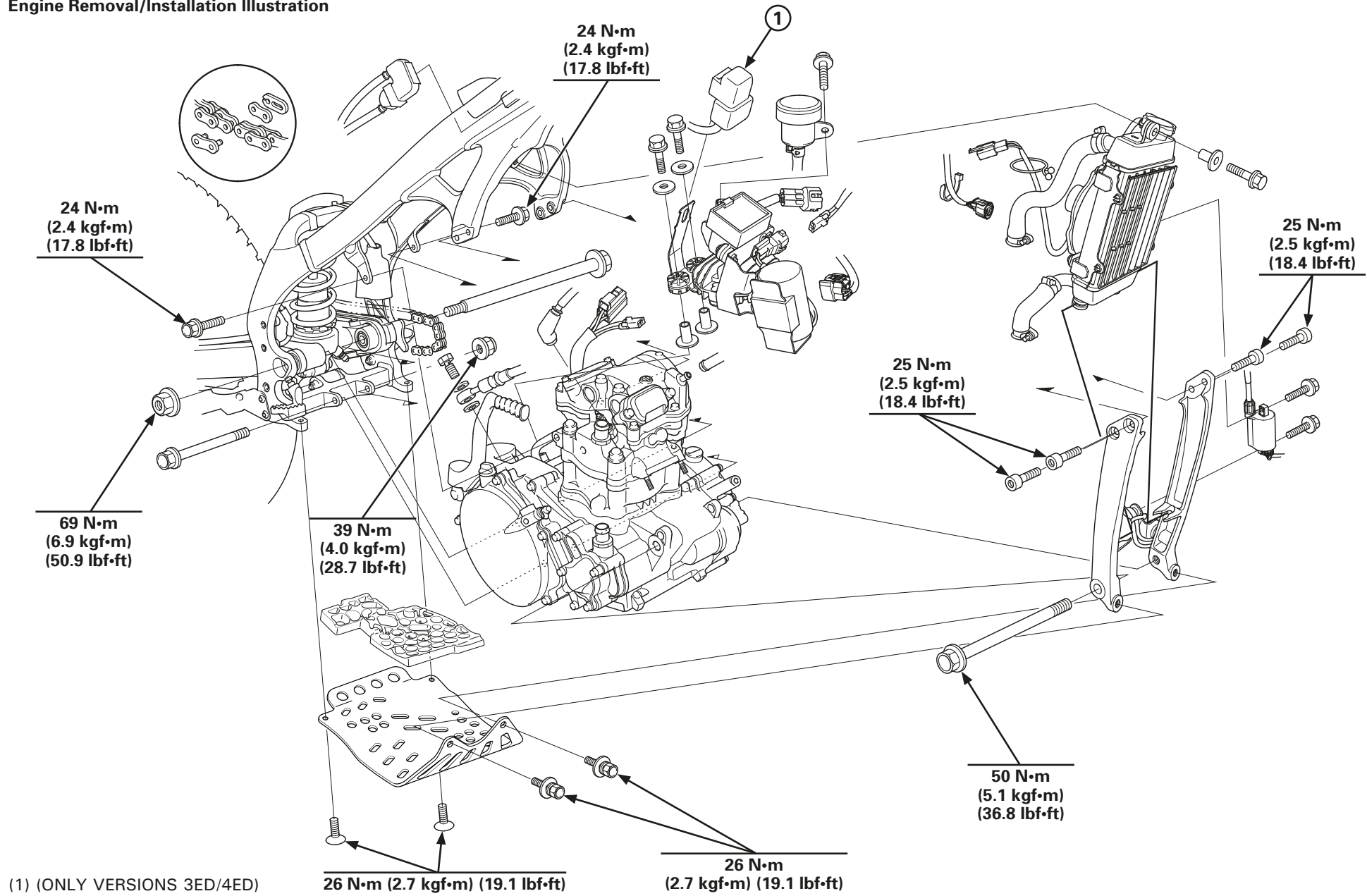


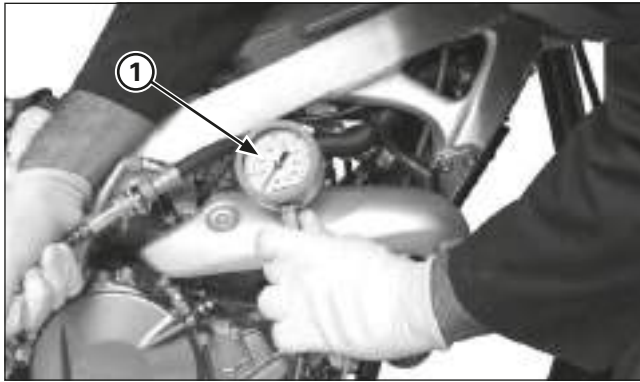
- (1) RADIATOR
- (2) EXHAUST PIPE
- (3) MUFFLER
- (4) SKID PLATE

Engine Removal/Installation

- Support the motorcycle securely using a hoist or equivalent.
- The following parts must be removed before engine removal.
 - Exhaust pipe, muffler
 - Skid plate
 - Down tubes, radiator (page 4-17)
 - Air cleaner housing
- The following components can be serviced with the engine in the frame.
 - Cylinder head
 - Clutch/gearshift linkage
 - Flywheel/stator
 - Kickstarter/gearshift linkage
- The following components require engine removal for servicing.
 - Crankshaft
 - Oil pump
 - Shift forks and shift drum
 - Transmission
 - Cylinder / piston

Engine Removal/Installation Illustration





(1) CYLINDER COMPRESSION GAUGE

Cylinder Compression

Warm up the engine to normal operating temperature. Stop the engine and remove the spark plug. Install a compression gauge. Shift the transmission into neutral. Open the throttle all the way and crank the engine with the kickstarter until the gauge reading stops rising.

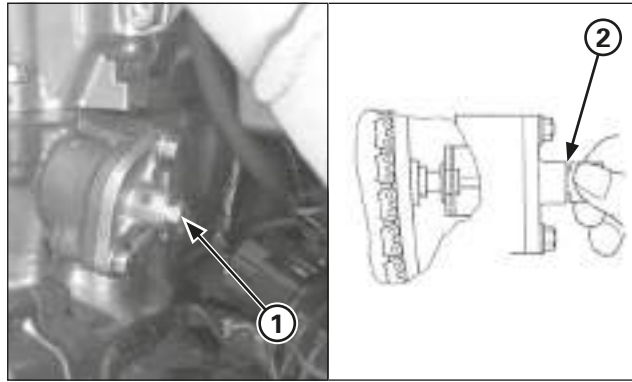
Compression pressure:
1,300 kPa (13.3 kgf/cm², 188.5 psi)

Low compression can be caused by:

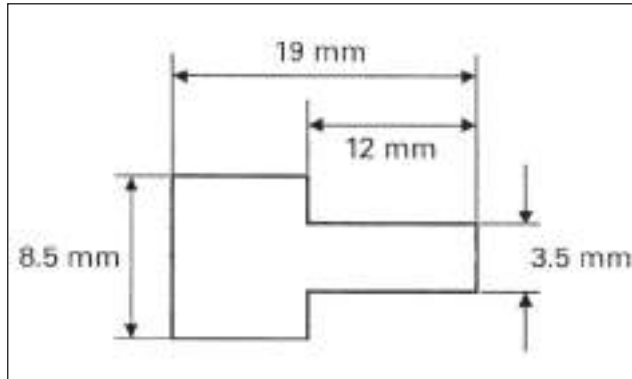
- Blown cylinder head gasket
- Improper valve adjustment
- Valve leakage
- Worn piston ring or cylinder

High compression can be caused by:

- Incorrect valves adjustment



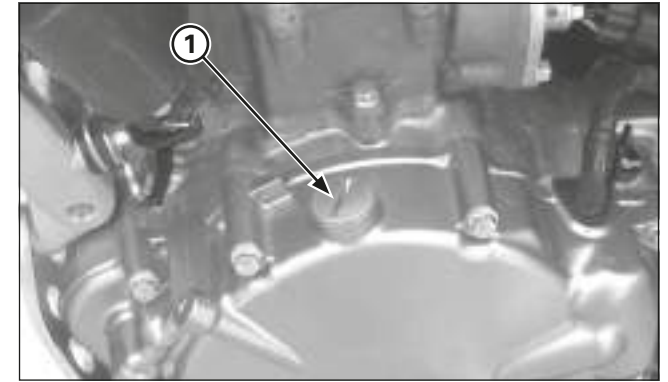
(1) SEALING BOLT/WASHER
 (2) STOPPER TOOL



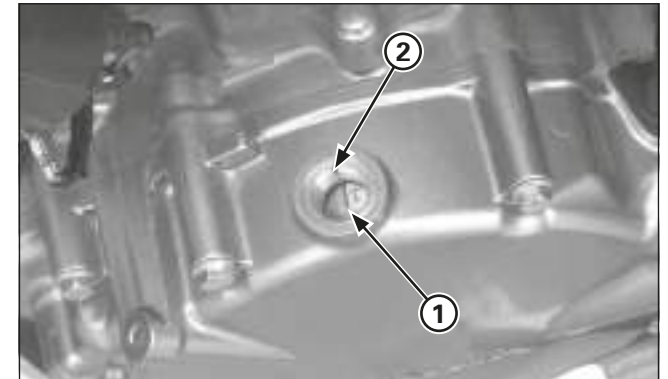
(1) CAM CHAIN TENSIONER LIFTER

Cylinder Head Cover/Camshaft Removal
 Remove the cam chain tensioner lifter sealing bolt and sealing washer.

Turn the tensioner lifter clockwise fully and secure it with the stopper tool. This tool can be easily be made from a thin (1 mm thick) piece of steel as shown.



(1) TIMING HOLE CAP

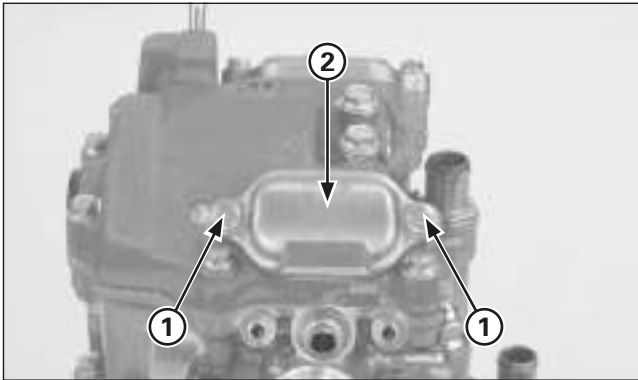


(1) "T" MARK
 (2) INDEX MARK

Remove the fuel tank/injector.

Remove the timing hole cap and O-ring from the left crankcase cover.

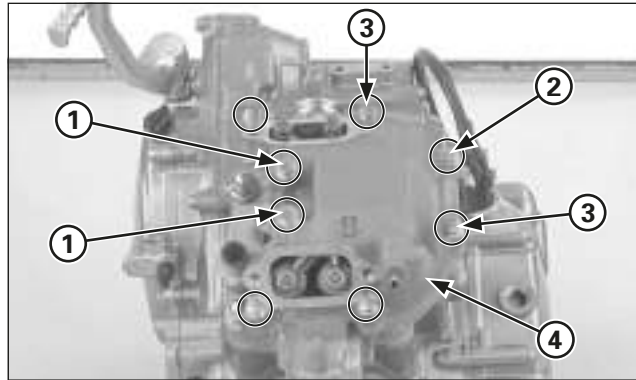
Turn the crankshaft by operating the kickstarter and align the "T" mark on the flywheel with the index mark on the left crankcase cover.



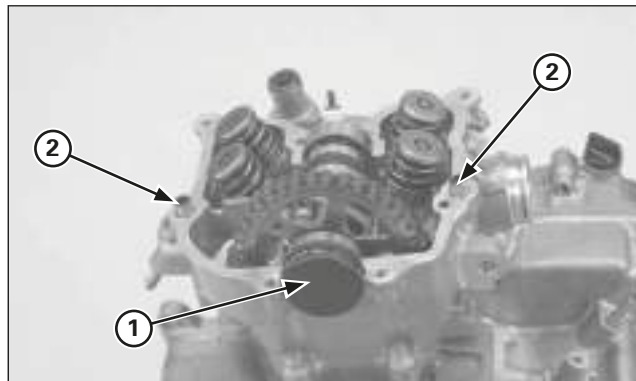
(1) BOLTS
(2) TAPPET ADJUSTING HOLE COVER

Remove the bolts and tappet adjusting hole covers.

Make sure the piston at TDC (Top Dead Center) on the compression stroke by moving the rocker arms.



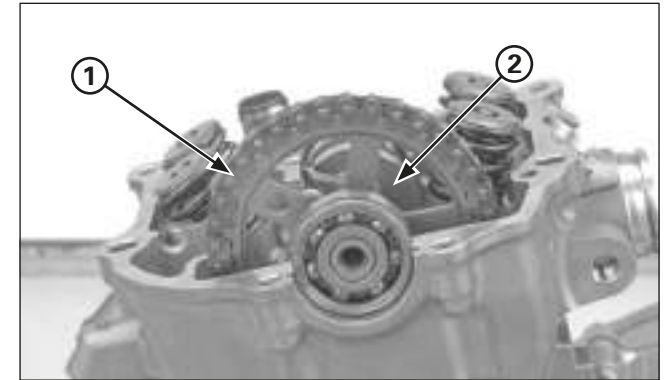
(1) BOLTS/SEALING WASHERS (2) SH BOLTS
(3) SEALING WASHERS (4) CYLINDER HEAD COVER



(1) SIDE CAP
(2) DOWEL PINS

Disconnect the crankcase breather hose.
Remove the two 6 mm bolts.
Loosen the eight cylinder head cover SH bolts in crisscross pattern in 2 or 3 steps.
Remove the bolts and four sealing washers.
Remove the cylinder head cover assembly.

Remove the dowel pins.
Remove the cylinder head side cap.
Remove the camshaft bearing retainer from the cylinder head cover.

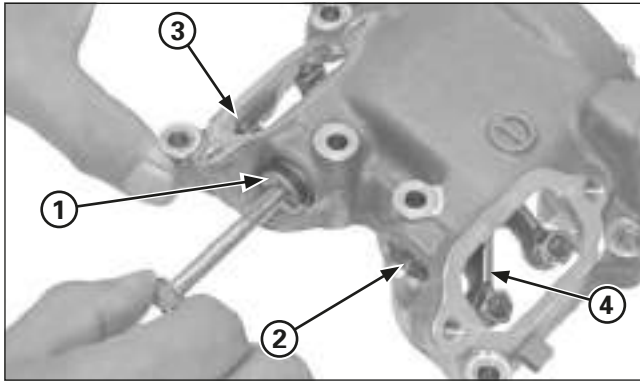


(1) CAM CHAIN
(2) CAMSHAFT

Remove the cam chain from the cam sprocket and suspend the cam chain with a piece of wire to prevent it from falling into the crankcase.

Remove the camshaft assembly.

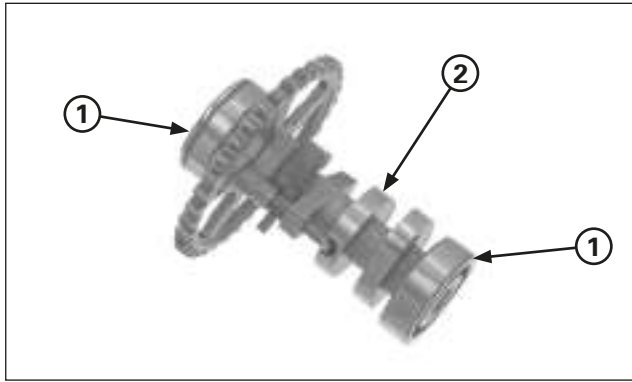
Engine servicing



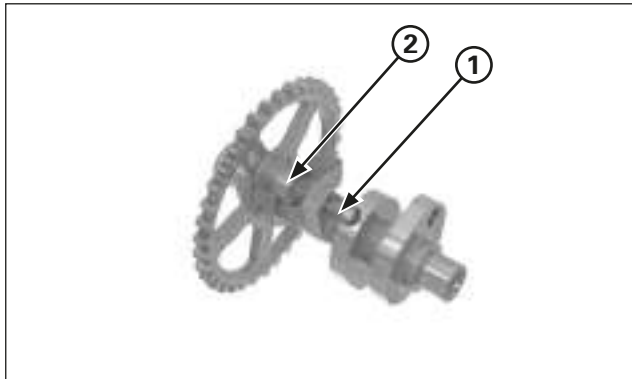
- (1) INTAKE ROCKER ARM SHAFT
- (2) EXHAUST ROCKER ARM SHAFT
- (3) INTAKE ROCKER ARM
- (4) EXHAUST ROCKER ARM

Disassembly

Pull out the rocker arm shafts using a suitable 6 mm bolt and remove the intake and exhaust rocker arms.



- (1) BEARINGS
- (2) CAMSHAFT

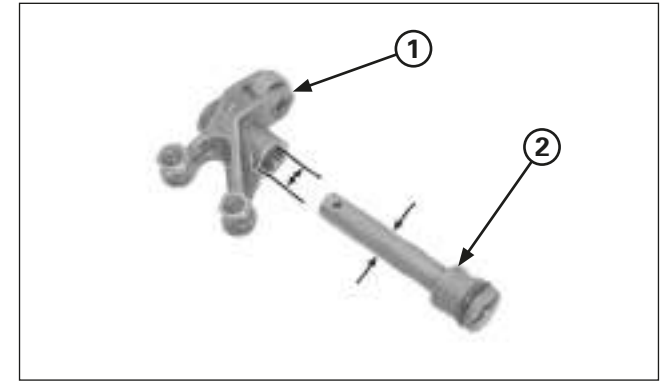


- (1) DECOMPRESSOR
- (2) RETURN SPRING

Inspection

Remove the bearings from the camshaft.
Turn the inner race of each bearing with your finger.
The bearing should turn smoothly and quietly.
Replace the bearing if the bearing do not turn smoothly and quietly.

Check the decompressor cam for wear or damage.
If any components are faulty, replace the camshaft assembly.



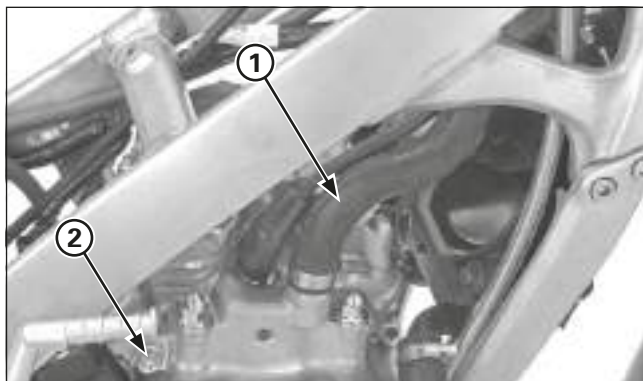
- (1) ROCKER ARM
- (2) ROCKER ARM SHAFT

Check the rocker arms and shafts for wear or damage.
Measure the rocker arm I.D.

Service limit: 10.051 mm (0.3957 in)

Measure the rocker arm shaft O.D. at rocker arm sliding portion.

Service limit: 9.925 mm (0.3907 in)



(1) RADIATOR HOSE
(2) HANGER BOLTS

Cylinder Head Removal

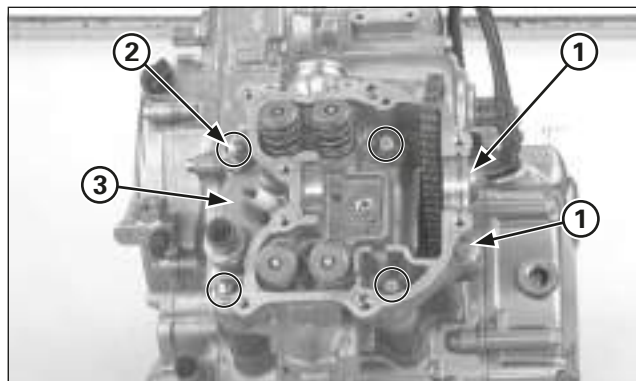
Remove the following:

- Exhaust pipe
- Throttle body/insulator
- Cylinder head cover/camshaft
- Spark plug

Drain the coolant.

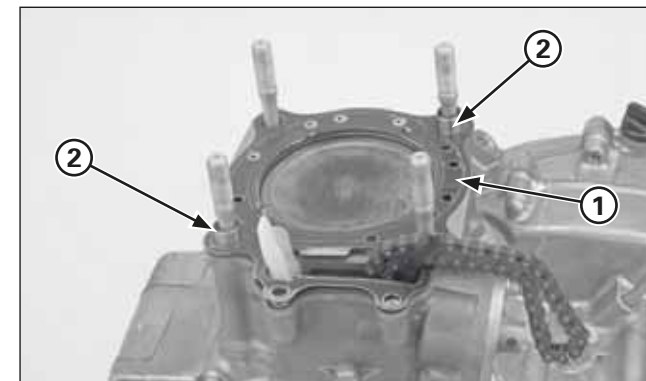
Loosen the hose band screw and disconnect the upper radiator hose from the cylinder head.

Remove the upper engine hanger bolts.

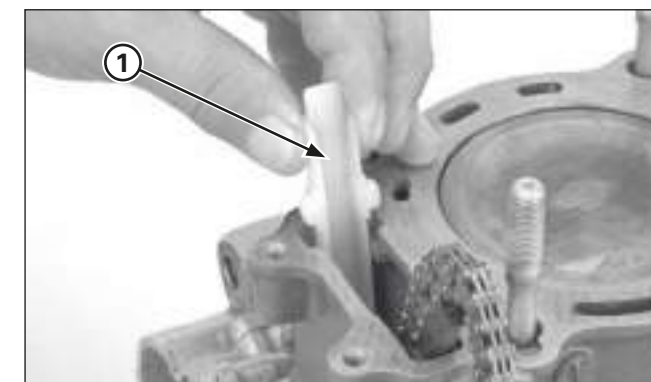


(1) BOLTS
(2) NUTS/WASHERS
(3) CYLINDER HEAD

Remove the cylinder head mounting bolts. Loosen the cylinder head mounting nuts in a crisscross pattern in two or three steps. Remove the nuts, washers and cylinder head.



(1) GASKET
(2) DOWEL PINS

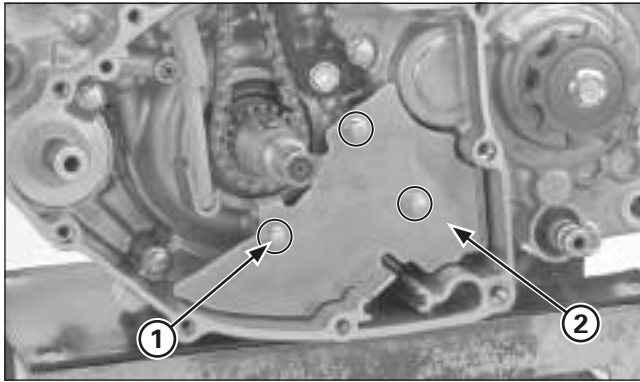


(1) CAM CHAIN GUIDE

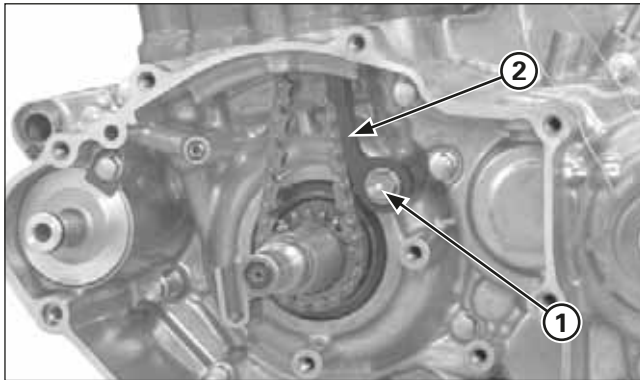
Remove the gasket and dowel pins.

Remove the cam chain guide.

Engine servicing



- (1) BOLTS
(2) CAM CHAIN GUIDE PLATE



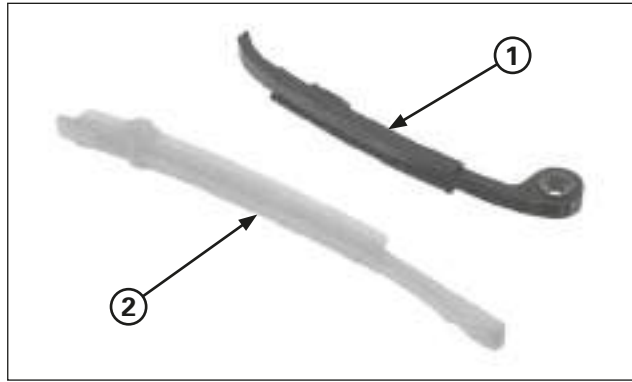
- (1) BOLT
(2) CAM CHAIN TENSIONER

Remove the following:

- Cylinder head (page 4-23)
- Left crankcase cover (page 4-49)
- Flywheel (page 4-52)

Remove the bolts and cam chain guide plate.

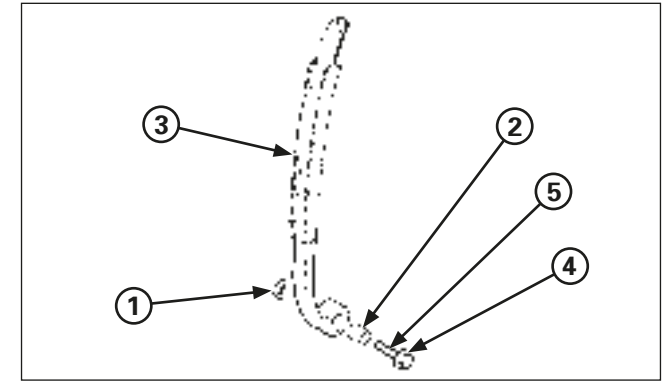
Remove the bolt, cam chain tensioner, pivot collar and washer.



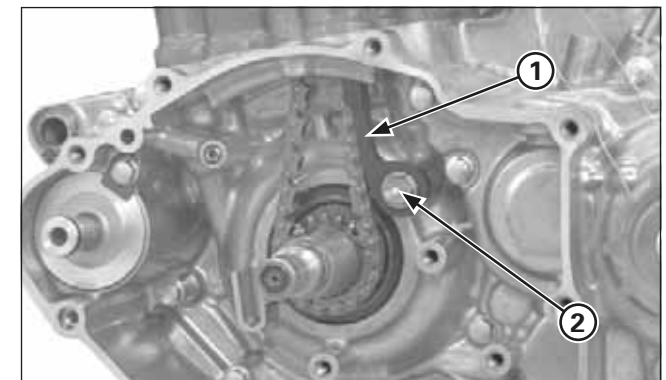
- (1) CAM CHAIN TENSIONER
(2) CAM CHAIN GUIDE

Inspection

Inspect the cam chain tensioner and cam chain guide for excessive wear or damage, replace if necessary.



- (1) WASHER (2) PIVOT COLLAR
(3) CAM CHAIN TENSIONER
(4) PIVOT BOLT (5) APPLY LOCKING AGENT



- (1) CAM CHAIN TENSIONER
(2) PIVOT BOLT

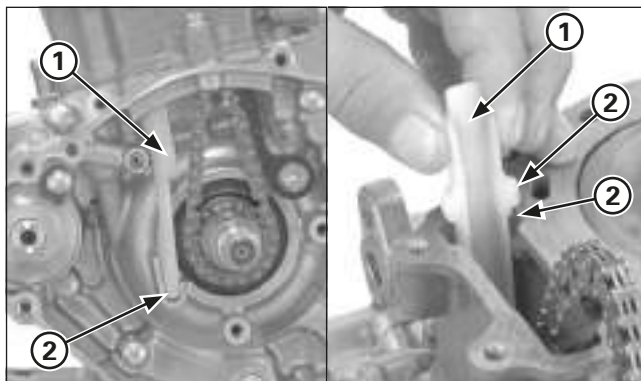
Installation

Apply a locking agent to the cam chain tensioner pivot bolt thread.

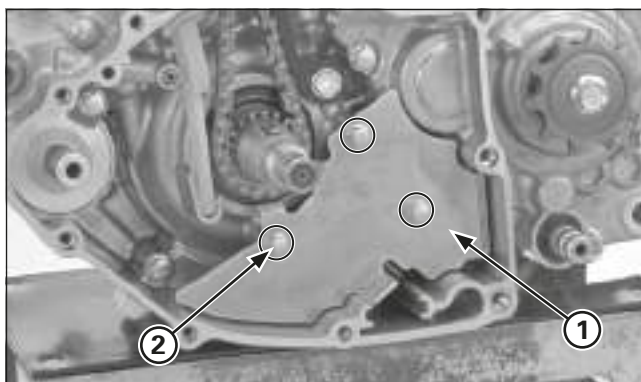
Install the washer, cam chain tensioner, pivot collar and pivot bolt.

Tighten the pivot bolt to the specified torque.

Torque: 12 N·m (1.2 kgf·m, 9 lbf·ft)



(1) CAM CHAIN GUIDE
(2) ALIGN



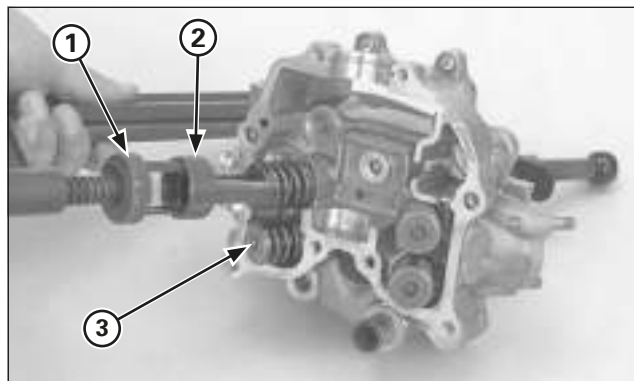
(1) CAM CHAIN GUIDE PLATE
(2) BOLTS

Install the cam chain guide by aligning the guide end with the groove in the crankcase and the tab with the groove in the cylinder.

Install the cam chain guide plate and tighten the bolts.

Install the following:

- Flywheel (page 4-53)
- Left crankcase cover (page 4-50)
- Cylinder head (page 4-37)



(1) VALVE SPRING COMPRESSOR
(2) ATTACHMENT
(3) COTTERS

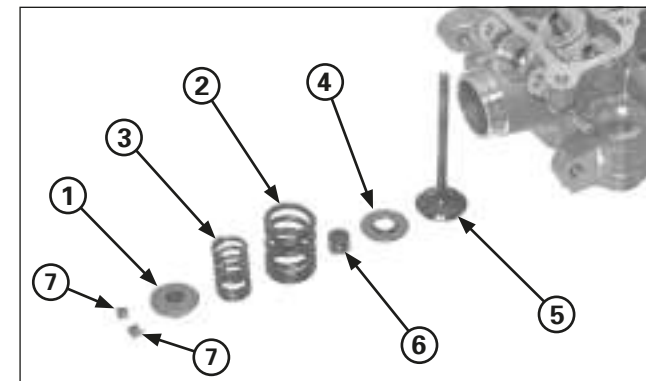
Cylinder Head Disassembly

Remove the cylinder head (page 4-23).

Remove the valve spring cotters using the special tools. To prevent loss of tension, do not compress the valve springs more than necessary to remove the cotters.

Tools:

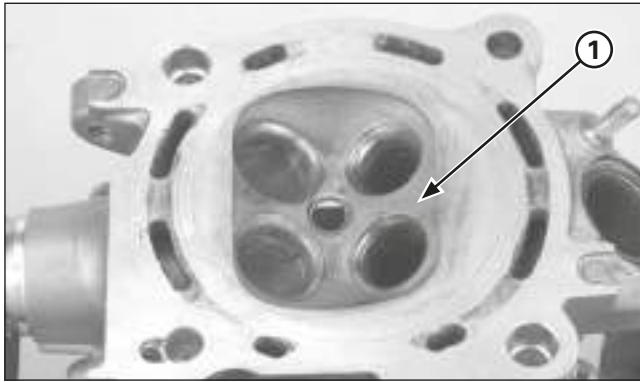
Valve spring compressor	07757-0010000
Compressor attachment	07959-KM30101



(1) RETAINER
(2) OUTER SPRING
(3) INNER SPRING
(4) SPRING SEAT
(5) VALVE
(6) STEM SEAL
(7) COTTERS

Remove the following:

- Spring retainer
- Outer and inner valve springs
- Stem seal
- Valve spring seat
- Intake and exhaust valve



(1) COMBUSTION CHAMBER

Cylinder Head Inspection

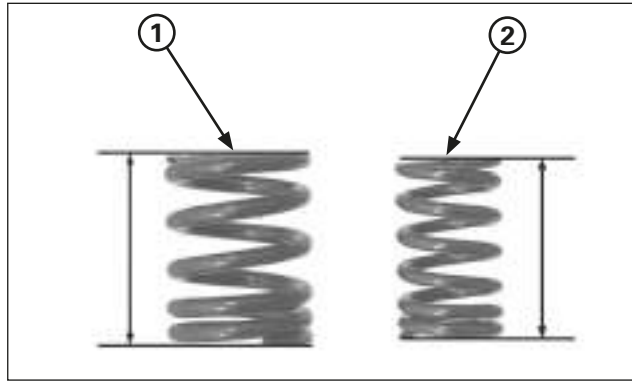
Cylinder Head

Remove the carbon deposits from the combustion chamber or exhaust port. Use care not to scratch the combustion chamber or the head gasket surface.

Check the spark plug hole and valve area for cranks.

Check the cylinder head for warpage with a straight edge and feeler gauge.

Service limit: 0.05 mm (0.002 in)



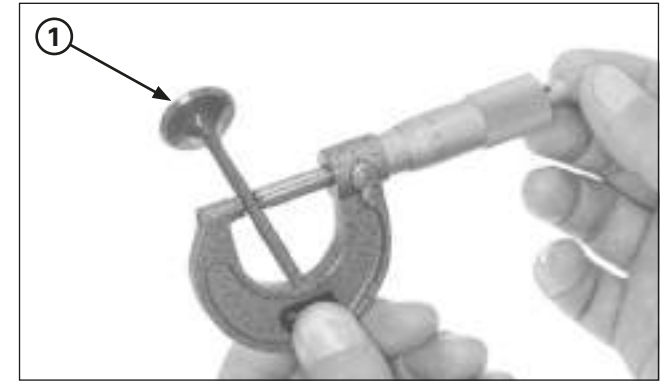
(1) OUTER VALVE SPRING
(2) INNER VALVE SPRING

Valve spring

Check the valve springs for fatigue or damage. Measure the free length of the intake and exhaust valve springs.

Service limits:

Inner: 24.9 mm (0.98 in)
Outer: 27.6 mm (1.09 in)



(1) VALVE

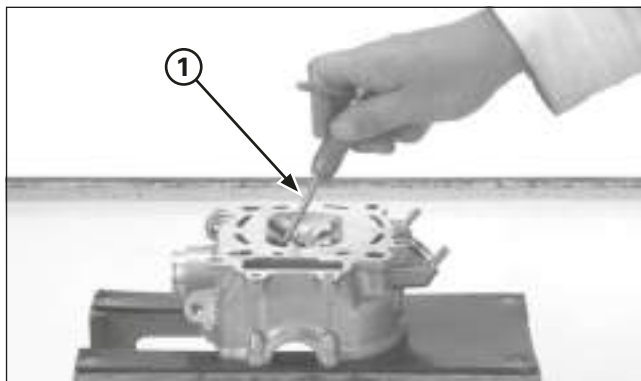
Valve/Valve Guide

Inspect each valve for out-of-round, burns, scratches or abnormal stem wear.

Check the valve movement in the guide. Measure and record the valve stem O.D.

Service limits:

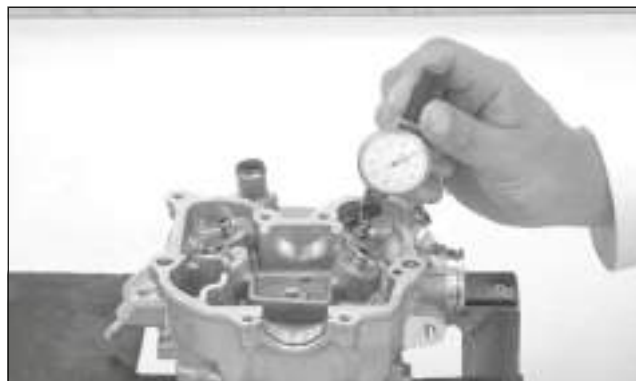
IN: 4.470 mm (0.1760 in)
EX: 4.460 mm (0.1756 in)



(1) VALVE GUIDE REAMER

Ream the valve guide to remove any carbon build-up before measuring the guide. Insert the reamer from the combustion chamber side of the head and always rotate the reamer clockwise.

Tool:
Valve guide reamer, 4.508 mm 07HMH-ML00101



Measure and record the valve guide I.D. using a ball gauge or inside micrometer.

Service limit:
IN/EX: 4.552 mm (0.1792 in)

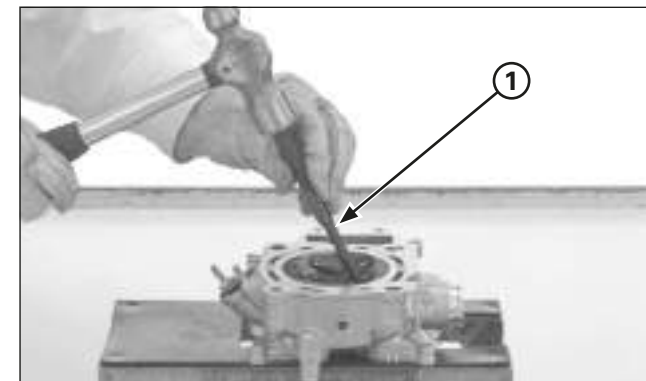
Subtract each valve stem O.D. from the corresponding guide I.D. to obtain the stem-to-guide clearance.

Standard:
IN: 0.010 – 0.037 mm (0.0004 – 0.0015 in)
EX: 0.020 – 0.047 mm (0.0008 – 0.0019 in)

If the stem-to-guide clearance exceeds the service limits, determine if a new guide with standard dimensions would bring the clearance within tolerance.

If so, replace the guides as necessary and ream to fit. Reface the valve seats whenever the valve guides are replaced (page 4-28).

If the stem-to-guide clearance exceeds the service limits with new guides also, replace the valves and guides.



(1) VALVE GUIDE DRIVER

Valve Guide Replacement

Mark new valve guides at the proper depth (see specification; page 2-1) using a marker.

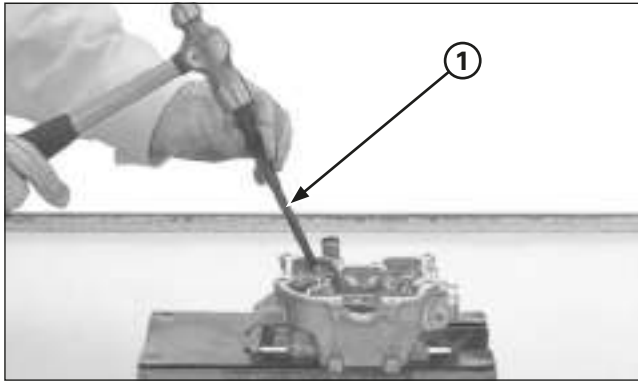
Chill the new valve guides in a freezer for about 1 hour. Heat the cylinder head to 100 – 150 °C (212 – 300 °F) with a hot plate or oven.

Do not heat the cylinder head beyond 180 °C (320 °F). Use temperature indicator sticks, available from welding supply stores, to be sure the cylinder head is heated to the proper temperature.

Use a torch to heat the cylinder head may cause warpage.

Support the cylinder head and drive the valve guides out of the cylinder head from the combustion chamber side.

Tool:
Valve guide driver 07HMD-ML00101



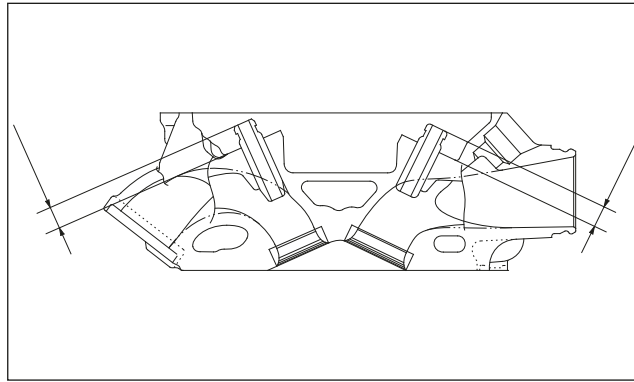
(1) VALVE GUIDE DRIVER

Remove the guide from the freezer.

While the cylinder head is still heated, drive new valve guides into the cylinder head from the top of the cylinder (camshaft side).

Drive the guides until the marks are parallel with the cylinder head.

Tool:
Valve guide driver **07HMD-ML00101**



Check that the valve guides are at the proper depth using a slide caliper, adjust the height if necessary.

Specified depth:

IN: 8.0 – 8.3 mm (0.31 – 0.33 in)

EX: 8.2 – 8.5 mm (0.32 – 0.33 in)

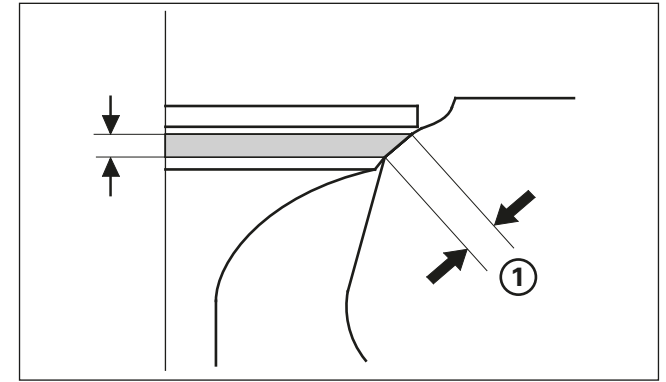
Let the cylinder head cool to room temperature.

Ream the new valve guides.

Insert the reamer from the combustion chamber side of the cylinder head and always rotate the reamer clockwise. Use cutting oil on the reamer during this operation. Take care not to tilt or lean the reamer in the guide while reaming.

Tool:
Valve guide reamer, 4.508 mm **07HMH-ML00101**

Clean the cylinder head thoroughly to remove any metal particles after reaming and reface the valve seats.



(1) VALVE SEAT WIDTH

Valve Seat Inspection/Refacing

Clean the intake and exhaust valves thoroughly to remove carbon deposits.

Apply a light coating of Prussian Blue to the valve seat.

Tap the valves and seats using a rubber hose or other hand lapping tool.

Remove the valve and inspect the valve seat face. The valve seat contact should be within the specified width and even all around the circumference.

Standard:

IN/EX: 0.9 – 1.1 mm (0.035 – 0.043 in)

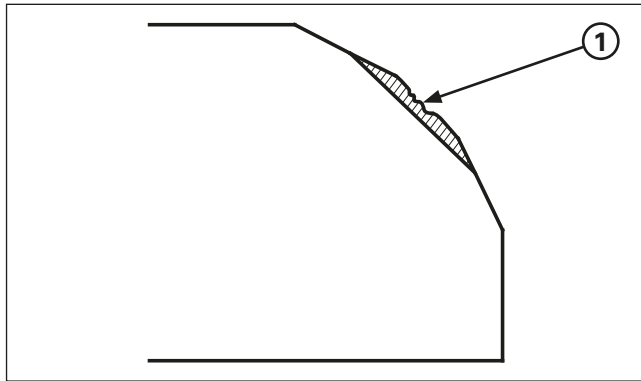
Service limit:

IN/EX: 1.7 mm (0.07 in)

If the seat width is not within specification, reface the valve seat (page 4-29).

Inspect the valve seat face for:

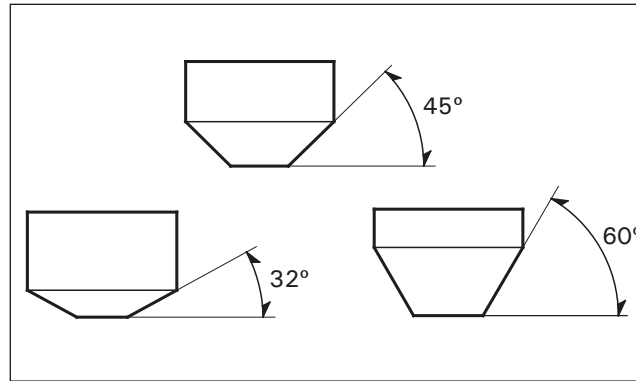
- Uneven seat width:
 - Replace the valve and reface the valve seat.
- Damaged face:
 - Replace the valve and reface the valve seat.



(1) ROUGHNESS

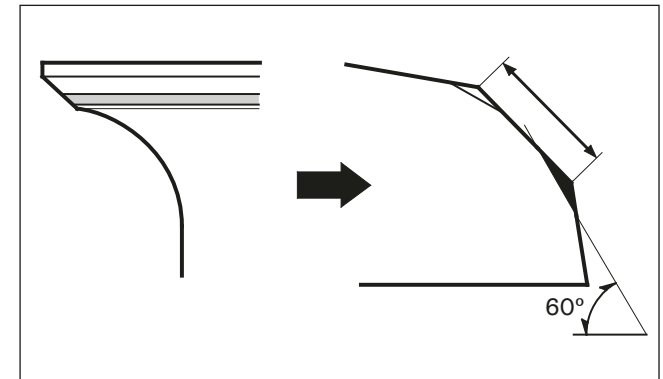
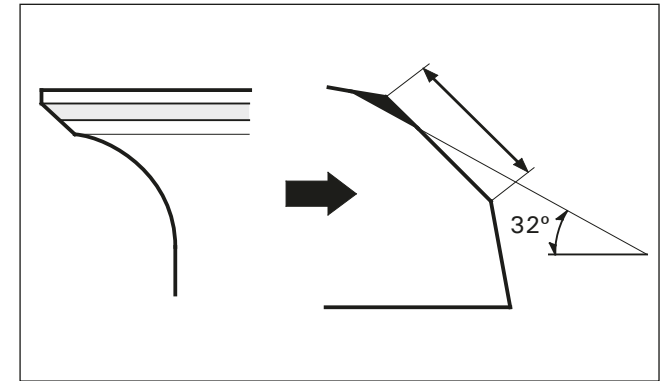
- Contact area (too high or too low)
- Reface the valve seat.

The valves cannot be ground, If a valve face is burned or badly worn or if it contacts the seat unevenly, replace the valve.



Valve Seat Refacing

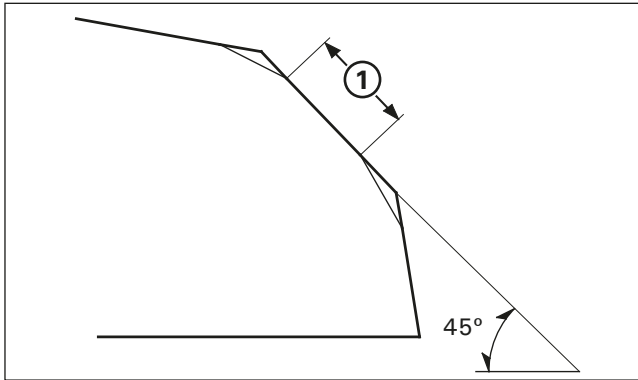
Valve seat cutters,grinders or equivalent valve seat refacing equipment are recommended to correct worn valve seat.
Follow the refacing manufacturer’s instructions.



If the contact area is too high on the valve, the seat must be lowered using a 32° flat cutter.

If the contact area is too lower on the valve, the seat must be raised using a 60° interior cutter.

Engine servicing



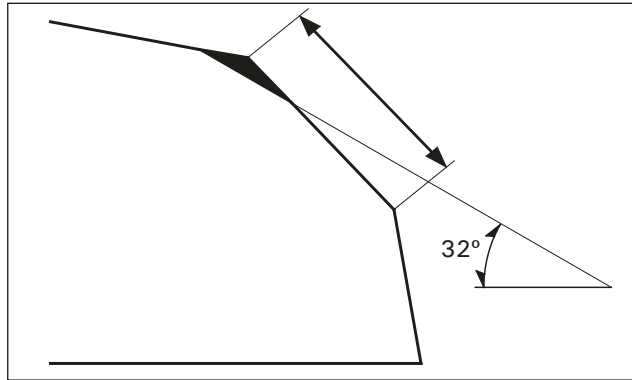
(1) SEAT WIDTH

Use a 45° cutter, remove any roughness or irregularities from the seat.

Reface the seat with a 45° cutter whenever a valve guide is replaced.

Tools:

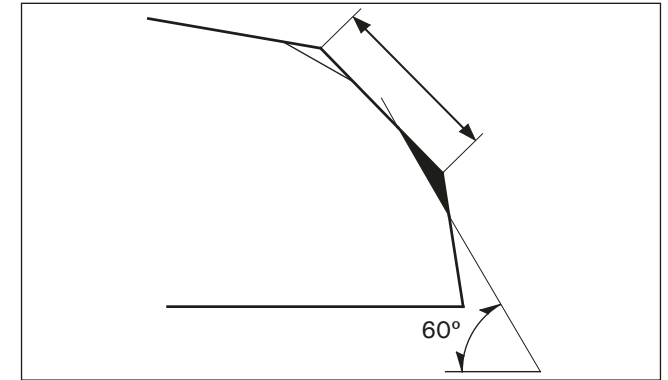
Seat cutter, 24.5 mm 07780-0010100
Seat cutter, 22 mm 07780-0010701
Cutter holder, 4.5 mm 07781-0010600
or equivalent commercially available



Use a 32° flat cutter, remove 1/4 of the existing valve seat material.

Tools:

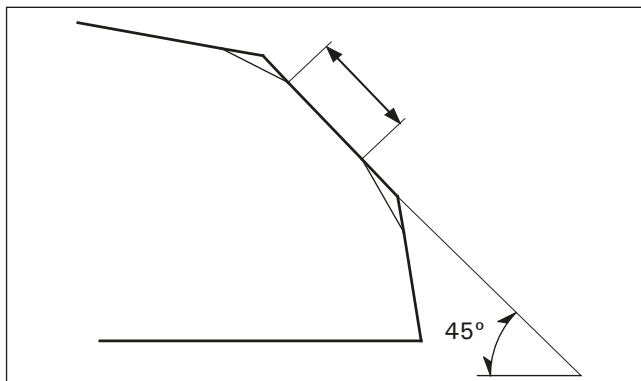
Flat cutter, 25 mm 07780-0012000
Flat cutter, 21.5 mm 07780-0012800
Cutter holder, 4.5 mm 07781-0010600
or equivalent commercially available



Use an interior cutter, remove 1/4 of the existing valve seat material.

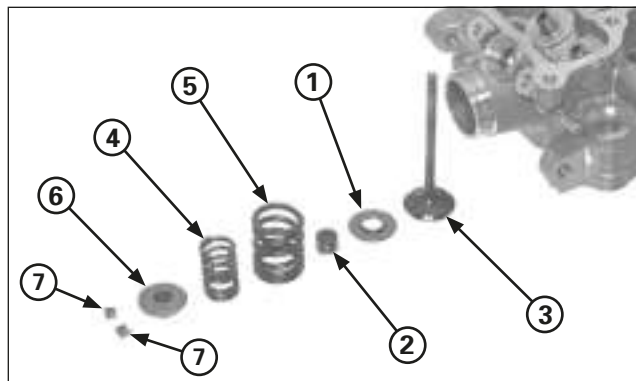
Tools:

Interior cutter, 26 mm 07780-0014500
Interior cutter, 22 mm 07780-0014202
Cutter holder, 4.5 mm 07781-0010600
or equivalent commercially available



Using a 45° seat cutter, cut the seat to proper width. Make sure all pitting and irregularities are removed. Refinish if necessary.

After refacing, wash the cylinder head and valves. After cutting the seats, apply lapping compound to the valve face, and lap the valve using light pressure. After lapping, wash any residual compound off the cylinder head and valve.

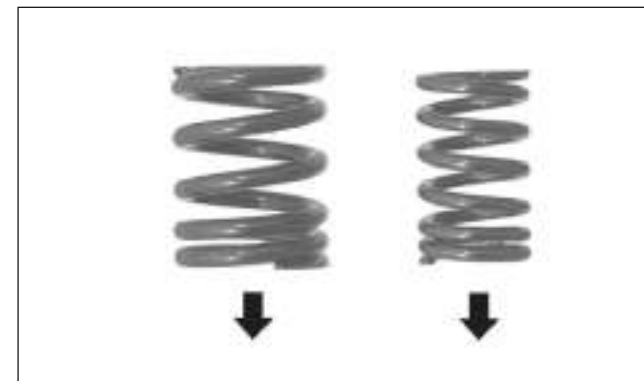


- (1) SPRING SEAT
- (2) STEM SEAL
- (3) VALVE
- (4) INNER SPRING
- (5) OUTER SPRING
- (6) RETAINER
- (7) COTTERS

Cylinder Head Assembly

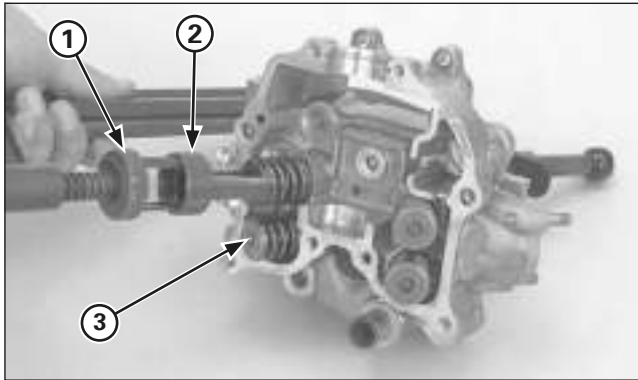
Blow out all oil passages in the cylinder head with compressed air. Install the spring seat and new stem seal.

Lubricate the valve stem sliding surface with molybdenum solution. Insert the valves into the guide while turning it slowly to avoid damage to the stem seal.



Install the valve springs with the tightly wound coils facing the combustion chamber. Install the spring retainers.

Engine servicing



- (1) VALVE SPRING COMPRESSOR
- (2) ATTACHMENT
- (3) COTTERS

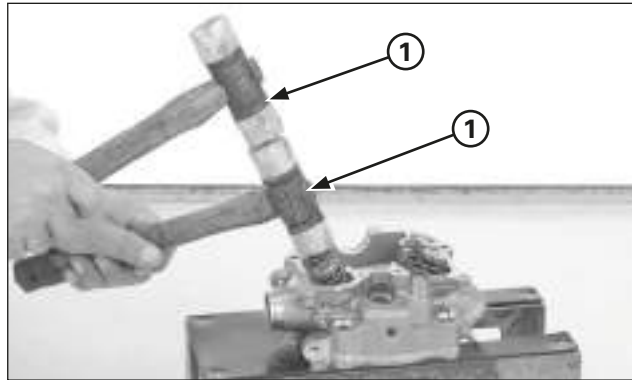
Compress the valve springs with the special tools and install the cotters.

Grease the cotters to ease installation.

Tools:

Valve spring compressor **07757-0010000**
Compressor attachment **07959-KM30101**

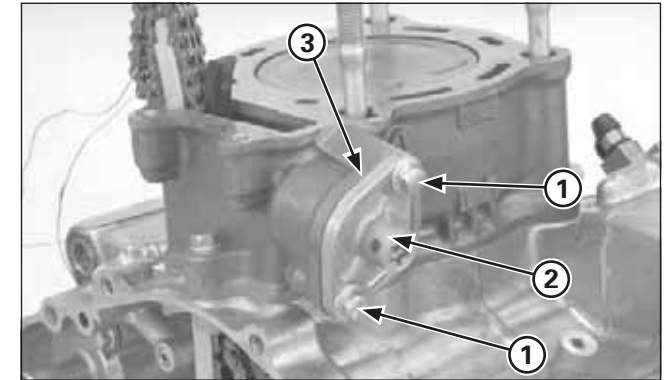
To prevent loss of tension, do not compress the valve springs more than necessary.



- (1) PLASTIC HAMMERS

Tap the valve stems gently with two plastic hammers as shown to seat the cotters firmly.

Support the cylinder head so the valve heads do not contact anything that may damage them.



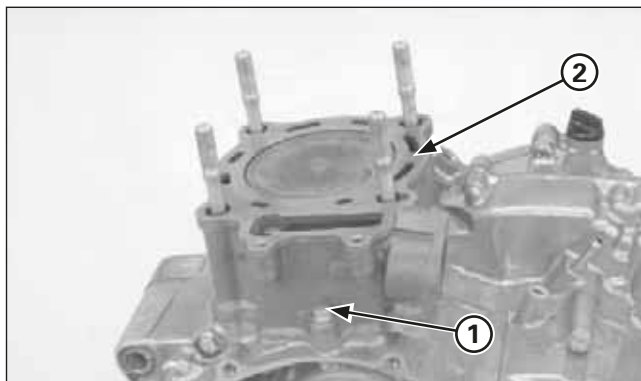
- (1) BOLTS
- (2) CAM CHAIN TENSIONER LIFTER
- (3) GASKET

Cylinder/Piston

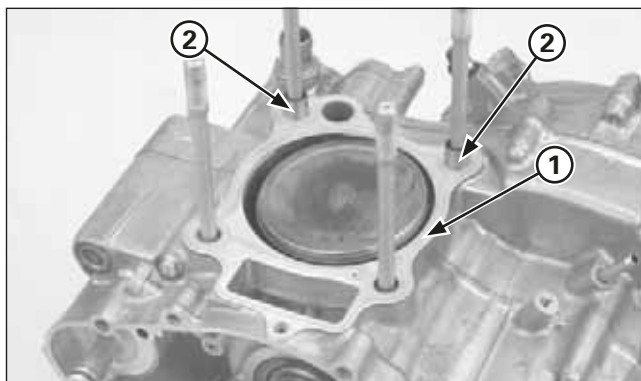
Cylinder Removal

Remove the cylinder head (page 4-23).

Remove the bolts, cam chain tensioner lifter and gasket.



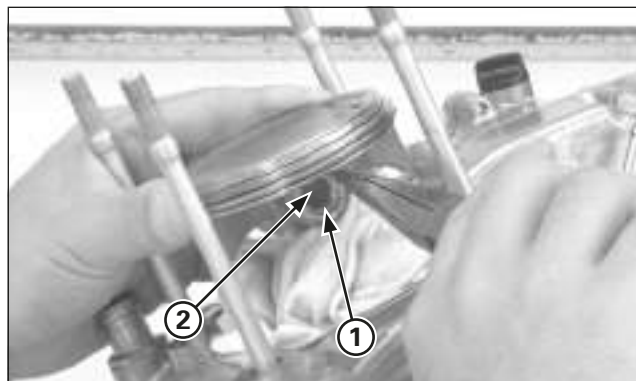
(1) SEALING BOLT/SEALING WASHER
(2) CYLINDER



(1) GASKET
(2) DOWEL PINS

Remove the mounting sealing bolt, sealing washer and cylinder.

Remove the gasket and dowel pins.



(1) PISTON PIN CLIP
(2) PISTON PIN

Piston Removal

Place a clean shop towel over the crankcase to prevent the clip from falling the crankcase.
Remove the piston pin clips with pliers.

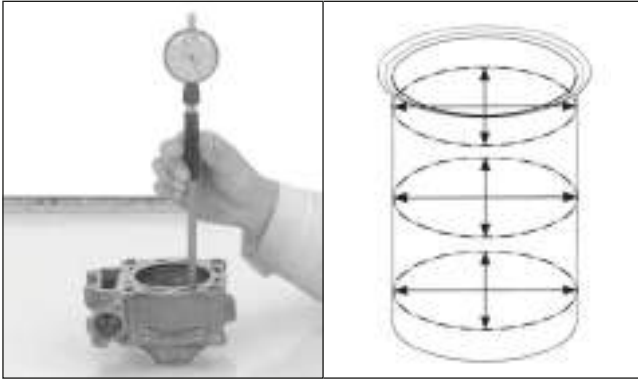
Press the piston pin out of the piston and remove the piston.



Spread the piston rings and remove them by lifting up at a point just opposite the gap.

Piston rings are easily broken; take care not to damage them during removal.

Engine servicing



Inspection

Cylinder

Inspect the cylinder bore for wear or damage.

Measure the cylinder I.D. in the X and Y axis at three levels.

Take the maximum reading to determine the cylinder wear.

Service limit: 78.04 mm (3.072 in)

Calculate the taper and out-of-round at three levels in the X and Y axis. Take maximum reading to determine the cylinder condition.

Service limit:

Taper: 0.05 mm (0.002 in)

Out-of-round: 0.05 mm (0.002 in)

Inspect the top of the cylinder for warpage.

Service limit: 0.05 mm (0.002 in)



Piston/Piston Ring

Remove the carbon deposits from the piston head or piston ring grooves using old piston rings.

Inspect the piston for damage and the ring grooves for wear.



Temporarily install the piston rings to their proper position with the mark facing up.

Measure the piston ring-to-ring groove clearance with the rings pushed into the grooves.

Service limit:

Top: 0.015 mm (0.0045 in)

Second: 0.065 mm (0.0026 in)

Inspect the piston ring grooves for wear or damage.



Measure the O.D. of the piston at 5 mm (0.2 in) from bottom of skirt and 90 degrees to the piston pin hole.

Service limit: 77.89 mm (3.066 in)

If the O.D. is under the service limit, replace the piston with a new one.

Calculate the piston-to-cylinder clearance.

Service limit: 0.18 mm (0.007 in)

Measure the piston pin bore I.D.

Service limit: 16.03 mm (0.631 in)

Check the piston pin for wear or excessive discoloration. Measure the piston pin O.D.

Service limit: 15.98 mm (0.629 in)

Replace the piston pin if necessary.

Calculate the piston pin-to-piston clearance.

Service limit: 0.04 mm (0.002 in)



Insert each piston ring into the cylinder and measure the ring end gap. Push the ring into the cylinder with the top of the piston to be sure the ring is squarely in the cylinder.

Service limit:

Top: 0.44 mm (0.017 in)

Second: 0.64 mm (0.025 in)

Oil (side rail): 0.90 mm (0.035 in)



Connecting Rod

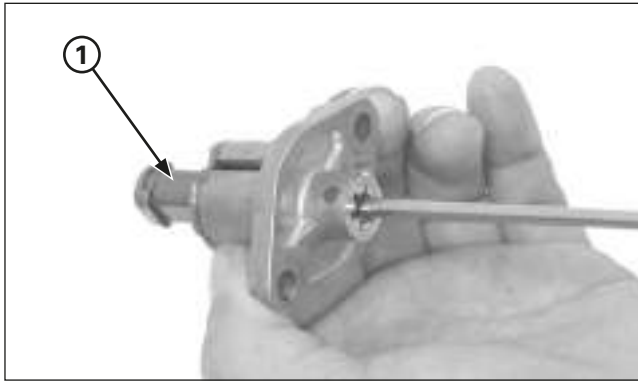
Measure the connecting rod small end I.D.

Service limit: 16.04 mm (0.631 in)

If the I.D. is not over the service limit, replace the piston pin.

If the I.D. is over the service limit, replace the crankshaft (page 4-54).

Engine servicing

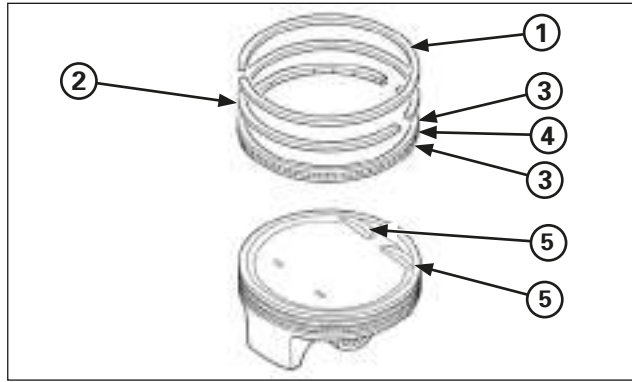


(1) TENSIONER LIFTER

Tensioner lifter

Check the tensioner lifter operation as follows:

- The tensioner shaft should not go into the body when it is pushed.
- When it is turned clockwise with a screwdriver, the tensioner shaft should be pulled into the body. The shaft should spring out of the body as soon as the screwdriver is released.



- (1) TOP RING (SILVER)
(2) SECOND RING (BLACK)
(3) OIL RINGS
(4) SPACER
(5) INDENTS

Piston Ring Installation

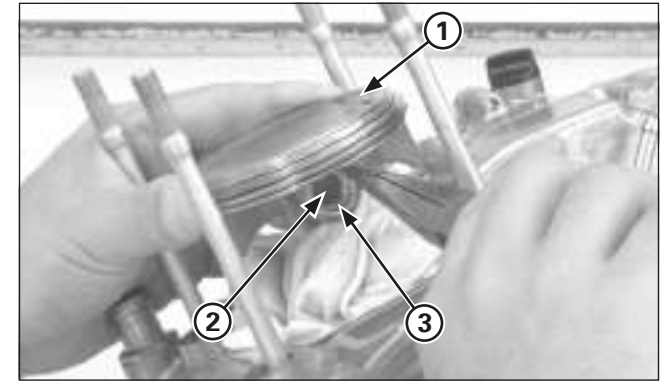
Clean the piston ring grooves thoroughly.

Apply engine oil to the piston rings and piston ring grooves.

Install the piston ring into the grooves with their marking "R" facing up (top ring and second ring).

- Do not damage the piston ring by spreading the ends too far.
- Be careful not to damage the piston during piston ring installation.
- Do not align the oil ring (side rail) gaps.
- Space the piston ring end 120 degrees apart.

After installation, the rings should rotate freely in the ring grooves.



- (1) INDENTS
(2) PISTON PIN
(3) NEW PISTON PIN CLIP

Piston Installation

Place a shop towel over the cylinder opening to prevent dust or dirt from entering the engine.

Clean any gasket material from the cylinder mating surfaces of the crankcase.

Apply molybdenum oil solution to the connecting rod small end.

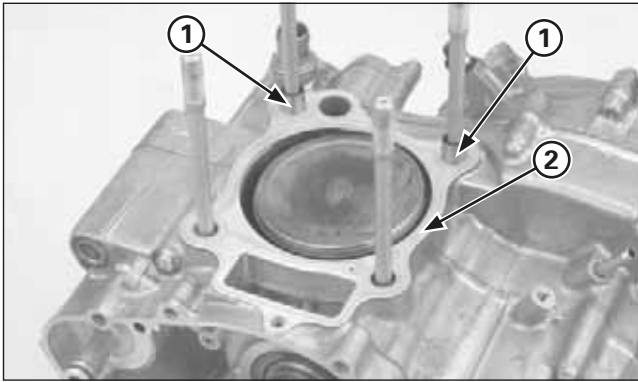
Place a shop towel around the piston skirt and in the crankcase to prevent the piston pin clips from falling into the crankcase.

Apply engine oil to the piston pin outer surface and piston pin bore of the piston.

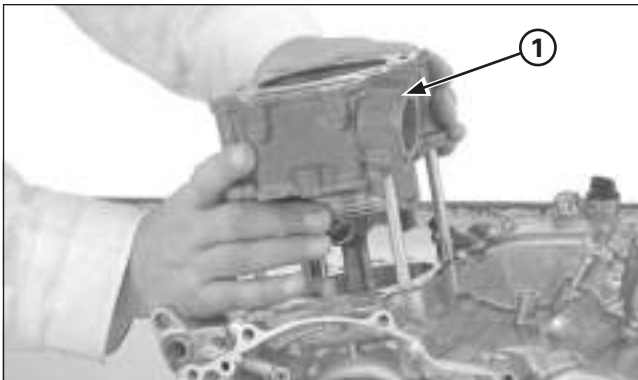
Install the piston with the "IN" mark facing intake side. Install the piston pin and new piston pin clips. Be careful not to drop the piston pin clip into the crankcase.

Always use new piston pin clips. Reinstalling used piston pin clips may lead to serious engine damage.

Do not align the piston pin clip end gap with the piston cut-out.



(1) DOWEL PINS
(2) NEW GASKET

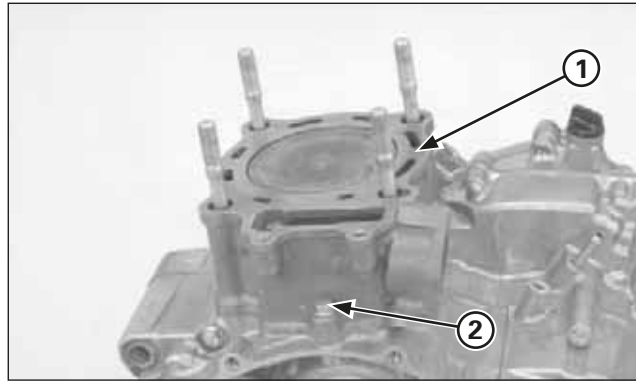


(1) CYLINDER

Cylinder Installation

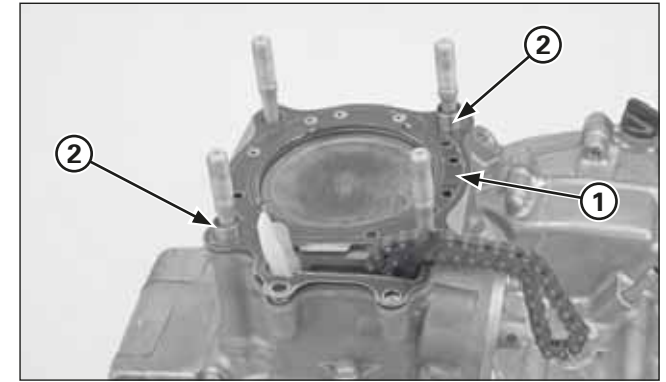
Install the dowel pins and new gasket.

Coat the cylinder bore, piston and piston rings with clean engine oil and install the cylinder while compressing the piston rings being careful not to damage the rings.

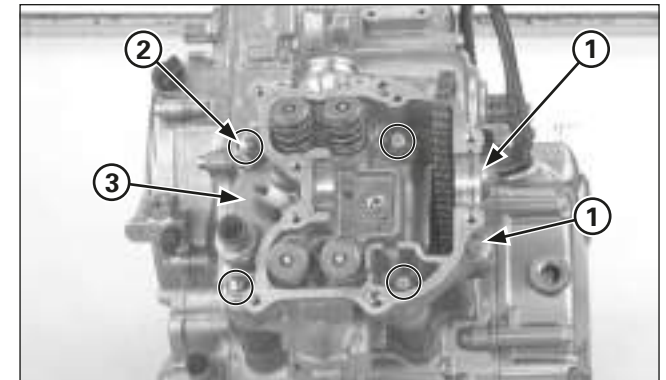


(1) CYLINDER
(2) NEW SEALING BOLT/SEALING WASHER

Apply locking agent to the cylinder mounting sealing bolt threads.
Install the cylinder mounting sealing bolt with a new sealing washer but do not tighten it yet.



(1) DOWEL PINS
(2) NEW GASKET



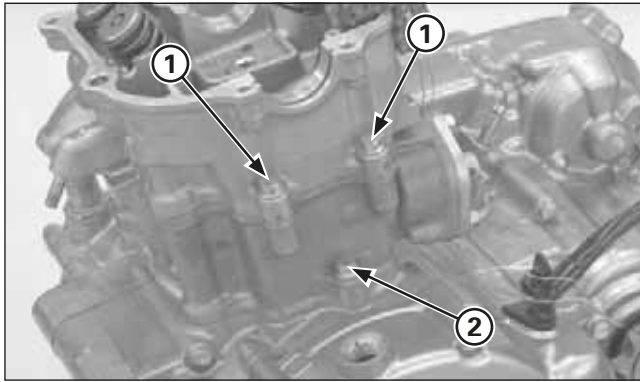
(1) CYLINDER HEAD
(2) WASHERS/NUTS
(3) BOLTS

Cylinder Head Installation

Install the dowel pins and new gasket.
Install the cylinder head onto the cylinder.
Apply oil to the cylinder head mounting nut threads and seating surface, install them with washers.
Install the two cylinder head 6 mm bolts.
Tighten the cylinder head nuts (cap nuts on right side) in a crisscross pattern in 2 – 3 steps to the specified torque.

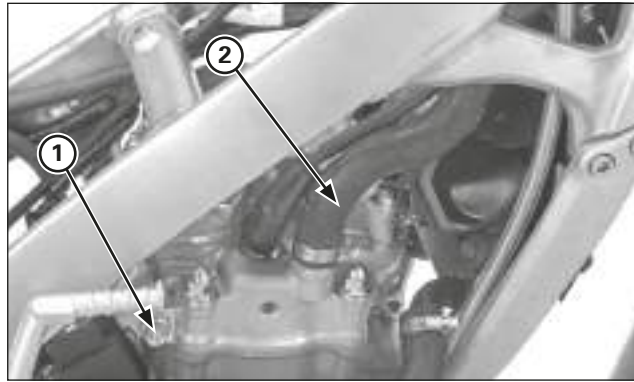
Torque: 39 N·m (4.0 kgf·m, 29 lbf·ft)

Engine servicing



- (1) CYLINDER HEAD BOLTS
- (2) CYLINDER SEALING BOLT

Tighten the cylinder sealing bolt and cylinder head mounting bolts securely.



- (1) HANGER BOLT
- (2) RADIATOR HOSE

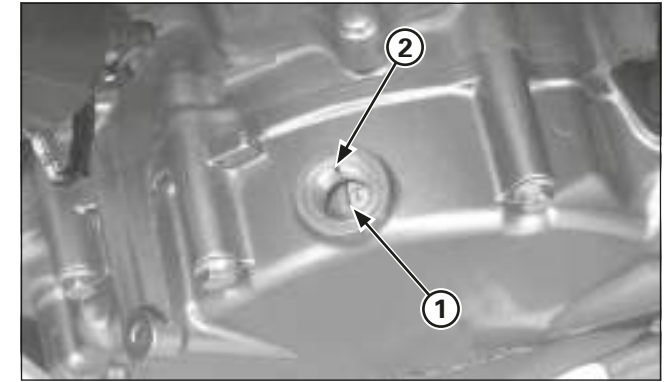
Install the upper engine hanger bolt, tighten the bolt to the specified torque.

Torque: 24 N·m (2.4 kgf·m, 17 lbf·ft)

Connect the radiator hose to the water joint, tighten the clamp screw securely.

- Install the following:
- Camshaft
 - Cylinder head cover
 - Throttle body/insulator
 - Exhaust pipe

Pour recommended coolant mixture and bleed air.

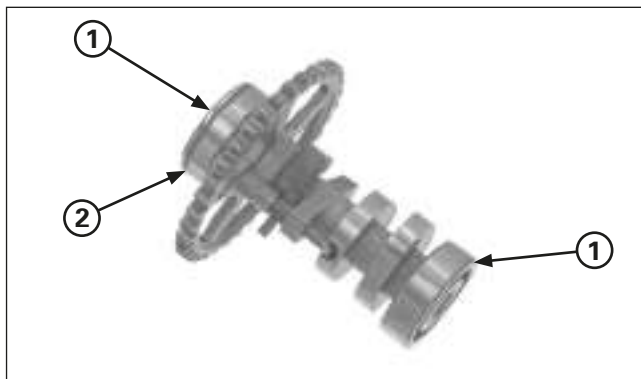


- (1) "T" MARK
- (2) INDEX MARK

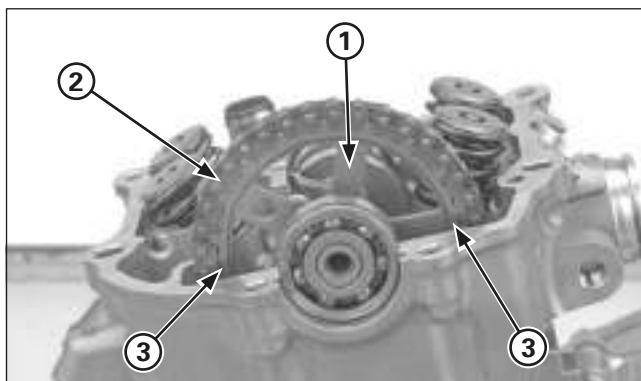
Camshaft/Cylinder Head Cover Installation

Camshaft Installation

Turn the crankshaft by operating the kickstarter, align the "T" mark on the flywheel with the index mark on the left crankcase cover.



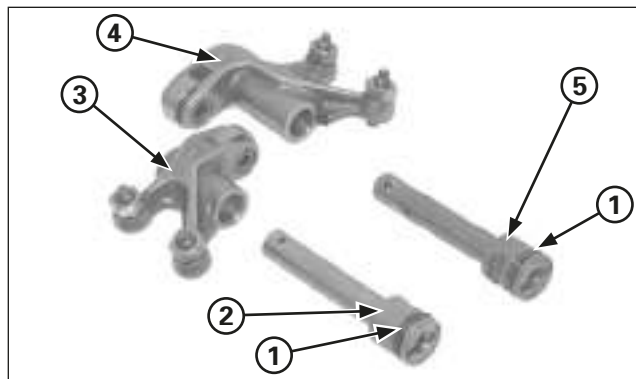
(1) BEARINGS
(2) GROOVE



(1) CAM SPROCKET
(2) CAM CHAIN
(3) INDEX MARKS

Apply molybdenum oil solution to the camshaft cam surface.
Install the bearings both ends of the camshaft.
Install the left camshaft bearing with its groove side facing out.

Install the cam chain onto the cam sprocket, then install the camshaft onto the cylinder head while aligning the index marks on the cam sprocket with the upper surface of the cylinder head.



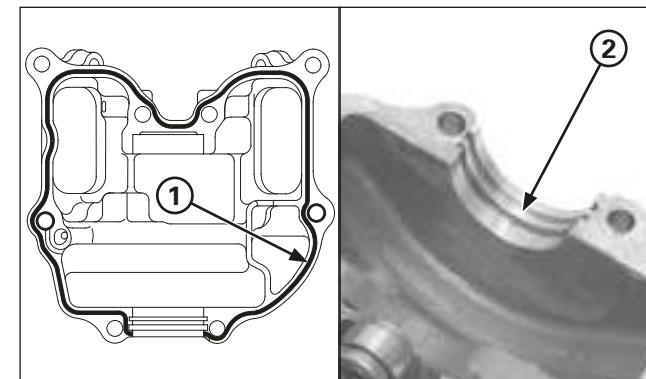
(1) NEW O-RINGS
(2) INTAKE ROCKER ARM SHAFT
(3) INTAKE ROCKER ARM
(4) EXHAUST ROCKER ARM
(5) EXHAUST ROCKER ARM SHAFT

Cylinder Head Cover Assembly

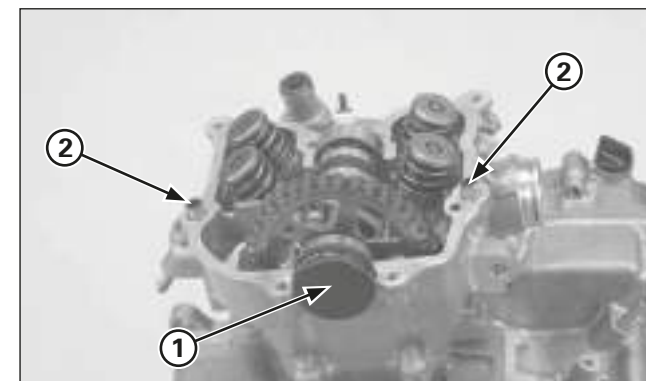
Apply molybdenum oil solution to the rocker arm I.D. and rocker arm shaft sliding surface.
Install new O-ring to each rocker arm shaft groove.

Place the intake rocker and exhaust rocker arm into the cylinder head cover.
The intake rocker arm is identified with groove on the end of the shaft.

Install the intake and exhaust rocker arm shafts with their cut-out facing in and the shaft end oil hole facing up as shown.



(1) APPLY SEALANT
(2) BEARING RETAINER



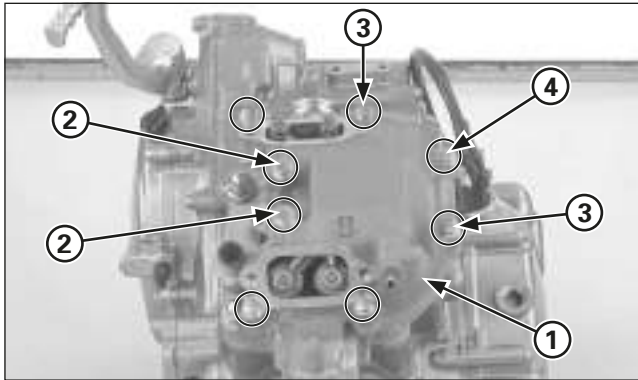
(1) CAMSHAFT END CAP
(2) DOWEL PINS

Cylinder Head Cover Installation

Apply sealant to the mating surface of the cylinder head cover.
Install the camshaft bearing retainer into the cylinder head cover inner groove.

Install the camshaft end cap.

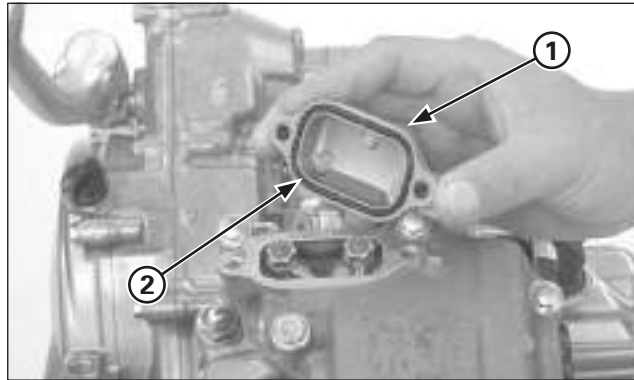
Engine servicing



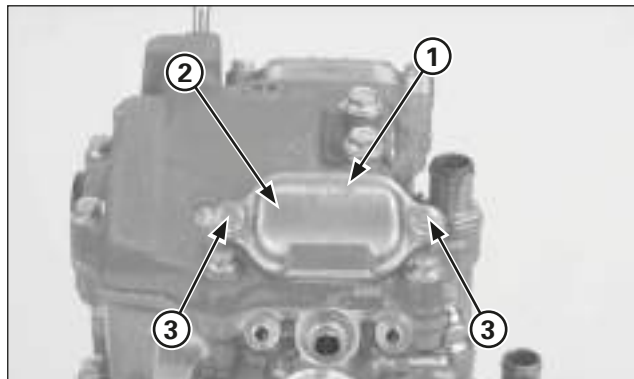
- (1) CYLINDER HEAD COVER
- (2) NEW SEALING WASHERS/6 MM BOLTS
- (3) NEW SEALING WASHERS
- (4) SH BOLTS

Install the cylinder head cover.
Install new sealing washers and 6 mm bolts.
Install the two new sealing washers and cylinder head cover SH bolts.

Tighten the cylinder head cover bolts securely.



- (1) TAPPET ADJUSTING HOLE CAP
- (2) O-RING

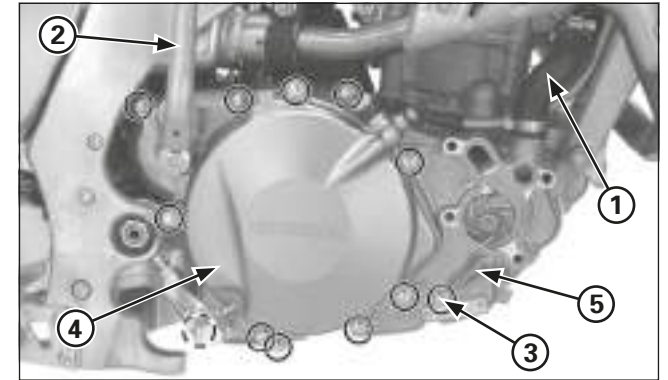


- (1) "UP" MARK
- (2) TAPPET ADJUSTING HOLE CAP
- (3) BOLTS

Check the valve clearance (page 3-4).

Install new O-rings into the tappet adjusting hole cover grooves.
Install the tappet adjusting hole cap with their "UP" marks facing up.

Install and tighten the cover bolts securely.
Connect the crankcase breather hose to the cylinder head cover.



- (1) RADIATOR HOSE
- (2) KICKSTARTER PEDAL
- (3) BOLTS
- (4) CLUTCH COVER
- (5) RIGHT CRANKCASE COVER

Right Crankcase Cover

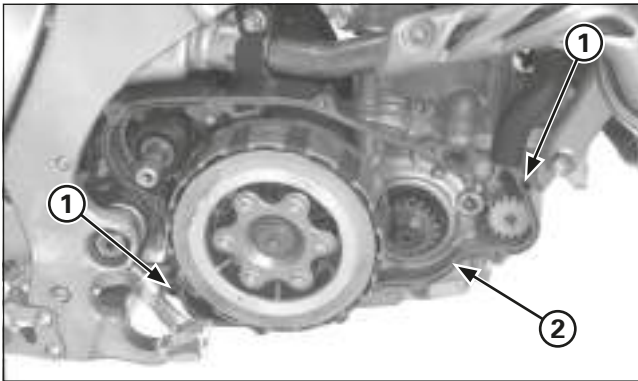
Removal

Remove the water pump cover (page 4-15).

Remove the bolt and kickstarter pedal.

Squeeze the clutch lever and secure the lever to prevent the clutch slave piston comes out from the clutch cover.

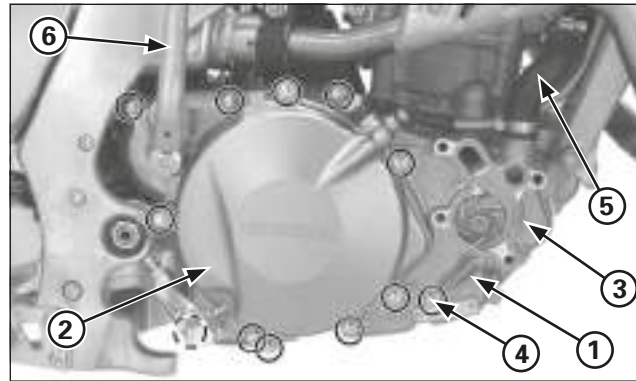
Disconnect the lower radiator hose.
Remove the bolts, clutch cover, right crankcase cover, gasket and dowel pins.



- (1) DOWEL PINS
- (2) NEW GASKET

Installation

Install two dowel pins and new gasket onto the crankcase.



- (1) RIGHT CRANKCASE COVER
- (2) CLUTCH COVER
- (3) WATER PUMP COVER
- (4) BOLTS
- (5) RADIATOR HOSE
- (6) KICKSTARTER PEDAL

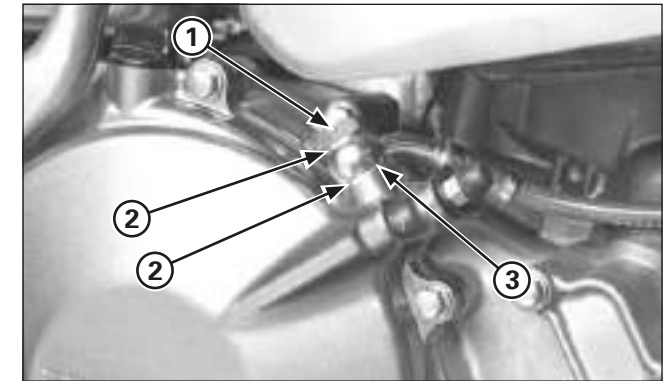
Install the right crankcase cover while turning the water pump impeller.
 Check the clutch cover O-ring is in good condition, replace if necessary.
 Install the clutch cover.

Install the water pump cover (page 4-15).

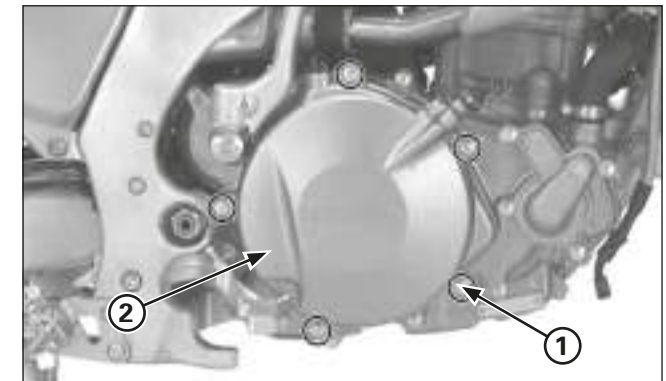
Tighten the right crankcase cover bolts in a crisscross pattern in 2 – 3 steps.
 Install the kickstarter pedal and tighten the bolt to the specified torque.

Torque: 37 N•m (3.8 kgf•m, 27.4 lbf•ft)

Connect the lower radiator hose.
 Fill the crankcase with recommended transmission oil (page 3-8).
 Fill the coolant and bleed air.



- (1) OIL BOLTS
- (2) SEALING WASHERS



- (1) BOLTS
- (2) CLUTCH COVER

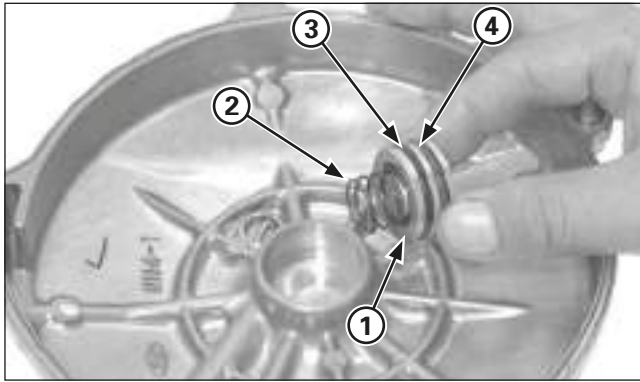
Clutch Slave Cylinder

Drain the clutch fluid from the clutch hydraulic system.

Remove the oil bolt, sealing washers and clutch hose eyelet.

Remove the bolts, clutch cover and O-ring.
 Remove the dowel pins.

Engine servicing



- (1) SLAVE CYLINDER PISTON
- (2) SPRING
- (3) O-RING (BLACK)
- (4) O-RING (GREEN)

Apply small squirts of air pressure to the fluid inlet to remove the piston.
Do not use high pressure air or bring the nozzle close to the inlet.

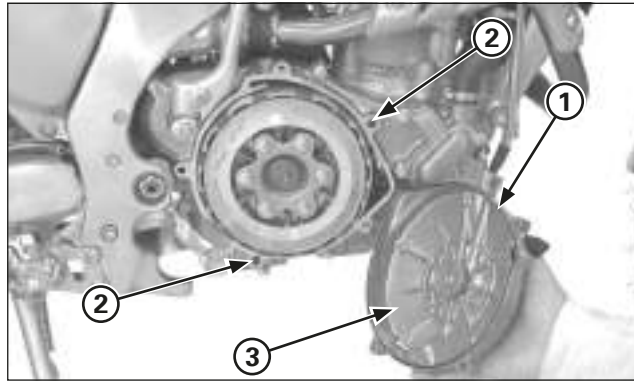
Remove the slave cylinder piston, return spring and O-rings.
Remove the O-rings from the piston.

Check the slave cylinder in the clutch cover for scoring or other damage.
Check the slave cylinder piston for scratches, scoring or other damage.
Check the piston spring for weakness or damage.

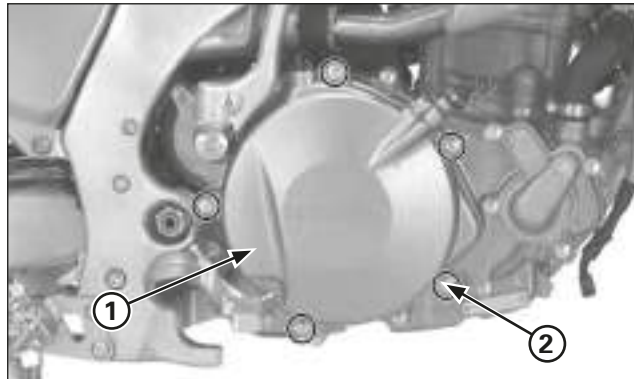
Clean slave cylinder O-ring grooves with clean brake fluid.

Apply silicone grease to the O-rings.
Install 23 x 2.1 mm O-ring (Black) into the spring side groove.
Install 21.8 x 2.4 mm O-ring (Green) into the lifter plate side groove.
Do not interchange the O-rings.

Install the return spring and piston into the slave cylinder in the clutch cover.



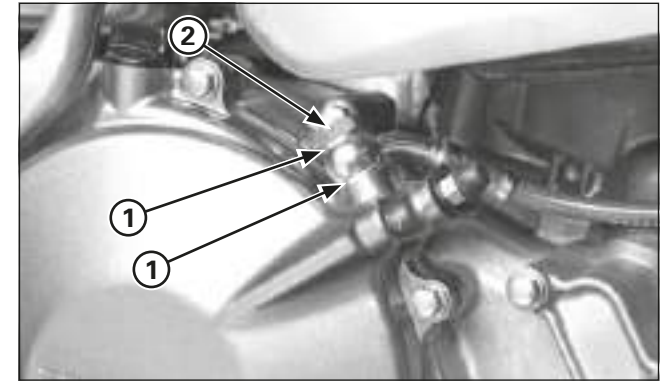
- (1) O-RING
- (2) DOWEL PINS
- (3) CLUTCH COVER



- (1) CLUTCH COVER
- (2) BOLTS

Install new O-ring into the clutch cover groove.
Install the dowel pins onto the right crankcase cover.
Install the clutch cover onto the right crankcase cover.

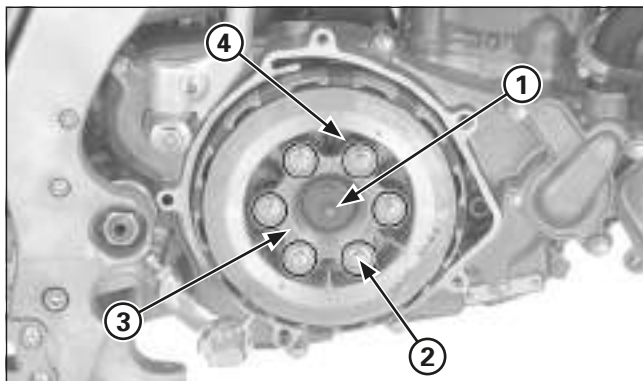
Install and tighten the clutch cover bolts.



- (1) SEALING WASHERS
- (2) OIL BOLTS

Install the clutch hose eyelet with new sealing washers.
Install and tighten the oil bolt..

Fill the clutch system with recommended brake fluid and bleed air.



- (1) CLUTCH LIFTER PIECE ASSEMBLY
- (2) LIFTER PLATE BOLTS
- (3) LIFTER PLATE
- (4) CLUTCH SPRINGS

Clutch

Removal

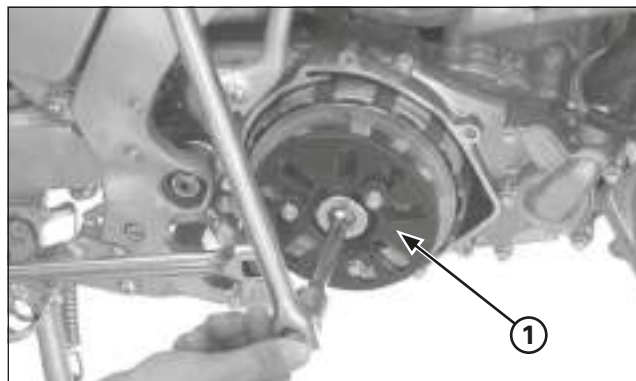
Pull the clutch lever and hold it with a suitable clamp.

Remove the bolts and clutch cover without disconnecting the clutch fluid line.

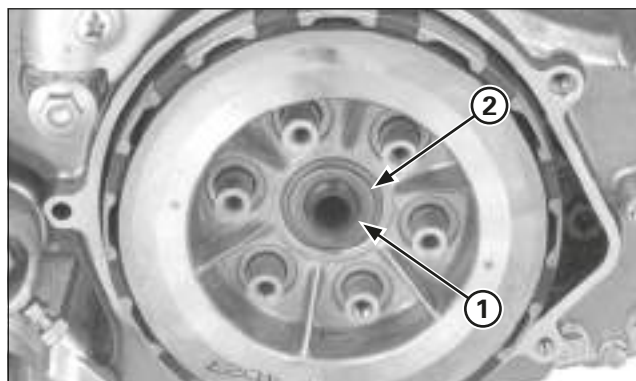
Remove the clutch lifter piece assembly.

Remove the following:

- Clutch lifter plate bolts
- Lifter plate
- Clutch springs



- (1) CLUTCH CENTER HOLDER



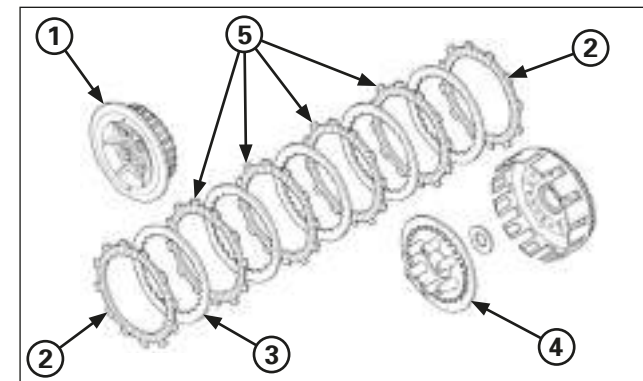
- (1) LOCK WASHER
- (2) PLAIN WASHER

Hold the clutch assembly with the clutch center holder and remove the clutch center nut.

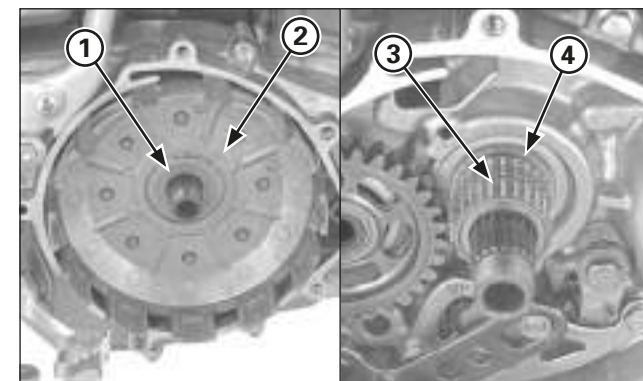
Tool:

Clutch center holder 07JMB-MN50302

Remove the lock washer and plain washer.



- (1) CLUTCH CENTER
- (2) CLUTCH DISCS
- (3) CLUTCH PLATE
- (4) PRESSURE PLATE
- (5) PAPER DISCS



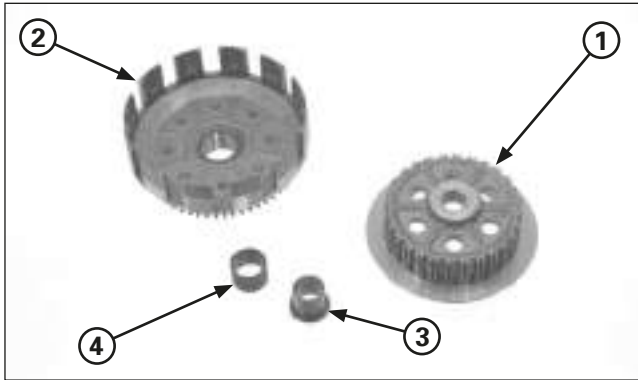
- (1) THRUST WASHER
- (2) CLUTCH OUTER
- (3) NEEDLE BEARING
- (4) CLUTCH OUTER GUIDE

Remove the following:

- Clutch center
- Six clutch discs
- Five clutch plates
- Clutch pressure plate

Remove the thrust washer, clutch outer, needle bearing and clutch outer guide.

Engine servicing

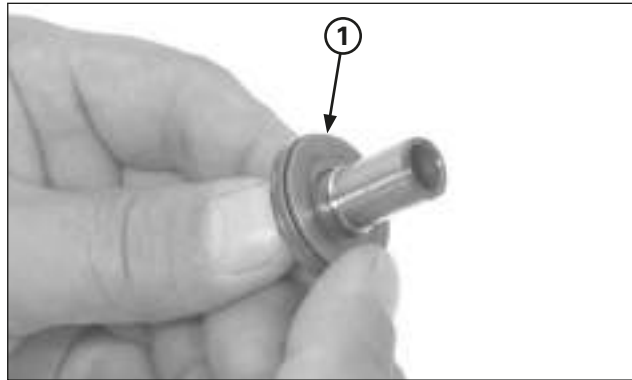


- (1) CLUTCH CENTER
- (2) CLUTCH OUTER
- (3) OUTER GUIDE
- (4) NEEDLE BEARING

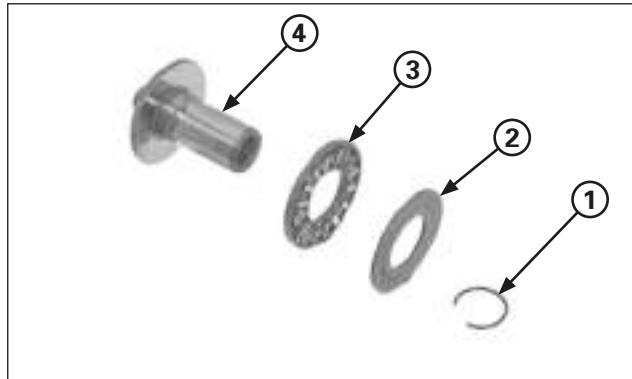
Inspection

Check the following items (page 2-2).

- Clutch outer for wear, cracks or indentation by the clutch discs.
- Clutch center grooves for damage, crack or indentation by the clutch plates.
- Clutch outer needle bearing for wear or damage.
- Clutch spring free length
- Clutch disc thickness
- Clutch plate warpage
- Clutch outer I.D.
- Clutch outer guide I.D. and O.D.
- Clutch pressure plate for wear or damage
- Mainshaft O.D. at clutch outer guide



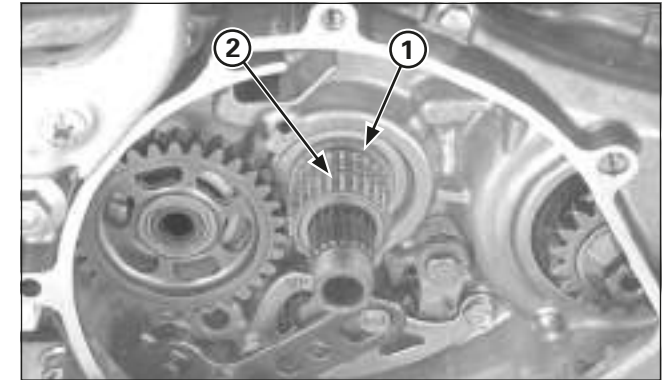
- (1) LIFTER PIECE ASSEMBLY



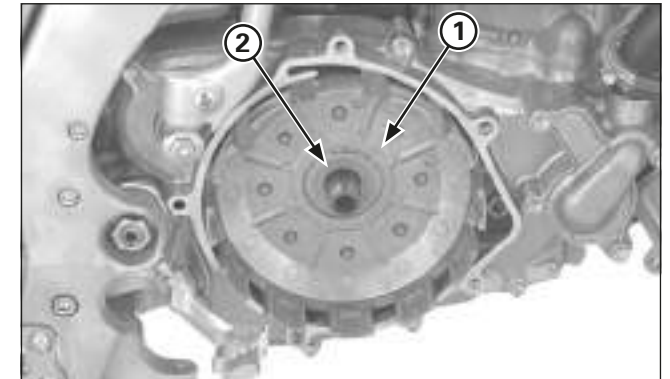
- (1) CIRCLIP
- (2) THRUST WASHER
- (3) THRUST NEEDLE BEARING
- (4) LIFTER PIECE

Check the lifter piece needle bearing by turning the thrust washer with your finger.
If the bearing movement is not smooth, disassemble and replace the bearing.

Remove the circlip, thrust washer and thrust needle bearing from the lifter piece.
Assemble the lifter piece in the reverse order of removal.



- (1) OUTER GUIDE
- (2) NEEDLE BEARING

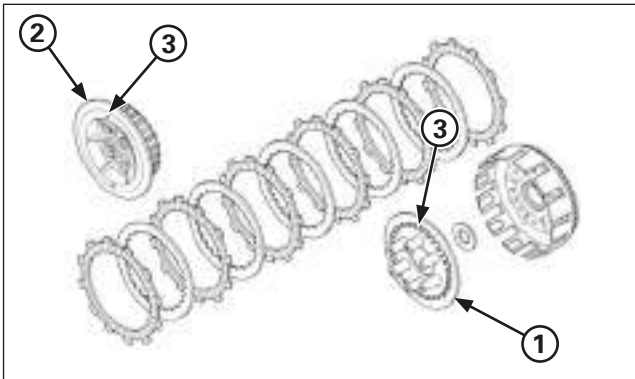


- (1) CLUTCH OUTER
- (2) THRUST WASHER

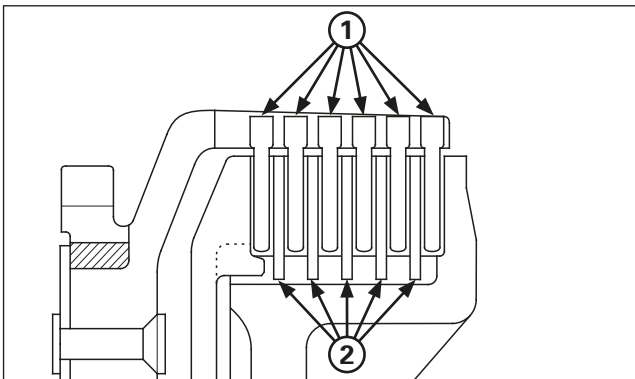
Installation

Install the clutch outer guide and needle bearing onto the mainshaft.

Install the clutch outer and thrust washer.



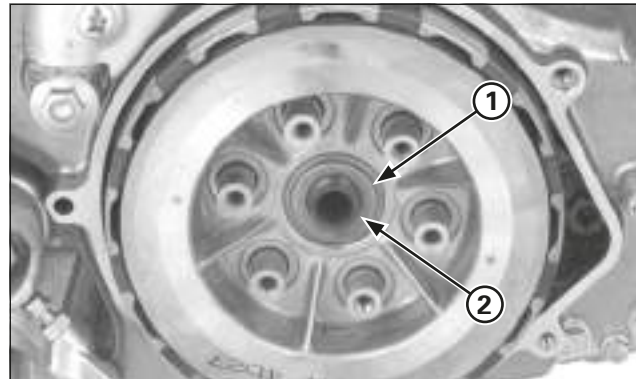
(1) PRESSURE PLATE
(2) CLUTCH CENTER
(3) DOT MARKS



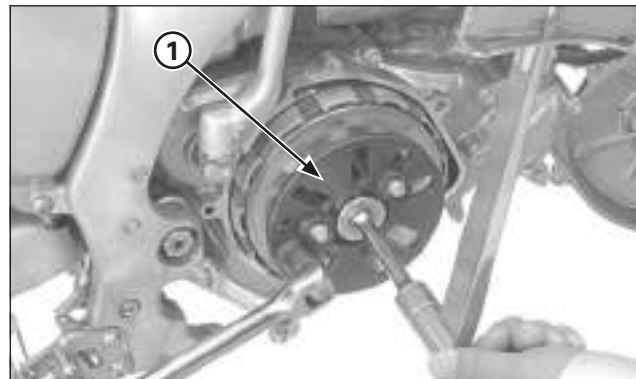
(1) CLUTCH DISCS
(2) CLUTCH PLATE

Coat the clutch plates with clean transmission oil.
Install the clutch discs and plates alternately onto the clutch center starting with the clutch disc
Install the clutch pressure plate onto the clutch center aligning the dot mark on the pressure plate with the dot marks on the clutch center as shown.

Install the clutch center assembly into the clutch outer.



(1) THRUST WASHER
(2) LOCK WASHER ("OUTSIDE" MARK IN FRONT)

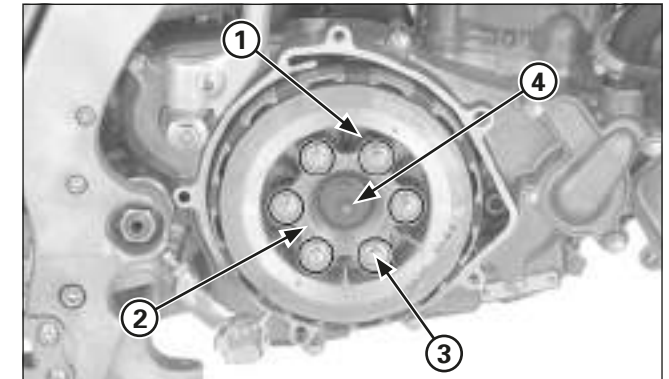


(1) CLUTCH CENTER HOLDER

Install the thrust washer onto the mainshaft.
Install the lock washer with its "OUT SIDE" mark facing out.
Apply oil to the clutch center nut and install it.
Hold the clutch assembly with the clutch center holder and tighten the clutch center nut to the specified torque.

Tool:
Clutch center holder 07JMB-MN50302

Torque: 69 N·m (7.0 kgf·m, 51 lbf·ft)



(1) CLUTCH SPRINGS
(2) LIFTER PLATE
(3) BOLTS
(4) LIFTER PIECE ASSEMBLY

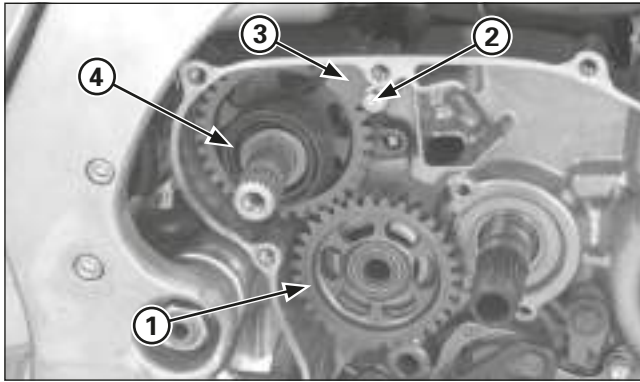
Install the clutch springs, lifter plate and spring bolts.
Tighten the spring bolts in a crisscross pattern in several steps, then tighten them to the specified torque.

Torque: 12 N·m (1.2 kgf·m, 9 lbf·ft)

Install the clutch lifter piece assembly.

Install the clutch cover (page 4-41).

Engine servicing



- (1) IDLE GEAR/THRUST WASHER
- (2) BOLT
- (3) STOPPER PLATE
- (4) KICKSTARTER ASSEMBLY

Kickstarter

Removal/Disassembly

Remove the clutch (page 4-43)

Remove the kickstarter idle gear and thrust washer.

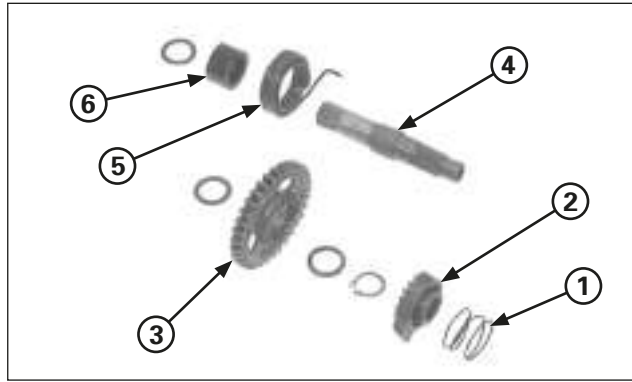
Remove the bolt and return spring stopper plate.
Unhook the return spring end from the crankcase and remove the kickstarter as an assembly.

Disassemble the kickstarter.

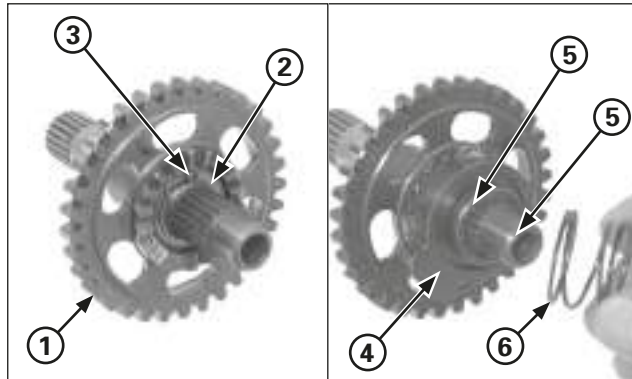
Inspection

Check the following items (page 2-2):

- Return spring and ratchet spring for wear or damage.
- Needle bearing for wear or damage.
- Pinion gear I.D. and spindle O.D.
- Idle gear I.D. and bushing O.D. and I.D.
- Countershaft O.D. at the idle gear bushing.



- (1) RATCHET SPRING
- (2) STARTER RATCHET
- (3) PINION GEAR
- (4) SPINDLE
- (5) RETURN SPRING
- (6) COLLAR



- (1) PINION GEAR
- (2) THRUST WASHER
- (3) SNAP RING
- (4) STARTER RATCHET
- (5) PUNCH MARKS
- (6) RATCHET SPRING

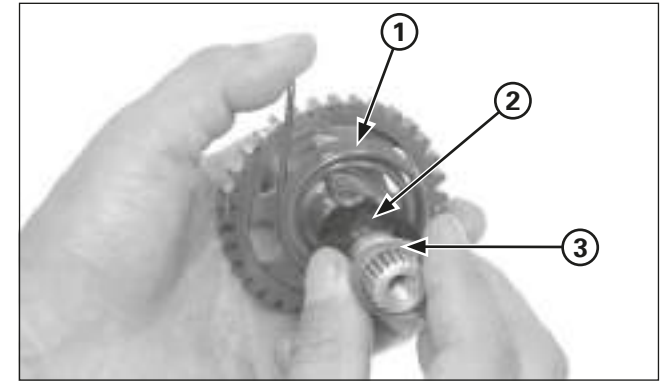
Assembly/Installation

Assemble the kickstarter as shown in the illustration above.

Install the thrust washer, pinion gear, thrust washer and snap ring.

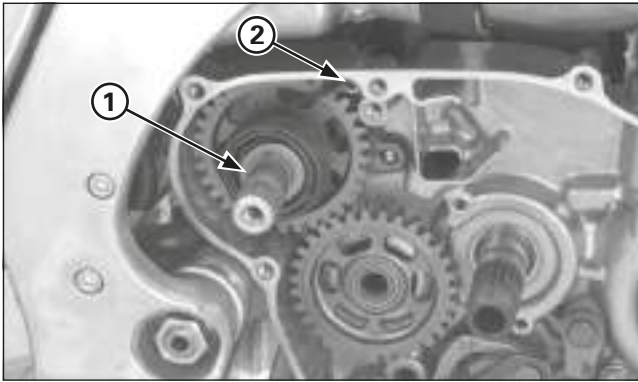
Install the starter ratchet aligning the punch marks on the ratchet and spindle.

Install the ratchet spring.



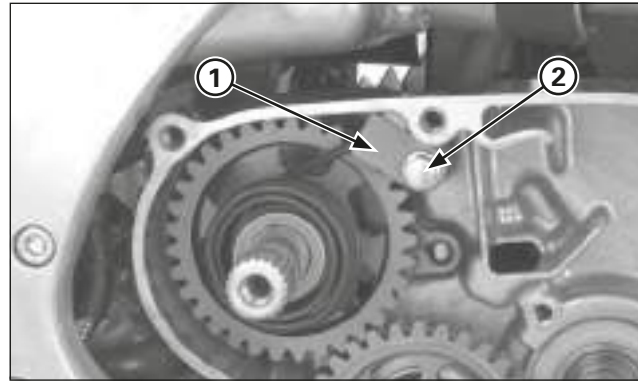
- (1) RETURN SPRING
- (2) COLLAR
- (3) WASHER

Install the return spring with its end into the spindle hole.
Install the collar aligning its groove with the return spring end, then install the washer.

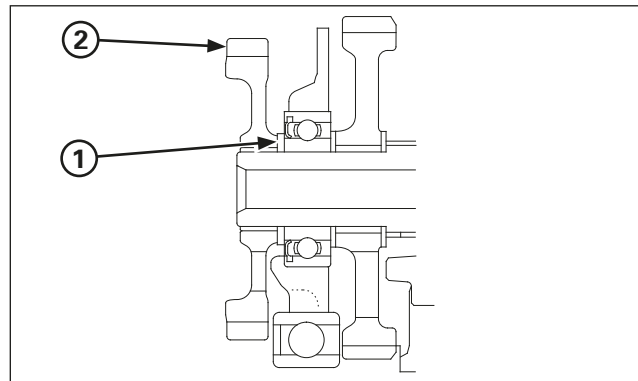


(1) KICKSTARTER ASSEMBLY
(2) SPRING HOOK

Install the kickstarter assembly and hook the starter ratchet with the stopper.
Install the return spring end into the crankcase hole as shown.



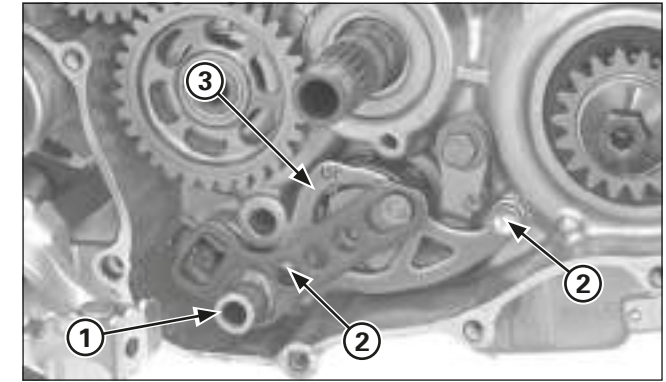
(1) STOPPER PLATE
(2) BOLT



(1) THRUST WASHER
(2) IDLE GEAR

Install the kickstarter return spring stopper plate, and tighten the bolt securely.

Install the thrust washer and idle gear onto the countershaft.
Note the direction of the idle gear as shown in the illustration.



(1) GEARSHIFT SPINDLE
(2) BOLTS
(3) GUIDE PLATE

Gearshift Linkage

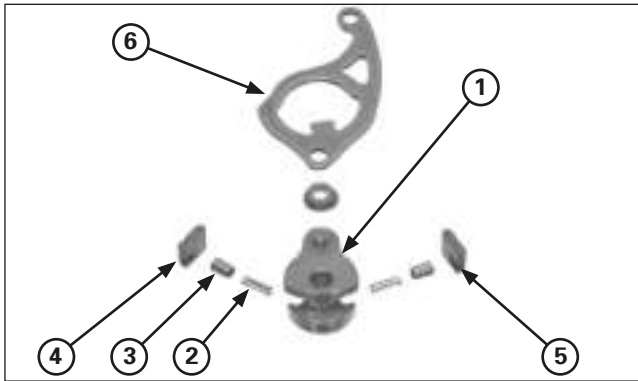
Removal

Remove the gearshift pedal.
Pull out the gearshift spindle from the crankcase.

Remove the guide plate bolts and guide plate as an assembly.

Remove the center bolt and drum center.
Remove the bolts and stopper arm, return spring and washer.

Engine servicing



- (1) DRUM SHIFTER
- (2) SPRING
- (3) PLUNGER
- (4) RATCHET PAWL A
- (5) RATCHET PAWL B
- (6) GUIDE PLATE

Inspection

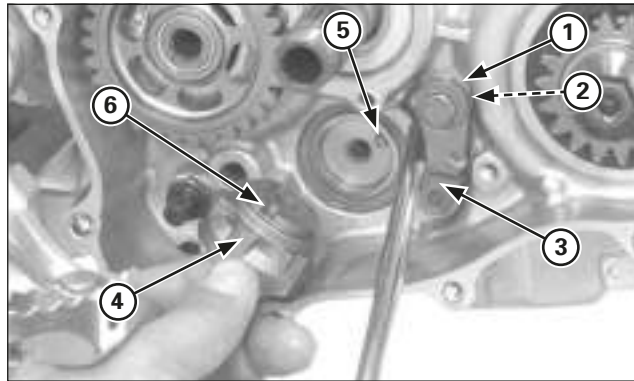
Inspect each part for wear or damage and replace if necessary.

Installation

Apply transmission oil to the ratchet pawls, springs and plungers. Assemble the drum shifter, springs, plungers and ratchet pawls in the guide plate as shown.

NOTICE

Note the direction of the ratchet pawl A and B.

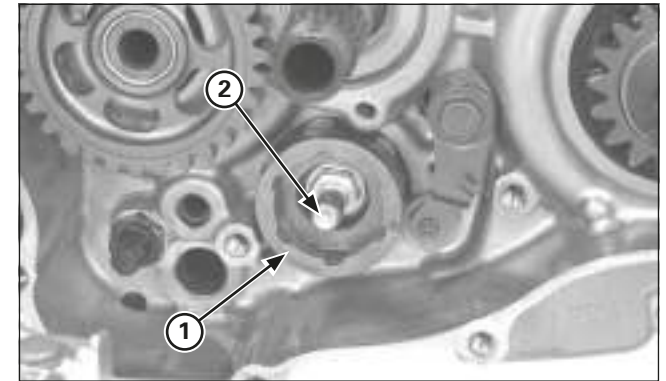


- (1) RETURN SPRING
- (2) WASHER
- (3) STOPPER ARM
- (4) DRUM CENTER
- (5) DOWEL PIN
- (6) CUT-OUT

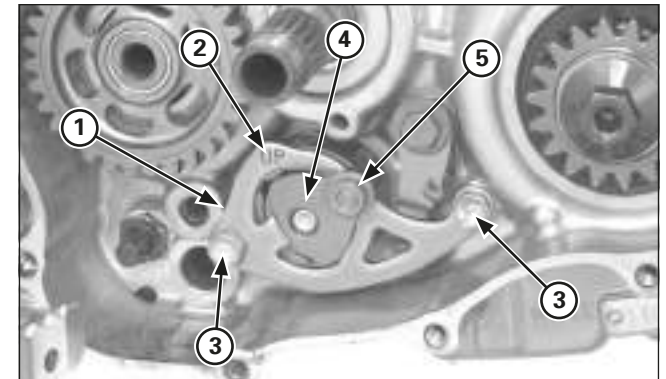
Install the return spring, plain washer and stopper arm and tighten the stopper arm bolt to the specified torque.

Torque: 12 N·m (1.2 kgf·m, 9 lbf·ft)

Install the dowel pin into the shift drum. Install the drum center by aligning the cut-out with the dowel pin on the shift drum while holding the stopper arm with the screwdriver as shown.



- (1) SHIFT DRUM CENTER
- (2) CENTER PIN

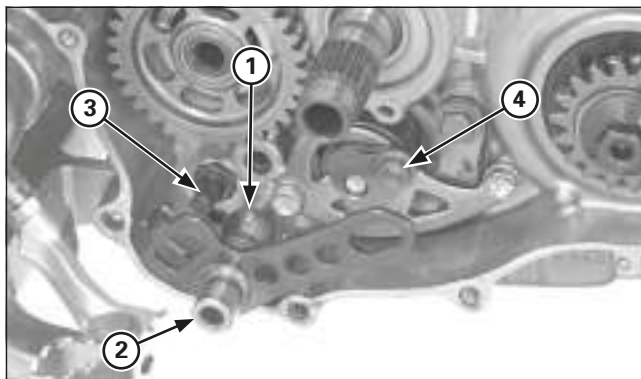


- (1) GUIDE PLATE
- (2) "UP" MARK
- (3) BOLTS
- (4) DRUM SHIFTER
- (5) SHIFTER COLLAR

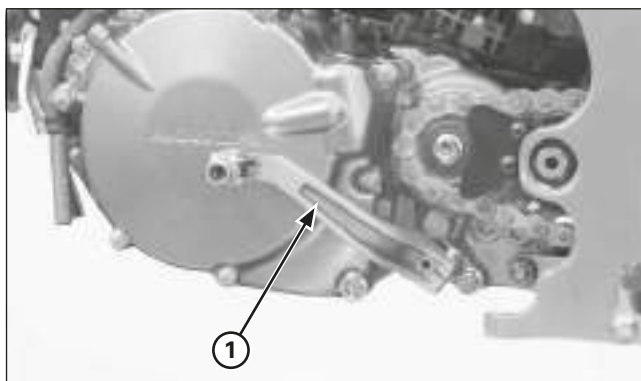
Apply a locking agent to the center bolt threads and install and tighten the drum center bolt to the specified torque.

Torque: 22 N·m (2.2 kgf·m, 16 lbf·ft)

Set the drum center in a position other than neutral. Install the drum shifter with the guide plate while holding onto the ratchet pawls. Install the guide plate bolts and tighten them. Install the shifter collar on the drum shifter.



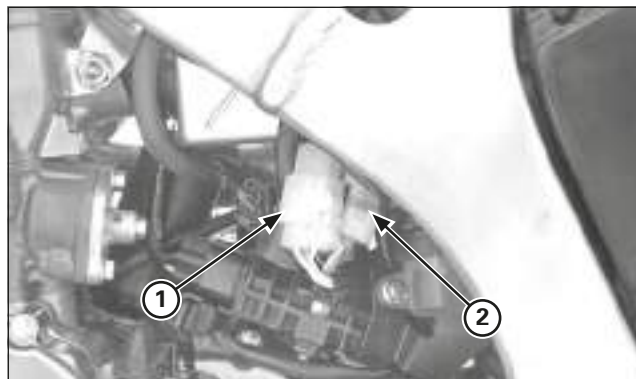
(1) WASHER
 (2) GEARSHIFT SPINDLE
 (3) RETURN SPRING PIN
 (4) SHIFTER COLLAR



(1) GEARSHIFT PEDAL

Install the washer and gearshift spindle aligning the return spring ends with the shift fork shaft on the crankcase and guide plate hole with the shifter collar.

Install the gearshift pedal and check the operation.



(1) 3P (NATURAL) CONNECTOR
 (2) 2P (NATURAL) CONNECTOR

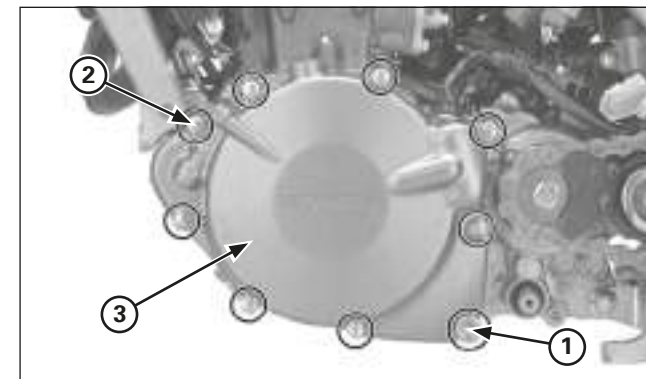
Left Crankcase Cover

Removal

Remove the skid plate and drain engine oil.

Disconnect the alternator 3P (Natural) connector and ignition pulse generator 2P (Natural) connectors.

Remove the gearshift pedal.



(1) DRAIN BOLT/SEALING WASHER
 (2) BOLTS
 (3) LEFT CRANKCASE COVER

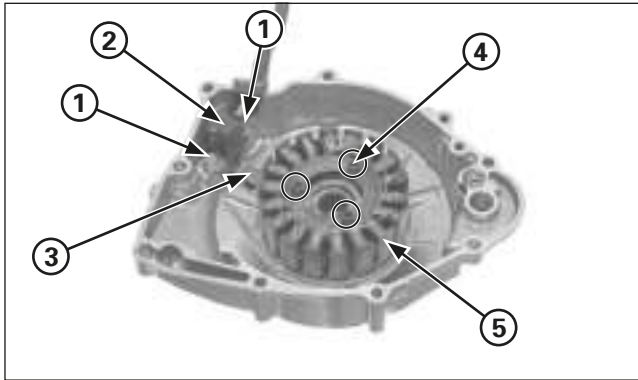
Remove the engine oil drain bolt and sealing washer, drain the engine oil.
 Remove the bolts and left crankcase cover.

NOTICE

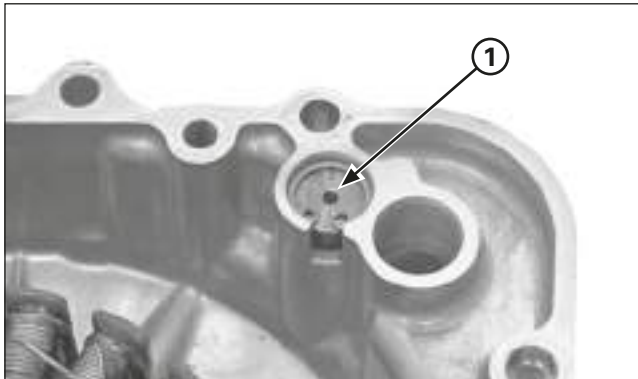
The left crankcase cover (stator) is magnetically attached to the flywheel, be careful during removal.

Remove the left crankcase cover, gasket and dowel pins.

Engine servicing



(1) BOLTS (2) IGNITION PULSE GENERATOR
(3) WIRE GUIDE (4) SOCKET BOLTS
(5) STATOR

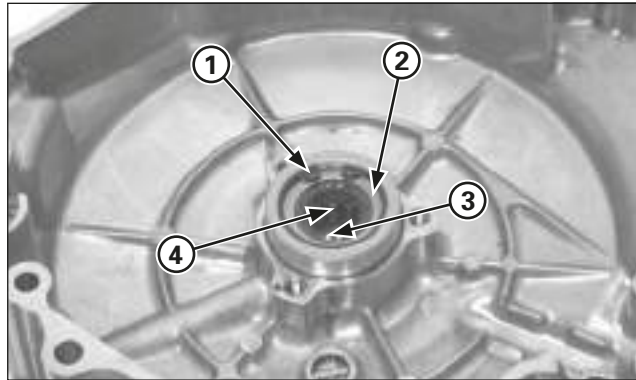


(1) OIL PRESSURE RELIEF VALVE

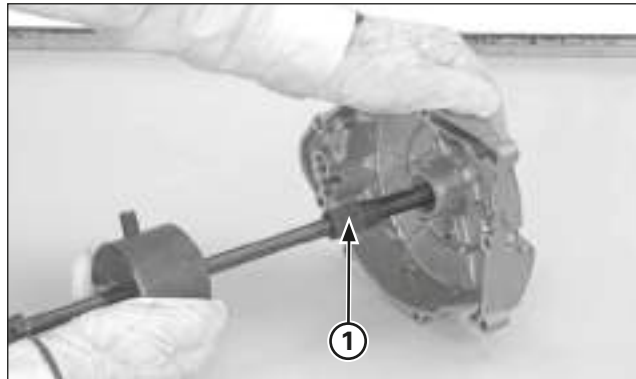
Disassembly/Assembly

Remove the ignition pulse generator mounting flange bolts and alternator wire clamp.
Remove the stator mounting socket bolts.
Remove the stator/ignition pulse generator from the left crankcase cover.

Remove the oil pressure relief valve (page 4-1).



(1) SNAP RING (2) WASHER
(3) OIL SEAL (4) NEEDLE BEARING



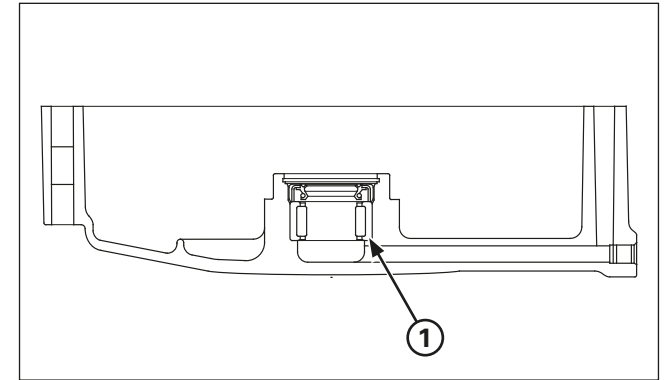
(1) BEARING REMOVER

Check the crankshaft oil seal and needle bearing for wear or damage, replace them if necessary.
Remove the snap ring and washer, then remove the oil seal.

Remove the needle bearing using the special tools.

Tools:

Bearing remover shaft, 15 mm 07936-KC10100
Bearing remover head, 15 mm 07936-KC10200
Remover weight 07741-0010201

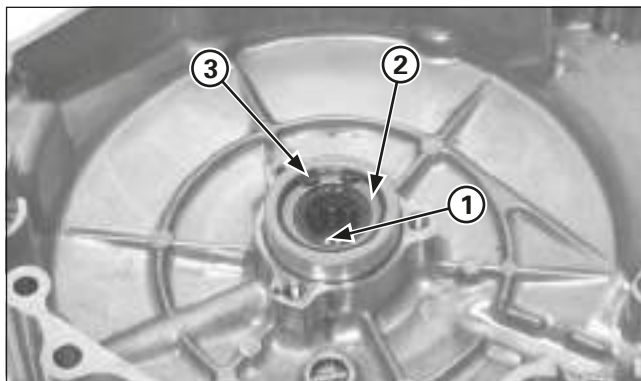


(1) NEEDLE BEARING

Press new needle bearing into the left crankcase cover using the special tools.

Tools:

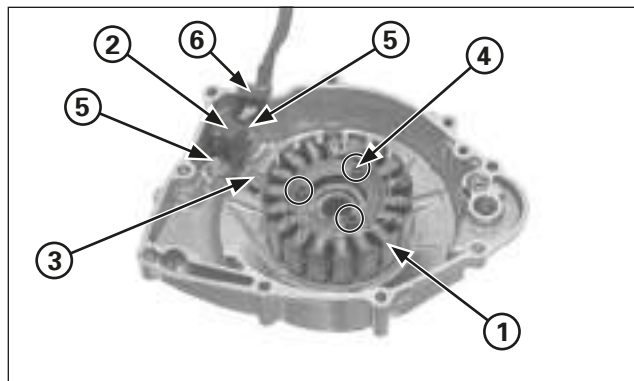
Driver 07749-0010000
Attachment, 22 x 24 mm 07746-0010800
Pilot, 15 mm 07746-0040300



- (1) OIL SEAL
- (2) WASHER
- (3) SNAP RING

Apply grease to the new oil seal lip and install it into the left crankcase cover.
Install the washer and snap ring.

Install the oil pressure relief valve (page 4-1).



- (1) STATOR
- (2) IGNITION PULSE GENERATOR
- (3) WIRE CLAMP
- (4) SOCKET BOLTS
- (5) BOLTS
- (6) GROMMET

Install the stator and ignition pulse generator assembly into the left crankcase cover.
Apply locking agent to the stator and ignition pulse generator mounting bolt threads.
Install the alternator wire clamp.

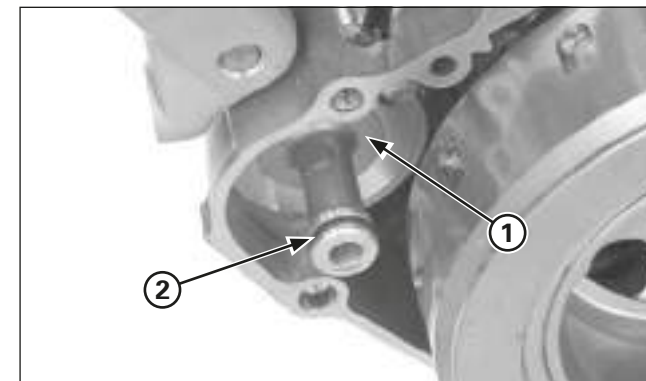
Install the stator and ignition pulse generator mounting bolts.
Tighten the stator mounting bolts to the specified torque.

Torque: 5.4 N·m (0.55 kgf·m, 4.0 lbf·ft)

Tighten the ignition pulse generator mounting bolts to the specified torque.

Torque: 5.4 N·m (0.55 kgf·m, 4.0 lbf·ft)

Apply sealant to the stator/ignition pulse generator wire grommet and install it into the left crankcase cover groove.



- (1) OIL FILTER COVER
- (2) O-RING



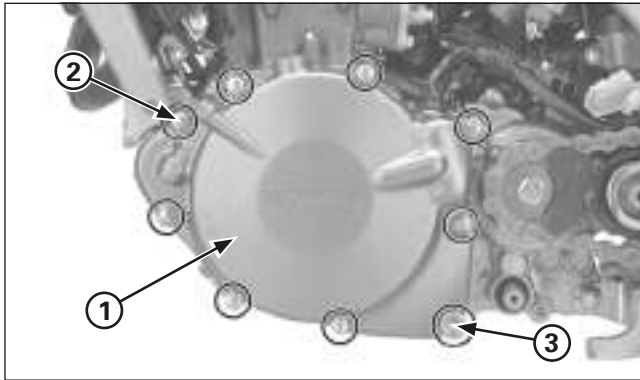
- (1) DOWEL PINS
- (2) NEW GASKET

Installation

Check the oil filter cover O-ring is in groove condition, replace if necessary.

Install dowel pins and new gasket.

Engine servicing



- (1) LEFT CRANKCASE COVER
- (2) BOLTS
- (3) NEW SEALING WASHER/DRAIN BOLT

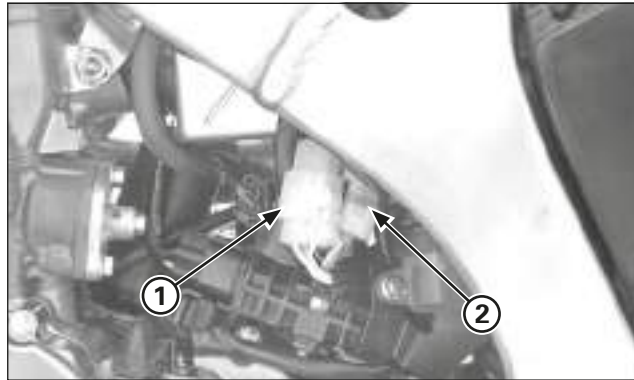
Install the left crankcase cover being careful not to damage the oil filter cover O-ring.

NOTICE

The left crankcase cover (stator) is magnetically attached to the flywheel, be careful during installation.

Install and tighten the bolts in a crisscross pattern in 2 or 3 steps.
Install the new sealing washer and engine oil drain bolt, tighten the bolt to the specified torque.

Torque: 22 N·m (2.2 kgf·m, 16 lbf·ft)



- (1) 3P (NATURAL) CONNECTOR
- (2) 2P (NATURAL) CONNECTOR

Install the gearshift pedal.

Connect the alternator 3P (Natural) connector and ignition pulse generator 2P (Natural) connectors.

Pour recommended engine oil up to proper level.

Install the slid plate.



Flywheel

Removal

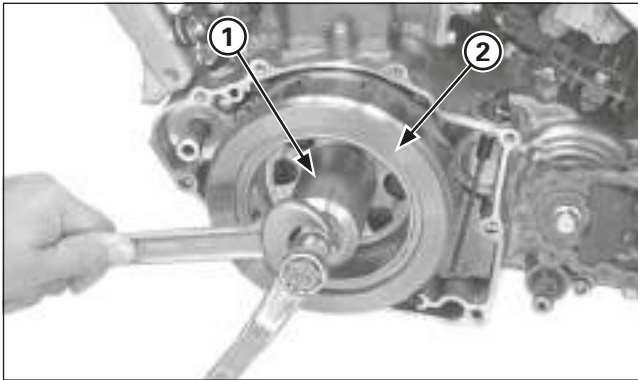
Remove the left crankcase cover (page 4-50).

Hold the flywheel with flywheel holder, loosen the flywheel nut.

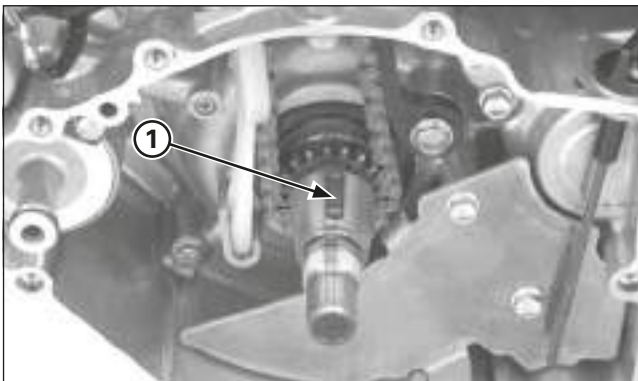
Tool:

Flywheel holder

89020-NN4-003



(1) FLYWHEEL PULLER
(2) FLYWHEEL



(1) WOODRUFF KEY

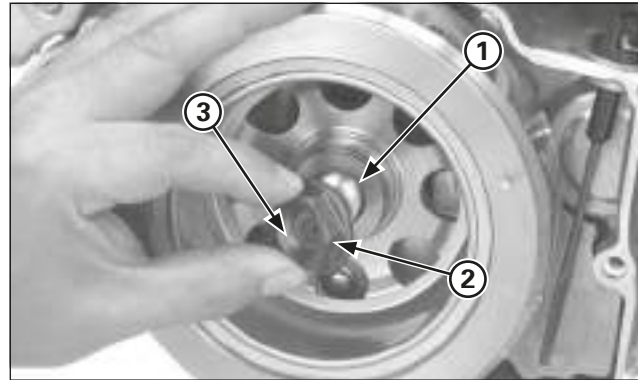
Remove the flywheel using the special tool.

Tool:
Flywheel puller (Generic tool)

Remove the woodruff key.

Installation

Install the woodruff key onto the crankshaft groove.



(1) WASHER
(2) FLYWHEEL NUT
(3) APPLY OIL

Install the flywheel onto the crankshaft.
Apply oil to the flywheel nut threads and seating surface.
Install the washer and flywheel nut.



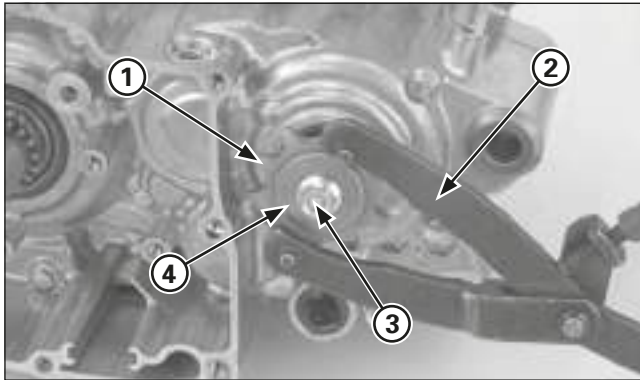
Hold the flywheel with flywheel holder, tighten the flywheel nut to the specified torque.

Tool:
Flywheel holder **89020-NN4-003**

Torque: 167 N•m (17.0 kgf•m, 123 lbf•ft)

Install the left crankcase cover (page 4-50).

Engine servicing



- (1) DRIVE SPROCKET
- (2) UNIVERSAL HOLDER
- (3) BOLT
- (4) SPRING WASHER

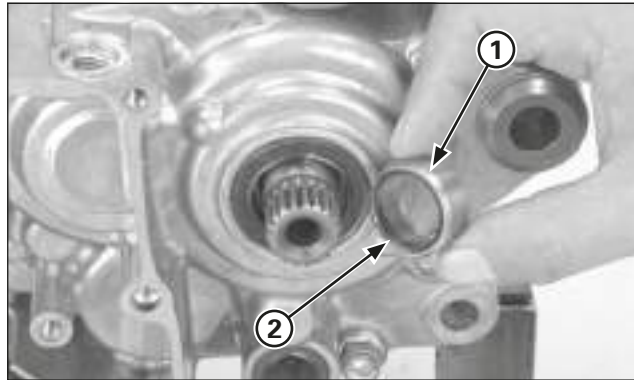
Crankcase Separation/Disassembly

Remove the engine from the frame.

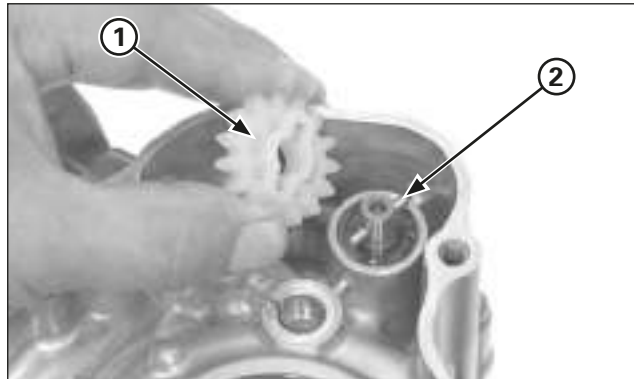
Remove the following:

- Cylinder head, cylinder, piston
- Clutch
- Kickstarter
- Gearshift linkage
- Flywheel and stator
- Oil filter
- Crankcase breather hose

Hold the drive sprocket with the universal holder and remove the drive sprocket bolt, spring washer and drive sprocket.



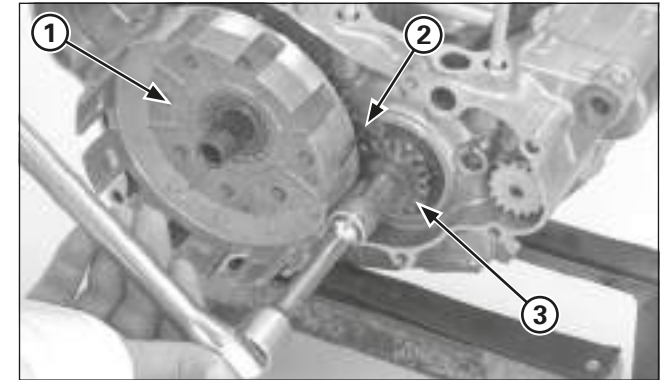
- (1) COUNTERSHAFT COLLAR
- (2) O-RING



- (1) OIL PUMP DRIVEN GEAR
- (2) DRIVE PIN

Remove the countershaft collar and O-ring.

Remove the oil pump driven gear and drive pin.



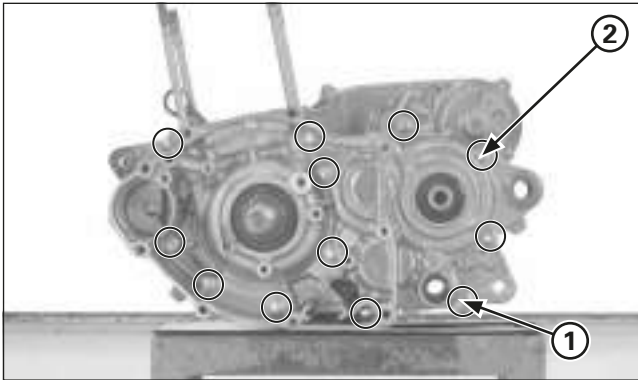
- (1) CLUTCH OUTER
- (2) GEAR HOLDER
- (3) PRIMARY DRIVE GEAR

Temporarily install the clutch outer guide, needle bearing and clutch outer onto the mainshaft and attach the gear holder between the primary drive and driven gears. Remove the primary drive gear bolt.

Tool:

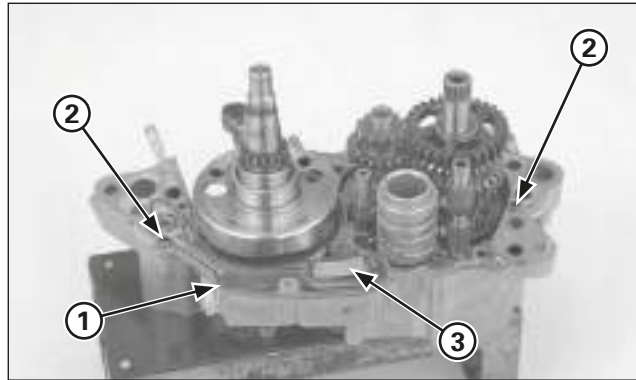
Gear holder 07724-0010100

Remove the washer, primary drive gear and drive gear collar.

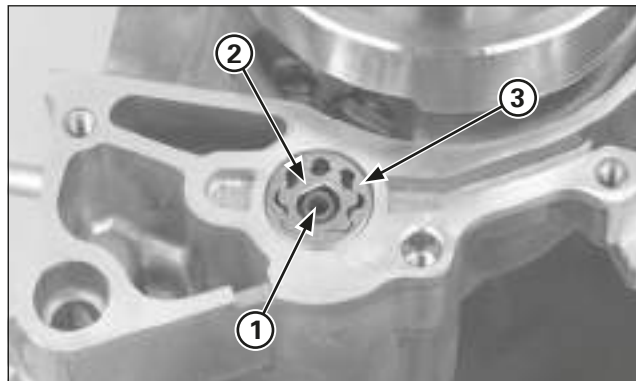


(1) TRANSMISSION OIL DRAIN BOLT
(2) CRANKCASE BOLTS

Remove the transmission oil drain bolt and sealing washer. Loosen the crankcase bolts in a crisscross pattern in 2 or 3 steps. Remove the crankcase bolts.



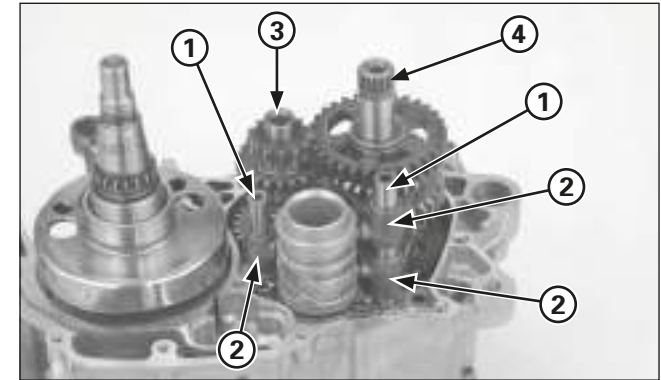
(1) GASKET
(2) DOWEL PINS
(3) ONE-WAY REED VALVE



(1) OIL PUMP SHAFT
(2) INNER ROTOR
(3) OUTER ROTOR

Place the right crankcase facing down and remove the left crankcase from the right crankcase. Remove the gasket and dowel pins. Remove the one-way reed valve.

Remove the oil pump shaft, oil pump inner and outer rotors.

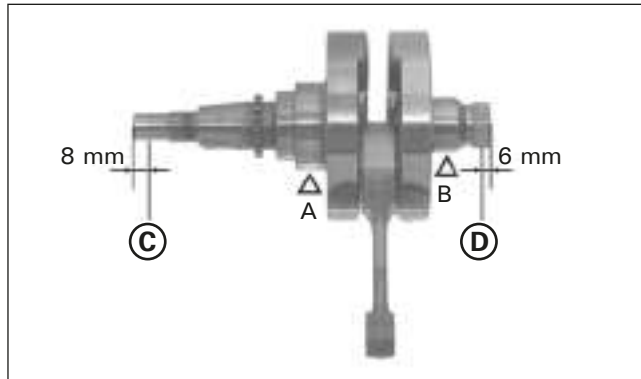


(1) SHIFT FORK SHAFTS
(2) SHIFT FORKS
(3) MAINSHAFT
(4) COUNTERSHAFT

Remove the following:

- Crankshaft
- Shift fork shafts, shift forks and shift drum
- Mainshaft and countershaft assembly

Disassemble the mainshaft and countershaft.



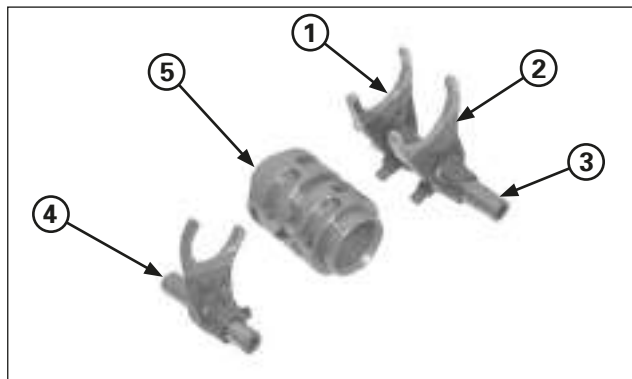
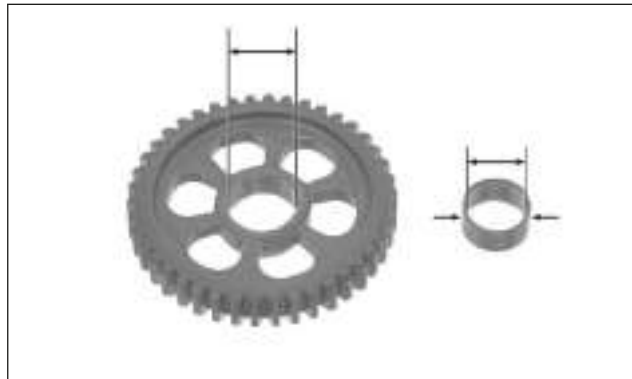
Crankshaft/Transmission Inspection

Measure the crankshaft runout. Support the crankshaft at point "A" and "B", and then measure the runout at the points "C" and "D".

Service limit:

C:	0.05 mm (0.002 in)
D:	0.03 mm (0.001 in)

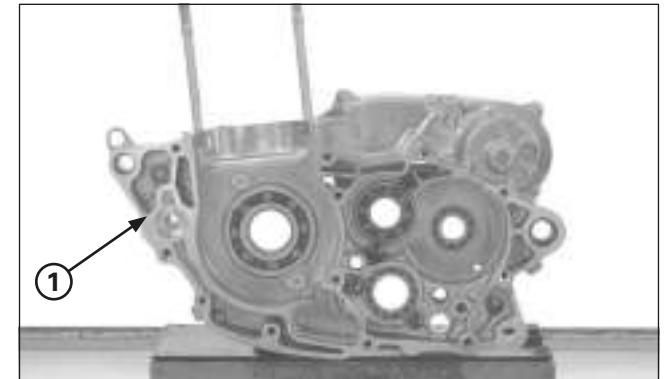
Measure the connecting rod big end side clearance and big end axial/radial play (specification; page 2-3).



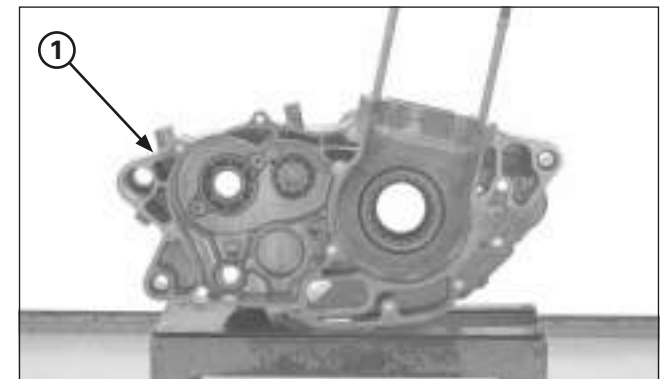
- (1) RIGHT SHIFT FORK
- (2) LEFT SHIFT FORK
- (3) RIGHT/LEFT SHIFT FORK SHAFT
- (4) CENTER SHIFT FORK/SHAFT
- (5) SHIFT DRUM

Inspect each part for wear or damage. Check the following items (specifications; page 2-1).

- Spinning gear I.D.
- Bushing I.D. and O.D.
- Mainshaft and countershaft O.D.
- Shift fork I.D. and claw thickness
- Shift fork shaft O.D.
- Shift drum O.D.



(1) RIGHT CRANKCASE



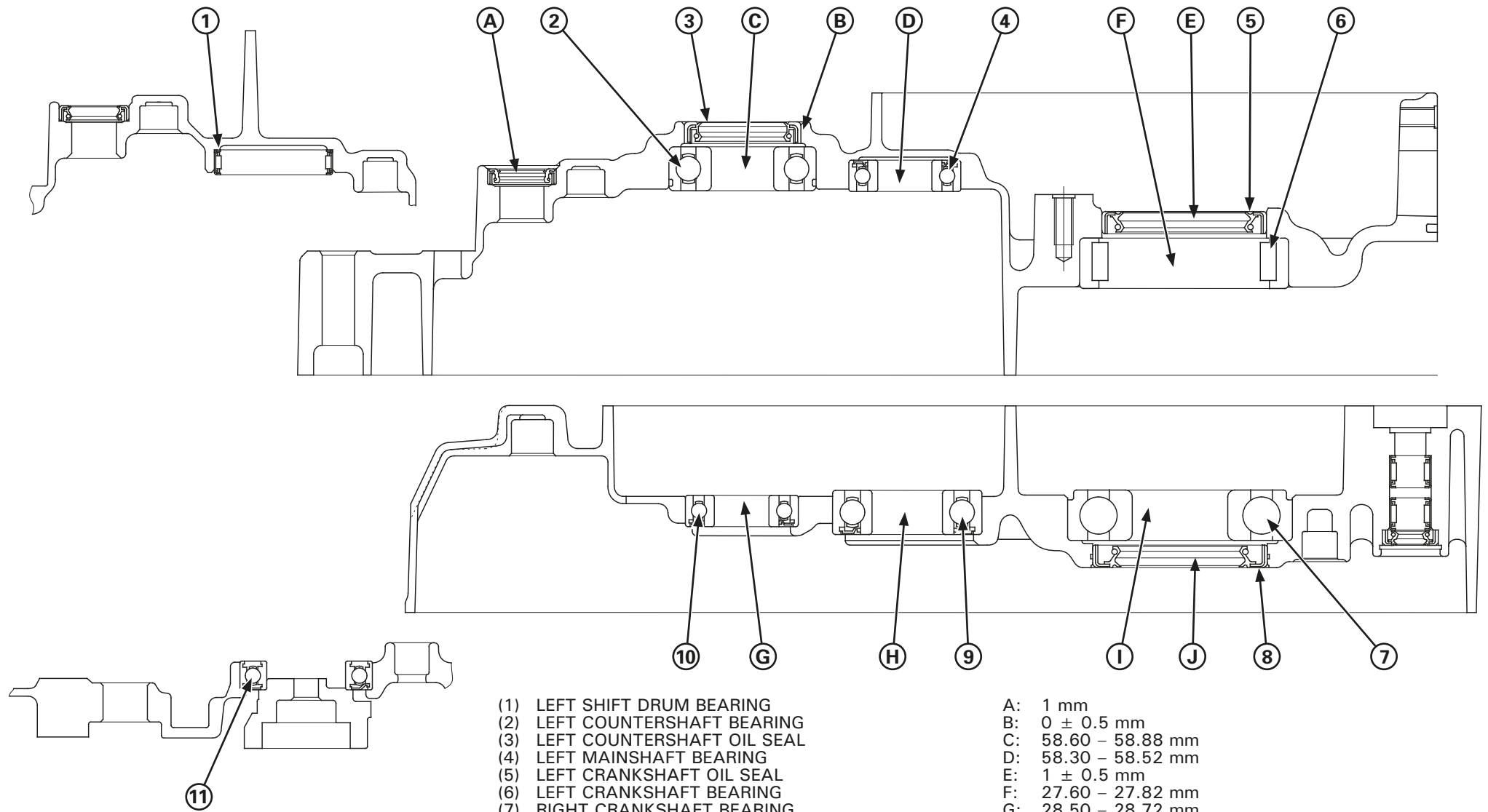
(1) LEFT CRANKCASE

Crankcase Bearing Replacement

Remove the oil seals and bearing set plates. Drive out the bearing using the special tools (Tools; page 2-8).

Install the new bearing as shown in the illustration using the special tools.

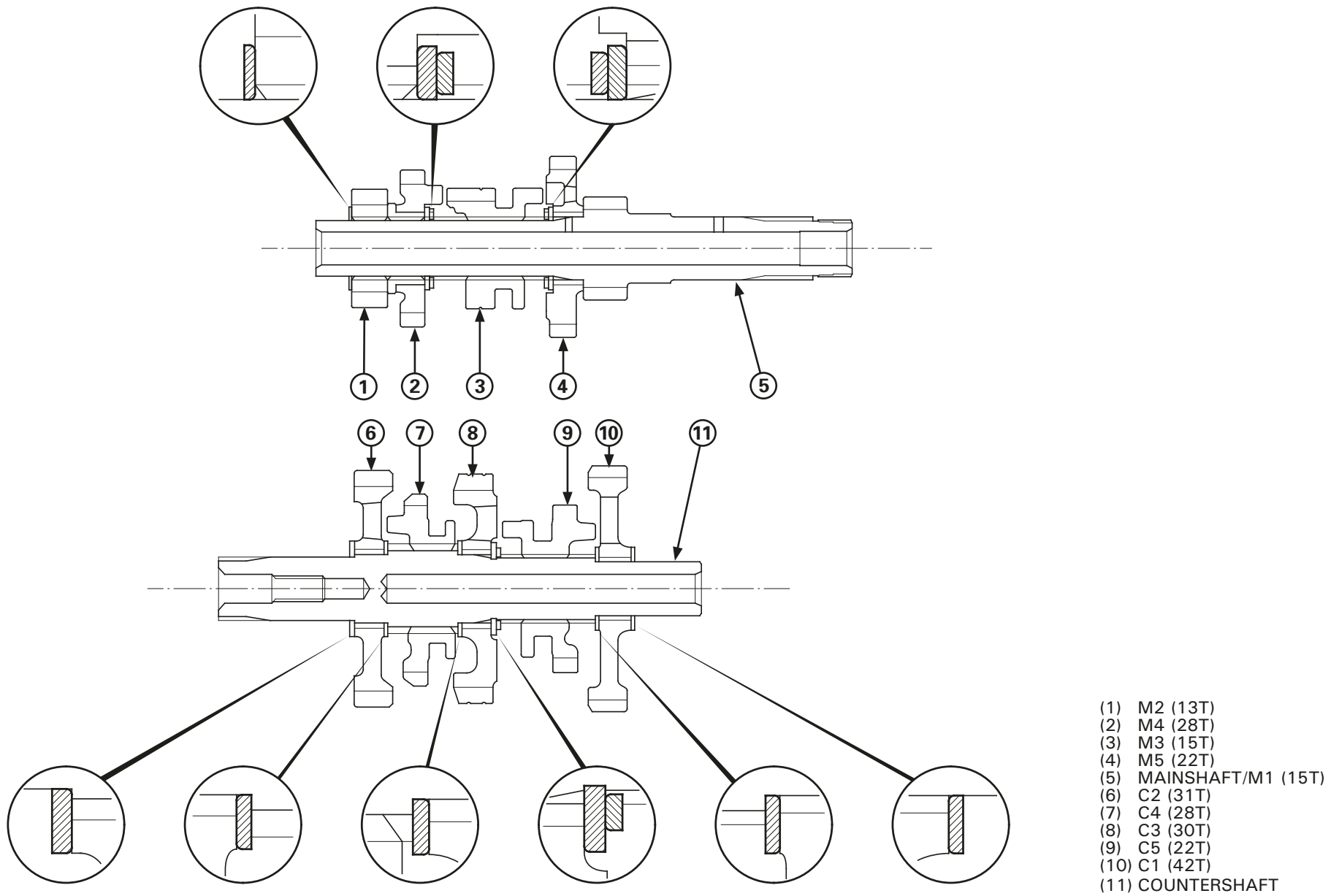
Crankcase Bearings/Oil Seals Location

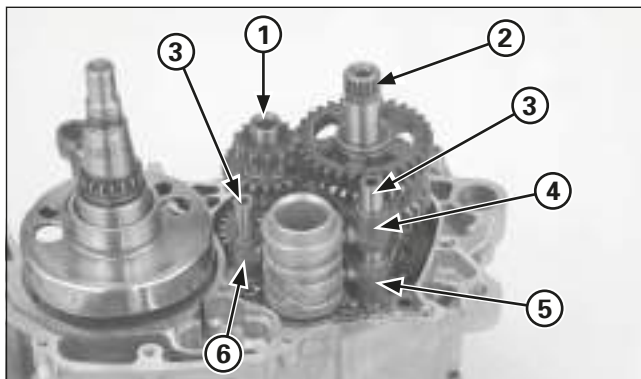


- (1) LEFT SHIFT DRUM BEARING
- (2) LEFT COUNTERSHAFT BEARING
- (3) LEFT COUNTERSHAFT OIL SEAL
- (4) LEFT MAINSHAFT BEARING
- (5) LEFT CRANKSHAFT OIL SEAL
- (6) LEFT CRANKSHAFT BEARING
- (7) RIGHT CRANKSHAFT BEARING
- (8) RIGHT CRANKSHAFT OIL SEAL
- (9) RIGHT MAINSHAFT BEARING
- (10) RIGHT COUNTERSHAFT BEARING
- (11) RIGHT SHIFT DRUM BEARING

- A: 1 mm
- B: 0 ± 0.5 mm
- C: 58.60 – 58.88 mm
- D: 58.30 – 58.52 mm
- E: 1 ± 0.5 mm
- F: 27.60 – 27.82 mm
- G: 28.50 – 28.72 mm
- H: 27.00 – 27.22 mm
- I: 27.00 – 27.22 mm
- J: 0 ± 0.5 mm

Transmission Assembly





- (1) MAINSHAFT
- (2) COUNTERSHAFT
- (3) SHIFT FORK SHAFTS
- (4) LEFT SHIFT FORK
- (5) RIGHT SHIFT FORK
- (6) CENTER SHIFT FORK

Crankcase Combination

Clean the crankcase mating surfaces before assembling and check for wear or damage.

If the minor roughness or irregularities on the crankcase mating surfaces, dress them with an oil stone.

Lubricate the crankshaft bearing with engine oil.

Lubricate the transmission bearings with transmission oil.

Install the crankshaft into the right crankcase.

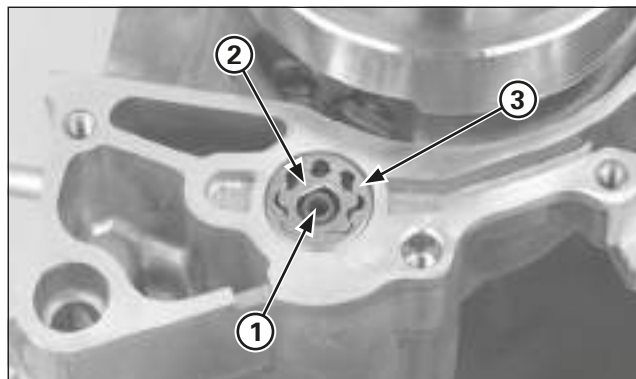
Install the mainshaft and countershaft as an assembly into the right crankcase.

Install the center shift fork with its identification mark facing in.

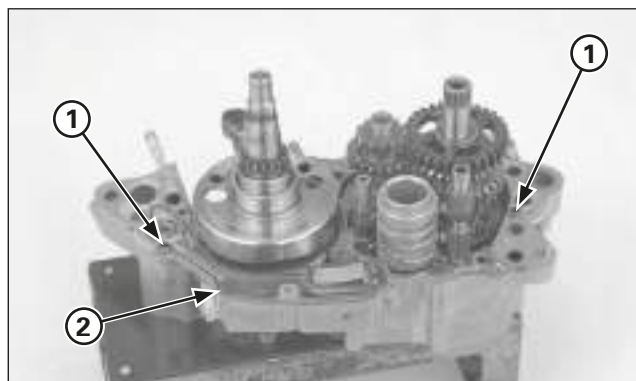
Install the right and left shift forks with their identification marks facing out.

Install the shift drum.

Install the shift forks.



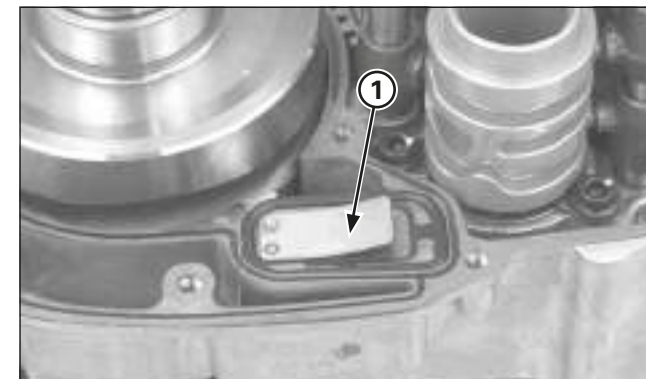
- (1) OIL PUMP SHAFT
- (2) INNER ROTOR
- (3) OUTER ROTOR



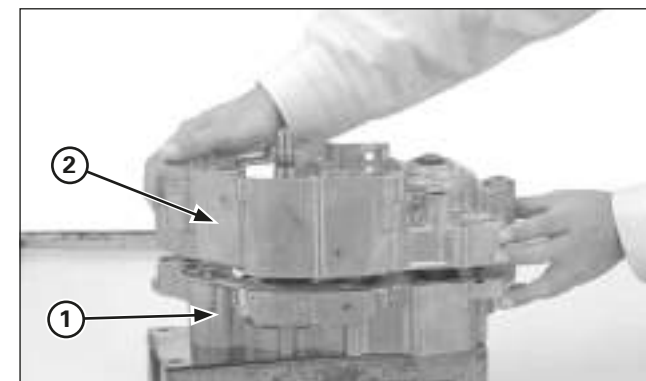
- (1) DOWEL PINS
- (2) NEW GASKET

Install the oil pump shaft, oil pump inner rotor and outer rotors.

Install the dowel pins and new gasket.



- (1) ONE-WAY REED VALVE

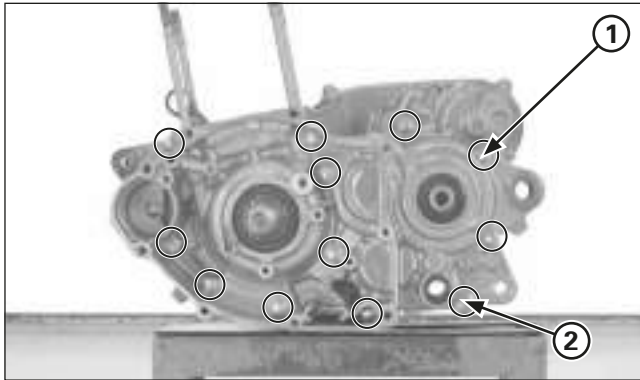


- (1) RIGHT CRANKCASE
- (2) LEFT CRANKCASE

Install the one-way reed valve into the right crankcase.

Place the left crankcase onto the right crankcase.

Engine servicing



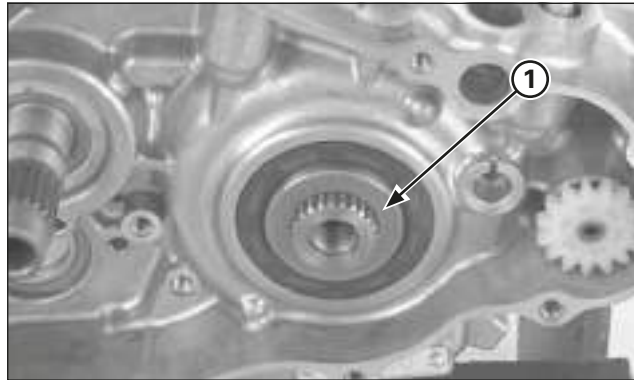
- (1) CRANKCASE BOLTS
- (2) NEW SEALING WASHER/OIL DRAIN BOLT

Install the crankcase bolts.

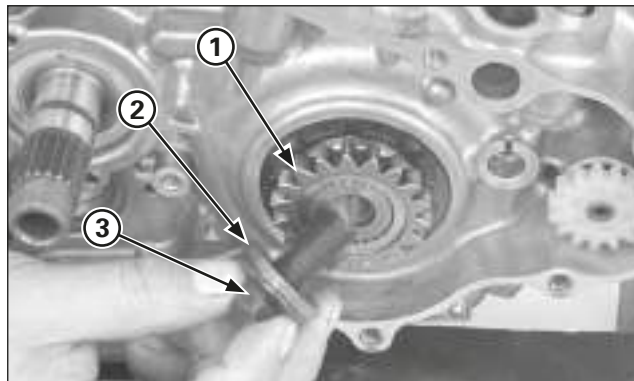
Tighten the crankcase bolts in a crisscross pattern in 2 – 3 steps.

Install the transmission oil drain bolt with a new sealing washer, and tighten it to the specified torque.

Torque: 22 N•m (2.2 kgf•m, 16 lbf•ft)



- (1) DRIVE GEAR COLLAR



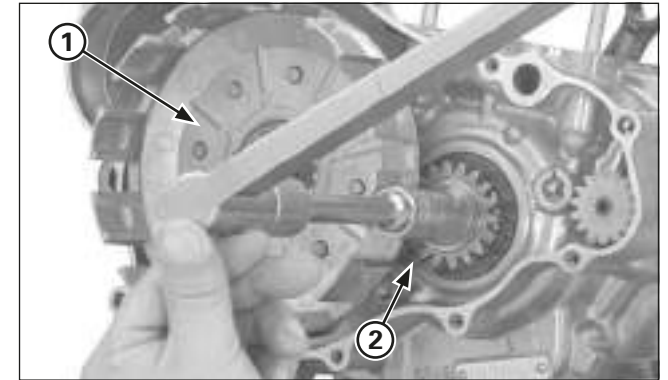
- (1) PRIMARY DRIVE GEAR
- (2) WASHER
- (3) SPECIAL BOLT

Install the primary drive gear collar onto the crankshaft.

Install the primary drive gear with its groove side facing out.

Apply oil to the primary drive gear special bolt threads and seating surface.

Install the washer and special bolt.



- (1) CLUTCH OUTER
- (2) GEAR HOLDER

Temporarily install the clutch outer guide, needle bearing and clutch outer onto the mainshaft and attach the gear holder between the primary drive and driven gears.

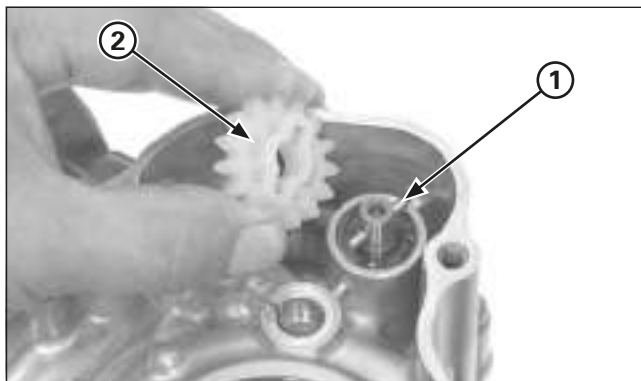
Tool:

Gear holder

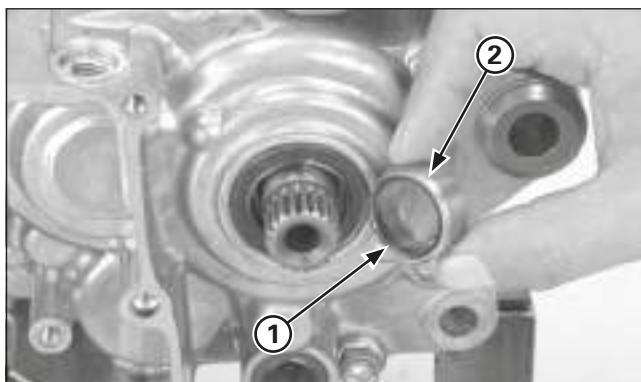
07724-0010100

Tighten the primary drive gear bolt to the specified torque.

Torque: 108 N•m (11.0 kgf•m, 80 lbf•ft)



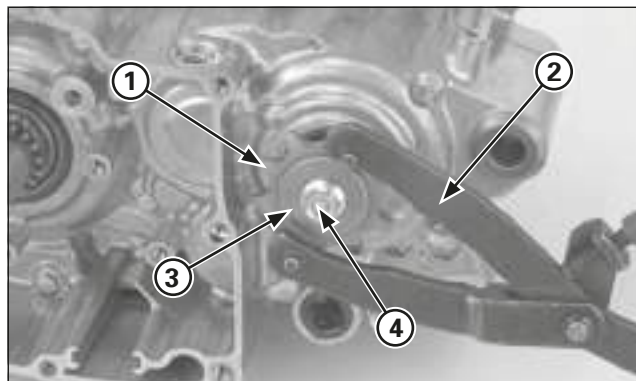
(1) DRIVE PIN
(2) OIL PUMP DRIVEN GEAR



(1) NEW O-RING
(2) COUNTERSHAFT COLLAR

Install the drive pin into the oil pump drive shaft hole.
Install the oil pump driven gear while aligning its groove with the drive pin.

Apply grease to the new O-ring and install it into the countershaft collar groove.
Install the countershaft collar.



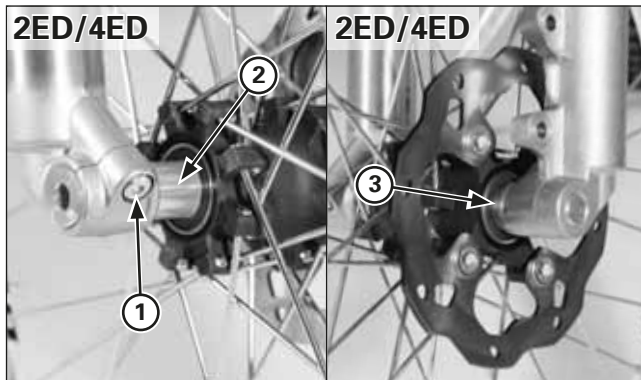
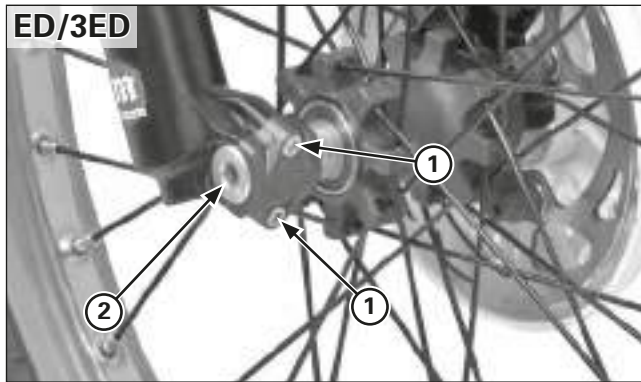
(1) DRIVE SPROCKET
(2) UNIVERSAL HOLDER
(3) SPRING WASHER
(4) BOLT

Install the drive sprocket.
Install the spring washer and drive sprocket bolt.
Hold the drive sprocket with universal holder, tighten the special bolt to the specified torque.

Torque: 31 N·m (3.2 kgf·m, 23 lbf·ft)

Install the removed parts in the reverse order of removal.

Memo



- (1) AXLE PINCH BOLT
- (2) AXLE
- (3) SIDE COLLAR (2ED/4ED)

Front Wheel

Removal

Remove the brake caliper mounting bolts, disc cover and collars.
Loosen the axle pinch bolt.

Support the motorcycle and front wheel off the ground.
Remove the axle, left side collar (2ED/4ED) and front wheel.

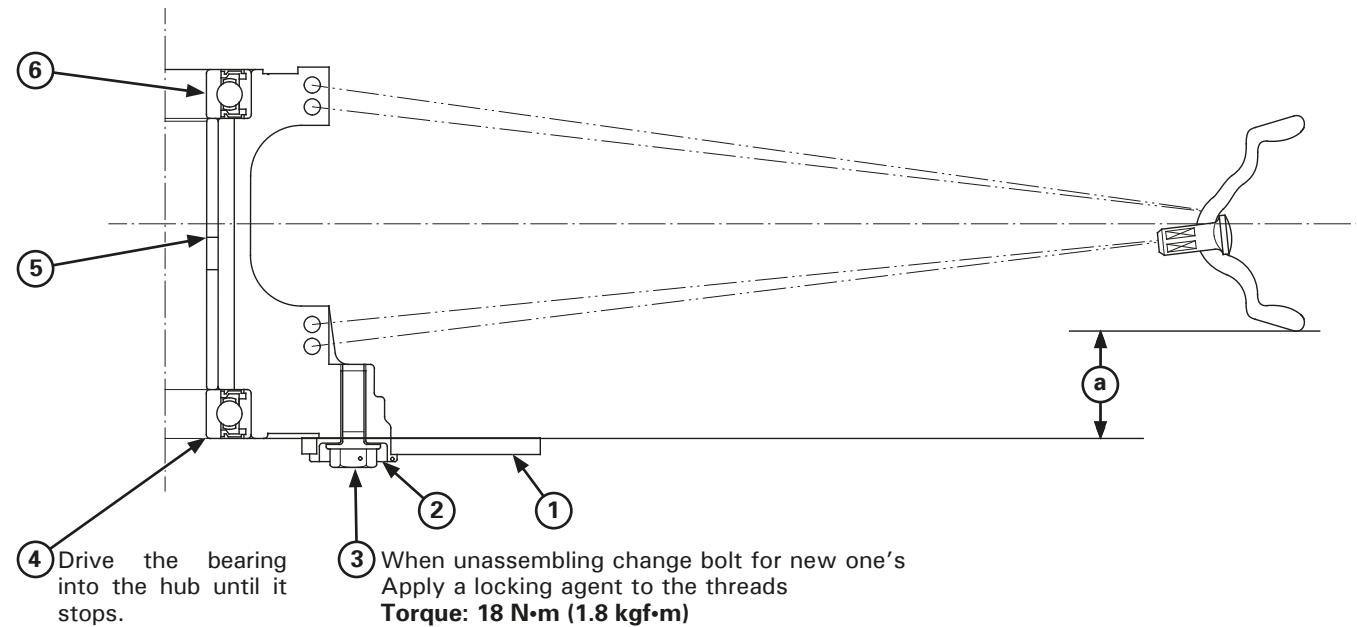
Do not depress the brake lever after the front wheel is removed.
The caliper pistons will move and make reassembly difficult.

Disassembly/Assembly

⚠ WARNING

A contaminated brake disc or pad reduces stopping power, and can cause a serious injury or death.

Discard contaminated pads and clean a contaminated disc with a high quality brake degreasing agent.



- (4) Drive the bearing into the hub until it stops.
- (3) When unassembling change bolt for new one's
Apply a locking agent to the threads
Torque: 18 N·m (1.8 kgf·m)

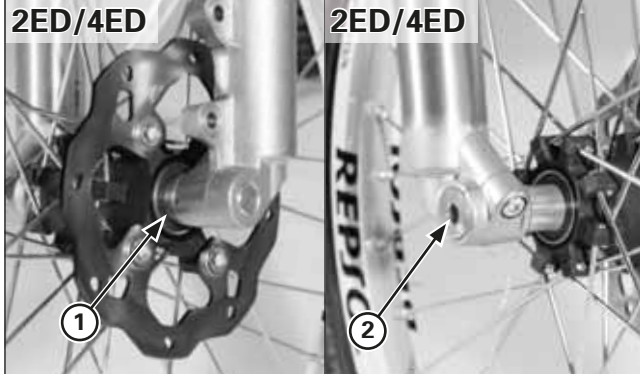
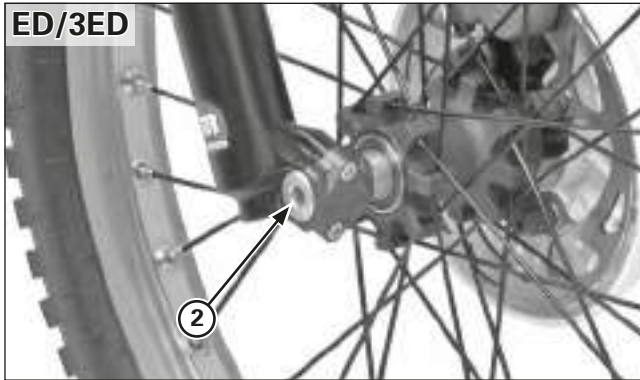
- (1) BRAKE DISC
- (2) COLLAR
- (3) DISC BOLT
- (4) LEFT WHEEL BEARING
- (5) DISTANCE COLLAR
- (6) RIGHT WHEEL BEARING

- (a) 25 ± 1 mm (ED/3ED)
- $27,25 \pm 1$ mm (2ED/4ED)

Spokes: Check spoke tension frequently between the first few rides. As the spokes, spoke nuts and rim contact points seat-in, the spokes may need to be retightened.

Once past this initial seating-in period, the spokes should hold their tension. Still, be sure your race maintenance program includes checking spoke tension and overall wheel condition on a regular basis.

Frame servicing



- (1) SIDE COLLAR (2ED/4ED)
(2) AXLE

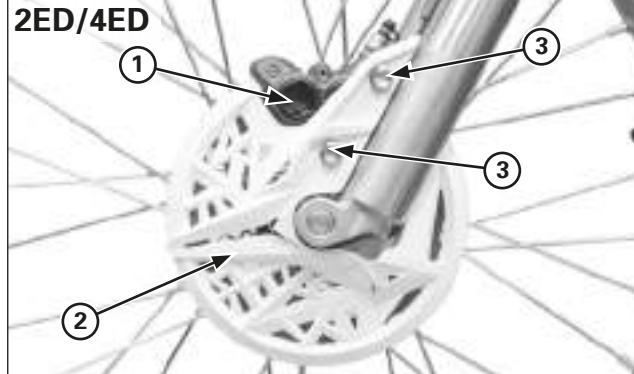
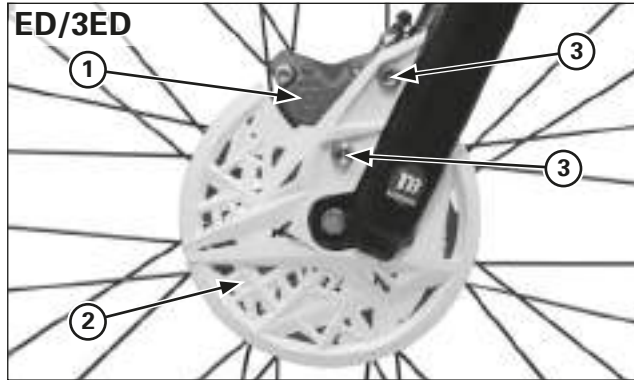
Installation

Clean the surfaces where the axle and axle clamps contact each other.
Place the front wheel between the fork legs.

Apply thin layer of grease to the axle surface.
Apply grease to the axle threads.
Install the axle from the right side through the wheel and left side collar (2ED/4ED).

Tighten the axle to the specified torque.

Torque: 69 N•m (7.0 kgf•m, 51 lbf•ft)

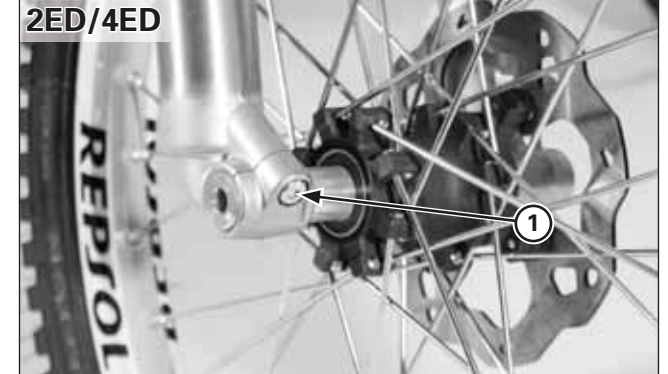
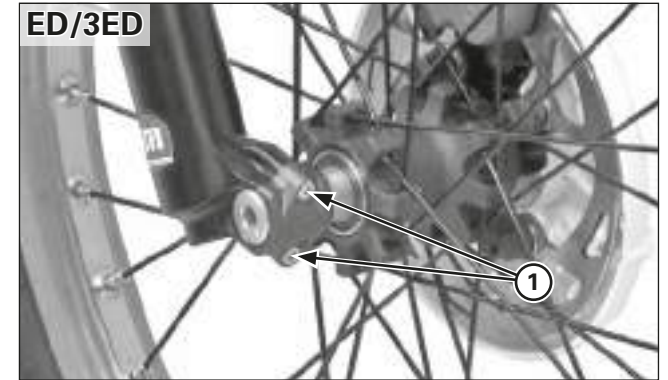


- (1) BRAKE CALIPER
(2) DISC COVER
(3) BOLTS

Install the brake caliper, flange collars and disc cover.
Apply a locking agent to the threads and tighten the mounting bolts to the specified torque.

Torque: 26 N•m (2.7 kgf•m, 20 lbf•ft)

With the front brake applied, pump the fork up and down several times to seat the axle and check the front brake operation.



- (1) AXLE PINCH BOLTS

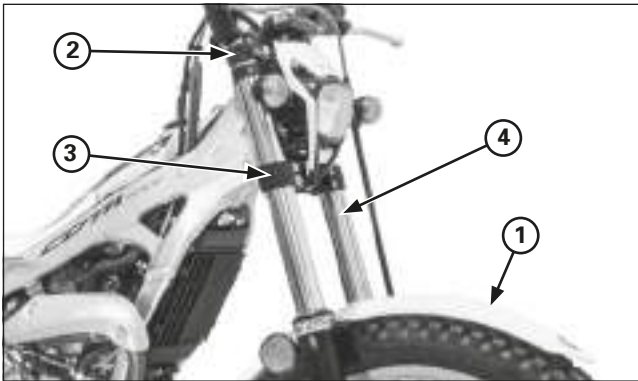
While keeping the fork parallel, tighten the axle pinch bolt to the specified torque.

Torque:

ED/3ED: 11 N•m (1,1 kgf•m, 8 lbf•ft)
2ED/4ED: 21 N•m (2,1 kgf•m, 17 lbf•ft)

NOTICE

Tighten the upper screw first until it contacts. Then tighten the lower screw (ED/3ED).



- (1) FRONT FENDER
- (2) TOP BRIDGE
- (3) BOTTOM BRIDGE
- (4) FORK LEG

Fork

Removal

Remove the front wheel (page 5-1).

Remove the front fender.

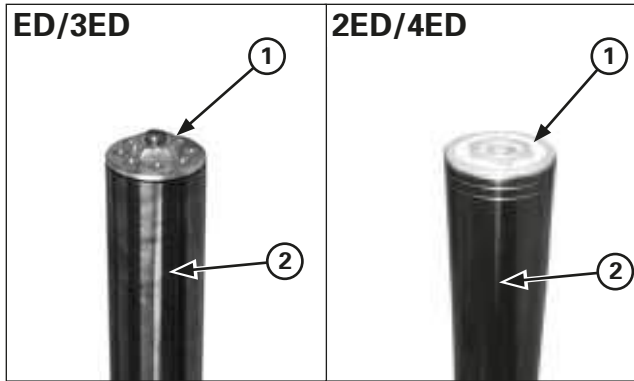
Loosen the top bridge pinch bolt.

If the forks are to be disassembled, loosen the fork bolt.

NOTICE

To avoid damaging the fork bolt threads, loosen the top bridge pinch bolt before loosening the fork bolts.

Loosen the bottom bridge pinch bolts, and pull the fork tube down and out.



- (1) FORK BOLT
- (2) FORK LEG

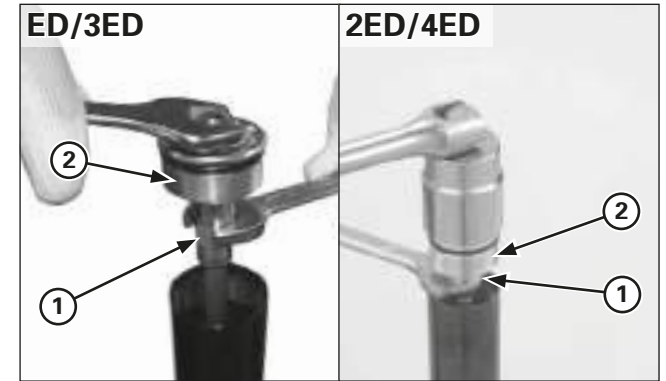
Right Fork Disassembly

Before disassembling the fork, clean the entire sliding surface and the bottom of the fork slider.

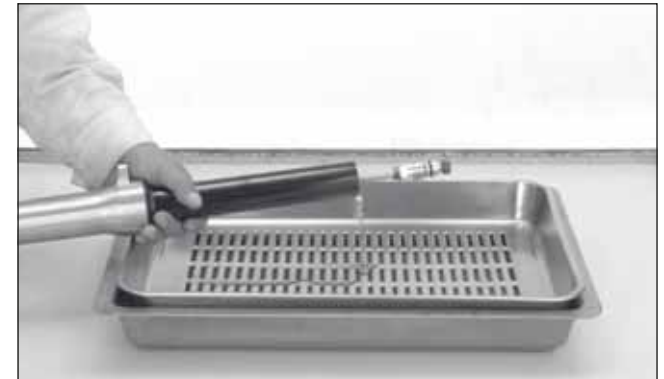
Be careful not to scratch the fork tube.

A scratched fork tube will damage the seal, causing an oil leak.

Hold the fork tube, remove the fork bolt and slide the fork tube down.



- (1) LOCK NUT
- (2) FORK BOLT



Make sure the damping adjuster is in clicked position and is not in between the position.

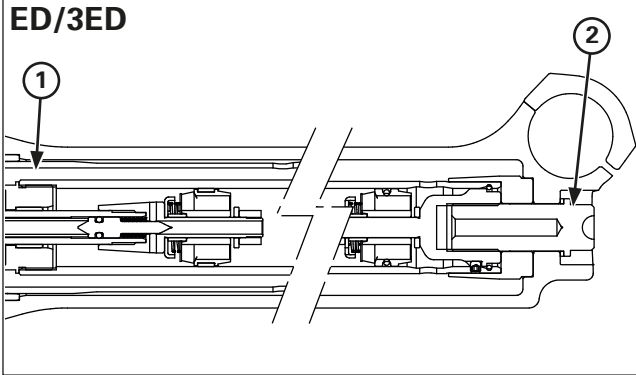
Hold the lock nut and remove the fork bolt from the damper rod.

Do not remove the lock nut from the damper rod.

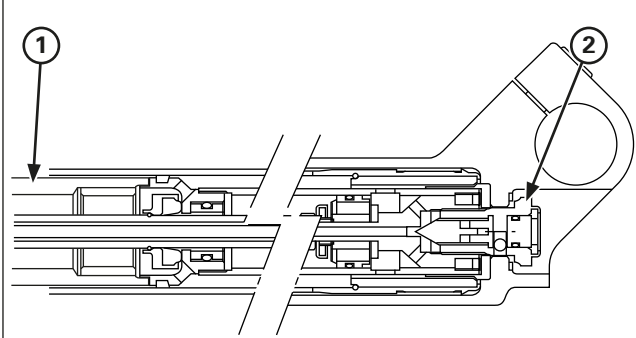
Pour out the fork fluid.

Frame servicing

ED/3ED



2ED/4ED



- (1) FORK DAMPER
- (2) RIGHT FORK CENTER BOLT

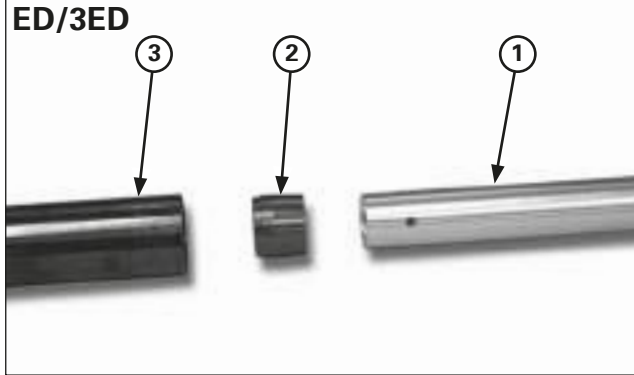
Hold the axle holder in a vise protected with a piece of woods or soft jaws to avoid damage.
Do not overtighten.

Hold the fork damper using the special tool (2ED/4ED), then loosen the right fork center bolt.

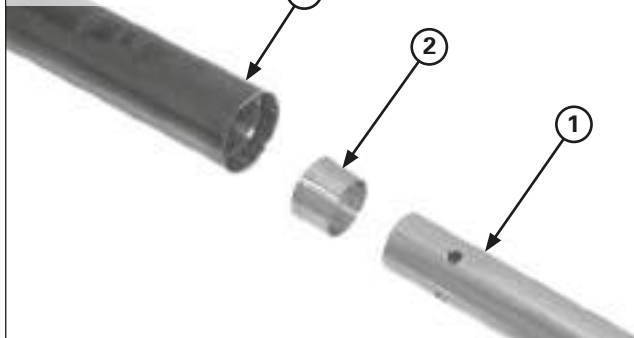
Remove the center bolt and sealing washer.

Tool:
Fork damper holder 89515-NN3-821

ED/3ED



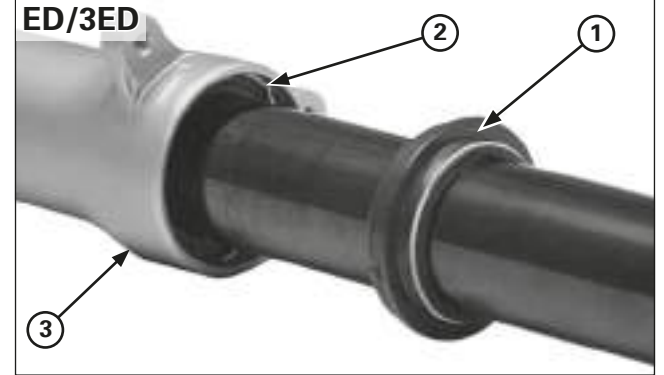
2ED/4ED



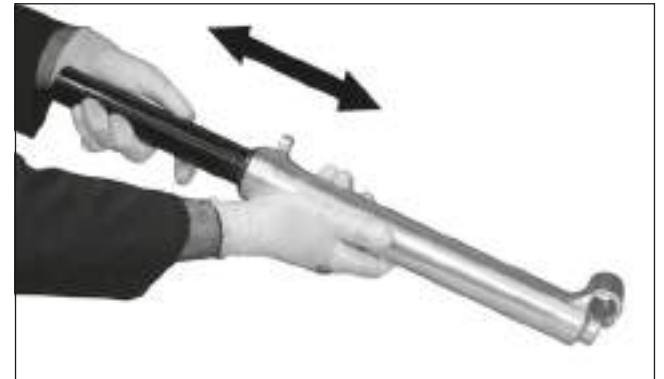
- (1) FORK DAMPER
- (2) CENTERING PLATE
- (3) FORK TUBE

Remove the fork damper assembly and centering plate from the fork tube.

ED/3ED

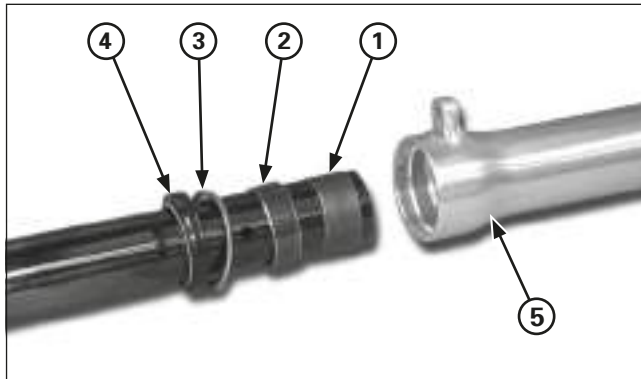


- (1) DUST SEAL
- (2) STOP RING
- (3) FORK SLIDER



Remove the dust seal and stop ring being careful not to scratch the fork tube.

In quick successive motions, pull the fork tube out of the slider.
Empty the fork fluid from the damper by pumping the damper rod 8 - 10 times.



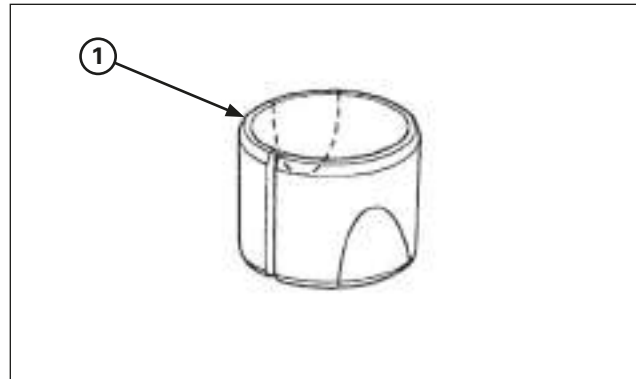
- (1) FORK TUBE BUSHING
- (2) GUIDE BUSHING
- (3) BACK-UP RING
- (4) OIL SEAL
- (5) FORK SLIDER

Check that the fork tube moves smoothly in the slider. If it does not, check the fork tube bending or damage, and the bushings for wear or damage. If the slider and bushing are normal, check the fork tube.

Carefully remove the fork tube bushing by prying the slot with a screwdriver until the bushing can be pulled off by hand.

Be careful not to scratch the teflon coating of the bushing.

Remove the guide bushing, back-up ring and oil seal from the fork tube.



- (1) BUSHING

Right Fork Inspection

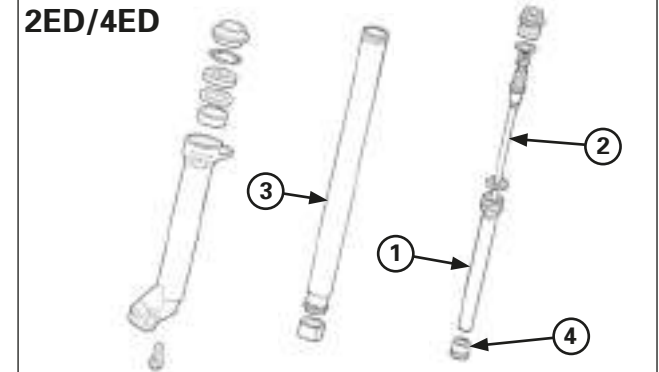
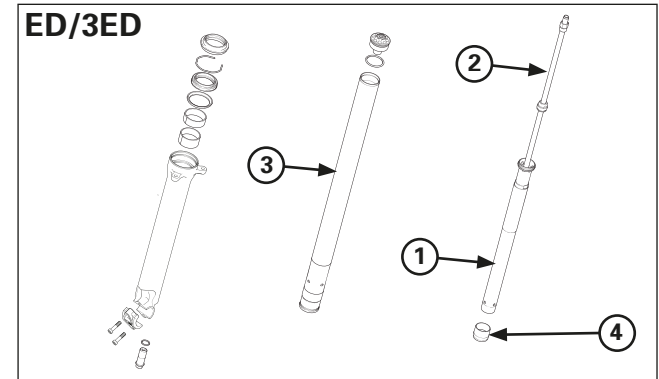
Check the following items (page 2-4):

- Fork tube for score marks, scratches and excessive wear
- Fork tube runout
- Fork slider for damage or deformation
- Fork damper for damage

Bushing/Back-up Ring

Check the bushings for excessive wear or scratches. Remove any metal powder from the slider and guide bushings with a nylon brush and fork fluid. If copper appears on the entire surface, replace the bushing.

Replace the back-up ring if there is any distortion at the points shown.



- (1) FORK DAMPER
- (2) DAMPER ROD
- (3) FORK TUBE
- (4) CENTERING PLATE

Fork Damper

Check the fork damper assembly for damage or deformation.

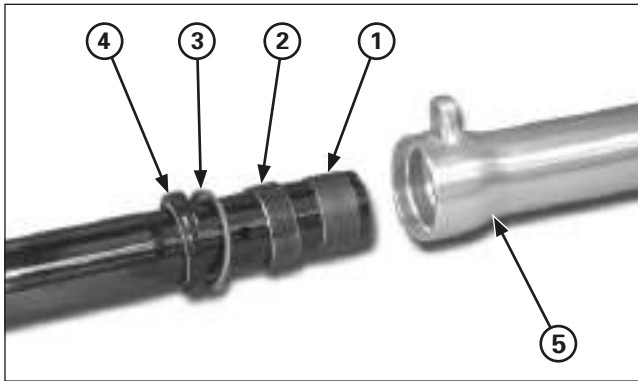
Check the damper rod for bend or other damage.

Fork tube/centering plate

Check the fork tube for bent or deformation.

Check the centering plate for damage.

Frame servicing



- (1) FORK TUBE BUSHING (4) OIL SEAL
 (2) GUIDE BUSHING (5) FORK SLIDER
 (3) BACK-UP RING

Right Fork Assembly

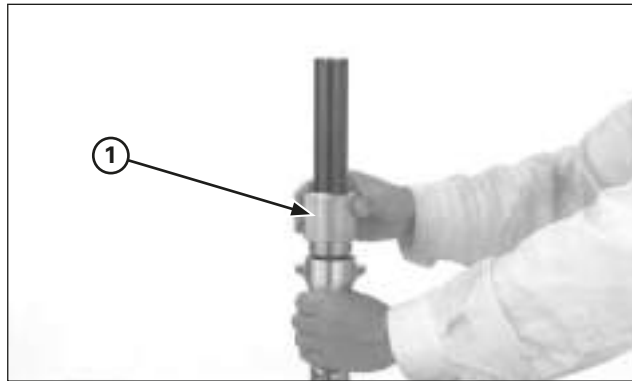
Clean the parts thoroughly with non-flammable or high flash point solvent before assembly.

Install the following to the fork tube:

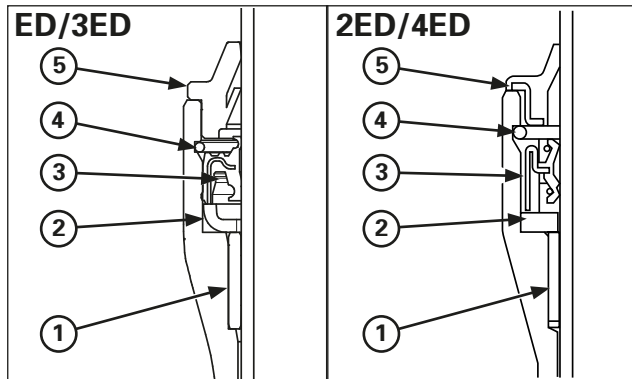
- Fork tube bushing
- Guide bushing
- Back-up ring

Coat the guide and fork tube bushings with recommended fork fluid.

Install the fork tube assembly into the fork slider.



- (1) FORK SEAL DRIVER



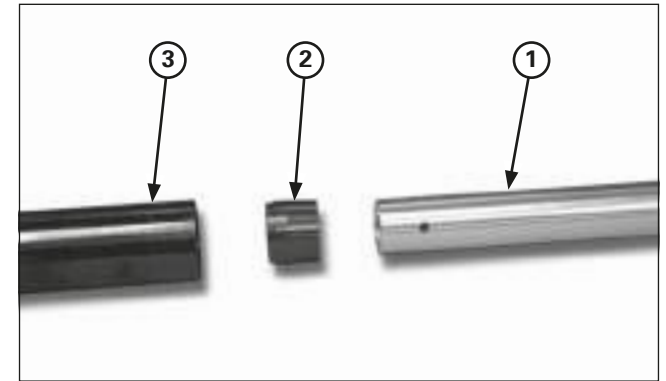
- (1) GUIDE BUSHING (4) STOP RING
 (2) BUCK-UP RING (5) DUST SEAL
 (3) OIL SEAL

Using the special tool, drive the guide bushing and backup ring until the stop ring groove is fully stuck in the fork slider base.

Install the oil seal (spring up) in the fork slider. Drive the oil seal using the special tool, performing a constant pressure until stops in back-up ring.

Tool:
Fork seal driver

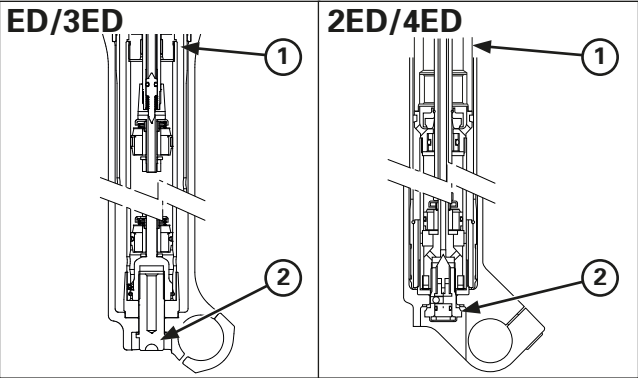
07947-4630100



- (1) FORK DAMPER ASSEMBLY
 (2) CENTERING PLATE
 (3) FORK TUBE

Install the stop ring into the slider groove securely.
 Install the dust seal.

Install the centering plate and fork damper into the fork tube.



(1) FORK DAMPER
(2) RIGHT FORK CENTER BOLT

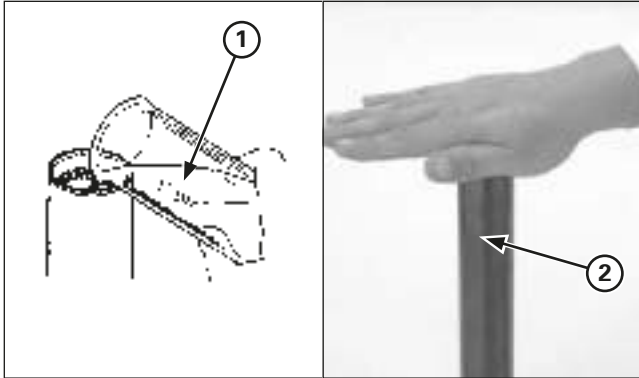
Hold the axle holder in a vise protected with a piece of woods or soft jaws to avoid damage. Do not overtighten the vise.

Install the right fork center bolt with a new sealing washer.

Hold the fork damper using the special tool (2ED/4ED), then tighten the right fork center bolt to the specified torque.

Tool:
Fork damper holder 89515-NN3-821

Torque:
ED/3ED: 23.5-25.5 N·m (2.4-2.6 kgf·m)
2ED/4ED: 34 N·m (3.5 kgf·m)



(1) FORK FLUID
(2) FORK TUBE

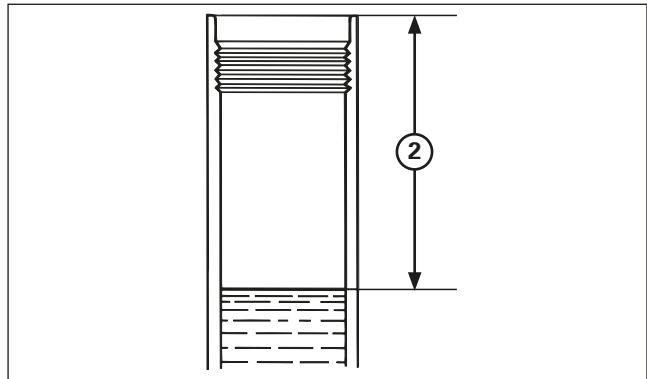
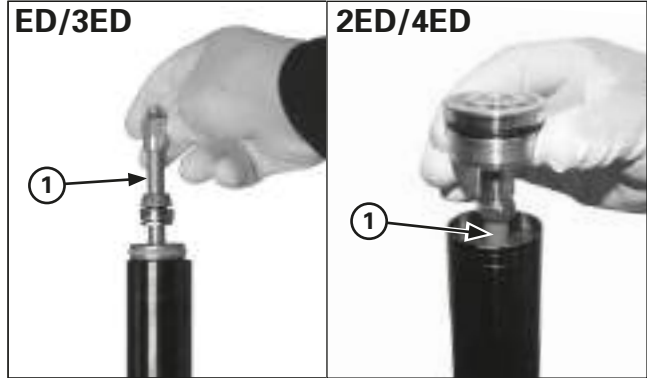
Pour recommended fork fluid in the fork leg.

Specified fork fluid:
ED/3ED: OJ Racing Special Fork Oil Type 01 (SAE 5W) or equivalent
2ED/4ED: Showa SS05 (SAE 5W) or equivalent

Bleed the air as follows:
1. Extend the fork without bringing to its maximum extension. Cover the top of the fork tube with your hand and compress the fork slowly several times.

NOTICE

Totally extended fork may cause oil leakage.



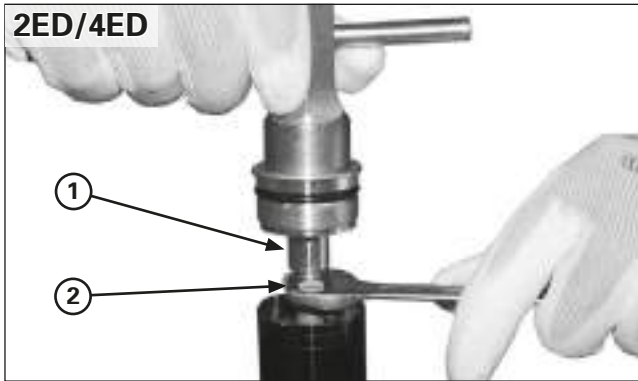
(1) FORK DAMPER ROD
(2) OIL LEVEL

2. Pump the damper rod 8 - 10 times.
3. Make sure no air in fork damper by slowly pull the damper rod up. If the resistance is felt at the top end, pump the damper rod again.

Wait 2 - 3 minutes before measuring the oil level. Measure the oil level from top of the fork tube, with the fork fully compressed.

	ED/3ED	2ED/4ED
Standard oil level	50 mm (1.9 in)	38 mm (1.5 in)
Oil capacity (orientative)	400 cm ³ (13.5 US oz) (14.1 Imp oz)	410 cm ³ (13.9 US oz) (14.4 Imp oz)

Frame servicing

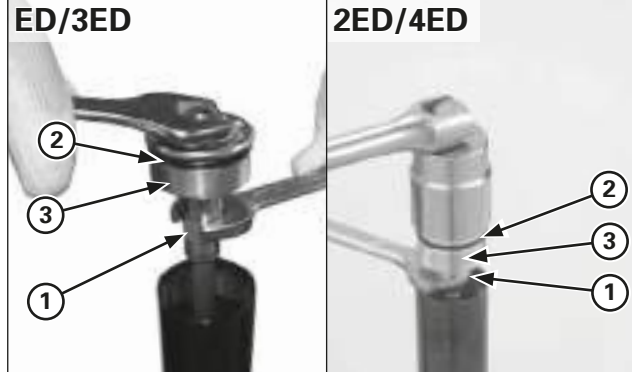
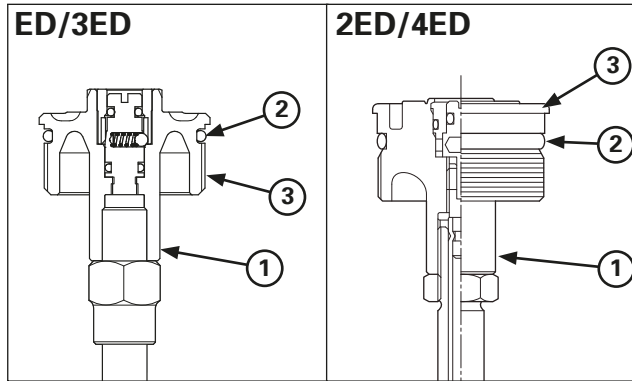


- (1) DAMPER ADJUSTER CASE
(2) LOCK NUT

If the damper adjuster case was removed from the damper rod, reinstall the damper adjuster case as follows:

1. Install the damper adjuster case/rod assembly into the damper rod pipe until the damper adjuster bottoms lightly.
2. Hold the damper adjuster case and tighten the lock nut to the specified torque. Do not turn the damper adjuster case.

Torque: 20 N·m (2.0 kgf·m, 14 lbf·ft)



- (1) DAMPER ADJUSTER CASE
(2) NEW O-RING
(3) FORK BOLT

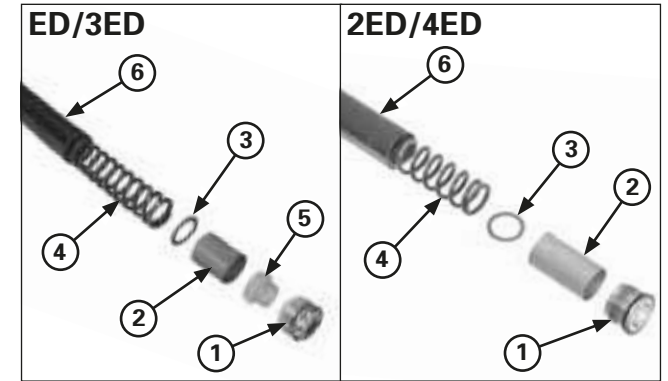
Install a new O-ring onto the fork bolt groove. Screw the fork bolt on the damper adjuster case until it seats.

Hold the damper adjuster case and tighten the fork cap bolt to the specified torque.

Torque: 15 N·m (1.5 kgf·m)

Apply recommended fork fluid to the O-ring, then screw the fork bolt into the fork tube.

**Torque: ED/3ED: 13 N·m (1.3 kgf·m)
2ED/4ED: 22 N·m (2.2 kgf·m)**



- (1) FORK BOLT
(2) DISTANCE COLLAR
(3) SPRING SEAT
(4) FORK SPRING
(5) TAPERED BUSHING (ED/3ED)
(6) FORK TUBE

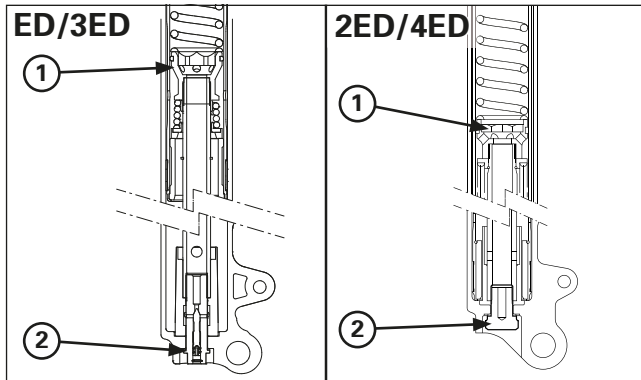
Left Fork Disassembly

Before disassembling the fork, clean the entire sliding surface and the bottom of the fork slider.

Be careful not to scratch the fork tube. A scratched fork tube will damage the seal, causing an oil leak.

The fork bolt under spring pressure. Before removing the fork bolt, turn the pre-load adjuster softest position. Remove the fork bolt from the fork tube.

Remove the tapered bushing (ED/3ED), the distance collar, spring seat and fork spring. Pour out the fork fluid.



- (1) CILINDER ASSY
(2) CENTER BOLT

Hold the axle holder in a vise protected with a piece of wood or soft jaws to avoid damage.
Do not overtighten.

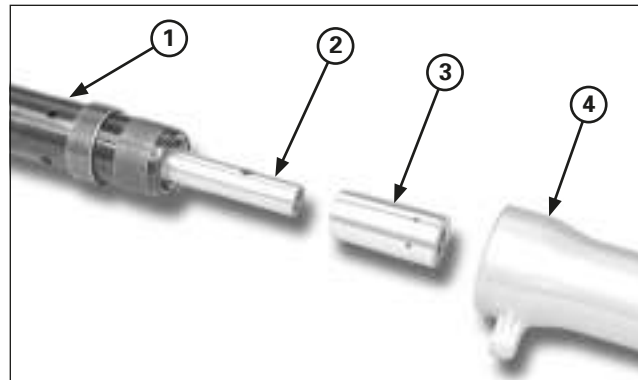
Hold the cilinder assy using the special tool and loosen the center bolt as shown.

Tool:
Fork damper holder 07930-KA50100

Remove the center bolt and sealing washer.

Remove the following items using the same procedure as the right fork disassembly (page 5-3):

- Dust seal
- Stop ring
- Fork tube, unlocking guide bushing on the fork leg.



- (1) FORK TUBE
(2) CILINDER ASSY
(3) TAPERED BUSHING
(4) FORK SLIDER

Remove the tapered bushing from the fork piston.

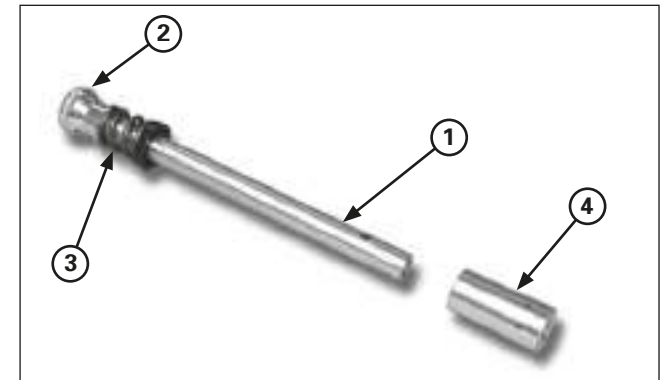
NOTICE

Be careful not to damage the tapered bushing.

Remove the cilinder assy from the fork tube.

Remove the following items using the same procedure as the right fork disassembly (page 5-3):

- Oil seal
- Back-up ring
- Guide bushing
- Fork tube bushing



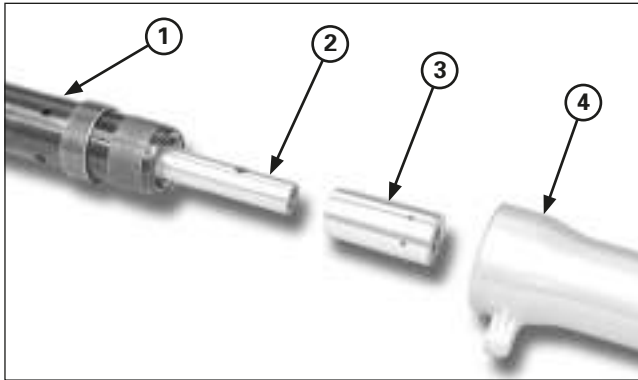
- (1) CILINDER ASSY
(2) PISTON RING
(3) REBOUND SPRING
(4) TAPERED BUSHING

Left Fork Inspection

Check the following items (specifications; page 2-1):

- Inside fork slider for damage or deformation
- Fork tube runout
- Fork spring free length
- Fork tube for score marks, scratches and excessive wear
- Bushing/back-up ring (page 5-5)
- Fork piston ring for wear or damage
- Tapared bushing for damage
- Rebound spring for fatigue or other damage

Frame servicing



- (1) FORK TUBE
- (2) CILINDER ASSY
- (3) TAPERED BUSHING
- (4) FORK SLIDER

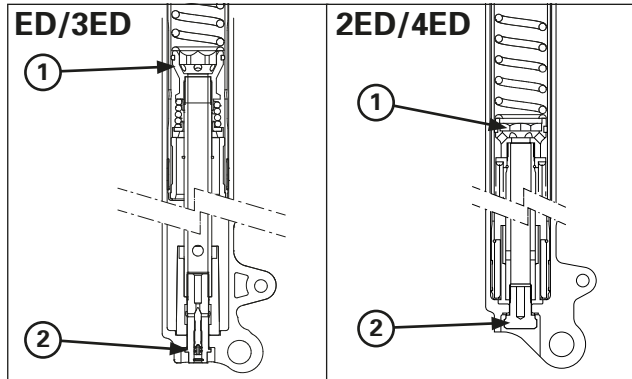
Left Fork Assembly

Clean the parts thoroughly with non-flammable or high flash point solvent before assembly.

Apply fork fluid to the piston ring.
Install the cilinder assy into the fork tube.
Install the tapered bushing on the end of the cilinder assy.

NOTICE

*The tapered bushing is easy to scratched or deformed.
Take care not to damage it when assembling it.*



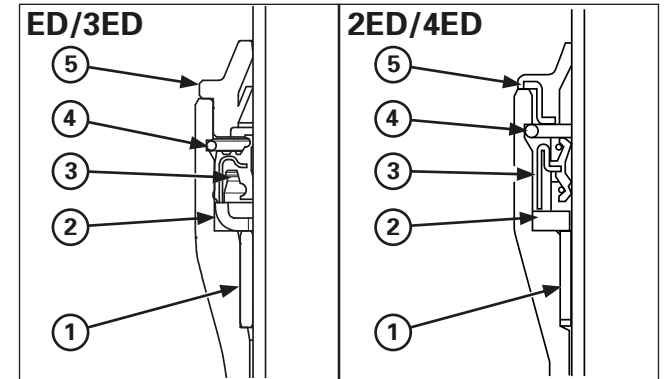
- (1) CILINDER ASSY
- (2) CENTER BOLT

Hold the axle holder in a vise protected with a piece of wood or soft jaws to avoid damage.
Do not overtighten the vise.

Clean and apply a locking agent to the center bolt threads (2ED/4ED).
Install the center bolt with a new sealing washer.
Hold the cylinder assembly using the special tool, then tighten the center bolt to the specified torque.

Tool:
Fork damper holder 07930-KA50100

Torque:
ED/3ED: 23.5-25.5 N·m (2.4-2.6 kgf·m)
2ED/4ED: 34 N·m (3.5 kgf·m)



- (1) GUIDE BUSHING
- (2) BACK-UP RING
- (3) OIL SEAL
- (4) STOP RING
- (5) DUST SEAL

Install the following parts onto the fork tube using the same procedure as the right fork (page 5-6):

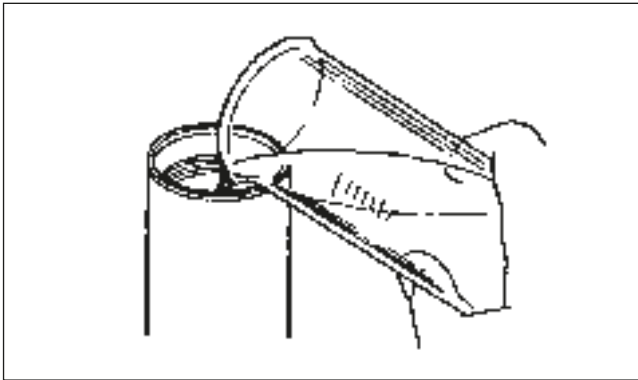
- Fork tube bushing
- Guide bushing
- Back-up ring

Using the special tool, drive the guide bushing and backup ring until the stop ring groove is fully stuck in the fork slider base.

Install the oil seal (spring up) in the fork slider. Drive the oil seal using the special tool, performing a constant pressure until stops in back-up ring.

Tool:
Fork seal driver 07947-4630100

Install the stop ring into the slider groove securely.
Install the dust seal.



Pour half the required amount of recommended fork fluid in the fork leg.

Specified fork fluid:

ED/3ED: OJ Racing Special Fork Oil Type 01 (SAE 5W) or equivalent

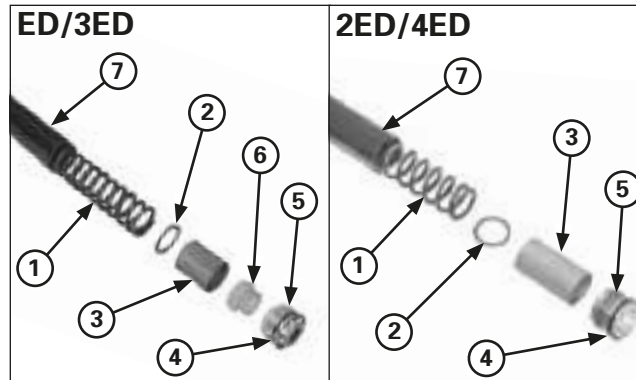
2ED/4ED: Showa SS05 (SAE 5W) or equivalent

Pump the fork tube slowly 8-10 times.
Pour additional fluid to the specified capacity.

	ED/3ED	2ED/4ED
Oil level	100 mm (3.9 in)	87 mm (3.9 in)
Oil capacity (orientative)	410 cc (13.9 US oz) (14.4 Imp oz)	405 cc (13.7 US oz) (14.3 Imp oz)

NOTICE

Totally extended fork may cause oil leakage.

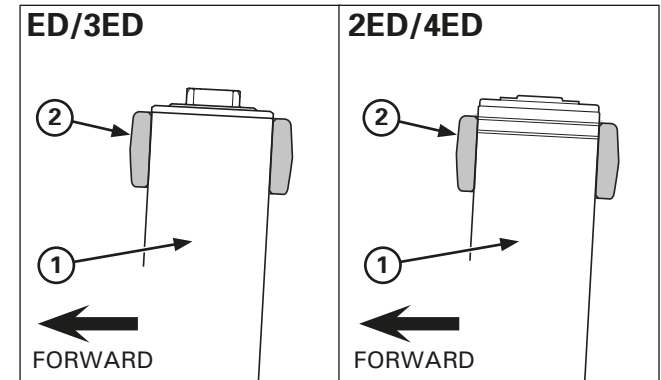


- (1) FORK SPRING
- (2) SPRING SEAT
- (3) DISTANCE COLLAR
- (4) O-RING
- (5) FORK BOLT
- (6) TAPERED BUSHING (ED/3ED)
- (7) FORK TUBE

Install the fork spring, spring seat, distance collar and the tapered bushing (ED/3ED).

Apply recommended fork fluid to the new O-ring, then screw the fork bolt into the fork tube.

Torque:
ED/3ED: 13.0 N•m (1.3 kgf•m)
2ED/4ED: 20.0 N•m (2.0 kgf•m)



- (1) FORK TUBE
- (2) TOP BRIDGE

Installation

Install the fork leg.
Raise the fork through the bottom bridge and top bridge.

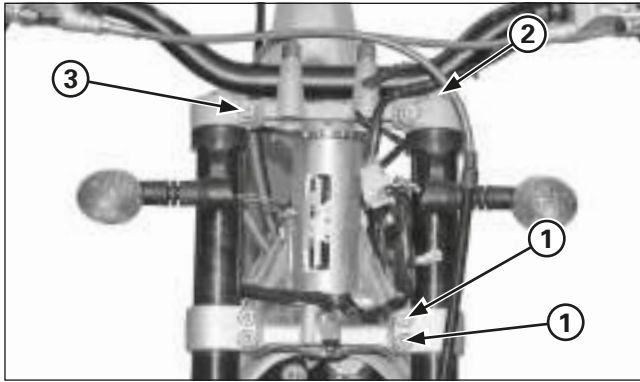
Tech (ED/3ED)

Place the fork tubes in the top clamp level as shown in the picture.

Showa (2ED/4ED)

Place the fork tubes in the top clamp. The fork tubes should be in the first slot related top clamp.

Frame servicing



- (1) BOTTOM BRIDGE PINCH BOLTS
- (2) FORK BOLT
- (3) TOP BRIDGE PINCH BOLTS

Tighten the bottom bridge pinch bolts to the specified torque.

Torque: 21 N·m (2.1 kgf·m, 14 lbf·ft)

Overtightening the pinch bolts can deform the outer tube. Deformed outer tube must be replaced.

Tighten the fork bolt.

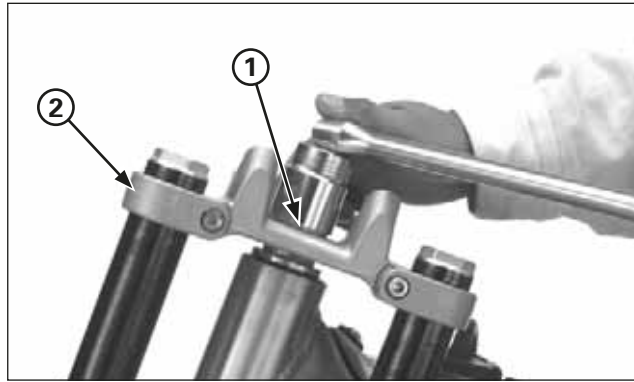
Tighten the top bridge pinch bolt to the specified torque.

Torque: 21 N·m (2.1 kgf·m, 14 lbf·ft)

Return spring pre-load and rebound adjuster to their original positions as noted during removal.

Install the following:

- Front fender
- Front wheel (page 5-2)



- (1) STEM NUT
- (2) TOP BRIDGE

Steering stem

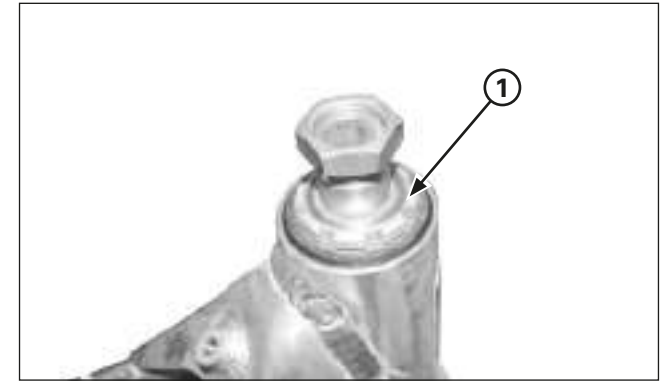
Disassembly

Remove the following:

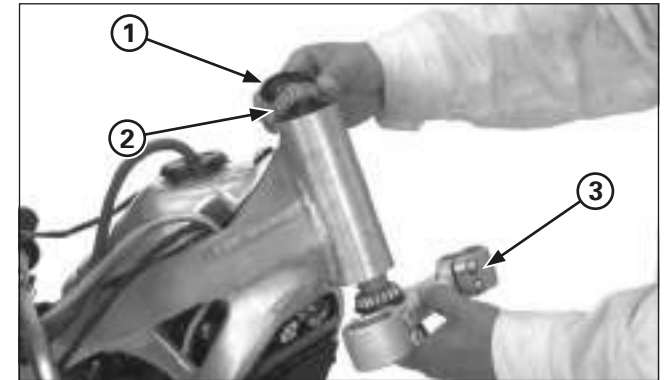
- Handlebar
- Front wheel (page 5-1)
- Front fender

Remove the steering stem nut and washer.

Remove the fork legs (page 5-3).
Remove the top bridge.



- (1) ADJUSTING NUT

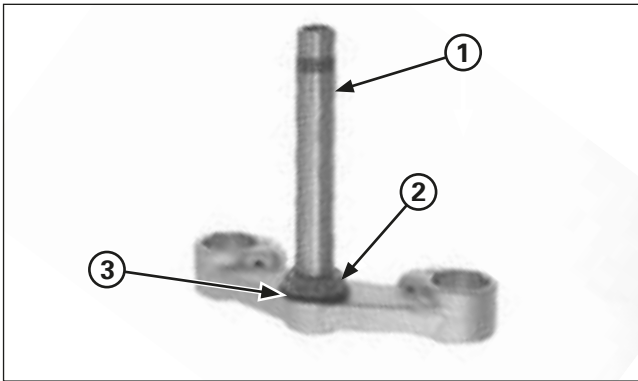


- (1) DUST SEAL
- (2) UPPER BEARING
- (3) STEERING STEM

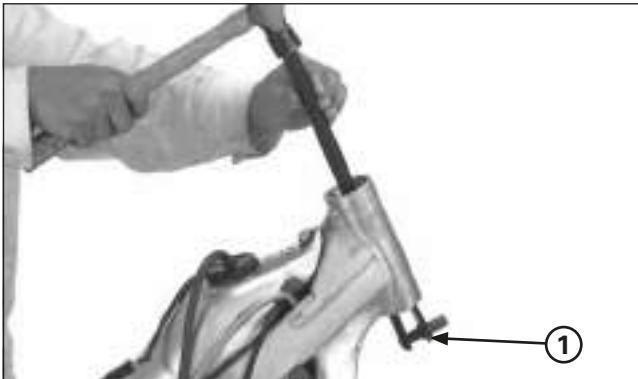
Remove the stem bearing adjusting nut.

Remove the following;

- Dust seal
- Upper bearing
- Steering stem/lower bearing



- (1) STEM
- (2) LOWER BEARING
- (3) DUST SEAL

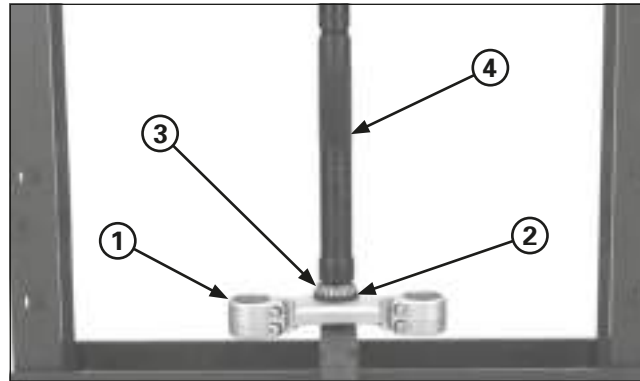


- (1) BALL RACE REMOVER

Remove the lower bearing and dust seal from the steering stem.

Remove the upper and lower bearing races from the steering head using the special tools.

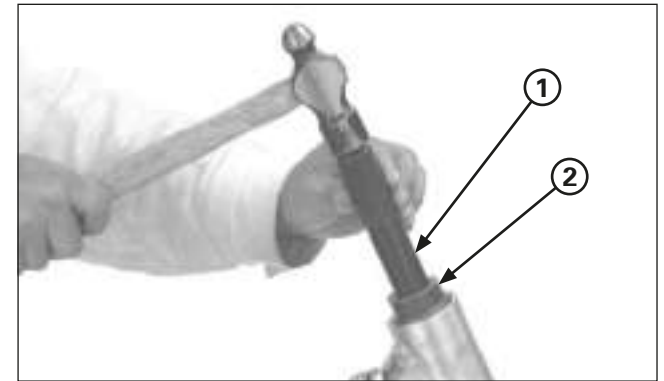
Tool:
Ball race remover **07948-4630100**



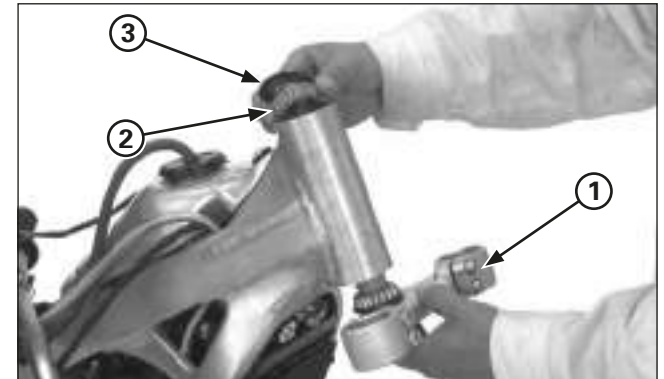
- (1) STEM
- (2) DUST SEAL
- (3) BEARING
- (4) STEERING STEM DRIVER

Install new dust seal onto the steering stem.
 Install the new lower bearing into the steering stem using a hydraulic press and driver.

Tool:
Steering stem driver (Generic tool)



- (1) DRIVER
- (2) ATTACHMENT



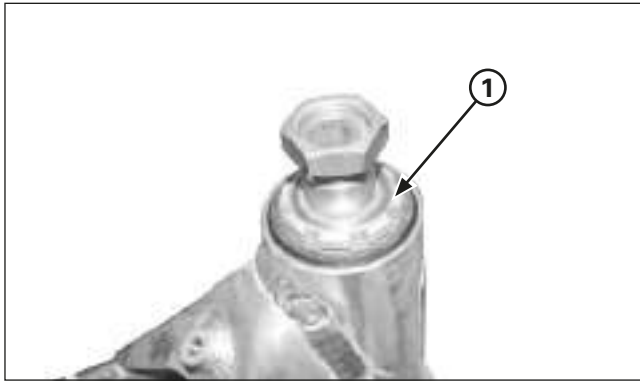
- (1) STEM
- (2) UPPER BEARING
- (3) DUST SEAL

Install new bearing races.

Tools:
Driver **07749-0010000**
Attachment, 42 x 47 mm **07746-0010300**

Pack the upper and lower bearings with grease.
 Install the steering stem, upper bearing and dust seal.

Frame servicing



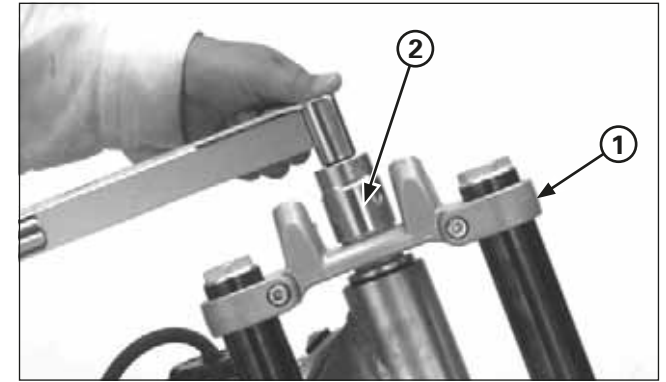
(1) ADJUSTING NUT

Screw the stem bearing adjusting nut all the way with your fingers.



Turn the steering stem lock-to-lock 5 times to seat the bearings and retighten the adjusting nut to the specified torque.

Torque: 5 N·m (0.5 kg-m, 3.7 lbf·ft)



(1) TOP BRIDGE

(2) STEM NUT

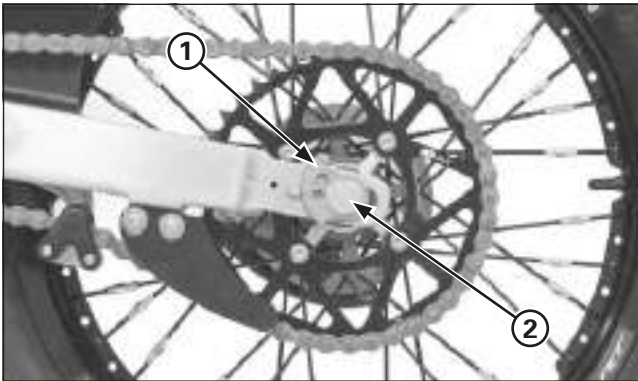
Apply grease to the stem nut thread and seating surfaces. Install the top bridge, washer and stem nut. Temporarily install both fork legs. Apply grease to the top bridge pinch bolt threads and seating surfaces. Install and tighten the top bridge pinch bolts to the specified torque.

Torque: 21 N·m (2.1 kg-m, 15.4 lbf·ft)

Tighten the stem nut to the specified torque.

Torque: 99 N·m (10 kg-m, 65 lbf·ft)

Recheck the steering stem adjustment before installing the removed parts.



(1) ADJUSTER
(2) AXLE

Rear Wheel

Removal

Raise the rear wheel off the ground and support it with a block or maintenance stand under the engine.

Remove the following:

- Axle nut and drive chain adjuster
- Drive chain
- Axle, drive chain adjuster and rear wheel

Do not depress the brake pedal after the rear wheel is removed.

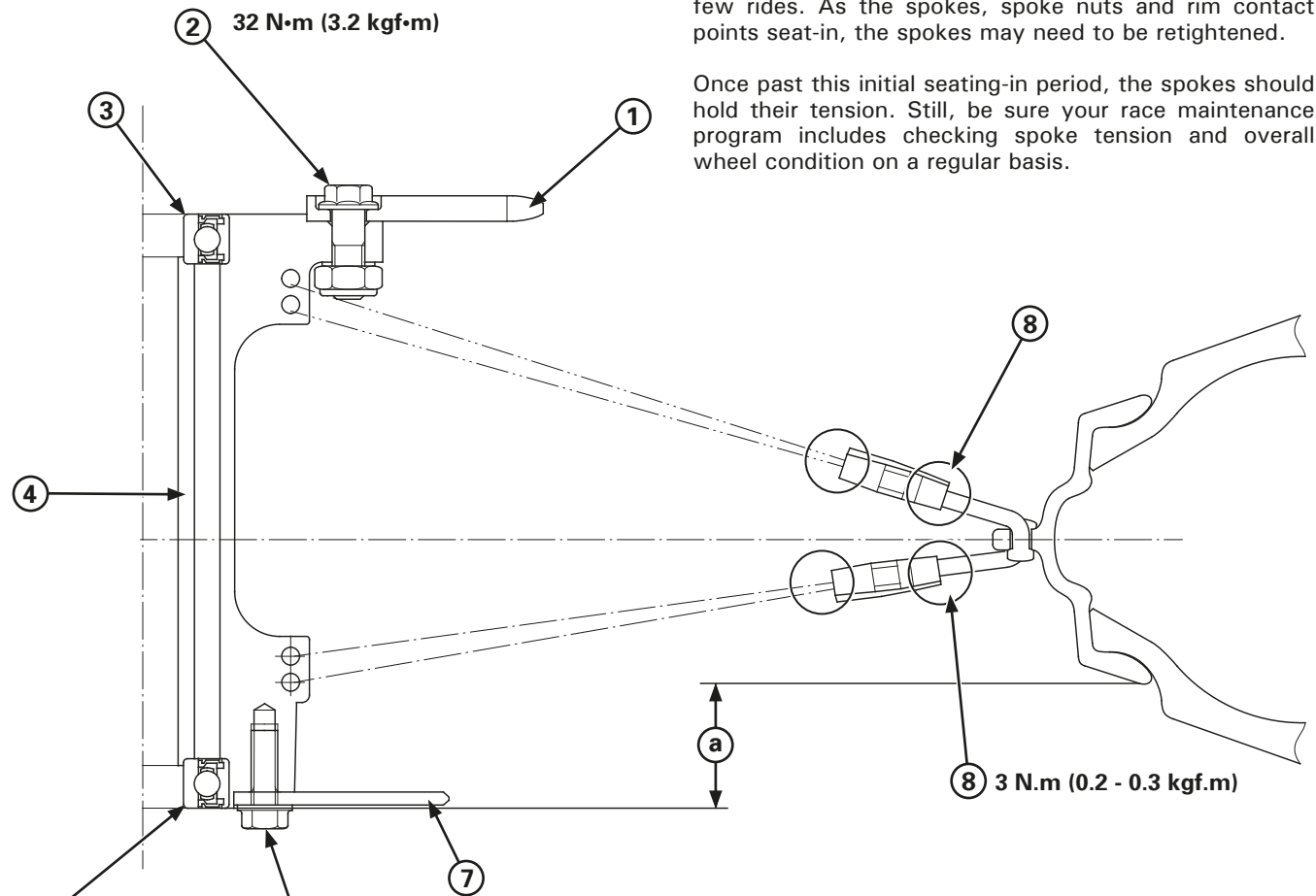
The caliper pistons will move and make reassembly difficult.

Disassembly/Assembly

WARNING

A contaminated brake disc or pad reduces stopping power, and can cause a serious injury or death.

Discard contaminated pads and clean a contaminated disc with a high quality brake degreasing agent.



Spokes: Check spoke tension frequently between the first few rides. As the spokes, spoke nuts and rim contact points seat-in, the spokes may need to be retightened.

Once past this initial seating-in period, the spokes should hold their tension. Still, be sure your race maintenance program includes checking spoke tension and overall wheel condition on a regular basis.

(5) Drive the bearing into the hub until it stops.

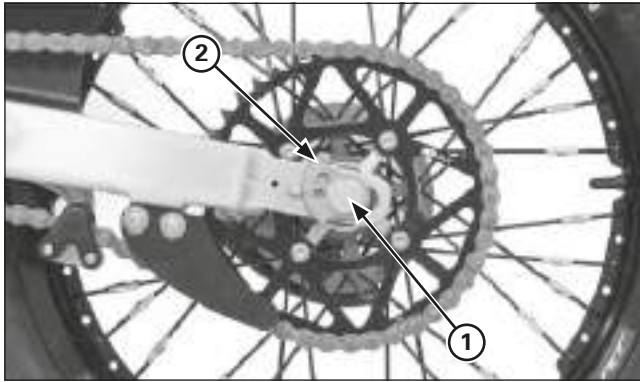
(6) When unassembling change bolt for new one's. Apply a locking agent to the threads

Torque: 17 N·m (1.7 kgf·m)

- (1) DRIVEN SPROCKET
- (2) DRIVEN SPROCKET BOLT/NUT
- (3) LEFT WHEEL BEARING
- (4) DISTANCE COLLAR
- (5) RIGHT WHEEL BEARING
- (6) DISC BOLT
- (7) BRAKE DISC
- (8) REAR WHEEL NIPPLE

(a) 30 ± 0.5 mm

Frame servicing



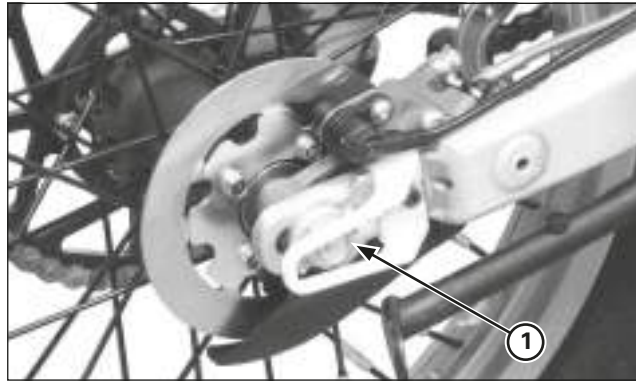
(1) AXLE
(2) ADJUSTERS

Installation

Install the rear brake caliper aligning with the caliper slide rail.

Apply thin layer of grease to the axle.

Place the rear wheel between the swingarm being careful not to damage the disc.
Insert the rear axle into the left chain adjuster, side collar and wheel.



(1) AXLE NUT

Apply grease to the axle nut threads and seating surface.
Install the right chain adjuster and axle nut.

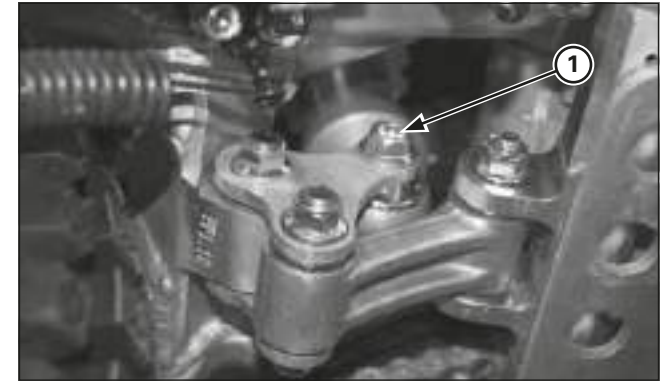
Install the drive chain.

If the master link retaining clip was removed, install the drive chain with the closed end of the clip in the direction of wheel rotation.

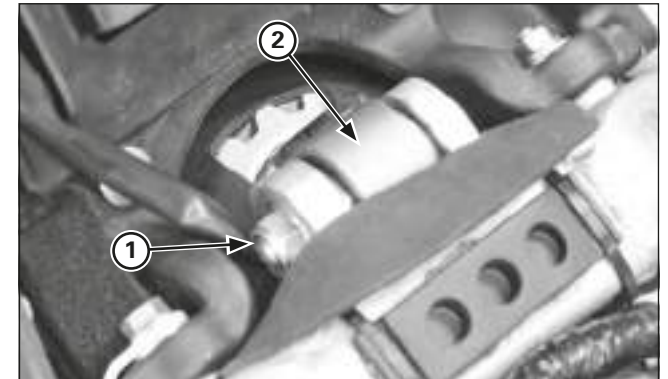
Check and adjust the drive chain slack (page 3-11).

Tighten the axle nut.

Torque: 69 N•m (7.0 kgf•m, 51 lbf•ft)



(1) LOWER MOUNTING BOLT/NUT



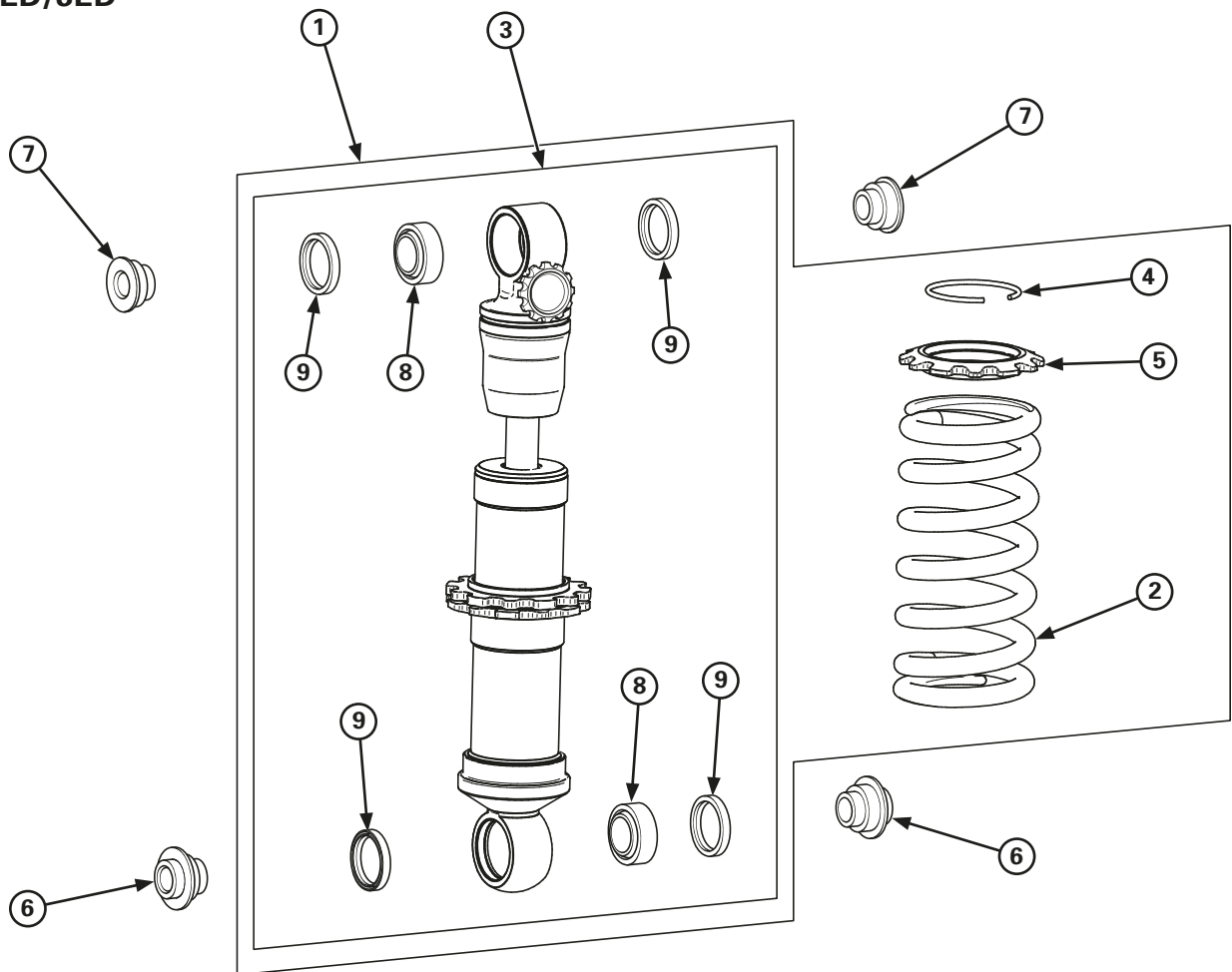
(1) UPPER MOUNTING BOLT/NUT
(2) SHOCK ABSORBER

Shock Absorber

Removal

Remove the air cleaner housing.
Raise the rear wheel off the ground and support it with a block or maintenance stand under the engine.
Remove the shock absorber lower mounting bolt/nut.
Remove the upper mounting bolt/nut and shock absorber.

ED/3ED



- (1) DAMPER UNIT
- (2) SPRING
- (3) DAMPER
- (4) SPRING PLATE SEEGER CLIP
- (5) SPRING FASTENER PLATE

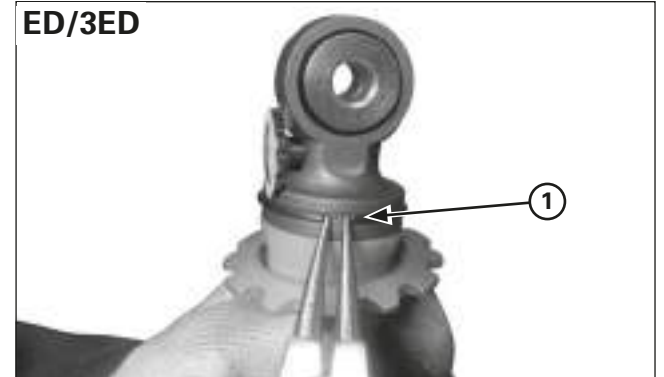
- (6) LOWER DISTANCER
- (7) UPPER DISTANCER
- (8) BALL JOINT
- (9) SEAL

ED/3ED



(1) SPANNER WRENCH

ED/3ED



(1) SEEGER

Removal (ED/3ED)

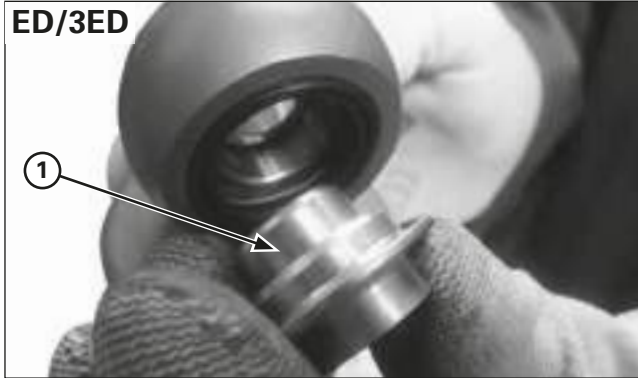
Secure the damper in a bench vise

Loosen the lock nut and the spring adjuster using the spanner wrench (07702-0020001).

Move the spring up next to the fastener plate.

Remove the Seeger fastener ring and remove the spring plate and the spring from the damper body.

Frame servicing



(1) DISTANCE COLLAR

Remove the distance collar.

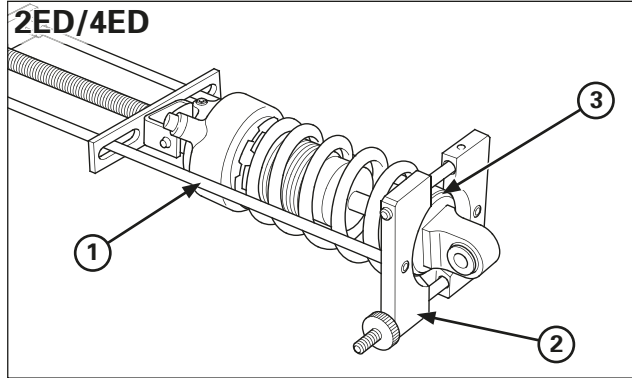
Remove the stopper ring, spring seat and spring.

Inspection

Check the following items (specification; page 2-5):

- Upper and lower spherical bearing for wear or damage
- Spring for damage and measure the free length
- Damper for oil leakage from the damper rod

Replace the damper unit if an oil leak is detected.



- (1) SPRING COMPRESSOR
(2) ATTACHMENT
(3) SPRING SEAT STOPPER

Disassembly 2ED/4ED

Loosen the spring lock nut and adjuster.

Remove the lower mounting collars.

Set the shock absorber in the shock absorber compressor and attachment.

Tools:

Shock absorber compressor 07GME-0010100

- Compressor attachment 07959-MB10000

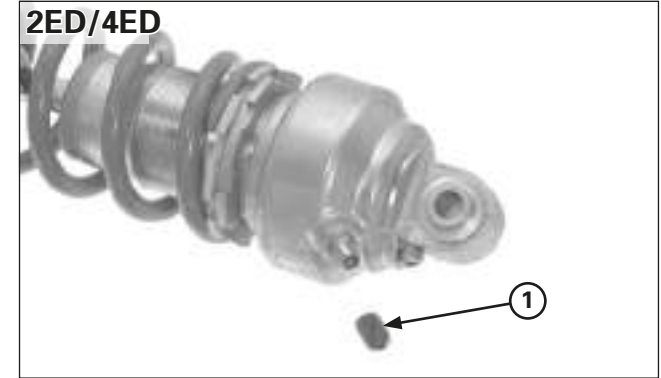
Remove the stopper ring, spring seat and spring.

Inspection

Check the following items (specification; page 2-5):

- Upper and lower spherical bearing for wear or damage
- Spring for damage and measure the free length
- Damper for oil leakage from the damper rod
- Nitrogen pressure (2ED/4ED)

Replace the damper unit if an oil leak is detected.



(1) VALVE CAP

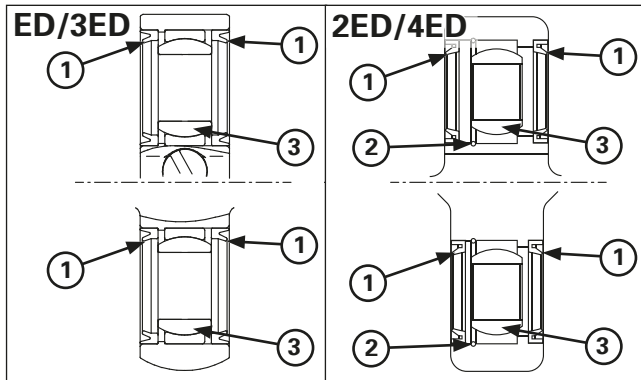
Nitrogen Releasing Procedure (2ED/4ED)

Remove the air valve cap and press the valve stem and release the nitrogen from the damper until pressure is released.

Before disposal of the shock absorber, release the nitrogen from the damper.

Wear adequate eye protection.

Point the valve away from you to prevent debris getting into your eyes.



- (1) DUST SEALS
- (2) STOP RING (2ED/4ED)
- (3) SPHERICAL BEARING

Spherical Bearing Replacement

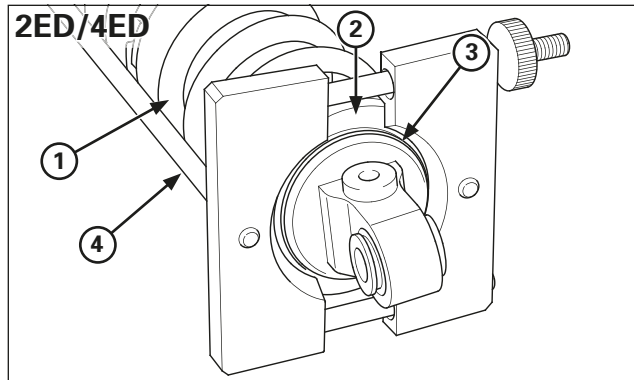
Remove the collars and dust seals.
Check the spherical bearing for smooth rotation or damage.

Remove the stop ring (2ED/4ED)
Press the spherical bearing out using the special tool.

Tool:
Spherical bearing driver 07HMF-KS60100

Press a new spherical bearing into the shock absorber pivot until its seats using same tool.
Install the new stop ring into the groove (2ED/4ED).

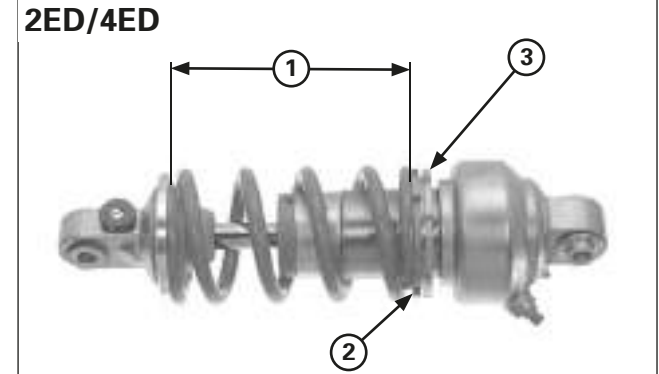
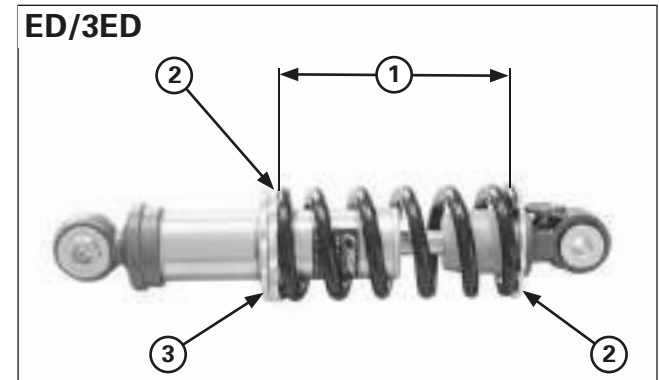
Apply grease to the dust seal lips.
Install the dust seals and collars.



- (1) SPRING
- (2) SPRING SEAT
- (3) STOPPER RING
- (4) COMPRESSOR

Assembly

Assembly is in the reverse order of disassembly.

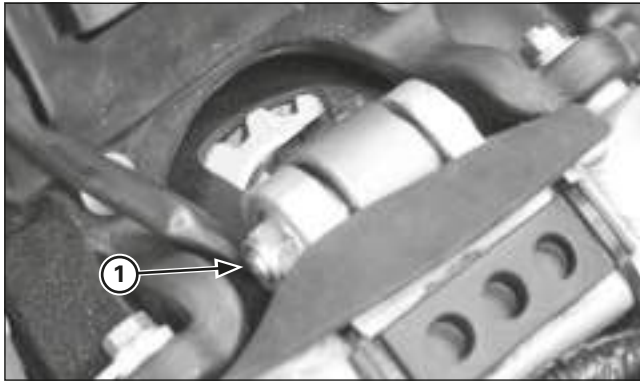


- (1) PRE-LOAD LENGTH
- (2) ADJUSTER
- (3) LOCK NUT

Adjust the spring pre-load length (page 2-5).
Hold the spring adjuster and tighten the lock nut to the specified torque.

Torque:
(2ED/4ED): 49 N·m (5.0 kgf·m, 36 lbf·ft)
(ED/3ED): Tightening angle 50°±10 after contact between nuts

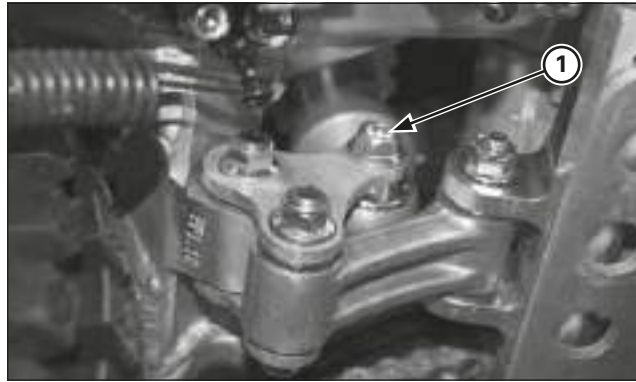
Frame servicing



(1) UPPER MOUNTING BOLT/NUT

Installation

Set the shock absorber into the frame and install the upper mounting bolt from the left side.
Install the nut.



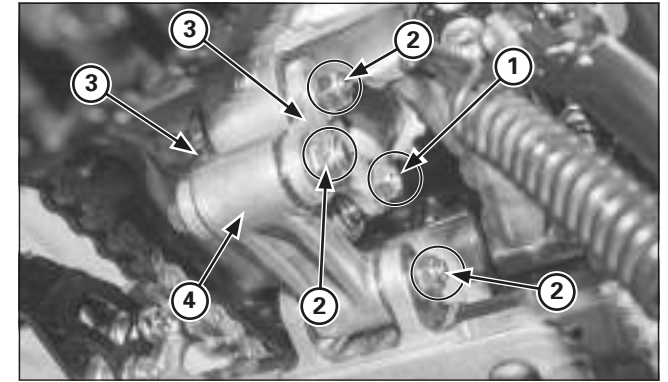
(1) LOWER MOUNTING BOLT/NUT

Move the swingarm aligning the lower mount, then install the lower mounting bolt from the right side.

Install and tighten the upper and lower mounting nuts to the specified torque.

Torque:

Upper mounting bolt: 39 N·m (4.0 kgf·m, 29 lbf·ft)
Lower mounting bolt: 39 N·m (4.0 kgf·m, 29 lbf·ft)



(1) LOWER MOUNTING BOLT/NUT
(2) BOLTS/NUTS
(3) CUSHION ARM PLATES
(4) CUSHION LINK

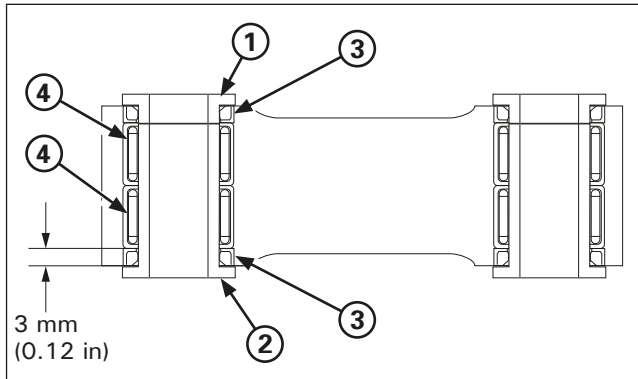
Shock Linkage

Removal

Raise the rear wheel off the ground with a block or maintenance stand under the engine.

Remove the following:

- Rear cushion lower mounting bolt/nut
- Cushion arm plate-to-cushion link bolt/nut
- Cushion arm plates-to-swingarm bolt/nut
- Cushion arm plates
- Cushion link-to-frame socket bolt/nut
- Cushion link



- (1) PIVOT COLLAR A
- (2) PIVOT COLLAR B
- (3) DUST SEALS
- (4) NEEDLE BEARINGS

Needle Bearing Replacement

Remove the pivot collars and dust seals.
Check the cushion link needle bearings for damage.

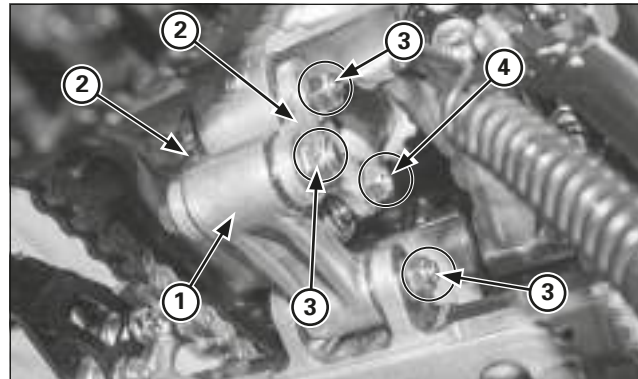
Remove the cushion link needle bearings using the special tool.

Tool:
Bearing driver **07946-MJ00000**

Press new needle bearings into the cushion link to 3 mm (0.12 in) below the surface of the cushion link using the special tool, on both sides.
Face the bearing with its marked side facing out.

Tool:
Bearing driver **07946-MJ00000**

Apply multi-purpose grease to the collars and dust seal lips.
Install the dust seals and pivot collars.



- (1) CUSHION LINK
- (2) CUSHION ARM PLATES
- (3) BOLTS/NUTS
- (4) LOWER MOUNTING BOLT/NUT

Installation

Install the following:

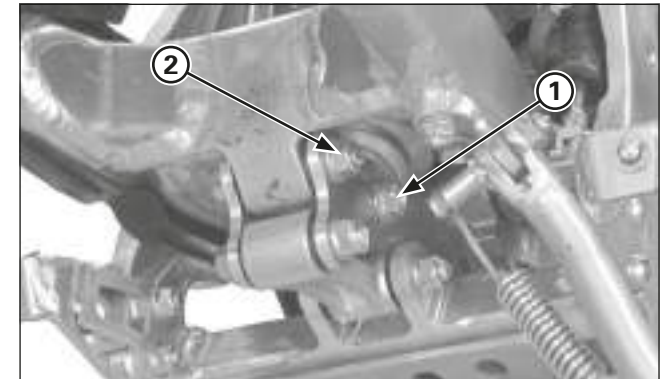
- Cushion link
- Cushion link-to-frame socket bolt/nut
- Cushion arm plates
- Cushion arm plates-to-swingarm bolt/nut
- Cushion arm plate-to-cushion link bolt/nut
- Rear cushion lower mounting bolt/nut

Tighten the cushion arm plate and cushion link nuts to the specified torque.

Torque: 39 N•m (4.0 kgf•m, 29 lbf•ft)

Tighten the rear cushion lower mounting nut to the specified torque.

Torque: 39 N•m (4.0 kgf•m, 29 lbf•ft)



- (1) SHOCK ABSORBER LOWER MOUNTING BOLT/NUT
- (2) SHOCK ARM PLATES-TO-SWINGARM BOLT/NUT

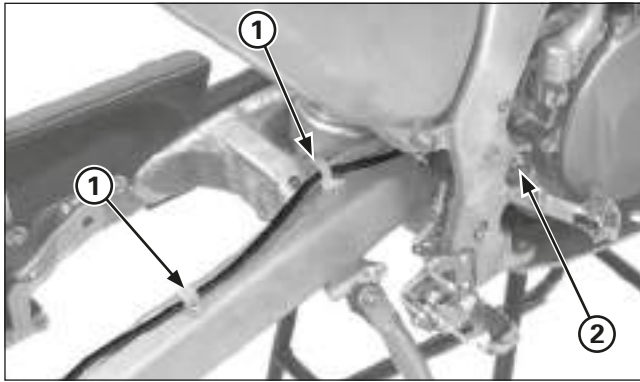
Swingarm

Removal

Remove the following:

- Rear wheel (page 5-15)
- Shock absorber lower mounting bolt/nut
- Cushion arm plates-to-swingarm bolt/nut

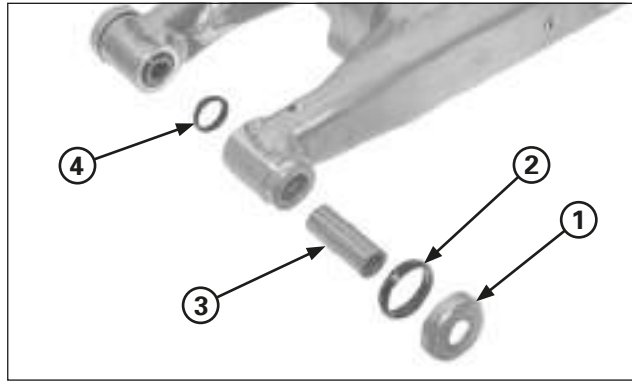
Frame servicing



- (1) BRAKE HOSE CLAMPS
- (2) SWINGARM PIVOT BOLT/NUT

Remove the following:

- Brake hose clamps screws
- Rear brake caliper
- Swingarm pivot bolt/nut and swingarm assembly



- (1) DUST SEAL CAP
- (2) DUST SEAL
- (3) PIVOT COLLAR
- (4) DUST SEAL

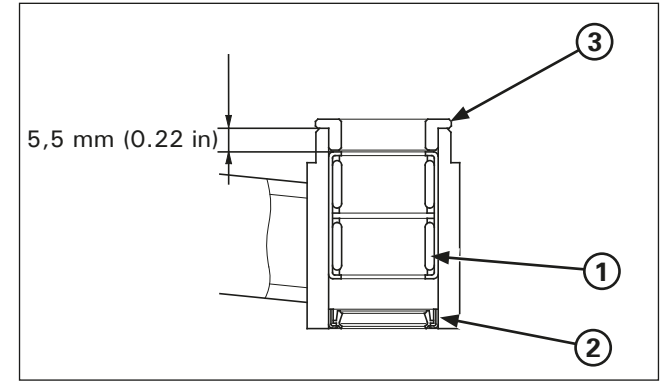
Disassembly

Remove the following:

- Bolts and drive chain cover
- Bolts and driven sprocket guard
- Screws and drive chain slider
- Chain tensioner
- Dust seal cap
- Dust seals
- Pivot collars
- Thrust bushings

Replace them if they have score marks, scratches, excessive or abnormal wear.

Check the shock mounts and swingarm for stress, cracks or other damage.



- (1) NEEDLE BEARING
- (2) DUST SEAL
- (3) BUSHING

Pivot Bearing Replacement

Replace the swingarm bearings as a set.

Remove the pivot bearings using the special tool.

Tool:

Bearing driver

07946-KA50000

Press a new pivot bearing in using the special tools .

Tools:

Driver

07749-0010000

Attachment, 24 x 26 mm

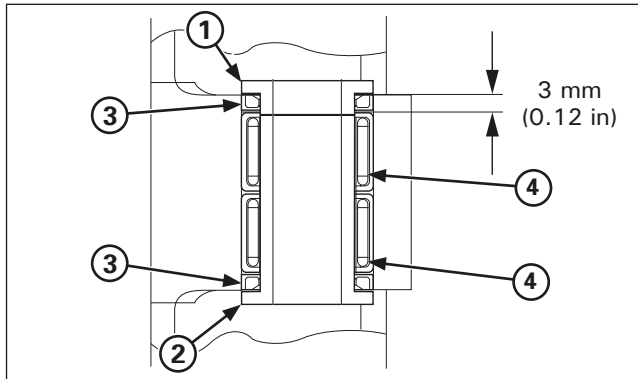
07746-0010700

Pilot, 20 mm

07746-0040500

Face the bearing with its marked side facing out.
Press the needle bearing so that it is 5.5 mm (0.22 in) below the swingarm end.

Install the thrust bushings and the dust seal.



- (1) PIVOT COLLAR A
- (2) PIVOT COLLAR B
- (3) DUST SEALS
- (4) NEEDLE BEARING

Link Bearing Replacement

Remove the pivot collars and dust seals.
Remove the pivot bearings using the special tool.

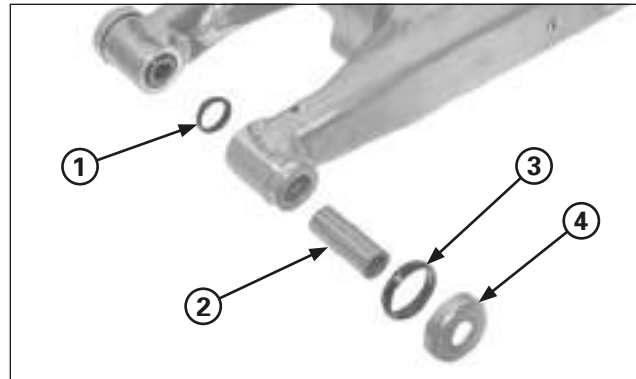
Tool:
Bearing driver **07946-MJ00000**

Press a new pivot bearing in using the special tools .

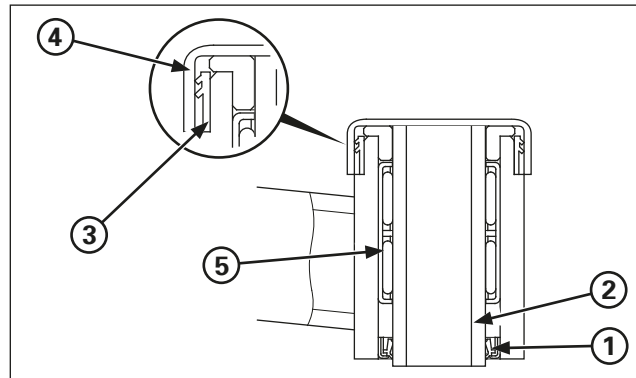
Tool:
Bearing driver **07946-MJ00000**

Face the bearing with its marked side facing out.
Press the needle bearing so that it is 3.0 mm (0.12 in) below the swingarm end.

Install the dust seals and pivot collars.



- (1) DUST SEAL
- (2) PIVOT COLLAR
- (3) DUST SEAL
- (4) DUST SEAL CAP

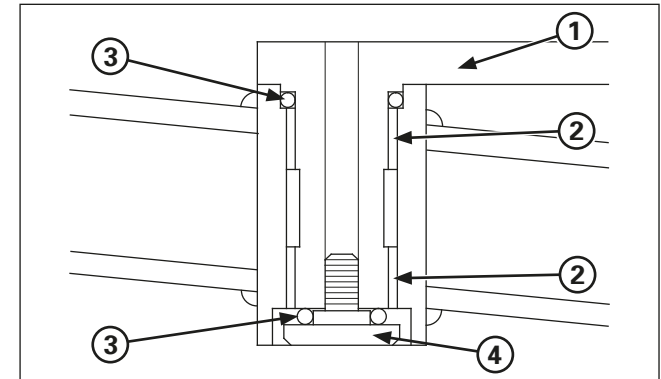


- (1) DUST SEAL
- (2) PIVOT COLLAR
- (3) DUST SEAL
- (4) DUST SEAL CAP
- (5) NEEDLE BEARING

Assembly

Apply grease to the bearings, pivot collars and lips of a new dust seals.

Install the pivot collars, dust seals and dust seal caps.
Note the direction of the dust seal.



- (1) CHAIN TENSIONER
- (2) BUSHINGS
- (3) O-RINGS
- (4) PIVOT BOLT

Apply grease to the pivot chain tensioner, bushings and O-rings.

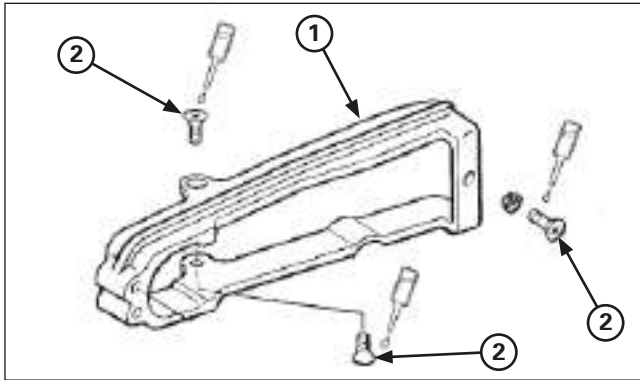
Install the drive chain tensioner pivot bushings into the swingarm.

Install a new O-ring onto the chain tensioner pivot.

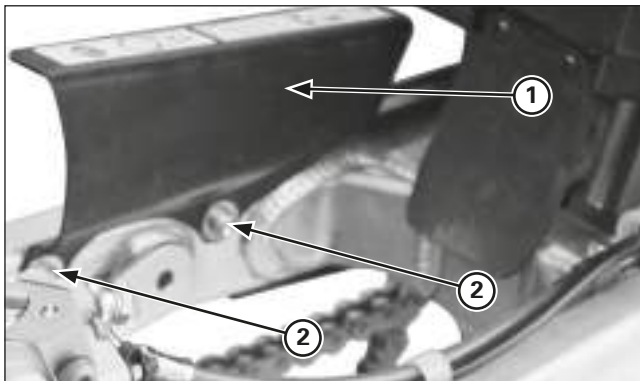
Install the chain tensioner into the swingarm.

Install a new O-ring and tighten the pivot bolt.

Frame servicing



(1) DRIVE CHAIN SLIDER
(2) SCREWS

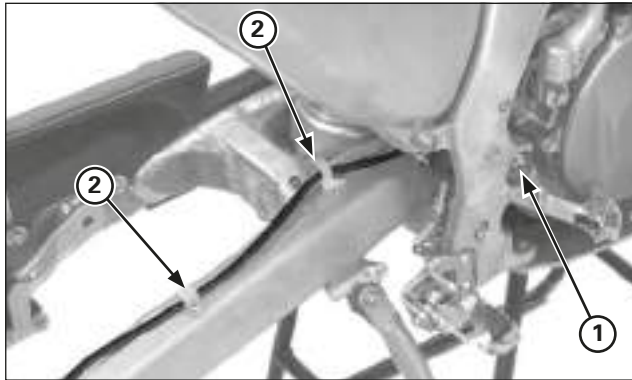


(1) DRIVE CHAIN GUARD
(2) SCREWS

Install the drive chain sliders onto the swingarm.
Apply a locking agent to the drive chain slider screw threads and tighten the screw.

Install the drive chain guard and tighten the bolts.

Torque: 6 - 7 N·m (0.6 - 0.7 kgf·m, 4.4 - 5.1 lbf·ft)



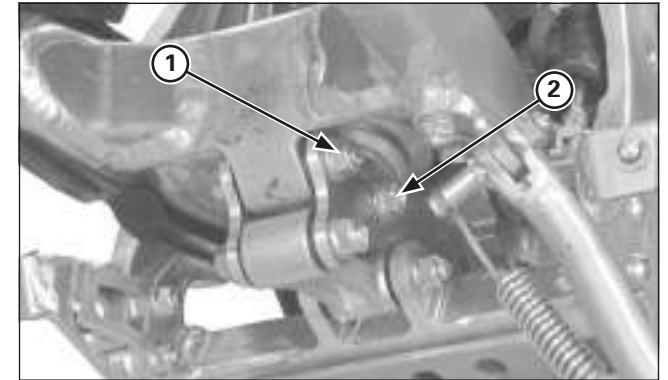
(1) PIVOT BOLT/NUT
(2) HOSE CLAMPS

Installation

Apply thin coat of grease to the swingarm pivot bolt surface.
Install the swingarm into the frame.
Install the swingarm pivot bolt from the left side.
Install and tighten the swingarm pivot nut to the specified torque.

Torque: 69 N·m (7.0 kgf·m, 51 lbf·ft)

Install the brake caliper onto the swingarm rail.
Install the brake hose clamps and tighten the screws.



(1) SHOCK ARM PLATES-TO-SWINGARM BOLT/NUT
(2) SHOCK ABSORBER LOWER MOUNTING BOLT/NUT

Install the following:

- Shock arm plates-to-swingarm bolt/nut
- Rear cushion lower mounting bolt/nut

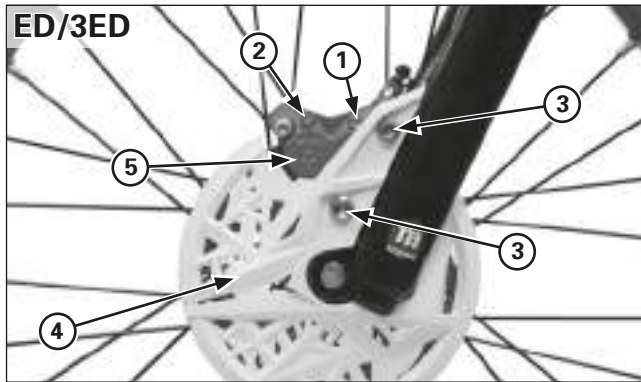
Tighten the shock arm plate bolt.

Torque: 39 N·m (4.0 kgf·m, 29 lbf·ft)

Tighten the shock absorber lower mounting bolt to the specified torque.

Torque: 39 N·m (4.0 kgf·m, 29 lbf·ft)

Install the rear wheel (page 5-16)



- (1) PAD PIN
- (2) PAD SPRING PIN
- (3) BOLTS
- (4) DISC COVER
- (5) CALIPER

Brake pad replacement

Clean the brake disc with a high quality degreasing agent if they are contaminated with oil or grease. Replace the pads if they are contaminated.

Front Brake Pad Replacement (ED/3ED)

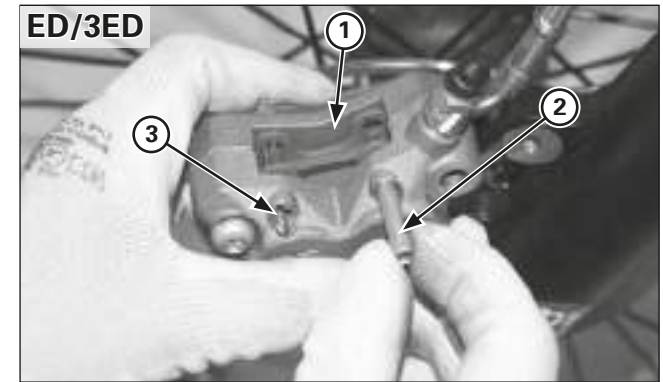
Loosen the pad pins.
 Remove the spring pin from the pads.
 Remove the brake caliper mounting bolts, disc cover, flange collars and caliper.



Push the pistons all the way in to allow installation of new brake pads.
 Check the brake fluid level in the reservoir as this operation causes the level to rise.

Remove the pad pins and brake pad.

Clean the brake caliper inside especially around the caliper pistons.



- (1) NEW PADS
- (2) PAD PIN
- (3) PAD SPRING PIN

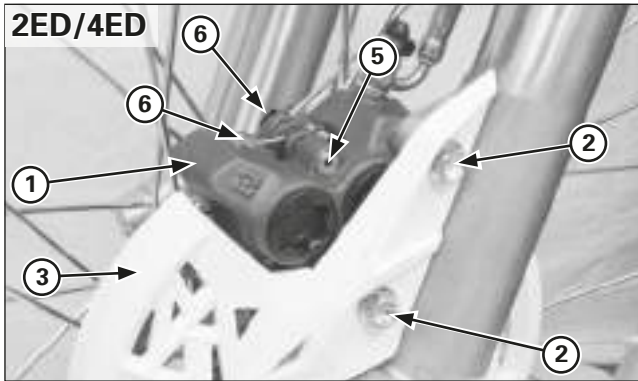
Install the new pads and secure with the pin and the spring pin for the pads.

Install the caliper to the fork so the disc is positioned between the pads, being careful not to damage the pads. Apply a locking agent to the caliper mounting bolt threads. Install the disc cover, then install and tighten the mounting bolts.

Torque: 26 N·m (2.7 kgf·m, 20 lbf·ft)

Operate the brake lever to seat the caliper pistons against the pads.

Frame servicing



- (1) CALIPER
- (2) BOLTS
- (3) DISC COVER
- (4) PAD SPRING
- (5) PIN
- (6) CIRCLIP

Front Brake Pad Replacement (2ED/4ED)

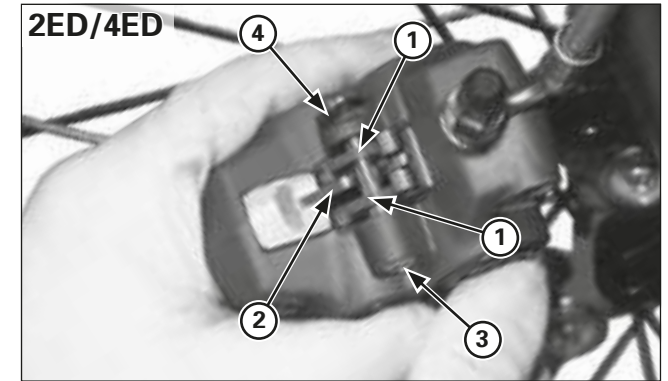
Remove the brake caliper mounting bolts, disc cover, flange collars and caliper.
Remove the circlip.
Remove the pad pin.
Remove the spring from the pads.



Push the pistons all the way in to allow installation of new brake pads.
Check the brake fluid level in the reservoir as this operation causes the level to rise.

Remove the pad pin and brake pad.

Clean the brake caliper inside especially around the caliper pistons.



- (1) NEW PADS
- (2) PAD SPRING
- (3) PIN
- (4) CIRCLIP

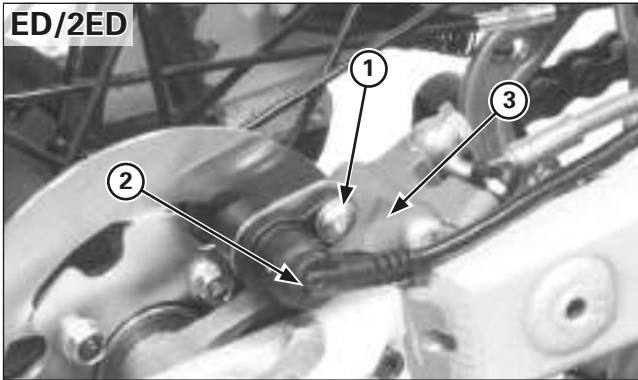
Install the new pads, the pad spring and secure with the pin and the circlip.

Torque: 8 N·m (0.8 kgf·m, 5.9 lbf·ft)

Install the caliper to the fork so the disc is positioned between the pads, being careful not to damage the pads. Apply a locking agent to the caliper mounting bolt threads. Install the disc cover, then install and tighten the mounting bolts.

Torque: 26 N·m (2.7 kgf·m, 20 lbf·ft)

Operate the brake lever to seat the caliper pistons against the pads.



- (1) BOLT
- (2) SPEED SENSOR
- (3) SPEED SENSOR BRACKET

Rear Brake Pad Replacement (ED/2ED)

NOTICE

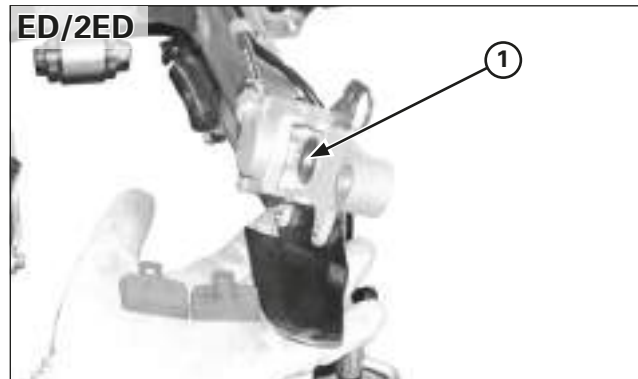
*Before replacing the rear brake pads, remove the speed sensor.
The speed sensor may be damaged if struck or pulled.*

Speed sensor removal (ED/2ED)

Remove the following:

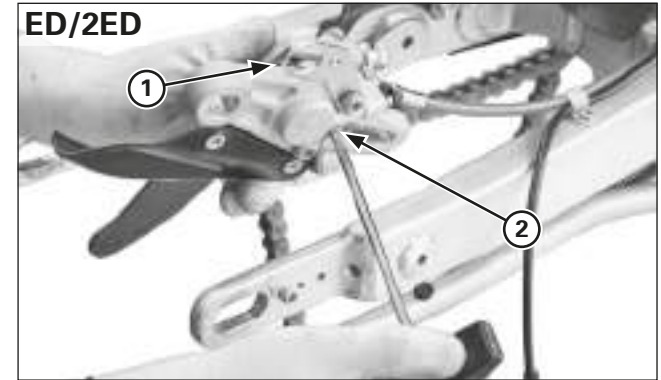
- Speed sensor bolt
- Remove the sensor from the sensor mount.

Detach the speed sensor from the rear brake calliper for easier removal.

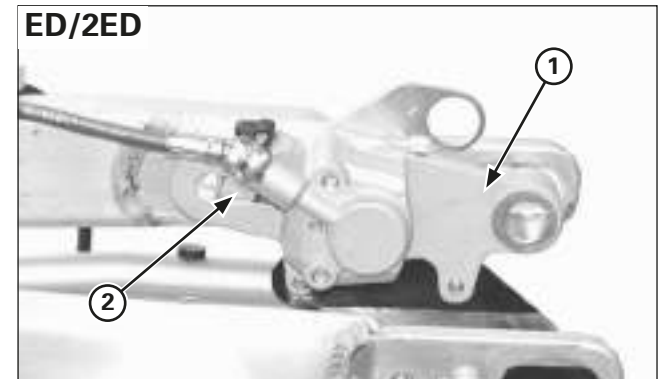


(1) CALIPER PISTON

Remove the rear wheel (page 5-15)
Push the piston all the way in to allow installation of new brake pads.
Check the brake fluid level in the reservoir as this operation causes the level to rise.
Remove the pad pin and brake pads.
Clean the brake caliper inside especially around the caliper pistons.



- (1) BRAKE PADS
- (2) PAD PIN

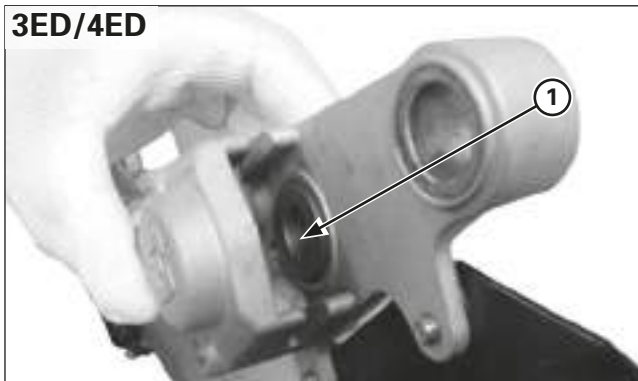
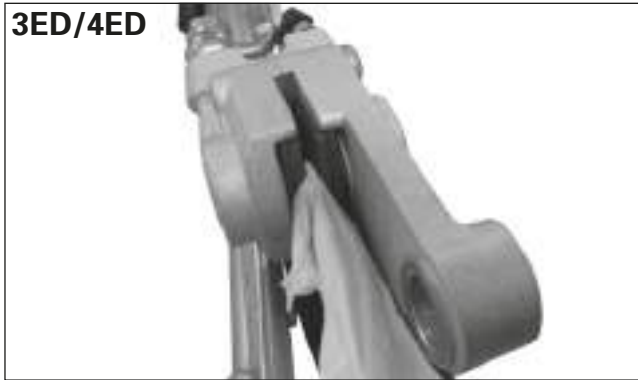


(1) CALIPER BRACKET
(2) BOSS/SLIT

Install the new pads and secure them with the pad pin.

Install the brake caliper bracket aligning its slit with the boss on the swingarm.

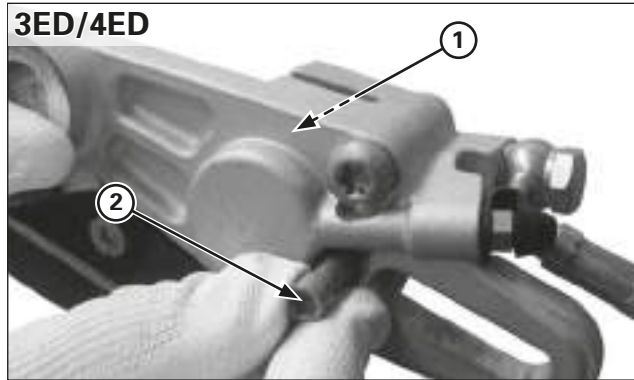
Install the rear wheel (page 5-16).
Operate the brake pedal to seat the caliper pistons against the pads.



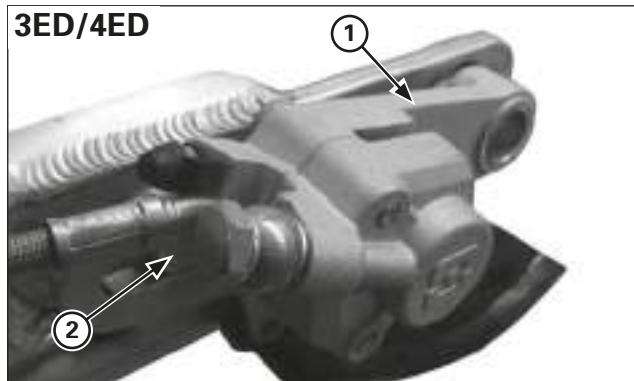
(1) CALIPER PISTON

Rear Brake Pad Replacement (3ED/4ED)

Remove the rear wheel (page 5-15)
 Push the piston all the way in to allow installation of new brake pads.
 Check the brake fluid level in the reservoir as this operation causes the level to rise.
 Remove the pad pin and brake pads.
 Clean the brake caliper inside especially around the caliper pistons.



(1) BRAKE PADS
 (2) PAD PIN

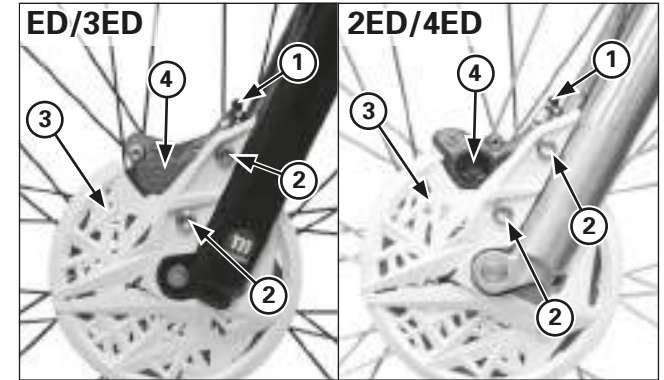


(1) CALIPER BRACKET
 (2) BOSS/SLIT

Install the new pads and secure them with the pad pin.

Install the brake caliper bracket aligning its slit with the boss on the swingarm.

Install the rear wheel (page 5-16).
 Operate the brake pedal to seat the caliper pistons against the pads.



(1) BRAKE HOSE OIL BOLT
 (2) MOUNTING BOLTS
 (3) DISC COVER
 (4) BRAKE CALIPER

Front brake caliper

Removal

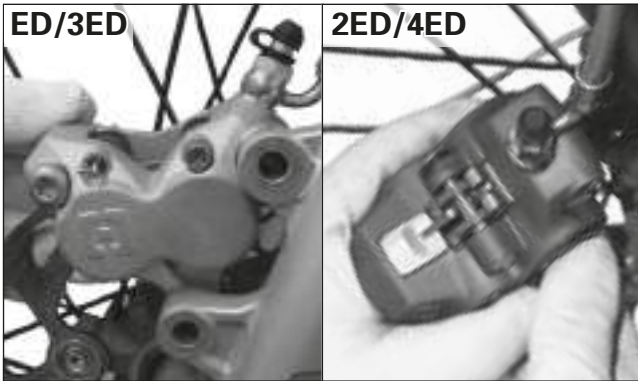
NOTICE

*Avoid spilling brake fluid on painted, plastic or rubber parts.
 Place a shop rag over these parts whenever the system is serviced.*

Drain the brake system.
 Place a clean container under the caliper.

Remove the following:

- Brake hose oil bolt
- Sealing washers
- Brake hose eyelet
- Caliper mounting bolts
- Disc cover
- Flange collars
- Brake caliper
- Spring pin for the pads
- Brake pads (page 5-25, ED/3ED version)
 (page 5-26, 2ED/4ED version)



Inspection

Clean the inside of the caliper.
Check the oil leakage from the caliper cylinders.

If any part of the caliper is damaged, replace the caliper as an assembly.

Installation

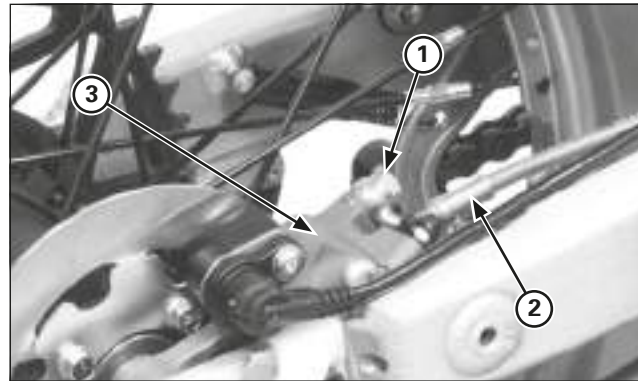
Apply locking agent to the caliper mounting bolt threads. Install the brake caliper and disc cover, and then install and tighten the caliper mounting bolts.

Torque: 26 N·m (2.7 kgf·m, 20 lbf·ft)

Connect the brake hose with two new sealing washers, then tighten the oil bolt.

Torque: 27 N·m (2.8 kgf·m, 20 lbf·ft)

Bleed the air in the front brake system.



- (1) OIL BOLT
- (2) BRAKE HOSE
- (3) BRAKE CALIPER

Rear brake caliper

Removal

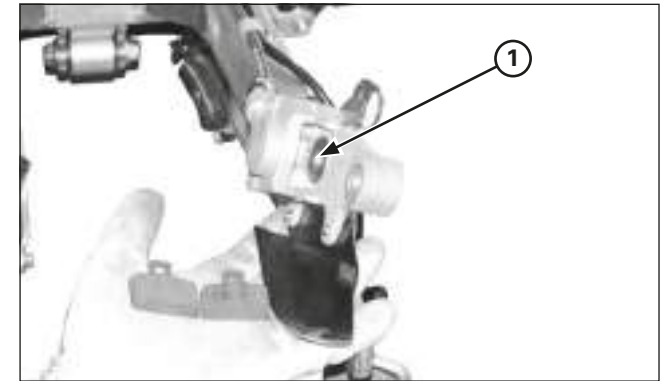
NOTICE

*Avoid spilling brake fluid on painted, plastic or rubber parts.
Place a shop rag over these parts whenever the system is serviced.*

Drain the brake system.
Place a clean container under the caliper.

Remove the following:

- Brake hose oil bolt
- Sealing washers
- Brake hose eyelet
- Rear wheel (page 5-15)
- Brake caliper/bracket
- Spring pin for the pads
- Brake pads (page 5-27, ED/2ED)
(page 5-28, 3ED/4ED)



- (1) CALIPER PISTON

Inspection

Clean the inside of the caliper.
Check the oil leakage from the caliper cylinder.

If any part of the caliper is damaged, replace the caliper as an assembly.

Installation

Install the brake caliper onto the swingarm rail.
Connect the brake hose with two new sealing washers.

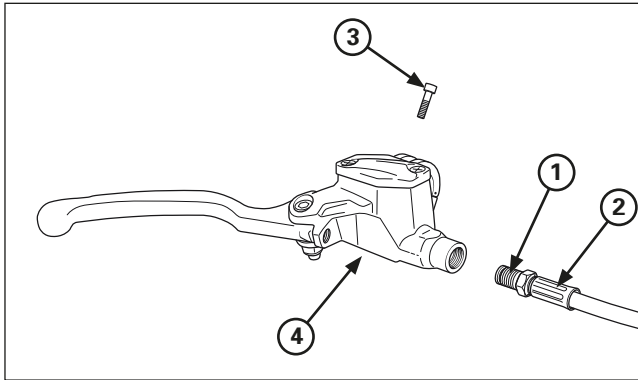
Install the rear wheel (page 5-16).

Tighten the oil bolt to the specified torque.

Torque: 26 N·m (2.7 kgf·m, 20 lbf·ft)

Bleed the air in the rear brake system.

Frame servicing



- (1) OIL BOLT
- (2) BRAKE HOSE
- (3) BOLT
- (4) MASTER CYLINDER

Front master cylinder

Removal/Installation

NOTICE

Avoid spilling brake fluid on painted, plastic or rubber parts. Place a shop rag over these parts whenever the system is serviced.

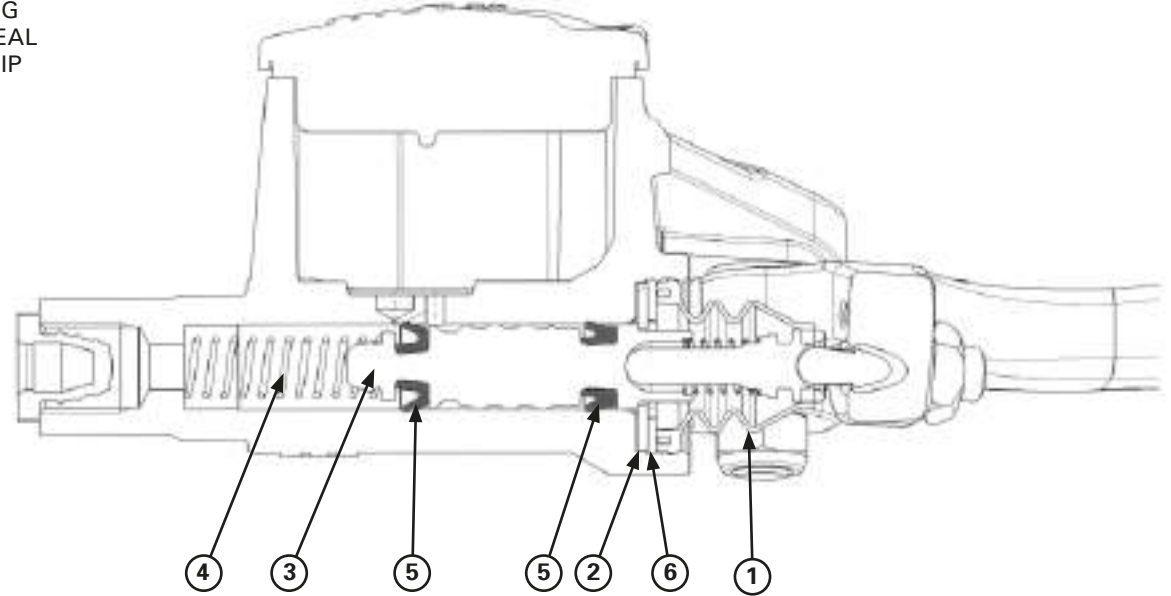
When removing the brake hose bolt, cover the end of the hoses to prevent contamination. Secure the hoses to prevent fluid from leaking out.

Drain the brake fluid from the hydraulic system into a suitable container.

Remove the following:

- Brake lever
- Brake hose bolt
- Master cylinder holder bolt and holder
- Master cylinder

- (1) BOOT
- (2) SNAP RING
- (3) PISTON ASSEMBLY
- (4) SPRING
- (5) OIL SEAL
- (6) CIRCLIP



Disassembly/Assembly

NOTICE

Keep the master cylinder piston, oil seals, spring and snap ring as a set; don't substitute individual parts.

When installing the oil seals, do not allow the lips to turn inside out and be certain the snap ring is firmly seating in the groove.

Remove the snap ring and disassemble the master cylinder.

Inspection

Check the following items (page 2-5):

- Master cylinder and piston for scoring, scratches or other damage
- Master piston O.D. and master cylinder I.D.

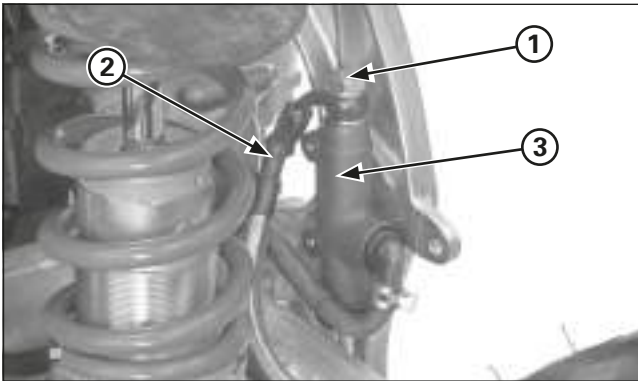
Installation

Installation is in the reverse order of removal.

Torque:

- Brake hose oil bolt:** 14 N•m (1.4 kgf•m, 10.3 lbf•ft)
- Master cylinder holder bolt:** 5.5 N•m (0.5 kgf•m, 4.1 lbf•ft)

Bleed the air in the front brake system.



- (1) OIL BOLT
- (2) BRAKE HOSE
- (3) MASTER CYLINDER

Rear master cylinder

Removal/Installation

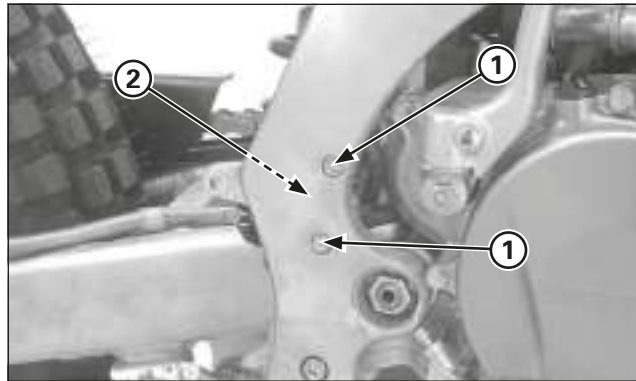
NOTICE

Avoid spilling brake fluid on painted, plastic or rubber parts. Place a shop rag over these parts whenever the system is serviced.
When removing the brake hose bolt, cover the end of the hoses to prevent contamination. Secure the hoses to prevent fluid from leaking out.

Drain the brake fluid from the hydraulic system into a suitable container.

Remove the air cleaner housing.
 Remove the exhaust muffler.
 Remove the reservoir tank from the bracket.

Remove the brake hose oil bolt and disconnect the brake hose.



- (1) BOLTS
- (2) MASTER CYLINDER

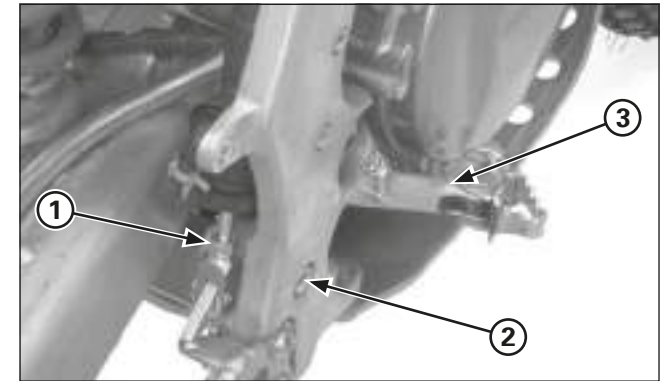
Remove the mounting bolts and master cylinder.

Installation

Installation is in the reverse order of removal.
 Connect the brake hose with two new sealing washers, then tighten the oil bolt.

Torque:
Brake hose oil bolt: 26 N•m (2.7 kgf•m, 19.1 lbf•ft)

Bleed the air from the rear brake system.



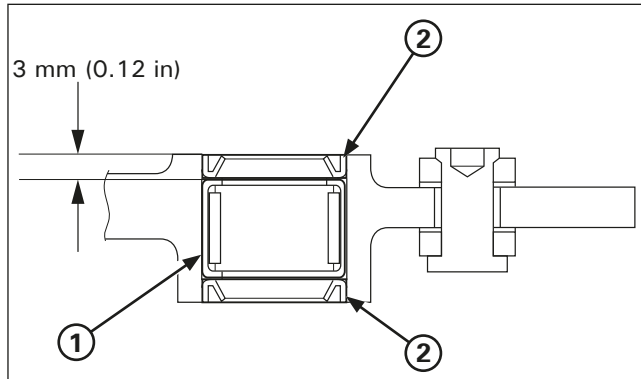
- (1) NUT
- (2) BOLT
- (3) BRAKE PEDAL

Brake pedal

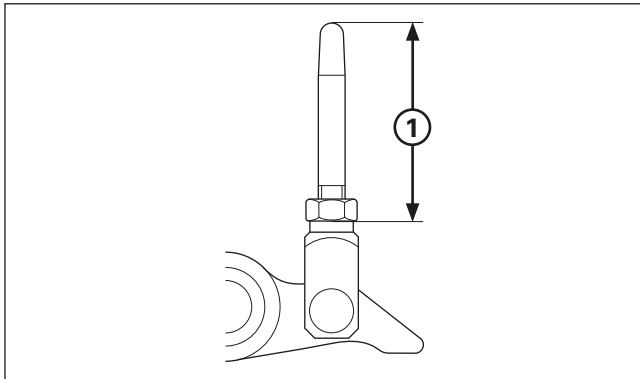
Removal

Remove the brake pedal pivot nut and bolt.
 Remove the brake pedal and collar.

Frame servicing



- (1) BEARING
- (2) DUST SEALS



- (1) STANDARD LENGTH; 35 MM

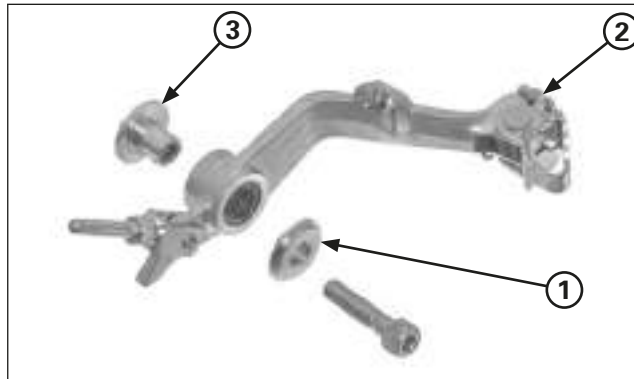
Pivot Bearing Replacement

Remove the dust seals.

Remove the pivot bearing and press a new needle bearing so that it is 3 mm (0.12 in) below the pedal end. Apply grease inside needle bearing.

Adjust the brake pedal height by loosening the lock nut and turning the push rod.

Push rod height must be adjusted between 32.5 – 37.5 mm.

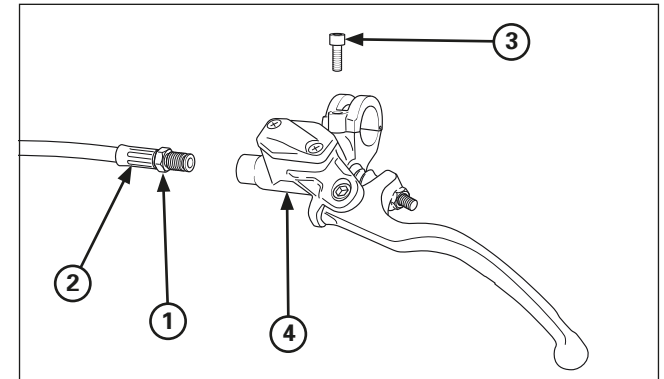


- (1) COLLAR B
- (2) PEDAL
- (3) COLLAR A

Installation

Install the brake pedal and collars.
Install and tighten the pivot nut and bolt.
Apply sealant to the threads of pivot bolt.

Torque: 29 N•m (3.0 kgf•m, 22 lbf•ft)



- (1) OIL BOLT
- (2) CLUTCH HOSE
- (3) BOLT
- (4) MASTER CYLINDER

Clutch master cylinder

Removal/Installation

NOTICE

Avoid spilling brake fluid on painted, plastic or rubber parts. Place a shop rag over these parts whenever the system is serviced.

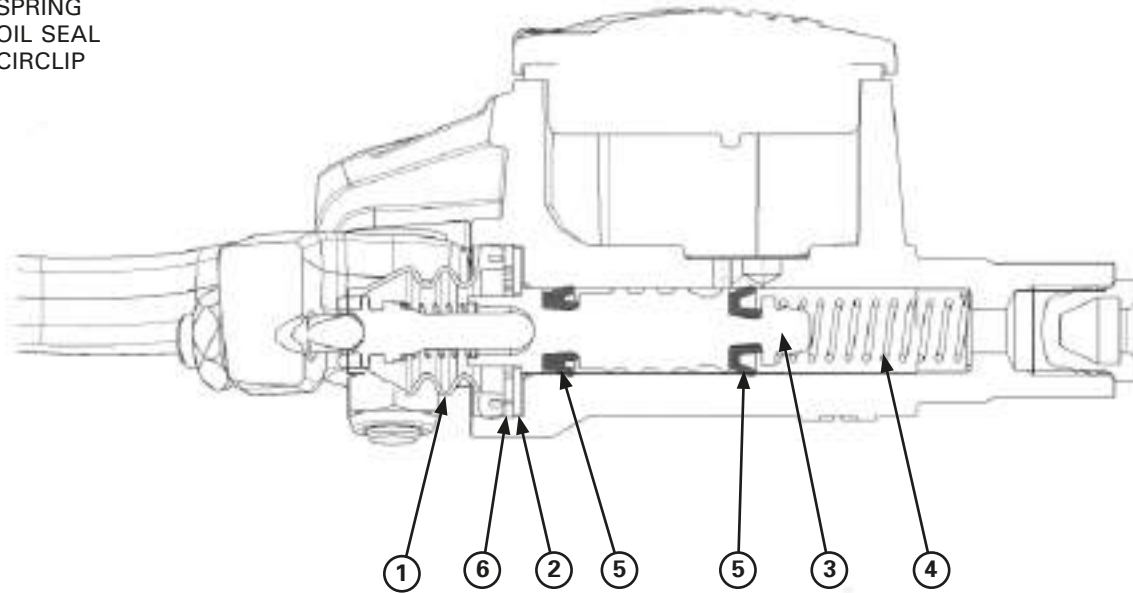
When removing the clutch hose bolt, cover the end of the hose to prevent contamination. Secure the hose to prevent fluid from leaking out.

Drain the clutch fluid from the hydraulic system into a suitable container.

Remove the following:

- Clutch lever
- Clutch hose bolt
- Master cylinder holder bolt and holder
- Master cylinder

- (1) BOOT
- (2) SNAP RING
- (3) PISTON ASSEMBLY
- (4) SPRING
- (5) OIL SEAL
- (6) CIRCLIP



Disassembly/Assembly

NOTICE

Keep the master cylinder piston, oil seals, spring and snap ring as a set; don't substitute individual parts. When installing the oil seals, do not allow the lips to turn inside out and be certain the snap ring is firmly seating in the groove.

Remove the snap ring and disassemble the master cylinder.

Inspection

- Check the following items (page 2-5):
- Master cylinder and piston for scoring, scratches or other damage
 - Master piston O.D. and master cylinder I.D.

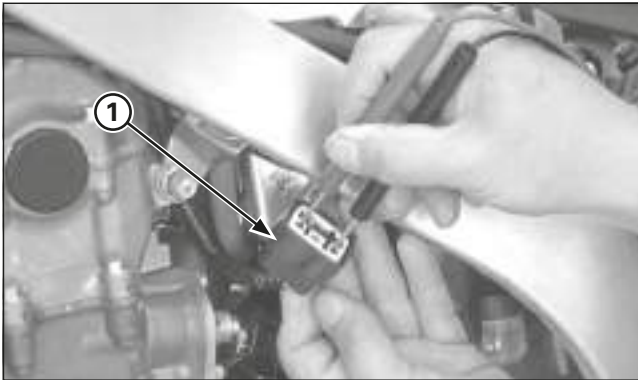
Installation

Installation is in the reverse order of removal.

- Torque:**
- Brake hose oil bolt: 14 N·m (1.4 kgf·m, 10.3 lbf·ft)**
 - Master cylinder holder bolt: 5.5.N·m (0.5 kgf·m, 4.1 lbf·ft)**

Bleed the air from the clutch system.

Memo



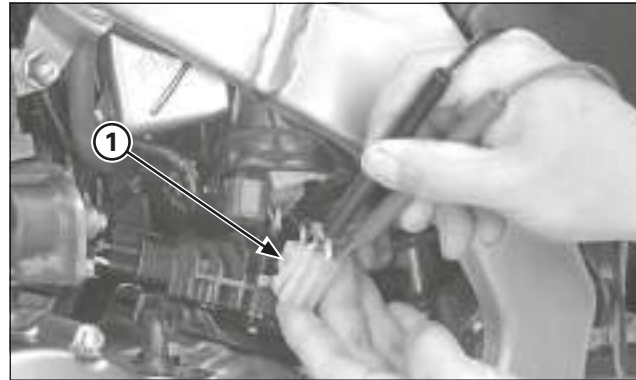
(1) 6P (BLACK) CONNECTOR

Charging system inspection

Alternator charging coil

Disconnect the regulator rectifier 6P (Black) connector. Measure the resistance between the Yellow terminals of the wire harness side.

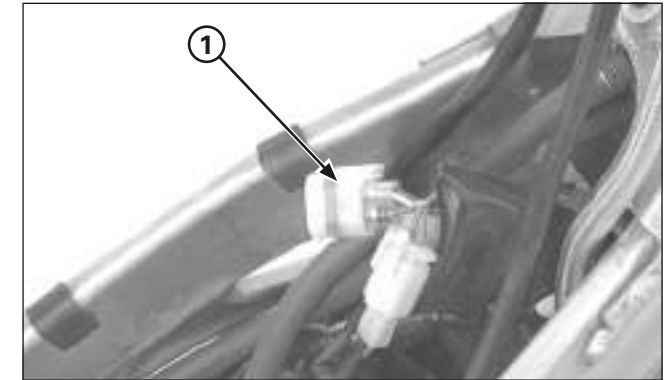
Standard: 0.7 – 1.0 Ω (20°C/68°F)



(1) 3P (NATURAL) CONNECTOR

If the resistance is out of specification, disconnect the alternator 3P (Natural) connector and measure the resistance between the yellow terminals of the alternator side connector.

If the measured resistance at regulator/rectifier 6P (Black) connector is incorrect and the alternator 3P (Natural) connector is correct, check the wire harness. If the resistance is still out of specification, replace the stator assembly.



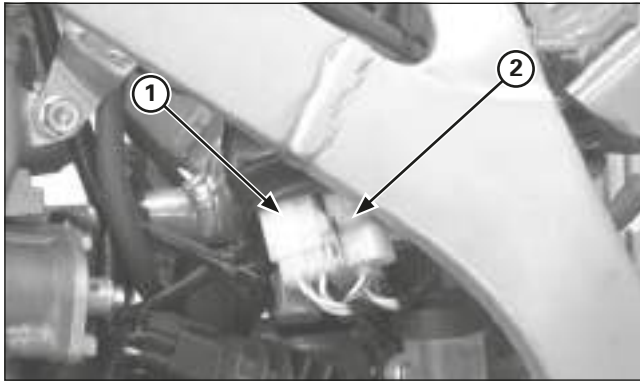
(1) 4P (NATURAL) CONNECTOR

Regulated Voltage Inspection

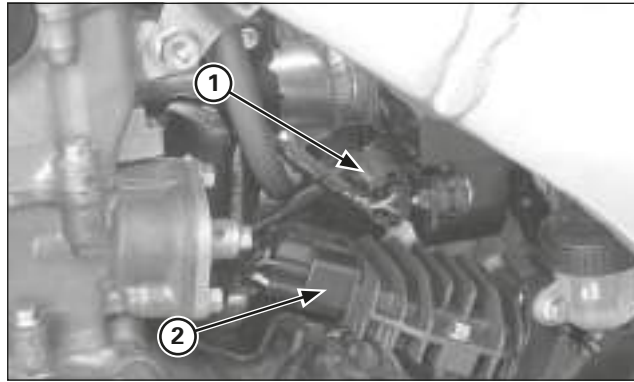
Disconnect the power 4P (Natural) connector. Connect the digital voltmeter to the Red (+) and Green (-) terminals. Start the engine, check for regulated voltage.

Standard: 13.5 – 14.5 V/1,800 min-1 (rpm)

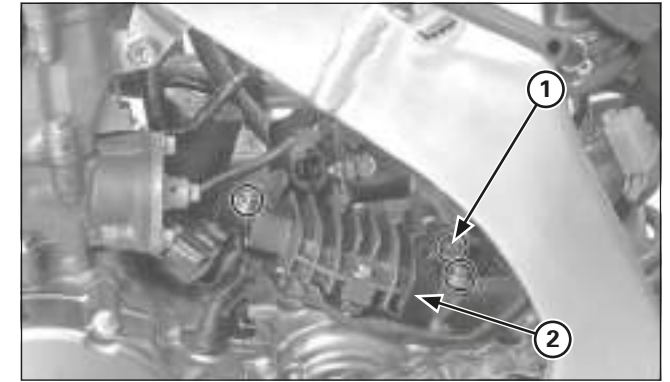
Electrical servicing



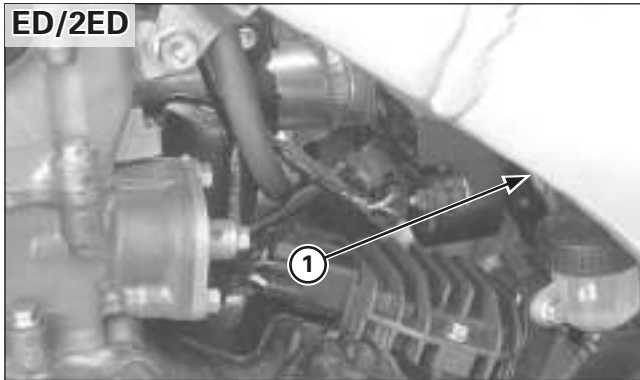
(1) 3P (NATURAL) CONNECTOR
(2) 2P (NATURAL) CONNECTOR



(1) 2P (BLACK) CONNECTOR
(2) 6P (BLACK) CONNECTOR



(1) BOLTS
(2) ELECTRICAL COMPONENTS SUPPORT



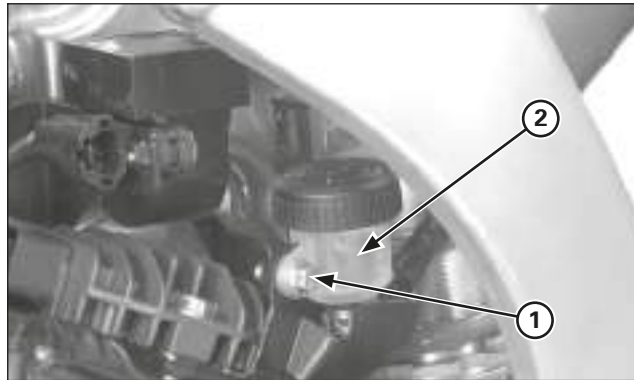
(1) FAN MOTOR RELAY

Regulator/Rectifier Removal/installation

Remove the throttle body (page 4-13).

Disconnect the alternator 3P (Natural) connector and ignition pulse generator 2P (Natural) connector.

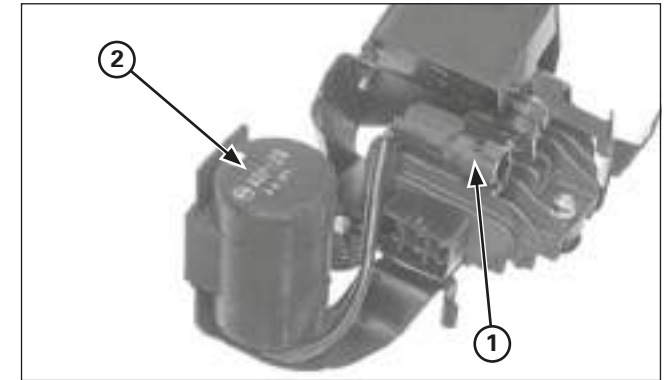
Remove the fan motor relay from the bracket.



(1) BOLT
(2) BRAKE RESERVOIR

Disconnect the condenser 2P (Black) and regulator/rectifier 6P (Black) connectors.

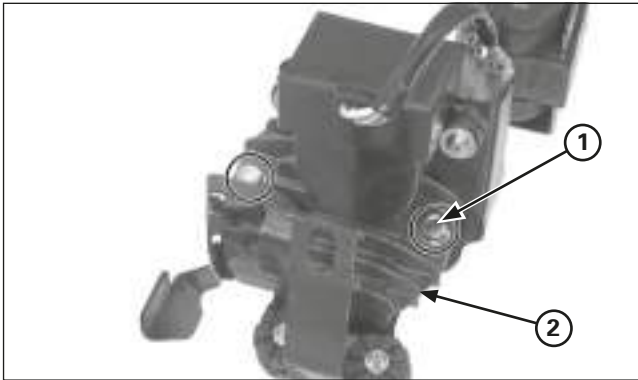
Remove the rear brake reservoir tank mounting bolt.



(1) 2P (BLACK) CONNECTOR
(2) CONDENSER

Remove the electrical components support bolts, then remove the electrical components support from the frame.

Release the condenser 2P (Black) connector, then remove the condenser from the electrical components support.

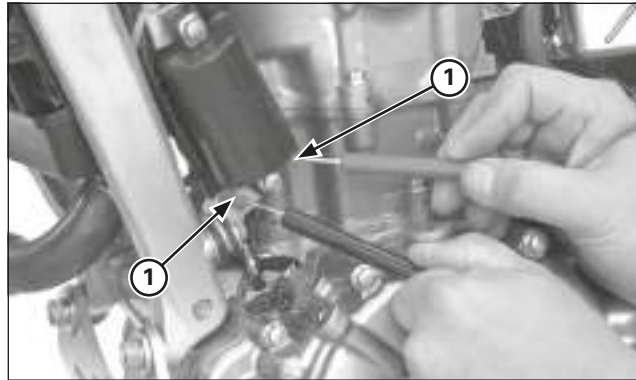


(1) BOLTS
(2) REGULATOR/RECTIFIER

Remove the bolts and regulator/rectifier from the electrical components support.

Install the regulator/rectifier and condenser in the reverse order of removal.

Install the rest of the components in the reverse order of disassembly.



(1) PRIMARY TERMINALS

Ignition system inspection

Ignition coil inspection

Disconnect the wires from the ignition coil of the terminals and measure the ignition primary coil resistance between the primary terminals.

Standard: 2.6 - 3.2 Ω (20°C/68°F)

Measure the secondary coil resistance.

Standard:

With plug cap:	17.3 - 22.8 kΩ (20°C/68°F)
Without plug cap:	13.5 - 16.5 kΩ (20°C/68°F)

Replace the ignition coil if the resistance is out of specification.



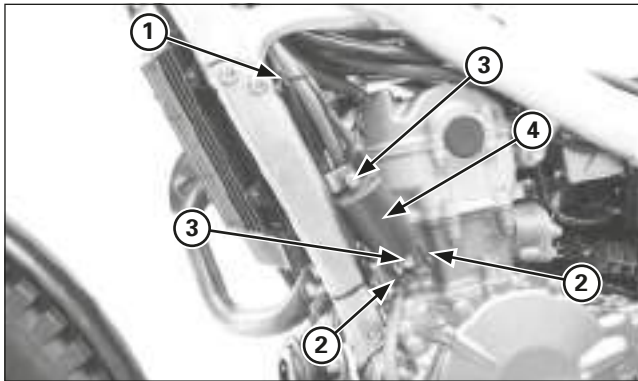
(1) SPARK PLUG CAP
(2) TIE-WRAP

Ignition coil Removal/Installation

Remove the fuel tank/injector assembly.

Remove the spark plug cap. Remove the tie-wrap and release the spark plug wire from the fan motor bracket.

Electrical servicing

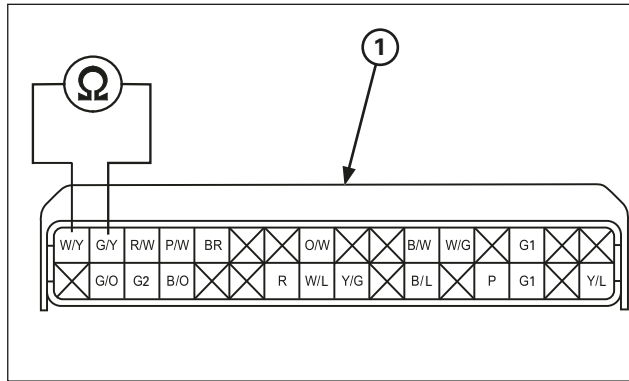


- (1) WIRE CLAMP
- (2) PRIMARY WIRES
- (3) BOLTS
- (4) IGNITION COIL

Remove the wire clamp.

Disconnect the primary wires from the ignition coil.
Remove the mounting bolts and ignition coil.

Installation is in the reverse order of removal.
Route the spark plug wire properly and secure it with tie-wrap.

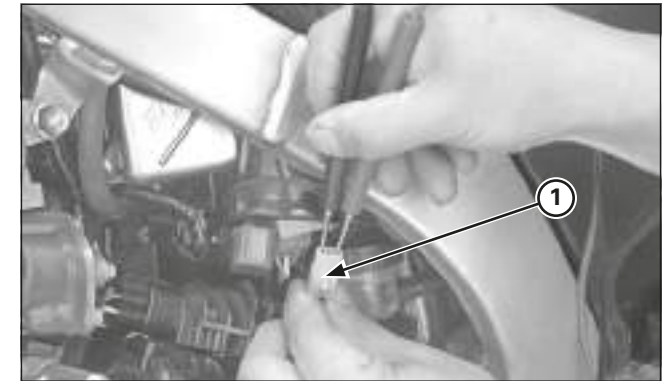


- (1) 32P (BLACK) CONNECTOR

Ignition Pulse Generator Inspection

Check the resistance of the pulse generator power in the 32P (Black) connector (page 6-5).

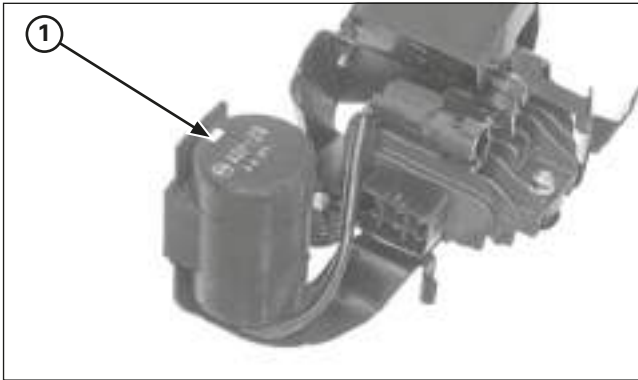
Connection: White/yellow – Green/yellow
Standard: 85 - 115 Ω (20°C/68°F)



- (1) 2P (NATURAL) CONNECTOR

If the resistance is out of specification, measure the resistance at the ignition pulse generator 2P (Natural) connector.

If the measured resistance at ECM 32P (Black) connector is incorrect and the ignition pulse generator 2P (Natural) connector is correct, check the wire harness.
If the resistance is still out of standard, replace the ignition pulse generator/stator assembly (page 4-52).



(1) CONDENSER

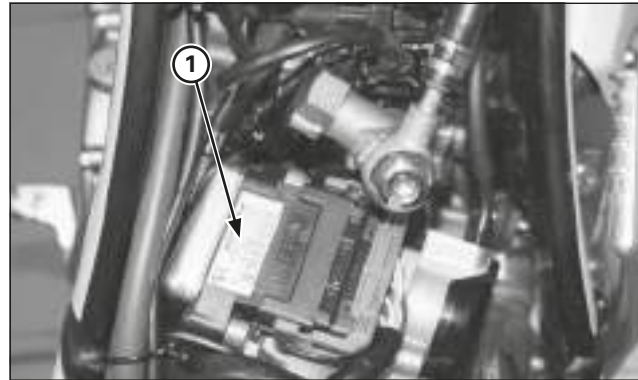
Condenser Inspection

If the engine does not start, check for the items “engine does not start” in the PGM-FI Malfunction Indicator Lamp (MIL) Failure Code chart on page 6-9.

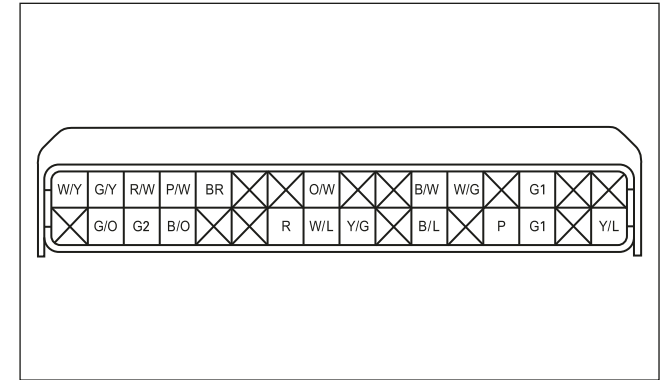
If all items are correct, replace the condenser unit with new one, and inspect again.

If the engine starts, the replaced condenser is faulty.

If the engine does not starts, check for wire harness.



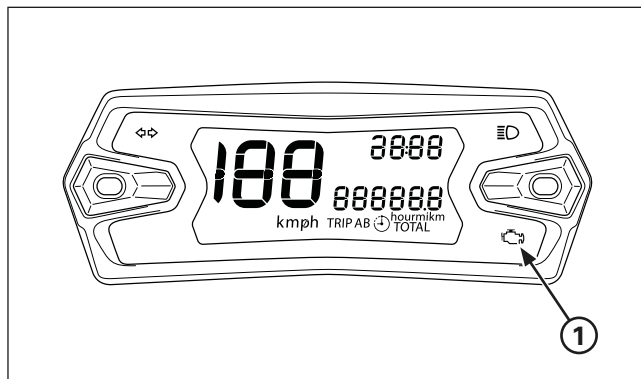
(1) 32P (BLACK) CONNECTOR



PGM-FI System inspection

Place the motorcycle upright position and remove the rear fender. Disconnect the ECM 32P (Black) connector. Check for the following at the ECM terminals of the wire harness side.

Item	Terminal	Standard
Ignition pulse generator	G/Y – W/Y	85 – 115 Ω (20 °C/68 °F)
Ignition coil (primary coil)	Y/L – R	2.6 – 3.2 Ω (20 °C/68 °F)
INJ (Injector)	P – R	11.1 – 12.3 Ω (20 °C/68 °F)
Engine stop switch	B/W and Ground	Continuity exist only when switch is pushed
ECT (Engine Coolant Temperature) sensor	P/W – G/O	2.3 – 2.6 kΩ (20 °C/68 °F)
Sensor ground	G1 and Ground	Continuity
Power ground	G1 and Ground	Continuity



(1) MALFUNCTION INDICATOR (MIL)

PGM-FI

NOTICE

If the MIL indicator comes on while driving, you may have a problem with the PGM-FI electronic injection system.

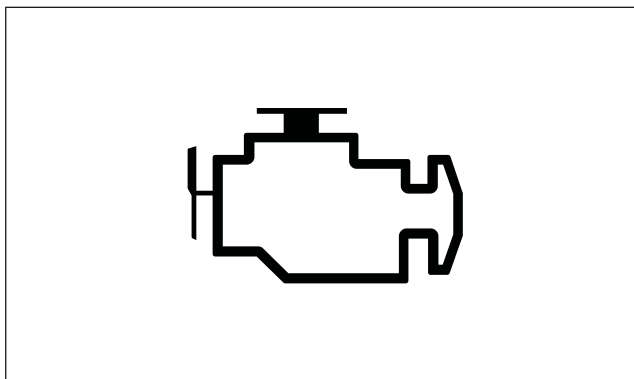
Slow down and stop the motorcycle in a safe place.

Re-start the motorcycle.

If the MIL indicator is still on after 5 seconds, inspect the motorcycle at your Montesa dealer as soon as possible.

OBD system (diagnosis system)

This motorcycle complies with the Euro 4 standard and with the OBD diagnosis system phase1. The existing PGM-FI injection system is equipped with a self-diagnosis system. When there is an anomaly in the injection system, the engine control module (ECM) turns on the engine trouble indicator (MIL) and stores an error code (DTC) in its memory. With the OBD diagnosis system, a generic diagnostic tool (DST) available in shops can be connected to consult and clear the DTC error codes and the frozen data.

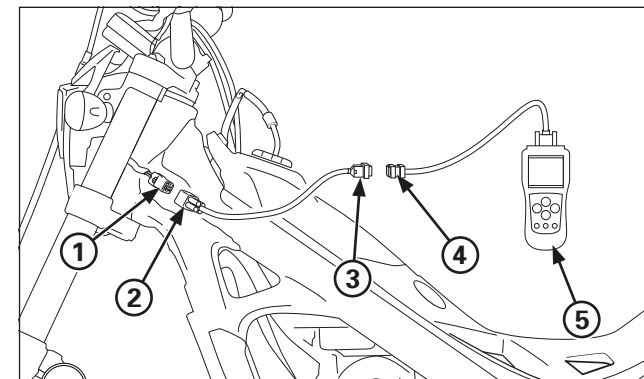


Fail-safe function

The PGM-FI system is provided with a fail-safe function to secure a minimum running capability even when there is trouble in the system. When any abnormality is detected by the self-diagnosis function, running capability is maintained by pre-programmed value in the simulated program map. When any abnormality is detected in the injector, the fail-safe function stops the engine to protect it from damage.

MIL Check

When the engine is started the MIL will stay on for 5 seconds and then go off. If the MIL does not come off, troubleshoot DTC code. If the MIL does not come on, troubleshoot the MIL circuit.



(1) 4P OBD (RED)

(2) 4P CONNECTOR

(3) 16P CONNECTOR

(4) OBD CONNECTOR

(5) DST

Connection of a generic diagnosis tool (DST)

The DTC error codes read by the generic diagnostic tool (DST), follow the format of the ISO standard and the connector of the DST is also the 16-pin of the ISO standard. Therefore, in order to connect the generic diagnosis tool (DST) to the motorcycle, it is necessary to use an adapter (reference 070MZ-K530101) for the 4-pin OBD connector (red), which is located behind the headlight housing. To use the DST, refer to the instruction manual included with the purchased model.

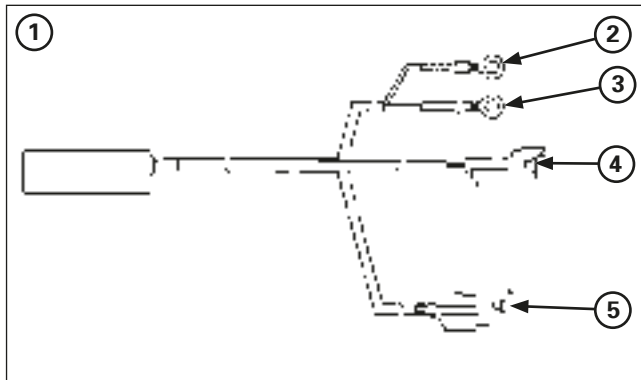
Connect the diagnostic tool (DST) as shown in the illustration and start the motorcycle.

Check the active DTC codes and confirm the error code in the code list on page "MIL and DTC (ISO) error codes of the PGM-FI electronic injection system" on page 6-9.

Stop the motorcycle and solve the fault.

Start the motorcycle and with the help of the DST proceed to erase the fault codes stored in the speedometer.

Once the speedometer failure codes have been eliminated with the DST, even if it is not necessary, it is recommended to also delete the codes stored in the ECM (see page 6-7).



- (1) PGM WARNING UNIT ASSEMBLY
- (2) RED WIRE EYELET
- (3) GREEN WIRE EYELET
- (4) 2P (BLACK) CONNECTOR
- (5) 4P (RED) CONNECTOR

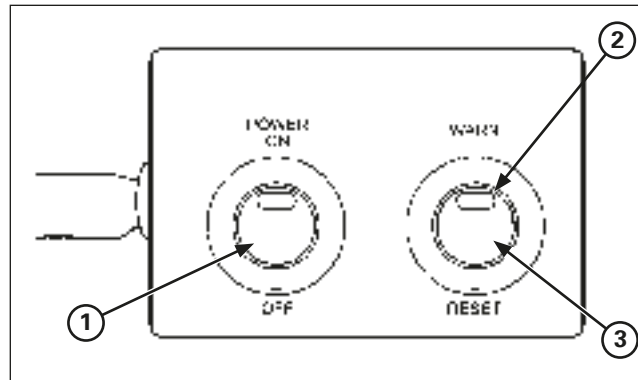
DTC readout procedure

- Disconnect the fuel pump 2P (Black) connector.
- Disconnect the condenser 2P (Black) connector and connect the warning unit 2P (Black) connector to the wire harness side.

Tool:

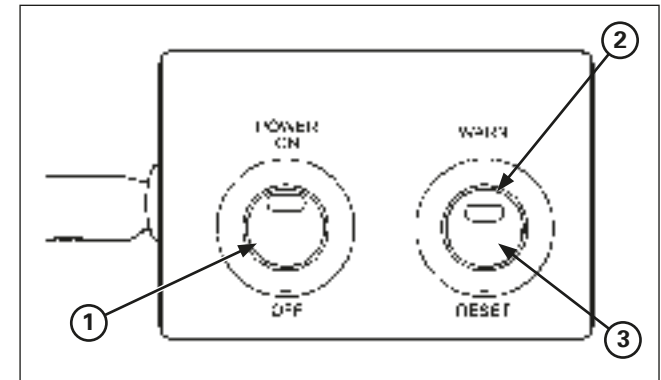
PGM-FI warning unit assembly 38880-NN4-H00

- Make sure PGM-FI warning unit assembly power switch is in OFF position.
- Connect the warning unit 4P (Red) connector to the service check 4P (Red) connector.
- Connect the fully charged 12 V battery to the warning unit terminals (red wire eyelet to the battery positive terminal and green wire eyelet to the negative terminal).



- (1) POWER SWITCH
- (2) MIL
- (3) WARN/RESET SWITCH

- Turn the PGM warning unit "WARN/RESET" switch to the warning side as shown.
- Turn the power switch ON, check that the MIL.
- If the ECM has no self diagnosis memory data, the MIL will illuminate, when you turn the power switch ON.
- If the ECM has self diagnosis memory data, the MIL will start blinking when you turn the power switch ON.
- Note how many times the MIL blinks, and determine the cause of the problem (See page 6-9).

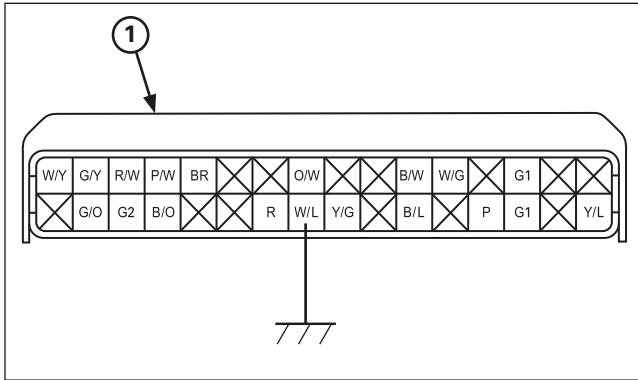


- (1) POWER SWITCH
- (2) MIL
- (3) WARN/RESET SWITCH

Self-diagnosis Reset Procedure

- Connect the PGM-FI warning unit assembly to the wire harness and 12 V battery same procedure as Self-diagnosis (see previous step).
 - Before turn ON the power switch, turn the warning/reset switch to the warning side.
 - Turn the power switch ON, then turn the warning/reset switch to reset side.
 - The MIL lights about 5 seconds.
 - While the MIL lights, turn the warning/reset switch to the warning side.
 - Self-diagnosis memory data is erased, if the MIL turns off and start blinking.
 - The "WARN/RESET" switch must be switched to "WARN" side while the indicator lights. If not, the MIL will not start blinking
 - Note that the self-diagnosis memory data cannot be erased if you disconnect the battery from the warning unit assembly before the MIL starts blinking.
- PGM-FI Self-diagnosis Malfunction Indicator Lamp (MIL) Failure Codes

Electrical servicing

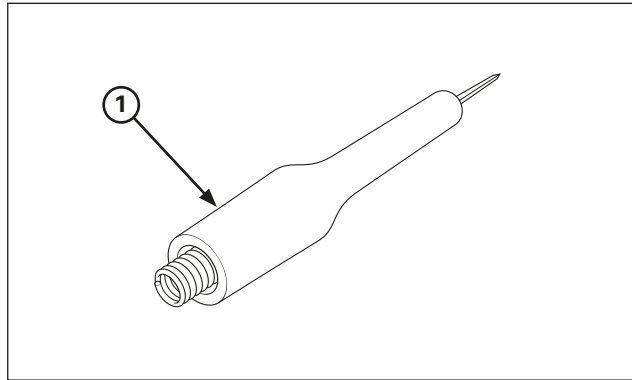


(1) 32P CONNECTOR GENERAL INSTALLATION

Mil circuit troubleshooting

If the MIL does not come on when the engine start, check as follows:

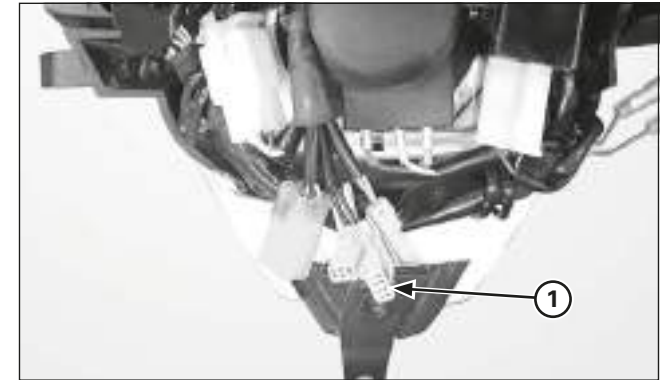
- Stop the engine
- Disconnect the ECM 32P (Black) connector
- Ground the White/blue wire terminal of the wire harness side ECM 32P (Black) connector with a jumper wire



(1) PROBE

Tool:

Test probe 07ZAJ-RDJA110



(1) 4P (WHITE) CONNECTOR

- Start the engine the MIL should come on.
- If the MIL comes on, replace the ECM with a known good one and recheck the MIL indication.
- If the MIL does not come on, check for open circuit between green wire terminal of MIL 4P (White) connector and White/blue wire terminal of the wire harness side ECM 32P (Black) connector.
- If the wire is OK, replace the combination meter.

MIL and DTC (ISO) error codes for the PGM-FI injection system.

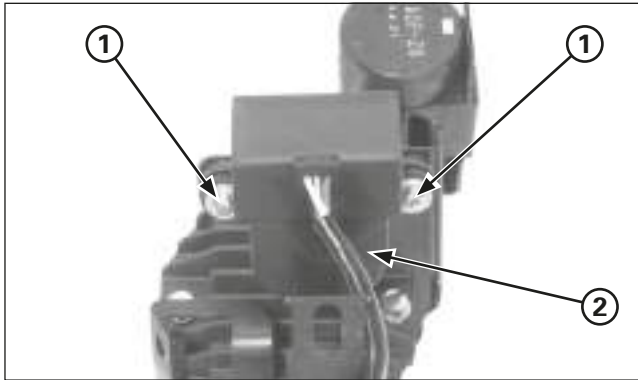
- The PGM-FI MIL denotes the failure codes (the number of blinks from 0 to 54). When the indicator lights for 1.3 seconds, it is equivalent to ten blinks. For example; a 1.3 second illumination and two blinks (0.5 second x 2) of the indicator equals 12 blinks. Follow code 12 troubleshooting.
- When more than one failure occurs, the MIL shows the blinks in the order of lowest number to highest number. For example; if the indicator blinks once, then seven times, two failures have occurred. Follow codes 1 and 7 troubleshooting.

Number of blinks (*)		ISO error codes (**)	Causes	Symptoms
0	No blinks		<ul style="list-style-type: none"> • Faulty ECM 	<ul style="list-style-type: none"> • Engine does not start
	No blinks		<ul style="list-style-type: none"> • Faulty ECM (PGM-FI warning indicator output) 	<ul style="list-style-type: none"> • Engine operates normally
	Stay lit		<ul style="list-style-type: none"> • Short circuit in service check connector • Faulty ECM (PGM-FI warning indicator output) 	<ul style="list-style-type: none"> • Engine operates normally
1	Blink	P0160	<ul style="list-style-type: none"> • Open or short circuit in MAP sensor line (in the ECM) • Faulty MAP sensor 	<ul style="list-style-type: none"> • Poor idle
7	Blinks	P0116	<ul style="list-style-type: none"> • Loose or poor contact on ECT sensor • Open or short circuit in ECT sensor wire • Faulty ECT sensor 	<ul style="list-style-type: none"> • Hard starting at a low temperature (Simulate using numerical values; 90 °C/194 °F) • Cooling fan does not stop
8	Blinks	P0121	<ul style="list-style-type: none"> • Open or short circuit in TP sensor line (in the ECM) • Faulty TP sensor 	<ul style="list-style-type: none"> • Poor engine response when operating the throttle quickly (Simulate using numerical values; throttle open 0°)
9	Blinks	P0111	<ul style="list-style-type: none"> • Open or short circuit in IAT sensor line (in the ECM) 	<ul style="list-style-type: none"> • Engine operates normally (Simulate using numerical values; 25 °C/77 °F)
12	Blinks	P0200	<ul style="list-style-type: none"> • Loose or poor contact on injector connector • Open or short circuit in injector wire • Faulty injector 	<ul style="list-style-type: none"> • Engine does not start
21	Blinks	P0130	<ul style="list-style-type: none"> • Loose or poor contact on O2 sensor • Open or short circuit in O2 sensor wire • Faulty O2 sensor 	<ul style="list-style-type: none"> • Engine operates normally
54	Blinks	P1000	<ul style="list-style-type: none"> • Loose or poor contact on bank angle sensor connector • Open circuit in bank angle sensor wire • Faulty bank angle sensor 	<ul style="list-style-type: none"> • Engine starts but stops after few seconds.

(*) Warning unit

(**) Generic diagnosis tool (DST)

Electrical servicing

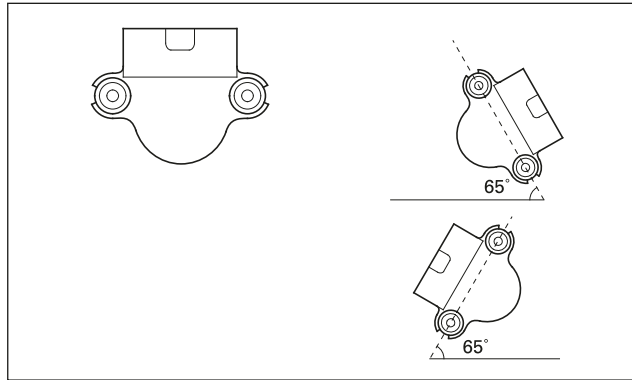


- (1) SCREWS
- (2) BANK ANGLE SENSOR

Bank angle sensor inspection

Remove the electric stay assembly from the frame (page 6-2).

Remove the screws and bank angle sensor from the sensor bracket.



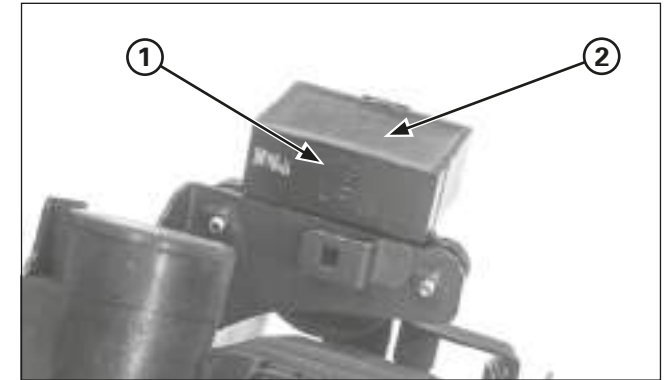
Connect the bank angle sensor 3P (Natural) connector. With the arrow mark on the bank angle sensor facing up, start the engine.

Incline the bank angle sensor approximately 65 degrees to the left or right, make sure that the engine stops after few seconds.

If the engine stops, the bank angle sensor is normal. If the engine does not stop, replace the bank angle sensor.

With the arrow/UP mark on the bank angle sensor facing up again, restart the engine.

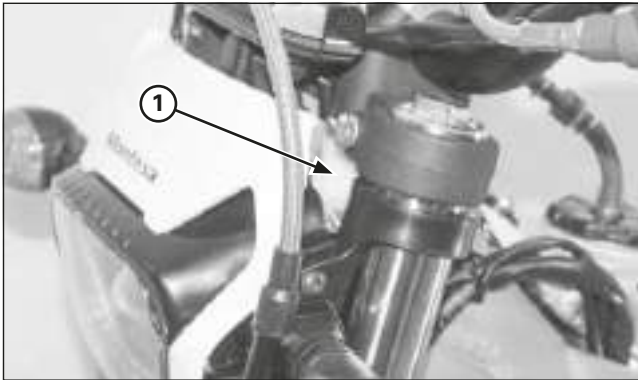
The engine starts, the bank angle sensor is normal.



- (1) ARROW/UP MARK
- (2) BANK ANGLE SENSOR

Install the bank angle sensor in the reverse order of removal.

Install the bank angle sensor with its arrow/UP mark facing up as shown.



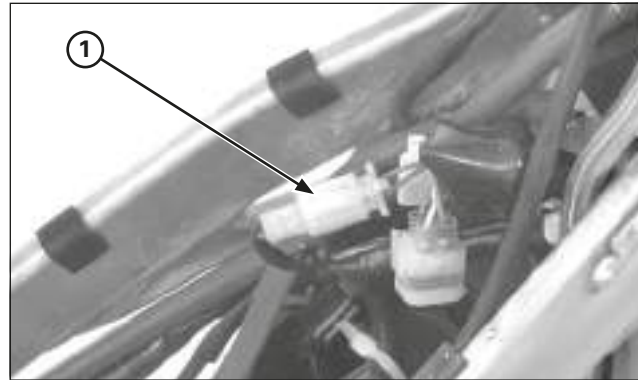
(1) CONNECTORS

Engine stop switch inspection

Engine stop button inspection

Disconnect the engine stop button connectors. Check the engine stop button for continuity. There should be continuity only when the engine stop button is pushed.

Replace the switch if it is out of specification.



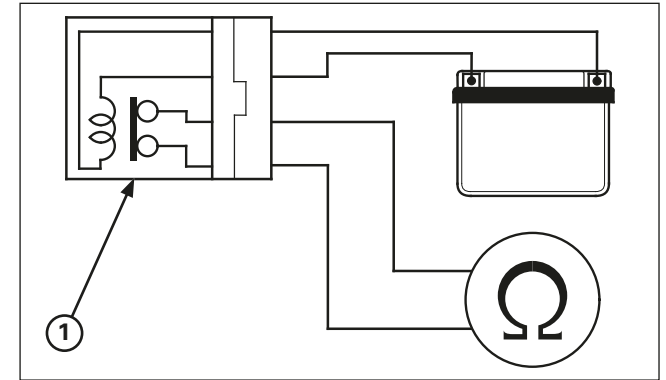
(1) 2P (NATURAL) CONNECTOR

Cooling fan system inspection

Fan motor inspection

Remove the fuel tank. Disconnect the fan motor 2P (Natural) connector.

Directly connect the 12 V battery to the fan motor 2P (Natural) connector terminals of the fan motor side. The fan motor is correct when the fan motor operate when the 12 V battery is connected. If the fan motor does not operate, replace the fan motor assembly.



(1) FAN MOTOR RELAY

Fan motor relay inspection

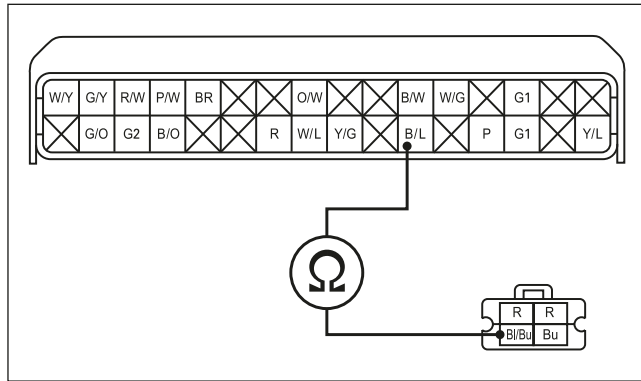
Remove the fan motor relay. Connect the ohmmeter to the fan motor relay connector terminals.

Connection: Red – Blue

Connect the 12 V battery to the following fan motor relay terminals.

Connection: Red – Black/Blue

There should be continuity only when the 12 V battery is connected. If there is no continuity when the 12 V battery is connected, replace the fan motor relay.

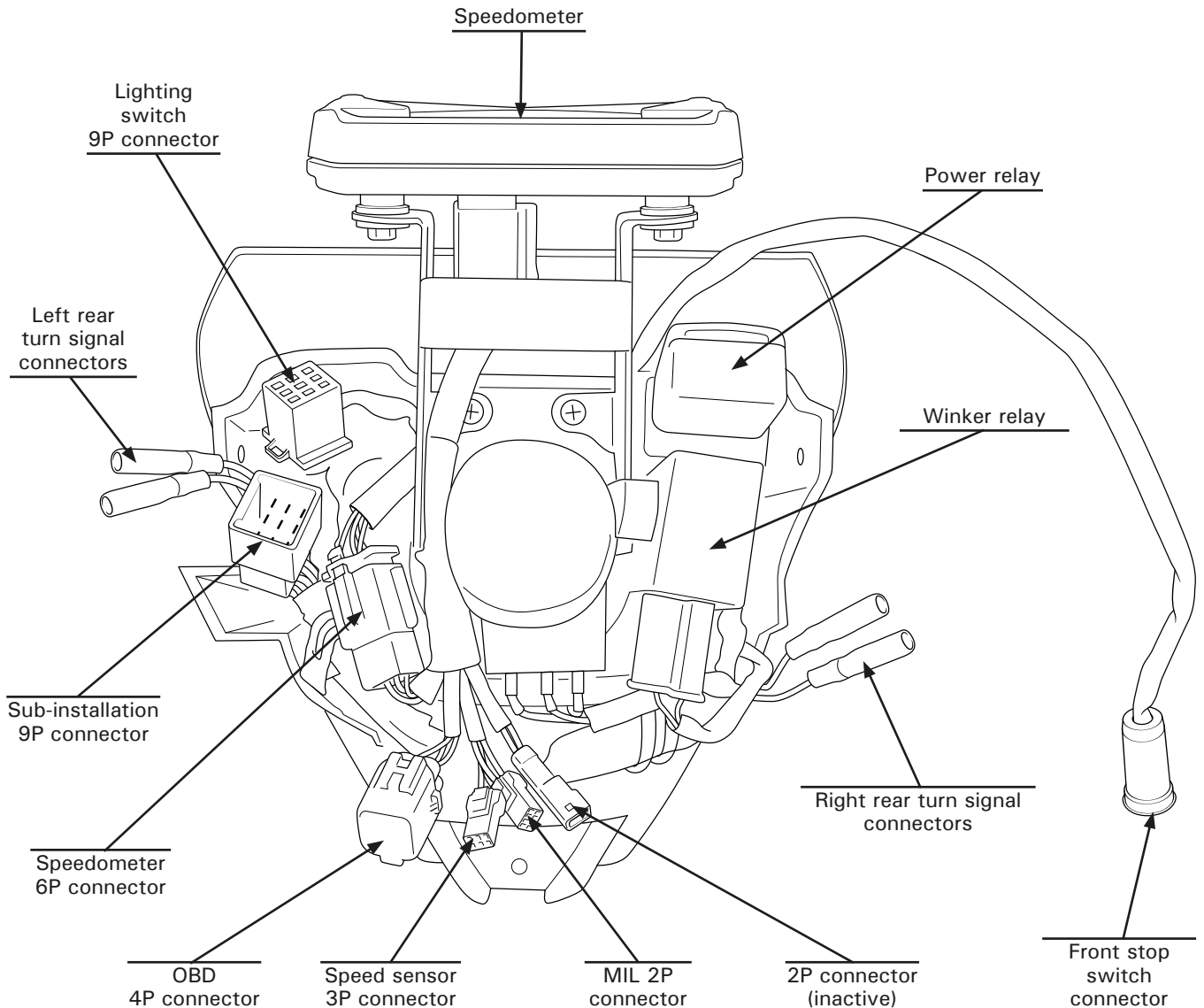


Wire harness inspection

Check for continuity of the Black/Blue wire between the fan motor relay 2P (Natural) connector and ECM 32P (Black) connector. There should be continuity. If there is no continuity, repair or replace the wire harness.

Chapter lights / instruments / switches (ED/2ED)

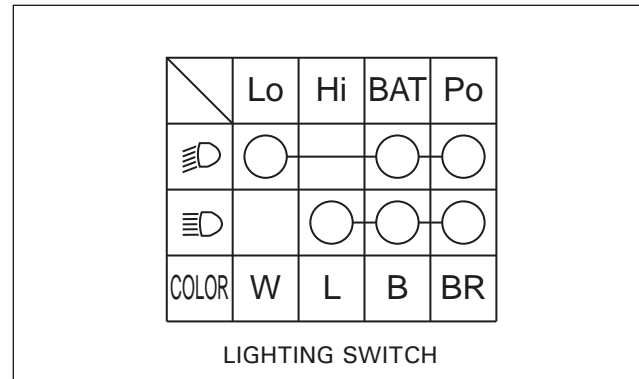
System location



Servicing information

- Bear in mind the following when replacing the front headlight bulb.
 - Use clean gloves when replacing the bulb. Do not touch the front headlight bulb with your fingertips, since this could produce hot spots on the bulb and cause it to break.
 - If you touch the bulb with your bare hands, clean it with a cloth moistened with alcohol to prevent its early failure.
- Ensure that you replace the dust cover after changing the front headlight bulb.
- The bulb for the front headlight gets very hot when it is on and remains hot for a while after the front headlight has been turned off. Ensure that you leave it to cool before carrying out any maintenance work.
- Continuity checks can be carried out using the switches on the motorcycle.
- The following colour codes are used throughout this section.

COLOUR CODES	
B	Black
Y	Yellow
L	Blue
G	Green
R	Red
W	White
V	Violet
BR	Brown
O	Orange
SB	Light blue
LG	Light green
P	Pink
GR	Grey



Checks:

If the engine starts but the front headlight or the position light do not work, check the following:

- Bulb blown or not of the specified wattage.
- Loose connector.

Start the engine and check the voltage between the following terminals of the connector 9P (white) on the harness side:

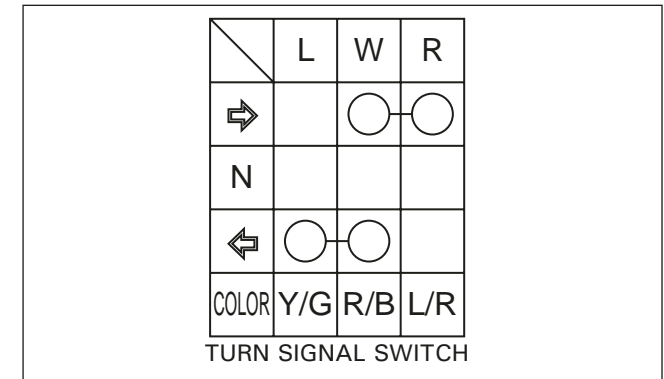
Connection: Black (+) and Ground (-)
Standard: 12V approximately.

If there is no voltage, check the following:

- Open circuit in the black wire between the ignition relay and the connector 9P (white) on the handlebar.

If there is voltage, disconnect the connector 9P from the left switch on the handlebar.

Check the continuity between the terminals in each switch position, as shown in the table.



Indicator light/Indicator light relay

Checks:

If the engine starts but the indicator lights do not work, check the following:

- Bulb blown or not of the specified wattage.
- Loose connector.
- Operation of the indicator light switch:

Remove the housing for the upper headlight. Disconnect the connector 9P from the left switch on the handlebar.

Check the continuity between the terminals in each switch position, as shown in the table.

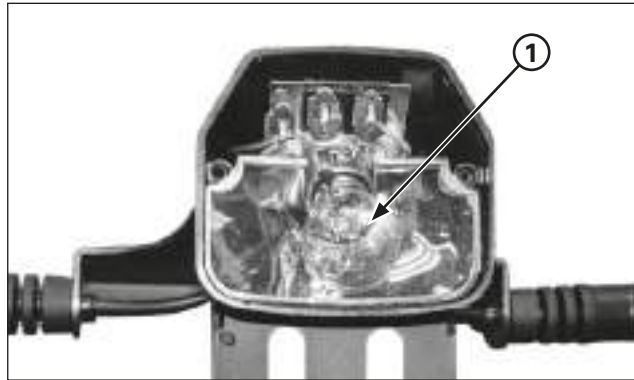
If the previous elements are working properly, remove the housing for the upper headlight and disconnect the connector 2P white from the indicator light relay.

Start the engine and check the voltage between the following terminals of the connector on the harness side:

Connection: Red/Black (+) and Ground (-)
Standard: 12V approximately.

If there is no voltage, check the following:

- Open circuit in the Red/Black wire between the indicator light relay 2P (white) and the ignition relay.

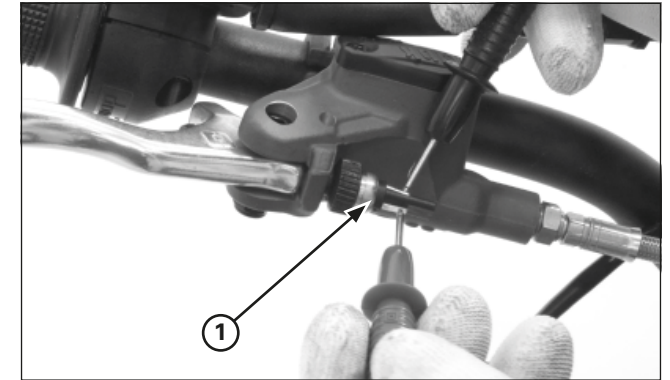


(1) BRAKE LIGHT LAMP

Brake light.

If the engine starts but the brake light does not work, check the following:

- Bulb blown or not of the specified wattage.
- Loose connector.
- Open circuit in the Black wire between the ignition relay and the brake switch.



(1) 2P CONNECTOR FOR THE BRAKE LIGHT SWITCH

Brake light switch.

Front:

Disconnect the connector 2P from the front brake light switch.

There should be continuity with the brake lever applied, and there should be none when this lever is not applied.

Checking indicator line:

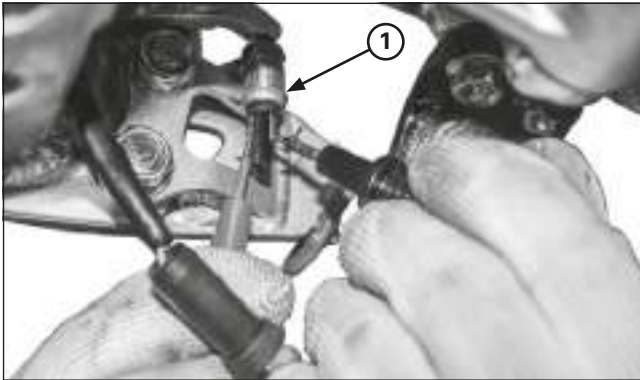
Connect, when shorted, the terminals of the connector 2P (white) of the indicator relay with a jumper wire.

Connection: Red/Black – Black

Start the engine and move the indicator switch to position \updownarrow or \downarrow .

Check that the indicator lights are working.

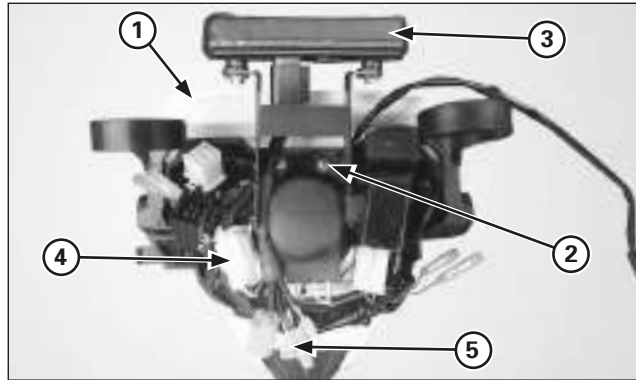
- If the indicator lights come on, replace the indicator relay with one that you know is working correctly and carry out the checks again.
- If the indicator lights are not working, check to see if there is an open circuit in:
 - Yellow/green wire (left side)
 - Blue/red wire (right side)
 - Green wires for the indicators.



(1) CONNECTOR 2P FROM THE REAR BRAKE LIGHT SWITCH.

Rear:

Disconnect the connector 2P from the rear brake light switch.
There should be continuity with the brake pedal applied, and there should be none when this pedal is not applied.



(1) HOUSING FOR THE UPPER HEADLIGHT
(2) BOLTS
(3) SPEEDOMETER
(4) CONNECTOR 6P
(5) CONNECTOR 3P

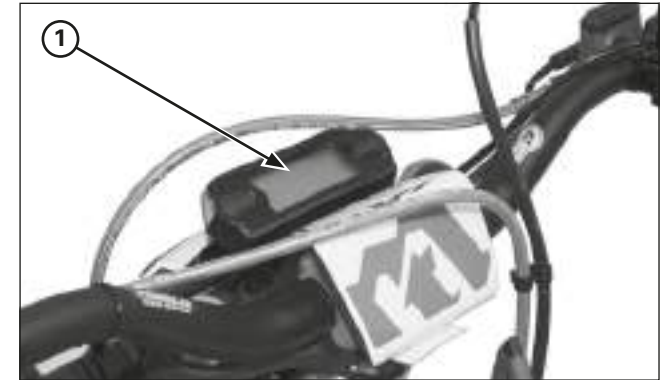
Speedometer

- Remove the housing for the upper headlight.
- Remove the screws and the speedometer
- Disconnect the connectors 6P (white) and 3P (white) from the speedometer.

Carry out the installation in the reverse order to removal.

Torque:

2 Pinch bolts for the speedometer: 1.0 N·m (0.1 kgf·m)



(1) SPEEDOMETER

Checks:

Check for loose or defective contacts in the connectors 6P and 3P of the speedometer.

When starting the engine, check that the speedometer light comes on.

If the speedometer does not work at first, check the power lines and ground for the speedometer.

If the speedometer works initially but later does not move when in motion, check the system for the speed sensor.

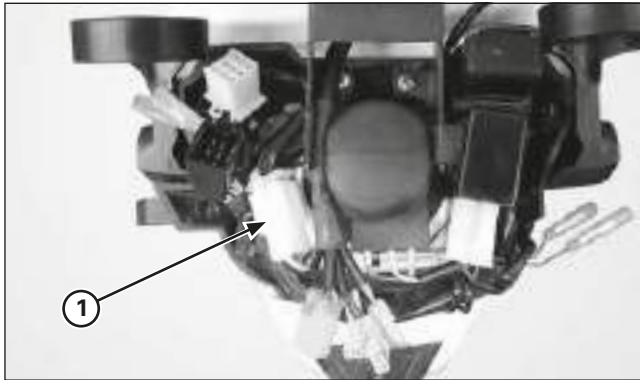
Checking the power/ground lines

- Remove the speedometer.

NOTICE

Do not disconnect the connector 6P on the speedometer during the checks.

With the connector 6P of the speedometer connected, check the following in the connector on the harness side.



(1) CONNECTOR 6P

Power input line

Measure the voltage between the connector 6P of the speedometer and the ground.

Connection: White/Red(+) and Ground (-)

With the engine on, around 12V should be received.

If there is no voltage, check the existence of an open circuit in the White/Red wire.

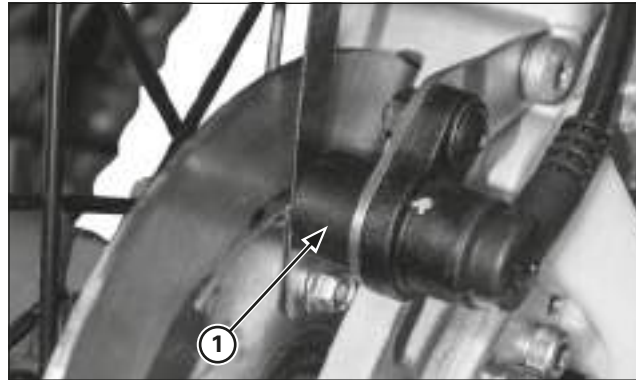
Ground line

Measure the continuity between the connector 6P of the speedometer and the ground.

Connection: Green and Ground

There must be continuity at all times.

If there is no continuity, check the existence of an open circuit in the green wire.



(1) SPEED SENSOR

Speed sensor

System check

NOTICE

Before starting this inspection, check the inspection of the speedometer system.

Checking the air gap

Safely support the motorcycle with a lifting device or equivalent and raise the wheel off the ground.

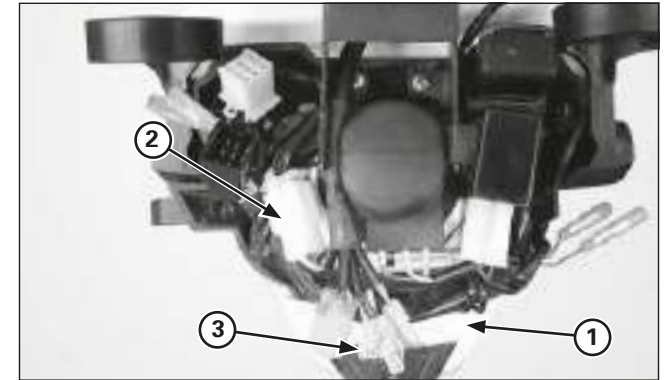
Measure the gap (air gap) between the sensor and the pulse generator ring at different points by turning the wheel slowly.

It must be within the specification.

Standard: 0.5 – 1.5 mm (0.031 – 0.035 in)

The air gap cannot be adjusted.

If it is not within the specification, check whether there are deformities, damage or if any of the parts assembled are loose.



(1) HOUSING FOR THE UPPER HEADLIGHT
(2) CONNECTOR 6P
(3) CONNECTOR 3P

Checking the speed sensor

Remove the housing for the upper headlight.

Check if there are loose or defective contacts in the connector 3P (white) of the speed sensor.

Connect the connector 3P (white) of the speed sensor.

Start the engine.

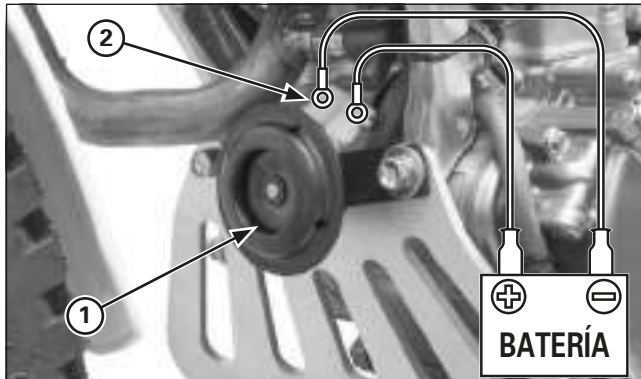
Measure the voltage between the terminals of the connector 3P (white) of the speed sensor on the wire side.

Connection: Red (+) and Black (-)
Standard: 5V.

If the standard voltage appears, replace the speed sensor.

If there is no standard voltage, check the following:

- The blue wire in case there is an open circuit.
- The red wire in case there is an open circuit.
- Speedometer.



(1) HORN
(2) CONNECTORS

Horn

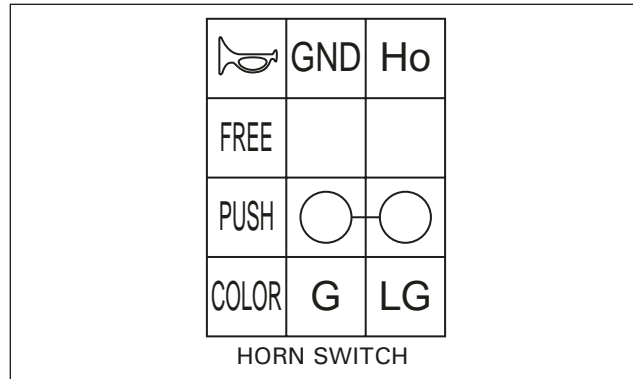
Checks:

If the engine starts but the horn does not work, check the following:

- Loose connection.

Start the engine and check the voltage between the following terminals of the connector 9P (white) on the harness side:

Connection: Black (+) and Ground (-)
Standard: 12V approximately.



If there is no voltage, check the following:

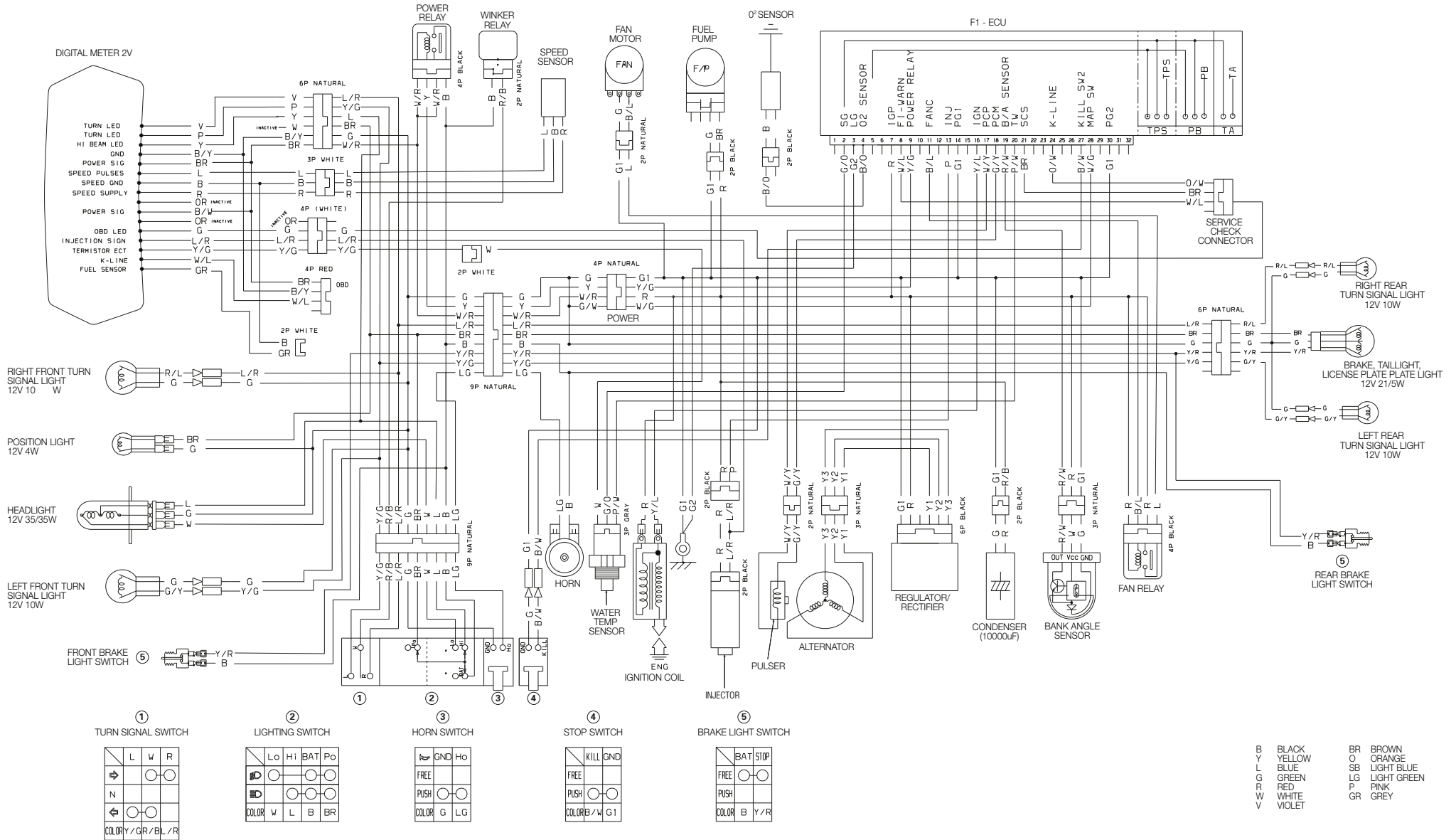
- Open circuit in the Black wire between the ignition relay and the connector 9P (white) on the handlebar.

If there is voltage, check the continuity between the terminals in each switch position, as shown in the table.

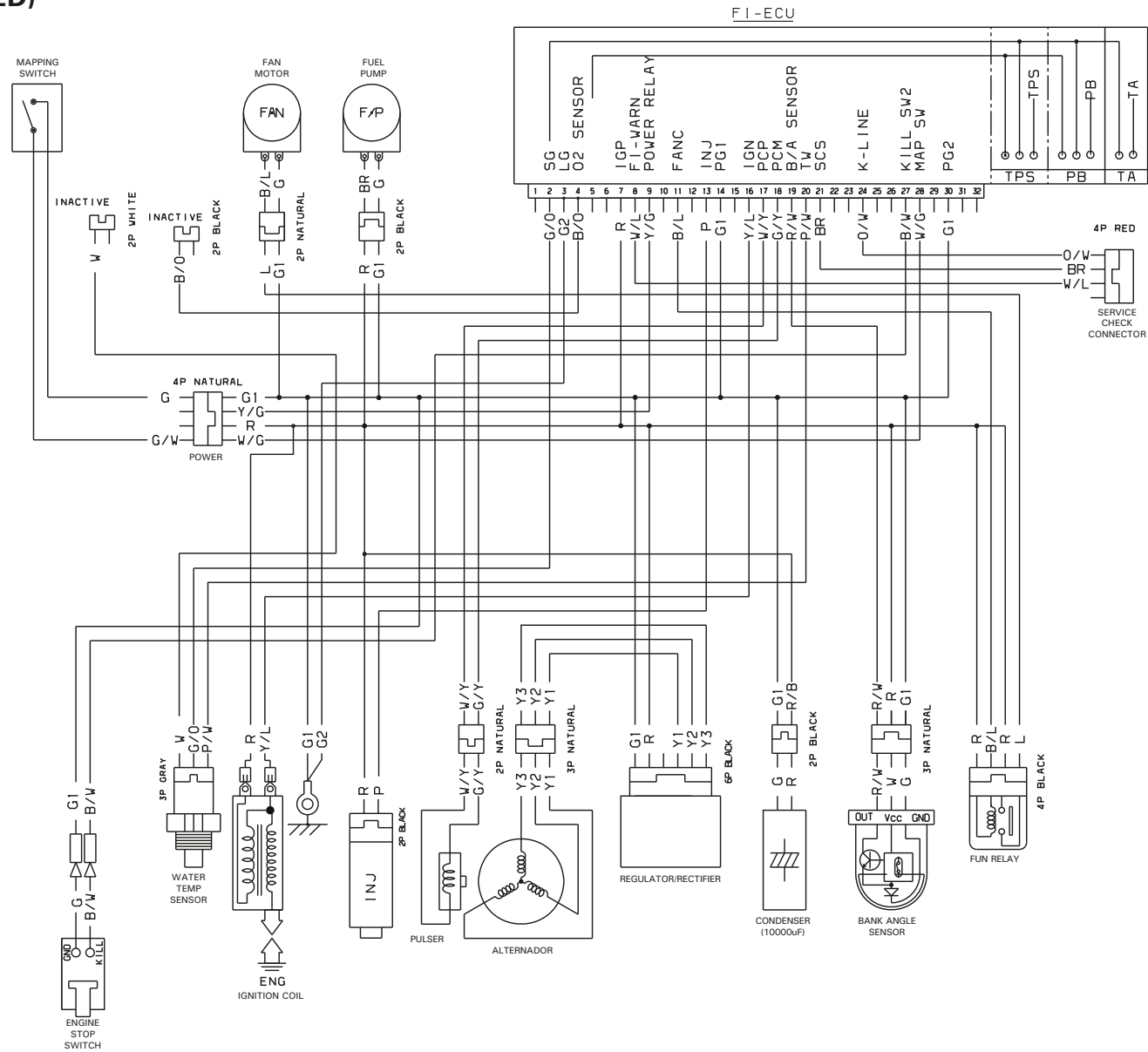
Disconnect the horn's connectors.
Connect the 12 V battery to the horn's terminals.
The horn is working properly when it makes a noise when the 12 V battery is connected to its terminals.

Electrical servicing

Wiring diagram (ED/2ED)



Wiring diagram (3ED/4ED)



Memo



Printed in Spain



62NN4PEMH