



**KYMCO**

**PEOPLE**

**50 & 150**



***OWNER'S MANUAL***

Do not remove this Owner's Manual from the vehicle. Read this manual carefully before operating the vehicle, as it contains important safety information.

Read this manual carefully.



This Owner's Manual contains important information on the safety, operation and maintenance of your KYMCO scooter.

Anyone who operates your scooter should carefully read and understand the contents of this manual before riding the scooter.

For your safety, understand and follow all of the warnings contained in this Owner's Manual and the labels applied to your scooter.

This Owner's Manual should be considered a permanent part of the vehicle. Keep it with your scooter at all times.

**ON-ROAD USE ONLY** This scooter has been designed to be used on the road.

Particularly important information is called out in this manual by the following icons and notations:



The SAFETY ALERT symbol with the exclamation point in the triangle means ATTENTION! BE ALERT! YOUR SAFETY CAN BE AFFECTED.



Failure to follow instructions associated with a WARNING symbol could result in severe injury or death to the rider, a passenger, a bystander, or a person inspecting or repairing the scooter.



A CAUTION symbol indicates that special precautions must be taken to avoid damaging the scooter.



The NOTE symbol indicates key information about a procedure or clarifies an operation.

## California Proposition 65



This product contains or emits chemicals known to the State of California to cause cancer and birth defects or other reproductive harm.

# TABLE OF CONTENTS



Manual Icon Legend .....	(inside of front-cover)	
CA Prop 65 Warning .....	(inside of front-cover)	
Table of Contents .....	1	
<b>SECTION 1 - SAFETY .....</b>	<b>2 - 6</b>	
Foreword .....	2	
Scooter Safety .....	3 - 4	
Load Limits & Guidelines .....	5	
Accessories & Modifications .....	6	
<b>SECTION 2 - CONTROLS &amp; FEATURES .....</b>	<b>7 - 17</b>	
Locations of Parts & Controls .....	7 - 8	
Vehicle Identification Numbers .....	9	
Keys .....	10	
Ignition Switch & Steering Lock .....	10 - 11	
Right-hand Handlebar Switch .....	11	
Engine-stop Switch .....	11	
Electric Start Button .....	11	
Left-hand Handlebar Switch .....	12	
Headlight Dimmer Switch .....	12	
Turn Signal Switch .....	12	
Horn Button .....	12	
Under-seat Storage Compartment .....	13	
Helmet Hooks .....	13 - 14	
Main Stand .....	14	
Front Luggage Box .....	16	
Instruments .....	15 - 16	
Clock .....	16	
Rear Shock Absorbers .....	17	
Passenger Foot Rests .....	17	
<b>SECTION 3 - OPERATION .....</b>	<b>18 - 38</b>	
Break-in Recommendations .....	18 - 19	
Tire Break-in .....	19	
Troubleshooting .....	19	
Pre-ride Inspection .....	20 - 30	
Engine Oil Inspection .....	21	
Tire Inspection .....	21 - 22	
Fuel Level / Filler Cap .....	23	
Brake Inspection .....	24 - 27	
Steering & Handlebar Inspection .....	27	
Instrument Inspection .....	28	
Horn & Lights Inspection .....	28 - 29	
Chassis Inspection .....	29 - 30	
Starting the Engine (electric start) .....	30 - 32	
Starting the Engine (kick start) .....	32	
Riding Your Scooter .....	33 - 37	
Parking Your Scooter .....	37 - 38	
<b>SECTION 4 - MAINTENANCE .....</b>	<b>39 - 58</b>	
Importance of Maintenance .....	39	
Maintenance Schedule .....	40 - 41	
Tires .....	42	
Tire Pressure .....	42	
Engine Oil .....	43	
Engine Oil Level Inspection & Change .....	43 - 44	
Transmission Fluid Change .....	45	
Air Filter Maintenance .....	46	
Spark Plug .....	47	
Fuel System .....	48	
Battery .....	48 - 50	
Fuses .....	50	
Wire & Cable Covers .....	51	
Brake Fluid Level Inspection .....	51 - 52	
Brake Lever & Shoe Adjustment .....	52	
Cleaning Your Scooter .....	53 - 54	
Storage .....	55 - 56	
Maintenance Record .....	57 - 58	
Specifications (People 50) .....	59	
Specifications (People 150) .....	60	
Emission - KYMCO Clean Air System .....	61	
Emission Information & EPA Warranty .....	62	
KYMCO Limited Scooter Warranty .....	63	
Index .....	64	
Identification Numbers Record .....	(inside of back-cover)	

# SECTION 1 - FOREWORD & SAFETY INTRODUCTION



Thank you for purchasing this KYMCO People scooter, and welcome to the KYMCO riding family.

Please read this Owner's Manual carefully before riding so that you will be thoroughly familiar with the proper operation of your scooter's controls, its features, its capabilities, and its limitations.

To ensure a long, trouble-free life for your scooter, be sure to provide it with proper care and maintenance as set forth in this manual.

For replacement parts and accessories, you should always use genuine KYMCO products, as they have been specially designed for your vehicle and manufactured to meet KYMCO's demanding standards.

Keep this Owner's Manual aboard your scooter at all times, so that you can refer to it whenever you need information. This manual should be considered a permanent part of the scooter, and should remain with the scooter when it is sold.

All information, illustrations, photographs and specifications contained in this manual are based on the latest product information available at the time of publication. Due to improvements or other changes, there may be information in this manual that differs slightly from your vehicle. KYMCO reserves the right to make product and publication changes at any time, without notice, and without incurring any liability.

## IMPORTANT SAFETY INFORMATION

Your scooter can provide you with many years of service and pleasure if you take responsibility for your own safety and understand the challenges that you can meet on the road. There is much that you can do to protect yourself when you ride. You will find many helpful recommendations throughout this manual. Here are some very important safety tips:

### **Wear a helmet**

Scooter safety equipment starts with a quality helmet. One of the most serious injuries you can suffer in a crash is a head injury. Always wear a properly approved helmet. You should also wear suitable eye protection.

### **Make yourself easy to see**

To make yourself more visible, wear bright, reflective clothing; position yourself so other drivers can see you; signal before turning or changing lanes; and use your horn when it will help others notice you.

### **Know your limits**

Ride within the boundaries of your own skill at all times. Knowing these limits and staying within them will help you avoid accidents.

### **Keep your scooter in safe condition**

For safe riding, it is important to inspect your scooter before every ride and perform all recommended maintenance. Never exceed load limits, and only use accessories that have been approved by KYMCO for this scooter.

### **Inspect your scooter before riding**

Do not forget to perform an entire safety inspection to ensure your, and your passenger's safety, before each ride.

### **Be extra safety conscious on bad weather days**

Riding on bad weather days, especially wet ones, requires extra caution. Braking distance can double on a rainy day. Stay off of painted surfaces, manhole covers and greasy appearing areas on the pavement, as they can be especially slippery. Use extreme caution at railway crossings and on metal gratings and bridges. Whenever you are in doubt about the road conditions, slow down.

### **Modification**

Modification of your scooter, or removal of original equipment may render the vehicle unsafe or illegal. Obey all applicable equipment regulations in your area.

## PROTECTIVE APPAREL

For your safety, always wear an approved motorcycle or scooter helmet, eye protection, boots, gloves, long pants, and a long-sleeved shirt or jacket whenever you ride your scooter.

### Helmets and protection

Your helmet is your most important piece of riding gear because it offers the best protection against head injuries. Your helmet should fit your head comfortably and securely. Always wear a face shield or goggles to protect your eyes and aid your vision.

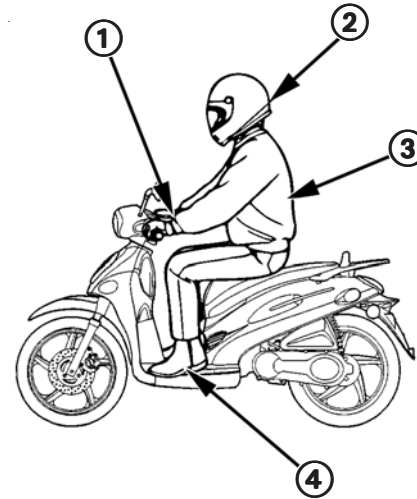
### Additional riding gear

In addition to a helmet and eye protection, you should also use:

- Sturdy boots with nonslip soles to help protect your feet and ankles
- Leather gloves to keep your hands warm and help prevent blisters, cuts, burns and bruises
- A motorcycle or scooter riding suit or jacket that has been designed for comfort, as well as protection. Bright colored and reflective clothing can help make you more noticeable in traffic. Be sure to avoid loose clothing that can get caught on any part of your scooter.

### WARNING

Not wearing a helmet increases your chance of serious injury or death in a crash. Be sure you and your passenger always wear an approved motorcycle helmet that fits properly.



- ① Wear gloves and use both hands to grasp the handlebar when riding
- ② Always wear a helmet and eye protection
- ③ Wear bright or reflective clothing. Clothes should fit properly (not too tight or loose)
- ④ Footwear should be the proper size, have low heels, and offer ankle protection

### WARNING

You should also wear eye protection and other protective apparel when you ride.

These general guidelines may help you decide how to add accessories to your scooter and how to load it properly.

## Load limits

These specifications are the load limits for your People scooter. Overloading the scooter will affect its stability and handling. Be sure to stay within the limits given below:

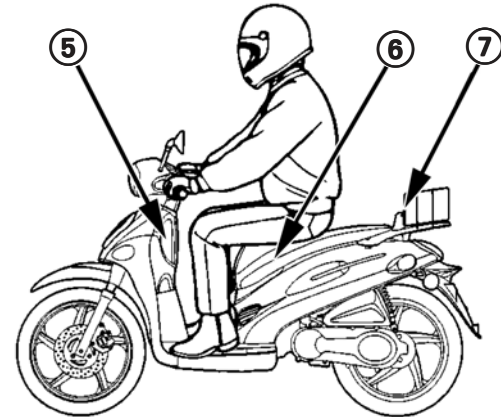
Maximum weight capacity (Includes the weight of the rider, passenger, cargo and accessories): ..... 330 lb (150 kg)

Maximum cargo weight: ..... 36.3 lb (16.5 kg)

Front luggage box ⑤ weight limit: ..... 3.3 lbs (1.5 kg)

Under-seat compartment ⑥ weight limit: ... 22 lbs (10 kg)

Rear carrier (rack) ⑦ weight limit: ..... 11 lbs (5 kg)



## Loading guidelines

Improperly loading your scooter will affect its stability and handling. You should ride at reduced speeds when you are carrying a passenger or cargo. Follow these guidelines whenever you carry a passenger or cargo:

- Check that both tires are properly inflated
- To prevent loose items from creating a hazard, make sure all cargo is securely tied down before you ride
- Place cargo weight as close to the center of the scooter as possible
- Balance cargo weight evenly on both sides of the scooter

### WARNING

Overloading or improper loading will affect vehicle handling, stability and braking, and can lead to an accident. Never exceed the stated load capacity of your scooter. Cargo should be properly distributed and securely attached. Reduce speed when carrying cargo. Allow greater distances for braking.

There is a large variety of accessories available to KYMCO scooter owners. KYMCO cannot control the quality or suitability of accessories you may wish to purchase. But the addition of unsuitable accessories to your scooter can lead to unsafe operating conditions. It is not possible for KYMCO to test each accessory on the market, or all of the combinations of the available accessories. Your KYMCO dealer will be happy to assist you in selecting quality accessories and see that they are installed correctly.

**Use extreme caution when selecting and installing the accessories for your scooter.**

#### **No modifications**

KYMCO strongly advises you against removing any original equipment or modifying your scooter in any way that would change its design or operation.

#### **⚠ WARNING**

Improper accessories or modifications can make your scooter unsafe and can lead to an accident.

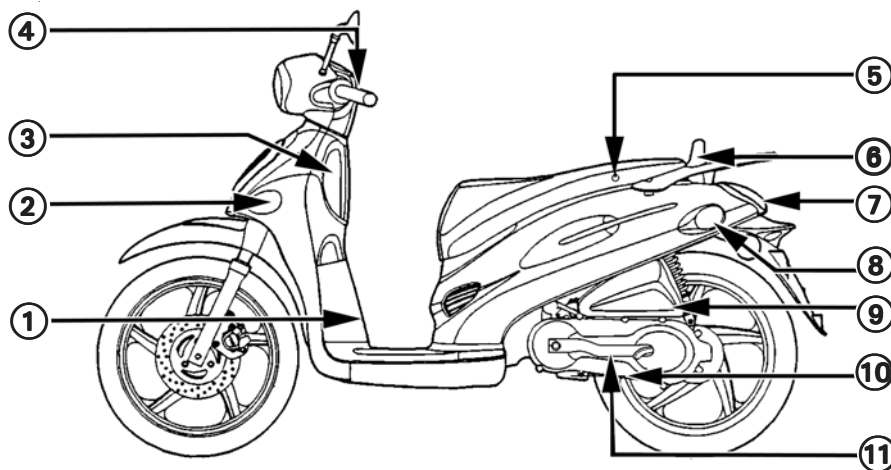
Never modify your scooter through the improper installation or use of accessories. All parts and accessories added to this vehicle should be genuine KYMCO or equivalent components designed for use on this scooter.

All accessories should be installed and used according to the product's instructions. If you have any questions, consult an authorized KYMCO dealer.



## SECTION 2 - CONTROLS & FEATURES

### Location of parts & controls



① VIN (Vehicle Identification Number -or- Frame Number)

② Left front turn signal

③ Front glove box

④ Turn signal switch, headlight dimmer switch, horn button

⑤ Seat lock

⑥ Rear carrier (rack)

⑦ Taillight/Brake light

⑧ Left rear turn signal

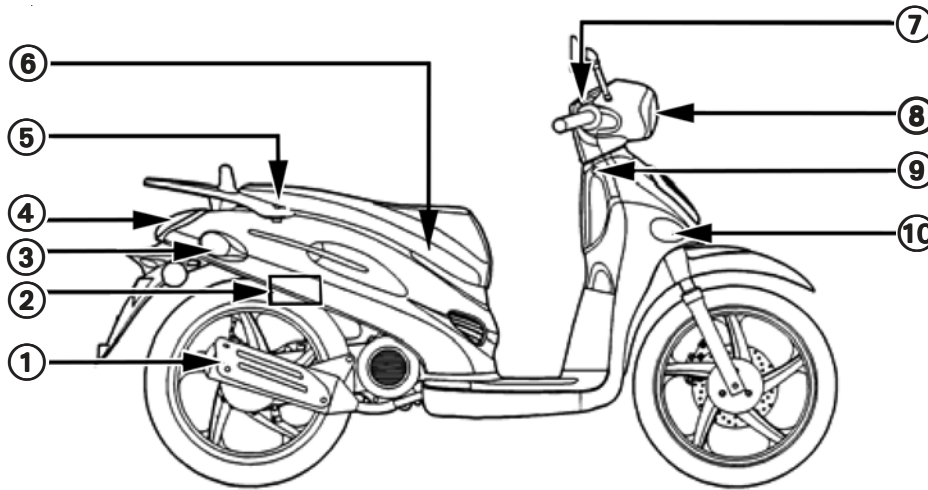
⑨ Air cleaner assembly

⑩ ESN (Engine Serial Number)

⑪ Kick-start lever

**NOTE:** Your scooter may differ slightly in appearance from the images in this manual.

## Location of parts & controls



① Exhaust muffer

② Battery (under seat)

③ Right rear turn signal

④ Taillight/Brake light

⑤ Fuel filler (under seat)

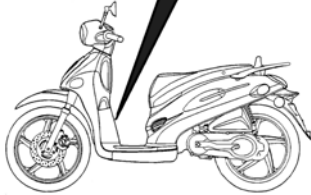
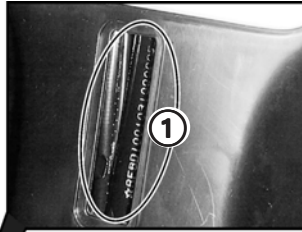
⑥ Under-seat storage compartment

⑦ Engine stop switch, starter motor button

⑧ Headlight

⑨ Ignition switch

⑩ Right front turn signal



## VEHICLE IDENTIFICATION NUMBERS

You scooter had identification numbers stamped into the frame and engine cases during manufacture.

### VIN (Vehicle Identification Number) or Frame Number

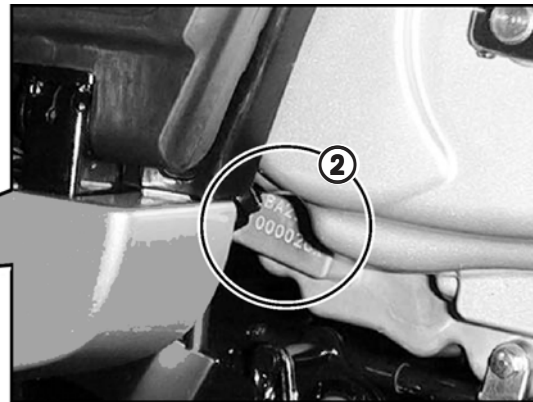
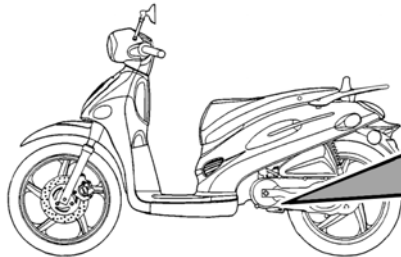
To view the VIN ①, remove the cover on the frame cover by releasing its tab with a flat-head screw driver.

### ESN (Engine Serial Number)

The ESN ②, is stamped on the left engine case.

### NOTE:

Write your scooter's VIN and ESN in the boxes provided in the inside, rear cover of this Owner's Manual.



## Keys

Your People scooter is supplied with two identical ignition switch keys. The ignition key operates the ignition switch, the steering lock, and is used to open the seat to gain access to the front luggage box and the under-seat storage compartment (to open the fuel filler cap).

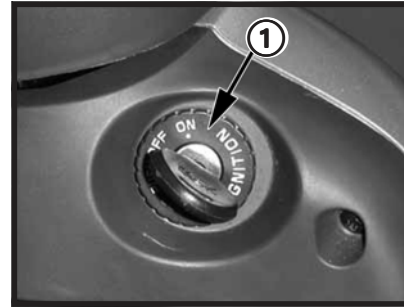
Key code tab



The keys have a unique code stamped on the tab supplied with the keys. This code is not stamped on the scooter and is not recorded in the vehicle's basic documentation for security reasons. Since this code is required if you need replacement keys, record this important code in the box provided on the inside, rear cover of this Owner's Manual.

## Ignition switch & Steering lock

Your People scooter is equipped with an ignition switch ① that can turn on or off the vehicle's electrical power supply, but can also lock the steering for security.



**ON:** In this position, electrical power is connected to start and operate the engine (the key cannot be removed).

**OFF:** In this position, electrical power is disconnected and the engine cannot start or operate (the key can be removed).

**LOCK:** In this position, the steering is locked, electrical power is disconnected, and the engine cannot start or operate (the key can be removed).

**NOTE:** Your scooter's keys may differ slightly in appearance from the images in this manual.

### Locking the steering

Turn the handlebar fully to the left. Press in and rotate the ignition switch key counterclockwise to the "LOCK" position. The steering will now be locked. Remove the ignition switch key.

#### CAUTION

After locking the ignition switch, turn the handlebar gently to confirm that the steering is locked. Do not park your scooter in a position that will interfere with vehicle or pedestrian traffic.

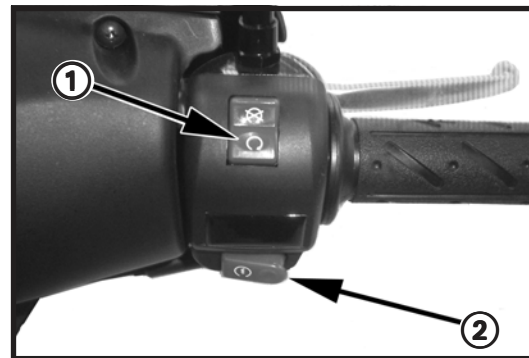
#### WARNING

Do not turn the ignition switch to the lock position when riding, as this could cause the steering to lock, and you could lose control of your scooter.

### Unlocking the steering

Insert and rotate the ignition switch key clockwise from the "LOCK" position to the "OFF" or "ON" position. The steering is now unlocked, and you may start and operate the scooter.

### Right handlebar switch



#### Engine stop switch ①:

The engine stop switch turns off the ignition, stopping the engine. The scooter's lights and horn still function.

#### Electric starter button ②:

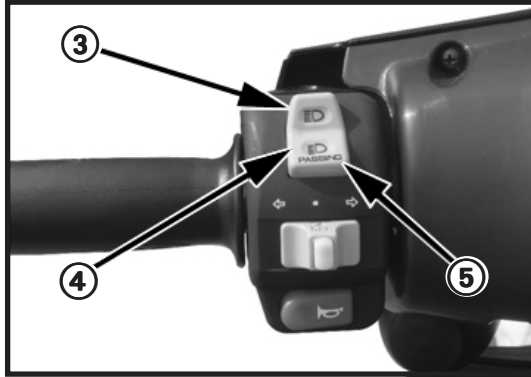
Press the electric starter button to activate the starter motor.

**NOTE:** The starter motor will not engage unless a brake lever is squeezed at the same time the starter button is pressed.

#### CAUTION

Do not operate the starter motor for more than five seconds at a time. To do so may cause the starter motor to over heat and be damaged. If the scooter fails to start immediately, check the fuel level and the battery condition, and allow the starter motor to cool before attempting to start the engine again.

## Left handlebar switch



### Headlamp switch -- UP ③:

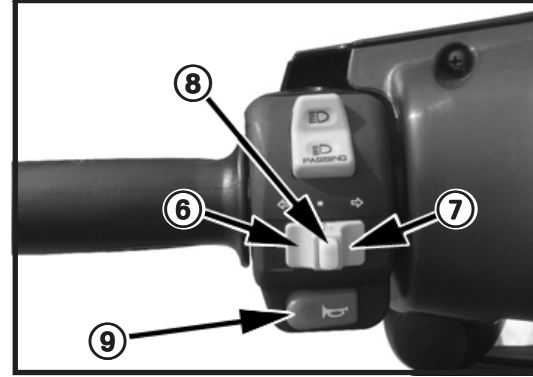
The upper switch position turns the headlight high beam on. The high beam indicator light on the dash is activated as well.

### Headlamp switch -- DOWN ④:

The lower switch position turns the headlight low beam on.

### Passing light button - PRESS DOWN ⑤:

When downward pressure is applied to the headlight rocker switch, the high beam is activated. When pressure is released, the low beam setting is restored. This enables you to rapidly flick high beam on and off to signal other vehicles that you wish to pass.



### Turn signal switch:

Use the turn signal indicator to signal to other traffic that you intend to turn or change lanes. The turn signal light on the dash will flash to indicate that the switch is engaged.

⑥ Slide the turn switch to the left to activate the left turn signal.

⑦ Slide the switch to the right to activate the right turn signal.

To cancel the turn signal, press down on the signal switch ⑧.

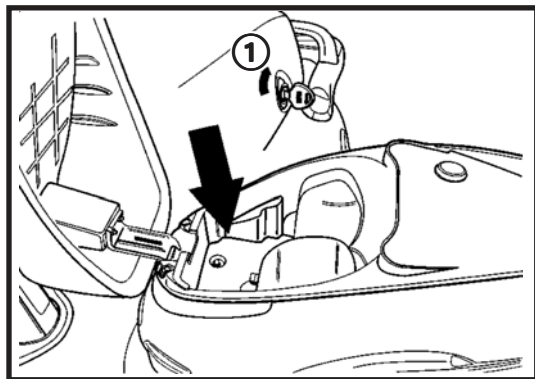
### Horn button ⑨:

Press the horn button to sound the horn.

**NOTE:** The horn will only sound when the ignition is "ON".

## Under-seat storage compartment

Your scooter is equipped with an under-seat storage compartment that permits you to secure cargo and other items.



To open the seat, insert the ignition switch key in the seat lock ① located on the left side of the seat, and rotate it clockwise. When the seat latch releases, lift up on the seat.

**Under-seat compartment weight limit: ..... 22 lbs (10 kg)**

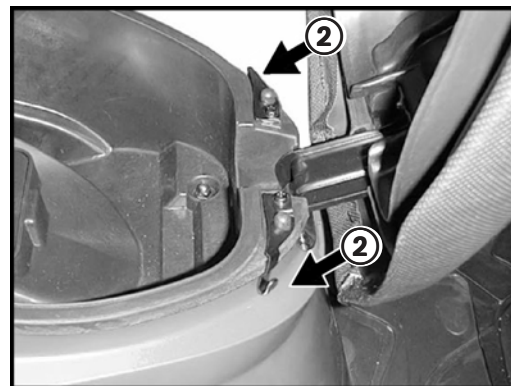
To close the seat, lower the seat and press down until it is secured by the latch. Gently lift up on the seat to make sure it is locked before riding.

## WARNING

Never exceed the maximum weight limit of the storage compartment, as vehicle handling and stability may be severely affected. Do not leave the ignition switch key under the seat.

## Helmet hooks

Your scooter has two helmet hooks ② allowing you to hang your helmet(s) outside of the under-seat storage compartment.



With the seat up, put the helmet's retaining ring onto the helmet hook. Lower and press down on the seat to lock it and secure the helmet in place. To remove the helmet, open the seat.

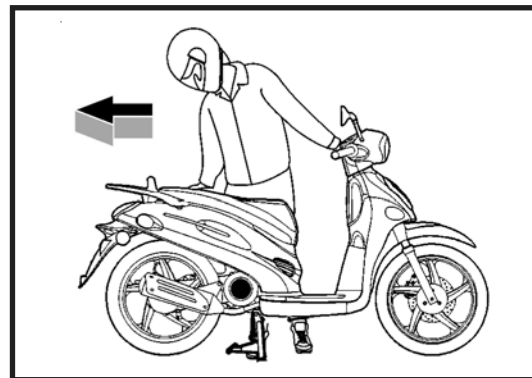
**⚠ WARNING**

Do not ride your scooter with a helmet hanging from a helmet hook, as this can interfere with your ability to control your scooter, and may cause an accident.

Engine heat may cause the under-seat storage compartment to become warm. Therefore, do not store any items in this compartment that are susceptible to heat damage, including but not limited to food or flammable materials.

**Main stand (center stand)**

Your People scooter is equipped with a main (center) stand.



To park your scooter on the main stand, stand on the left side of the scooter and grasp the handlebar with your left hand, while grasping the side of the rear rack with your right hand. Step down on the foot pad of the main stand with your foot, while pulling up and back on the rear rack. This lifting motion will allow the scooter to rock backwards, and up onto the main stand.

**⚠ CAUTION**

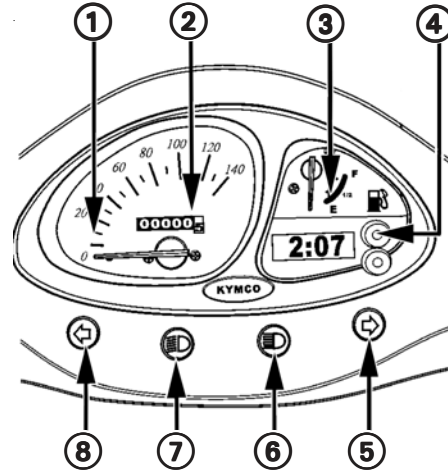
Always park your the scooter on firm, level ground to help prevent it from falling over. If you must park on an incline, aim the front of your scooter uphill.



## Instruments & Indicators

Your People scooter is equipped with a multifunction meter along with a indicator set. This multifunction meter includes an analog speedometer, an odometer, fuel level display, and a digital clock. The set also includes indicator lamps to alert you to headlight and turn signal functions.

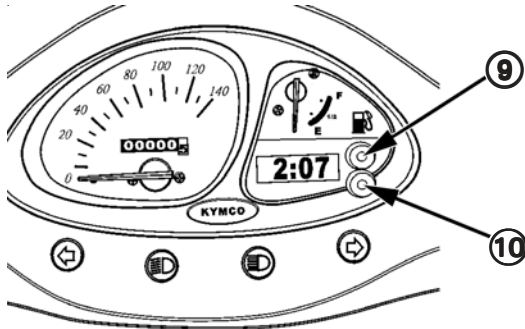
- ① **Speedometer:** Indicates the road speed in MPH (miles per hour).
- ② **Odometer:** Indicates the total riding mileage of the scooter.
- ③ **Fuel Gauge:** Indicates the amount of gasoline in the fuel tank. Refill the tank with unleaded gasoline before the needle reaches the "E" (empty) mark. (You should maintain the fuel level above the one-quarter mark above empty whenever possible).
- ④ **Clock:** Indicates the time (24-hour format) or the date.  
**Mode & Adjustment Buttons:** Used to adjust the clock's time and date setting.
- ⑤ **Right Turn Signal Indicator Light:** Flashes when the right turn signals are activated.



- ⑥ **High Beam Indicator Light:** This light is illuminated when the headlight high beam is activated.
- ⑦ **Low Beam Indicator Light:** This light is illuminated when the headlight low beam is activated.
- ⑧ **Left Turn Signal Indicator Light:** Flashes when the left turn signals are activated.

## Adjusting the clock time:

Turn the ignition switch "ON" and use the **Mode Button ⑨** and the **Adjustment Button ⑩** to adjust the clock's time setting.



1. The **Mode Button ⑨** will toggle the clock display between the "time" display or "date" display. Press the button momentarily to select which display you wish to adjust.
2. Press the **Adjustment Button ⑩** momentarily twice to change the display to the "Adjustment mode". The displayed digits that will be blinking can be adjusted.
3. Now, use the **Mode Button ⑨** to change the blinking digits. Press the button momentarily to select the desired number. Once you've made the desired change, use the **Adjustment Button ⑩** again to change to the next "blinking" digit you wish to change.

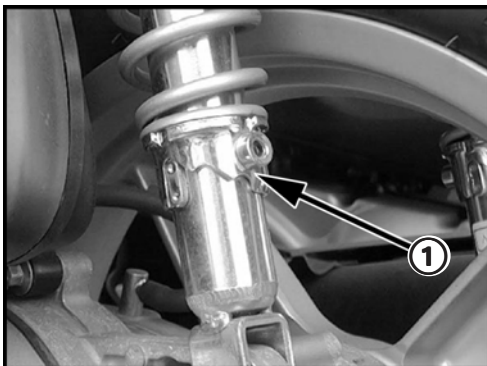
4. Again, use the **Mode Button ⑨** momentarily to cycle through the displayed digits until you reach the designated number.
5. Once you have made all of your desired changes, press both the **Mode Button ⑨** and the **Adjustment Button ⑩** simultaneously to exit the "Adjustment mode".
6. After your setting, you can use the **Mode Button ⑨** at any time to toggle the clock display between the "time" or "date" displays and follow the same steps to change the display.

### **WARNING**

**Do not adjust the clock setting while you are riding your scooter. This activity will distract you from safely and properly operating your scooter and can lead to an accident.**

## Rear shock absorbers

You can adjust the spring preload of your scooter's shock absorbers to match the load it will be carrying.



1. Insert the rod tool from the tool kit into the preload collar ① on each shock absorber and rotate the collar to increase or decrease the spring preload.
2. There are three steps on the spring preload collar. The center step "medium" is the standard setting. The longer step "hard", and the shorter step "soft", are optional settings based upon your load and riding preference.

### CAUTION

When adjusting the spring preload, rotate each shock absorber's collar to the same setting.

## Passenger foot rest

Your People scooter is equipped with foot rests ② that swing out for use when you are carrying a passenger.



### WARNING

Riding with a passenger will change the handling characteristics of your scooter. Allow for extra braking distance and use extra care when riding in traffic.

Be sure you and your passenger always wear approved and properly fitting motorcycle helmets. You and your passenger should also wear eye protection and other protective apparel when you ride.

### Break-in recommendations

The first 600 miles (1,000 km) of riding are the most important in the life of your scooter. Following proper break-in procedures during this time will help ensure maximum life and performance from your new scooter. Proper break-in operation allows the machined surfaces to polish each other and mate smoothly.

Your scooter's reliability and performance depend on your exercise of special care and restraint during the break-in period. It is especially important that you avoid operating the engine in a manner which could expose the engine parts to excessive heat.

The following guidelines should be followed during the break-in period:

#### Maximum throttle operation:

Initial 300 miles (600 km): ..... Less than 1/2 throttle

300 miles to 600 miles (1,000 km): ..... Less than 3/4 throttle

#### Vary the engine speed:

The engine speed should be varied and (not held at a constant rate) for long periods of time. This allows the parts to be "loaded" with pressure, and then "unloaded", allowing the parts to cool. This aids in the mating process of the engine and transmission components. Although it is essential that some stress be placed on these components during break-in to en-

sure that this mating process occurs. Do not, however, apply excessive load on the scooter's drive line.

#### Avoid constant low speed operation:

Operating the engine at constant low speed (light load) can cause parts to glaze and not seat in properly. Allow the engine to accelerate freely, without exceeding the recommended throttle openings.

#### Avoid using full throttle during the break-in period.

#### The initial service:

The 200 mile (300 km) initial service is the most important service your scooter will receive. **Take extra care to observe your scooter's initial service in a timely fashion.** During the break-in period, all of the engine components will have worn in, and all of the other parts will have seated in, so adjustments will be required. All fasteners will be tightened, and the contaminated engine oil will be replaced.

**NOTE: Completion of the 200 mile (300 km) initial service will ensure optimum service life and performance from your scooter. It is imperative that this service be performed in a timely fashion.**

### **⚠ CAUTION**

The 200 mile (300 km) service should be performed as outlined in the maintenance schedule section of this owner's manual. Pay particular attention to the cautions and warnings in the Maintenance Schedule section.

Unless you have formal training as a service technician and have access to KYMCO technical reference materials, it is strongly suggested that you have the initial service performed by a KYMCO dealer.

#### Break-in recommendation for new tires:

Just as it is necessary for you to follow proper break-in procedures to protect your engine and ensure its maximum life, the same holds true for your new tires. Wear-in the tread surface by gradually increasing your cornering lean angles over the first 100 miles (160 km). before attempting maximum lean angles. Avoid hard acceleration, hard cornering, and hard braking for the first 100 miles (160 km).

### **⚠ WARNING**

Failure to break in your tires may cause the tires to slip and could result in your losing control of the scooter.

Use extra care when riding on new tires. Perform proper break-in of the tires as described in this Owner's Manual, and avoid hard acceleration, hard cornering, and hard braking for the first 100 miles (160 km).

### Troubleshooting

It can be frustrating if your scooter fails to start, or stops running during your ride. In the rare instance this occurs, take a few moments to check the following items. This checklist covers some of the most common, simple problems which may arise, and which can be quickly resolved.



- ✓ Do you have enough gasoline in the fuel tank?
- ✓ Did you follow the correct procedure for starting the engine?
- ✓ Is the battery voltage low (you may need to kick start your scooter)?
- ✓ Is the main fuse in good condition?

NOTE: Use this Owner's Manual to check components and perform adjustments that are within your technical ability. If you cannot resolve the problem, do not hesitate to contact your KYMCO dealer for assistance.

## Pre-ride inspection (PRI)

For your safety, it is very important that you establish the following routine before every ride: Walk around your scooter checking each of the items set forth below. If you detect any problem, be sure to address it immediately, or have it corrected by your KYMCO dealer.

### **WARNING**

Improperly maintaining your scooter or failing to correct a problem before riding may cause a malfunction in which you or others can be seriously hurt or killed.

Always perform a pre-ride inspection before every ride and correct any problems.

1. Engine oil level: Add engine oil if required (page 21). Check for leaks.
2. Tires: Check condition and inflation pressure (pages 21 & 22).
3. Fuel level: Fill fuel tank when necessary (page 23). Check for leaks.
4. Front and rear brakes: Check operation, making sure there is proper free-play at the left lever, and that there is brake fluid in the front brake fluid reservoir (pages 24 through 27).

5. Steering: Check for smooth operation in all steering positions (page 27).
6. Instruments: Make sure the speedometer, fuel level gauge and indicator lights function (page 28).
7. Lights and horn: Check that headlight, tail/brake light, turn signals, indicators and horn function properly (pages 28 & 29).
8. Chassis: Check for overall proper function (pages 29 & 30).

### **CAUTION**

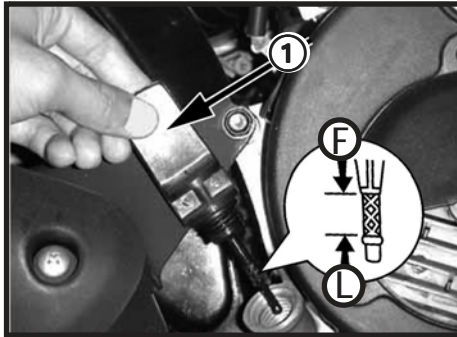
Performing pre-ride inspections does not take the place of regular maintenance. Follow the maintenance schedule recommendations on pages 40 - 41 of this manual.

After one month of use or 200 miles (300 km) of riding, whichever occurs first, contact your KYMCO dealer to perform an initial service on your scooter.

This initial service is the most important service in the life of your scooter, and includes checks and adjustments that will help ensure that your scooter operates efficiently and safely, and attains the longest possible life.

## PRI - Engine oil level inspection

NOTE: Park your scooter on the main stand, on level ground.



1. Unscrew the dip stick ①, remove it, and wipe it with a clean cloth.
2. Reinsert the dip stick until the threaded part of the dip stick touches the engine case. Do not thread the dipstick into the engine case.
3. Remove the dip stick again and inspect the oil level on the stick. The engine oil level should be above the "L" mark but no higher than the "F" mark. Add or remove oil as required.

### **CAUTION**

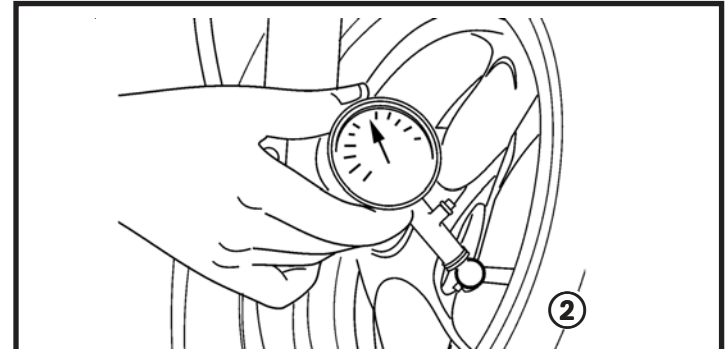
Do not overfill the engine with oil. Overfilling the engine can cause oil leaks and/or oil contamination of the air filter element. Always make sure the oil level is above the "L" mark but is no higher than the "F" mark.

### **WARNING**

Use extreme caution when performing the oil level inspection or any other checks if the scooter's engine has been recently operated. The engine oil, engine case and muffler can become very hot during scooter operation and creates a burn hazard.

## PRI - Tire inspection

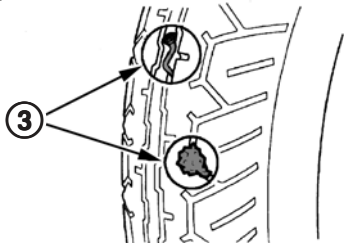
The condition of your scooter's tires is vital for operational efficiency and safety. Check the tires' inflation pressure ②, the tread depth, and for any damage before each ride.



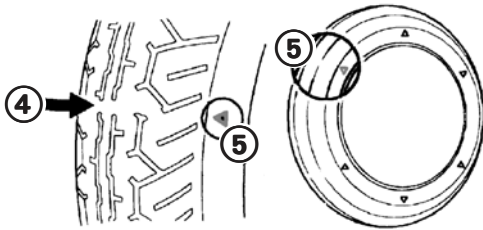
Front tire (rider only): .....	25.0 PSI	(1.75 kg/cm <sup>2</sup> )
Rear tire (rider only): .....	29.0 PSI	(2.0 kg/cm <sup>2</sup> )
Front tire (rider & passenger): ..	25.0 PSI	(1.75 kg/cm <sup>2</sup> )
Rear tire (rider & passenger): ....	32.0 PSI	(2.25 kg/cm <sup>2</sup> )

1. Measure and adjust the tire pressure when the tires are touching the ground (while no one is seated on the scooter).

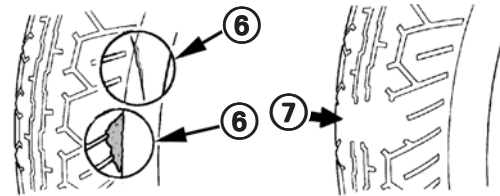
**NOTE:** Measure the pressure before riding, as the heat generated during operation may cause improper readings.



2. Inspect the tires for nails, screws and other objects ③ that may be imbedded into the rubber.



3. Check the tread depth ④ at the wear indicator points ⑤. If the tread is worn smooth at these points, the tire must be replaced immediately.



4. Check for damage ⑥ (blisters or cuts) in the side wall, or for significant flat spots ⑦ on the tires' tread. Replace the tire immediately if any damage of this type is present.

### **⚠ WARNING**

The tires on your scooter must be replaced if they:

- Leak air (even at a slow rate)
- Have any damage on the tread or side wall areas
- Have been damaged by intrusion of a foreign object, such as a nail
- Are worn as evidenced by the wear indicators

Failure to replace a tire in poor condition will cause an unsafe riding condition. Replace worn or damaged tires immediately for the safety of you and your passenger.

Consult your KYMCO dealer for tire repair or replacement service.

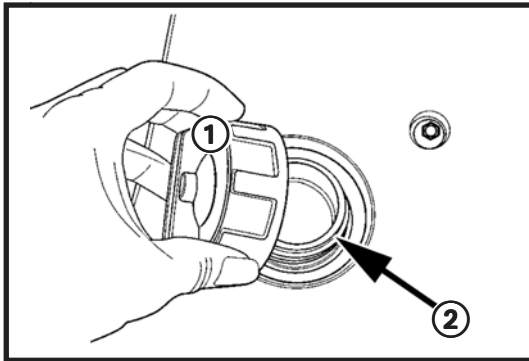


## PRI - Fuel level inspection / Refilling

When the fuel level gauge needle approaches "E" (indicating the tank is nearly empty), refill the tank with unleaded gasoline.

### To open the fuel filler cap:

1. With the engine "OFF", place the scooter on its main stand and open the seat (see page 12 of this manual).



2. Rotate the cap ① counterclockwise to access the fuel filler ②.
3. Add fuel (per the recommendations listed here).

### Fuel recommendation:

Use unleaded gasoline with a research octane number of 91 or higher. Unleaded gasoline will extend spark plug life. Whenever possible, maintain the fuel level at no less than 1/4 tank.



4. Replace the fuel filler cap ③ and secure it to the fuel filler by rotating clockwise. Close the seat.

### ⚠ CAUTION

Do not overfill the tank. There should be no fuel in the fuel filler neck. Excess fuel can contaminate the evaporative emission canister, resulting in poor driveability.

### ⚠ WARNING

Gasoline is highly flammable and explosive. You can be burned or seriously injured while handling fuel.

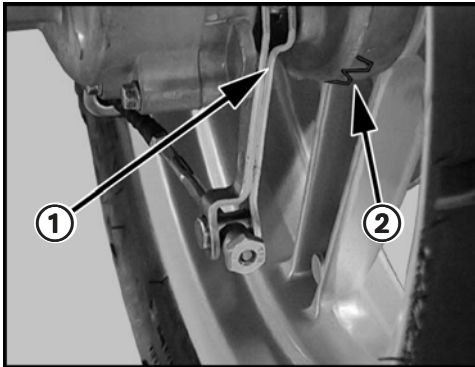
- \* Stop the engine and keep heat, sparks, and flame away.
- \* Refuel only outdoors.
- \* Clean up fuel spills immediately.

### PRI - Brake system inspection

The right brake lever on your People scooter controls the front hydraulic brake. The left brake lever controls the rear mechanical drum brake. Your scooter requires the proper brake lever free-play so the brakes will be responsive and will not drag, causing premature wear to the brake pads. The free-play is the measured distance between the brake lever at rest and the point at which the brake first begins to engage. Before riding, you should inspect the brake lever free-play, the rear brake shoe wear, the front brake fluid level and the front brake pad wear.

#### Rear brake system inspection:

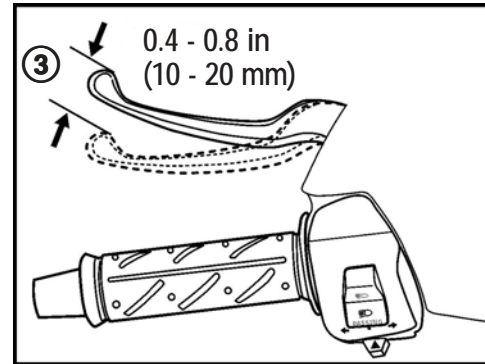
1. The rear drum brake is equipped with a brake shoe wear indicator. When the brake is applied, an arrow on the brake arm ① moves towards reference marks ② on the brake hub.



2. If the arrow points to the reference marks when the rear brake is fully applied, the shoes are worn and require replacement.

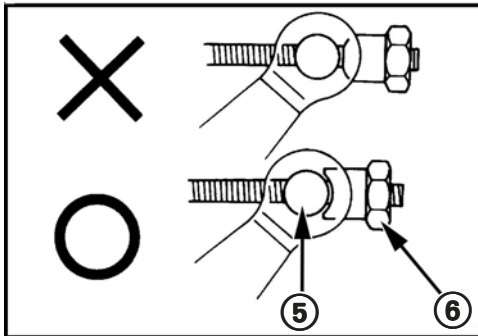
### WARNING

If the brake arm pointer is outside of the adjustment range markings, the brake shoes must be inspected and may require replacement. If your scooter requires brake shoe replacement, see your KYMCO dealer for this service.



3. Measure the free-play from the left brake lever end ③: 0.4 - 0.8 in (10 - 20 mm).
4. Use the cable adjuster on left brake lever perch for minor free play adjustment.

5. Park the scooter on the main stand and rotate the adjusting nut ④ on the brake arm clockwise to decrease the lever free play. Rotate the adjusting nut counterclockwise to increase the lever free play.



### ⚠ CAUTION

Make sure the cutout on the adjusting nut ⑥ is seated on the brake arm pin ⑤ after making adjustments.

### ⚠ WARNING

Make sure the rear wheel turns freely after free play adjustment, so the brake will function properly and not wear prematurely.

#### Front brake system inspection:

The right brake lever on your People scooter controls the front hydraulic brake. Check the fluid level through the inspection window on the brake fluid master cylinder reservoir. Inspect the brake pad wear at the front brake caliper.

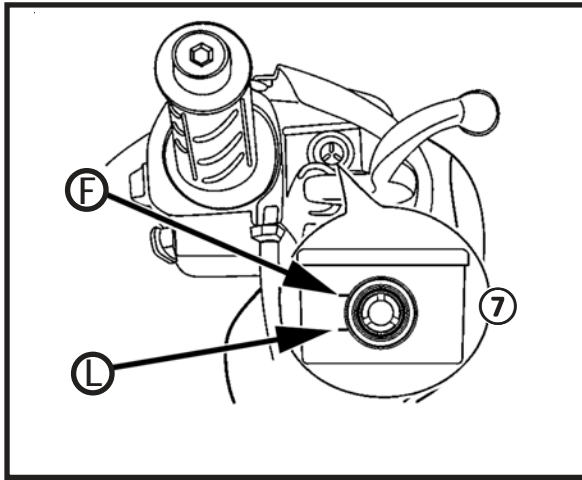
### ⚠ WARNING

As the brake pads wear, the brake fluid level drops as the hydraulic system automatically compensates for the wear. There are no adjustments to perform, but fluid level and pad wear must be inspected periodically to make sure the brakes will function properly.

The system must also be inspected for fluid leaks. Leaks can cause the system to lose pressure and malfunction.

To prevent damage to the brake system, only use DOT 4 brake fluid from a sealed container. Never allow contaminants (dirt, water, etc.) to enter the brake fluid reservoir. See your KYMCO dealer for this service.

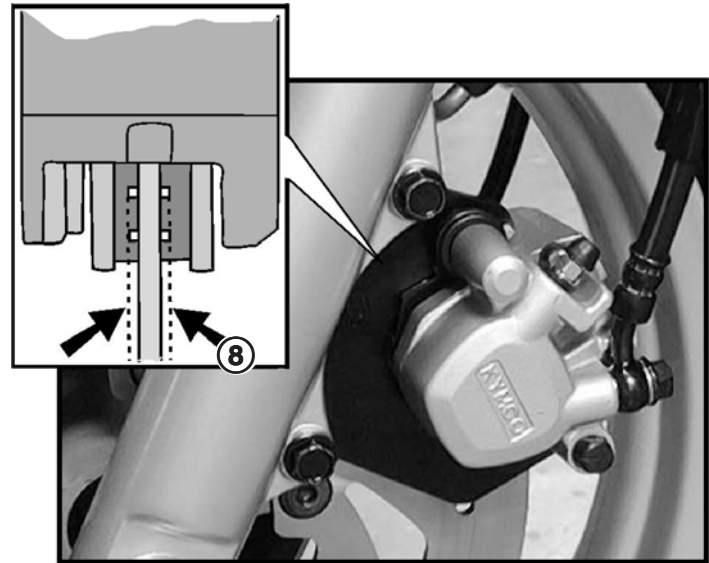
1. Verify that the brake fluid level is between the "L" mark and the "F" mark in the brake fluid reservoir window (7). See the MAINTENANCE section of this Owner's Manual for additional information about the front brake fluid.



### ▲ CAUTION

Brake fluid can damage paint and plastic, so handle the brake fluid with care. When adding brake fluid, be sure that the reservoir is horizontal before removing the cover so you will not spill fluid onto the scooter.

2. Visually inspect the front brake pads on your scooter for wear. Each pad's surface has grooves (8) that will indicate the amount of life left in each pad. If the grooves are visible, there is adequate brake pad material. If the grooves are no longer visible, or their depth is severely reduced, the pads require replacement.



NOTE: Important brake-related information on next page:

**⚠ WARNING**

As the brake pads wear, the brake fluid level drops as the hydraulic system automatically compensates for the wear. The brake fluid level must be inspected at the same time you inspect the brake pads for wear.

If the wear indicator grooves in the front brake pads are no longer visible, it is an indication that the brake pads are worn and require replacement. Consult your KYMCO dealer for any brake-related service.

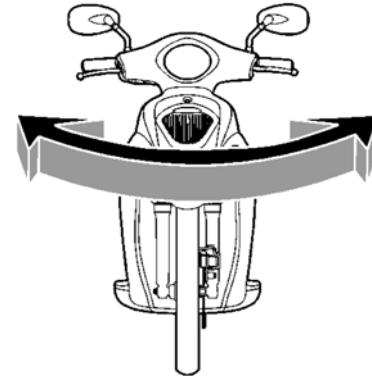
**⚠ WARNING**

Prolonged and repetitive use of the vehicle's hydraulic brakes for high speed stops will cause overheating of the brake fluid, premature brake pad wear, and can cause unexpected loss of braking ability.

**PRI - Steering & handlebar inspection**

Before riding, inspect your scooter's handlebars for damage to make sure the steering's side-to-side and up-and-down movements are smooth.

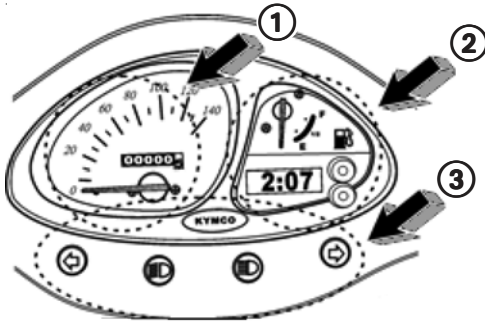
1. Apply the front brake (right lever) and press down and release pressure on the handlebar, listening for any abnormal noise.
2. As you press down and release, also feel for any looseness from the chassis transmitted to the handlebar.
3. Turn the handlebar from the center fully to the left and then fully to the right, feeling for any loose components and listening for any abnormal sounds.

**⚠ WARNING**

If the steering does not move smoothly or feels obstructed, do not ride your scooter. See your KYMCO dealer immediately for repairs or adjustment.

## PRI - Instrument inspection

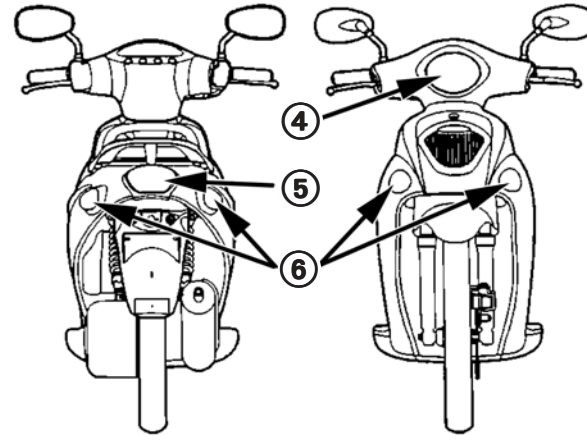
Before you begin your ride, make sure the scooter's instruments are functioning.



1. Does the speedometer ① needle move as the scooter moves?
2. Does the fuel level gauge needle ② indicate the fuel level?
3. Do all indicator lights ③, like the turn signal and the high-beam function?

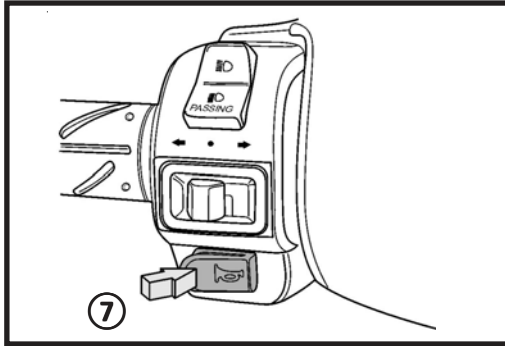
**NOTE:** Contact your KYMCO dealer for repair of your scooter's instruments if they are not functioning properly.

## PRI - Horn & lights inspection



1. Turn on the ignition switch to see if the headlight ④ and the tail light ⑤ are illuminated. Check the lenses for dirt or damage.
2. Squeeze each brake lever to make sure the brake lamp in the tail light ⑤ illuminates.
3. Operate the turn signal switch to make sure the turn signals ⑥ flash. Make sure each of the four signals flash, and the lenses are free of dirt and are not broken.

4. Turn the ignition switch to "ON" and press the horn button ⑦ to make sure the horn sounds.



### **WARNING**

The horn is an essential safety item, as it alerts other traffic to your presence.

The headlight must be in good working order to illuminate your riding path at night.

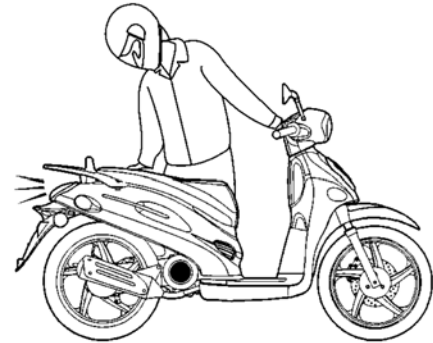
The tail/brake light is required so other traffic can see your scooter and be alerted to your intention to stop or slow down.

The turn signals indicate your turning intentions.

Because all of these systems are vital safety items, contact your KYMCO dealer for replacement bulbs or electrical system repair should there be any malfunctions.

### PRI - Chassis inspection

Complete the pre-ride inspection of your scooter by checking items on its chassis.



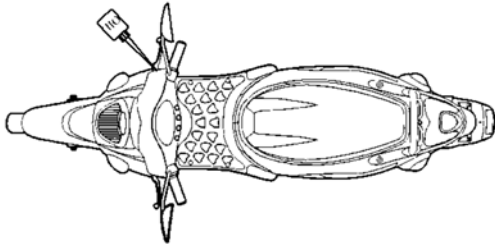
**Front suspension & rear shock absorber:** Check the operation of the suspension by pressing down on the handlebars and seat. Make sure the suspension returns in a smooth fashion.

**Brake lever operation:** Check that the rear brake (left lever) and the front brake (right lever) have pressure and lock the wheels when you squeeze them.

**Mirrors:** Adjust the mirrors while seated on the scooter **BEFORE** you begin riding.

**License plate:** Make sure your license plate is securely mounted and your registration is current.

**Reflectors:** Look to make sure all of the safety reflectors are still mounted to your scooter. Replace any missing or damaged reflectors.

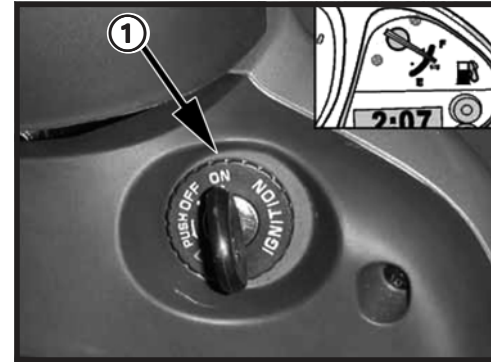


**Lubrication points:** Occasionally check and lubricate certain controls and points on the scooter as indicated in the periodic maintenance schedule (see pages 40 - 41).

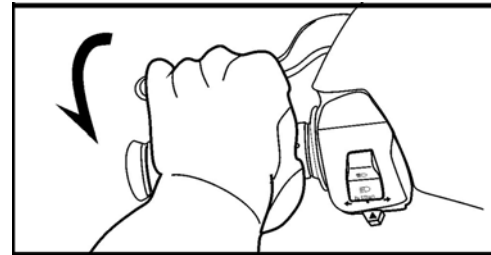
### Starting the engine (electric start)

To start your scooter using the electric starter motor, follow this procedure:

**NOTE:** Before starting, check the engine oil and fuel levels. Take the scooter off of the main or side stand.



1. Unlock the steering with the ignition switch key and turn the ignition switch ① to the "ON" position.



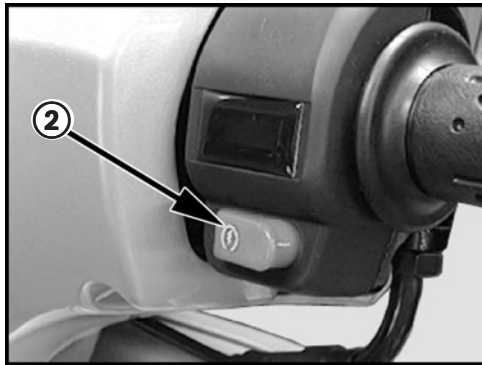
2. Apply the rear brake (left lever) .



**⚠ WARNING**

The brake must be adjusted and functioning properly so it can lock the rear wheel to keep the scooter from advancing when the engine starts.

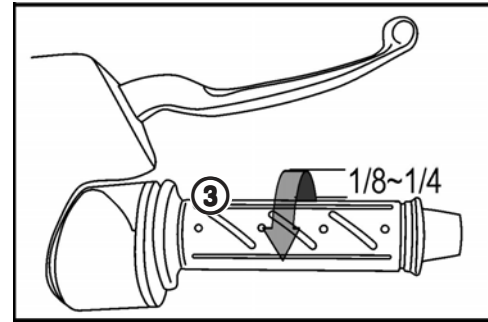
NOTE: The rear brake must be held for the starter motor to engage the engine. It is normal for the stop light to be illuminated during starting.



3. Press the starter button ② without rotating the throttle grip.

**⚠ CAUTION**

To prevent damage to the starter motor, do not operate the starter motor for more than five seconds at a time. If the scooter fails to start immediately, check the fuel level and the battery condition, and allow the starter motor to cool before attempting to start the engine again.



NOTE: If the scooter's engine is warm and does not start immediately, rotate the throttle grip ③ to 1/8 to 1/4 open to help the engine start.

NOTE: If the scooter has not been ridden for a long period of time it may be hard to start. Add fresh fuel and press the starter button several times in succession to try to start the engine. If the scooter does not start, contact your KYMCO dealer, as your scooter may need to have its fuel system cleaned and adjusted.

**⚠ WARNING**

Once the scooter starts, the rear wheel may spin. To avoid injury, keep your body and clothing away from the rear wheel.

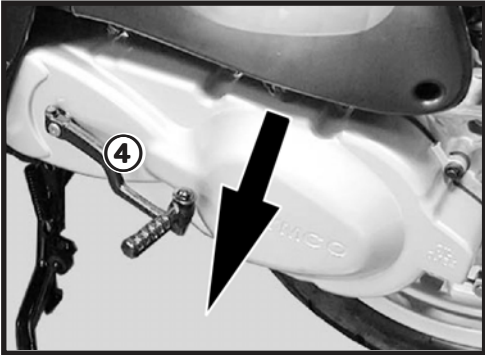
4. Allow a cold engine to warm up for 2 - 3 minutes before riding.

### ⚠ CAUTION

Do not press the starter button once the engine is running or the starter motor and engine may be damaged.

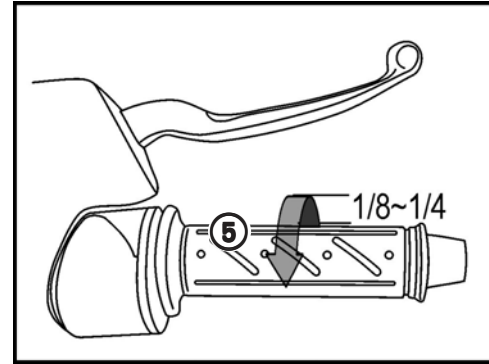
Starting the engine (kick start)

To start your scooter using the kick start lever ④, follow the electric starting procedure, but use the kick lever in place of the electric start button.



- While squeezing the rear brake lever, kick down on the kick start lever without rotating the throttle grip.

**NOTE:** If the scooter's engine is warm and does not start immediately, rotate the throttle grip ⑤ to 1/8 to 1/4 open to help the engine start.



### ⚠ WARNING

Once the scooter is started, fold the kick start lever back to its original position.

### ⚠ WARNING

Your scooter's exhaust emits poisonous carbon monoxide gas. High levels of carbon monoxide can collect rapidly in enclosed areas such as a garage. Do not run the scooter's engine with the garage door closed. Even with the door open, run the engine only long enough to move your scooter out of the garage.

## Riding your scooter

**NOTE:** After starting, allow the engine oil to circulate before riding your scooter. Allow sufficient idling time after warm or cold engine start-up before applying load or revving the engine. This allows time for the lubricating oil to reach all the critical engine components.

**NOTE:** Review the scooter safety recommendations on pages 2 through 6 before you ride.

### **WARNING**

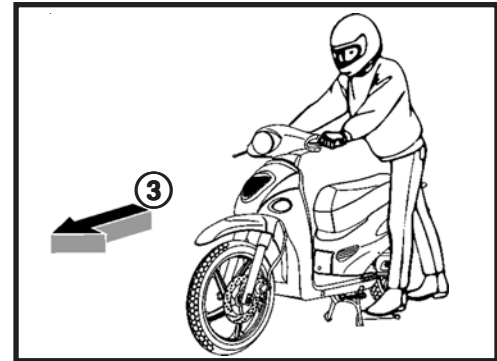
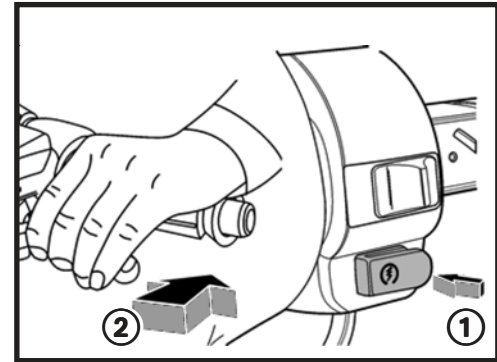
You and your passenger should always wear appropriate safety apparel such as a helmet, eye protection, gloves and other protective clothing each time you ride the scooter. Never wear any items that will adversely affect your safety.

### **CAUTION**

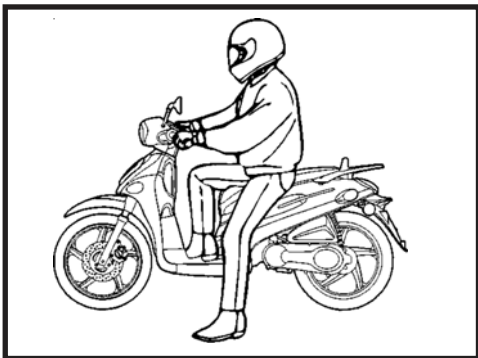
Make sure flammable materials such as dry grass or leaves do not come into contact with the exhaust system when riding, idling, or parking your scooter.

### **CAUTION**

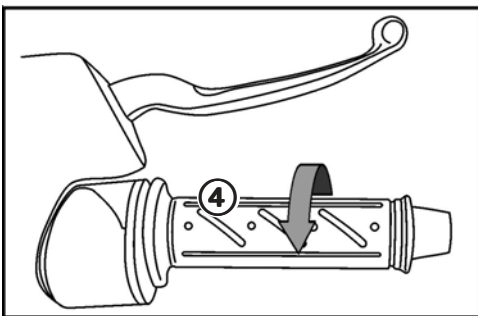
Keep your finger away from the starter button while the engine is running. You can damage the engine or the starter mechanism if you engage the starter motor when the engine is running.



1. Do not touch the starter button ① while the engine is running. Make sure the throttle is closed and the rear brake ② is engaged before moving the scooter off the main stand ③.



2. Mount the scooter from the left side and sit in an upright position on the seat. Place both hands on the handlebars and touch the ground with your left foot for stability.

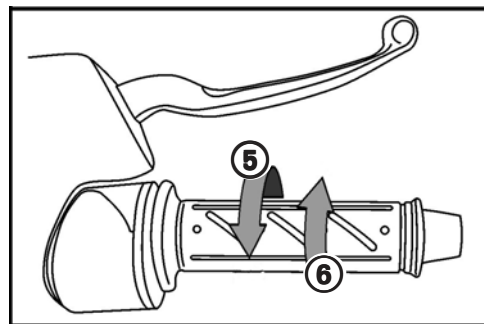


3. Release the rear brake and slowly rotate the throttle grip ④ so that the engine power will be transmitted smoothly to the rear wheel.

### ⚠ CAUTION

In hot weather the engine could overheat if it idles for a long period of time. Very slow-speed traffic could also cause the scooter to overheat. To promote engine longevity, permit the engine to cool in these situations. Avoid sudden acceleration and prolonged high-speed use that can accelerate engine wear. Moderate use will prolong the engine life of the scooter.

4. You will control the scooter's speed with the throttle grip.



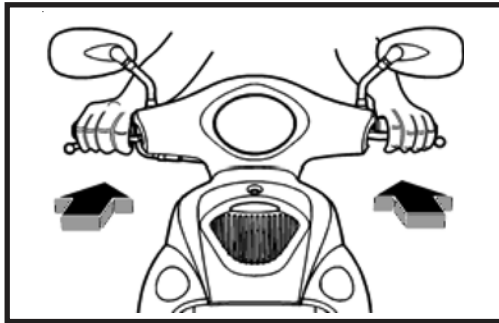
Rotating the grip towards you ⑤ will increase the scooter's speed.

Rotating the grip away from you ⑥ will decrease the scooter's speed.

5. Limit the maximum speed of your scooter during the first 600 miles (1,000 km) of operation. Keep the road speed below 25 MPH (40 KPH) during this break-in period.

**⚠ WARNING**

Use the scooter's turn signals to signal your intention to merge into traffic. Always scan around you and check the rear view mirrors so you are aware of other traffic. Use caution as you merge into traffic, keeping to the right until you match the pace of the traffic.



6. Use both brake levers when slowing and stopping the scooter. Release the throttle when braking.

**⚠ WARNING**

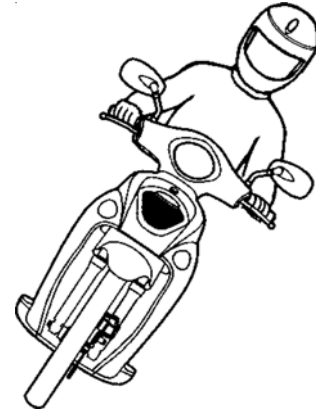
Avoid using just one brake to stop the scooter, as this will affect the tires' grip.

Avoid sudden braking, as this will also affect the tires' grip and can cause an accident.

**NOTE:** Decreasing the scooter's speed with a balanced application of both brake levers and a reduction of throttle will reduce the distance required to stop. Squeeze the levers lightly at first, increasing the pressure smoothly until stopped.

**⚠ WARNING**

Prolonged and repetitive use of the vehicle's hydraulic brakes for high speed stops will cause overheating of the brake fluid and premature brake pad wear, which can cause unexpected loss of braking ability.



7. When riding and turning the scooter, use smooth movements, and avoid abrupt accelerations and braking whenever possible.

NOTE: At certain speeds your scooter will turn more effectively by leaning your body, than by applying pressure on the handlebars. Practice steering in an open, traffic-free area until you are familiar with the handling characteristics of your scooter.



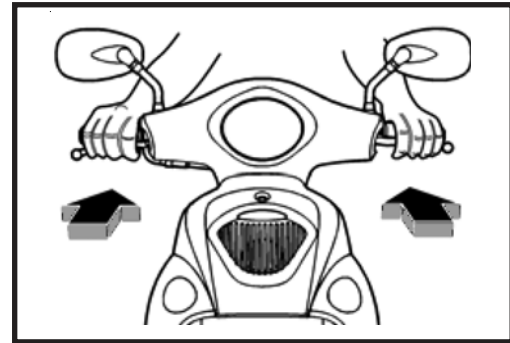
### WARNING

Reduce your speed when riding your scooter in wet conditions. Wet road surfaces reduce tire grip and greatly increase the distance required for safe braking. A wet surface also reduces tire grip during cornering. Reduced tire grip will make it more difficult to control your scooter and may cause an accident.

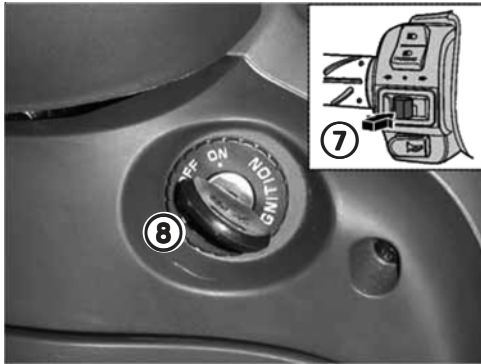
### WARNING

Reduce your speed when riding on uneven or loose road surfaces. When riding downhill, use less throttle and brake intermittently to control the vehicle's speed. These conditions reduce tire grip and can cause an accident.

- As you approach a turn, or plan to stop, use the turn signals well in advance to alert other traffic of your intentions.



Scan for other vehicles around you, turn your head and use the scooter's mirrors. Slowly change lanes. Use your brakes in addition to closing the throttle so your brake light will help alert vehicles behind you that you are decelerating.



9. After leaving traffic and when you stop the scooter, press the center of the turn signal indicator switch ⑦ to cancel the signal flashing. Turn the ignition switch to the "OFF" position ⑧ to stop the engine and turn off the scooter's electrical system.

**⚠ WARNING**

Never operate the ignition switch while riding your scooter.

If the ignition switch is operated during riding, it could turn off the engine and lights creating a unsafe riding condition which could result in you losing control of the scooter.

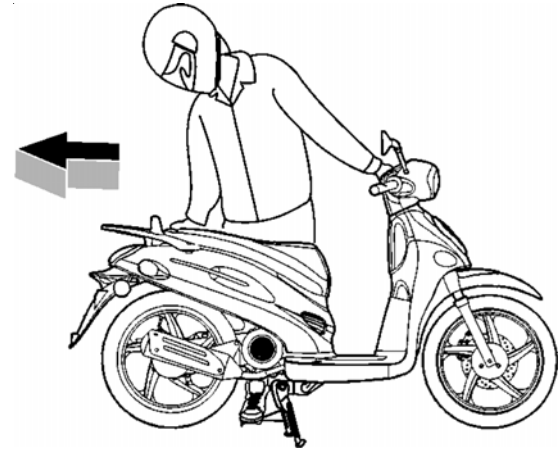
With the lights off, your scooter may not be visible to other traffic, and this could cause a traffic accident.

Only operate the ignition switch when the scooter is not moving.

### Parking your scooter

Use the following procedure and suggestions when parking your scooter.

1. Place the scooter on level ground.



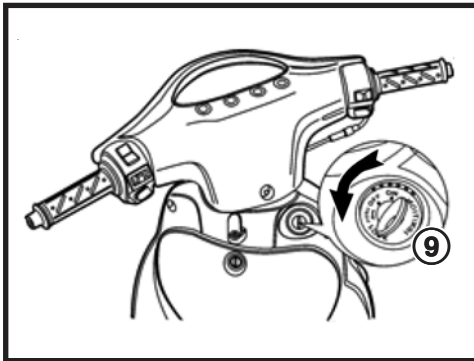
2. Stand on the left side of the scooter and grasp the handlebar with your left hand, while grasping the side of the rear rack with your right hand. Step down on the foot pad of the main stand with your foot, while pulling up and back on the rear rack. This lifting motion will allow the scooter to rock backwards and up onto the main stand.

**⚠ CAUTION**

The scooter may fall over if it is not parked on level ground.

Make sure flammable materials such as dry grass or leaves do not come into contact with the exhaust system when parking your scooter.

Lock the steering of your scooter (see pages 10 & 11) to reduce the risk of theft.



3. Stop the engine using the engine stop switch. Turn the handlebars to the left and rotate the ignition key in the ignition switch to the "LOCK" position ⑨ to lock the steering.

**⚠ WARNING**

Do not park your scooter in a place that hinders traffic, or that is unsafe to you or to others.



### The importance of maintenance

Maintaining your scooter properly is essential for safe, economical and trouble-free riding. It will also help reduce air pollution and maximize fuel economy .

To help you properly care for your scooter, the following pages in this Owner's Manual include a maintenance schedule to help you make sure your scooter is serviced at the appropriate intervals.

These instructions are based on the assumption that your scooter will be used exclusively for its designed purpose. Sustained, high-speed operation, or operation in unusually wet or dusty conditions, will require more frequent service than specified in the maintenance schedule. Consult your KYMCO dealer for recommendations applicable to your individual needs and use.

**NOTE:** Always follow the inspection and maintenance recommendations and schedules in this Owner's Manual.

### **WARNING**

If your scooter tips over or becomes involved in a crash, be sure your KYMCO dealer inspects all major parts, even if you are able to make some repairs.

Improperly maintaining this scooter, or failing to correct a problem before you ride, could result in a crash in which you could be seriously hurt or killed.

### **WARNING**

When performing maintenance on your scooter, you may need to start the engine. Running your scooter's engine indoors or in a garage can be hazardous. Exhaust gas contains carbon monoxide, a gas that is colorless and odorless, and can cause death or severe injury. Operate the engine only where there is adequate ventilation, preferably outdoors.

## Maintenance Schedule

Perform the pre-ride inspection (see pages 20 - 30) at each scheduled maintenance period. This interval should be judged by odometer reading or months, whichever comes first.

Maintenance Schedule Legend (see page 41):

I: INSPECT AND CLEAN, ADJUST, LUBRICATE OR REPLACE IF NECESSARY

C: CLEAN      R: REPLACE      A: ADJUST      L: LUBRICATE      T: TIGHTEN

The maintenance schedule chart on page 4-1 specifies the maintenance required to keep your People scooter in peak operating condition. Maintenance work should be performed in accordance with KYMCO standards and specifications by properly trained and equipped technicians. Your KYMCO dealer meets all of these requirements.

\* Should be serviced by your KYMCO dealer, unless you have the proper tools, service data and are technically qualified.

\*\* In the interest of safety, we recommend these items be serviced only by your KYMCO dealer. KYMCO USA recommends that your KYMCO dealer road test your scooter after each periodic maintenance service is completed.

# Does not apply to People 50 or 150 models

Maintenance Schedule Notes (see page 41):

1. At higher odometer readings, repeat at the frequency interval listed here.
2. Service more frequently if the scooter is ridden in unusually wet or dusty areas.
3. Service more frequently when riding in rain or at full throttle.
4. "PRI" indicates that the item should be checked as part of the Pre-Ride Inspection (see page 20 through 30)
5. "See page" indicates on which page of the Owner's Manual you will find information about the required maintenance.
6. "Dealer" indicates maintenance or service procedure that should be performed by your KYMCO dealer.

## Maintenance Schedule - People 50 & 150

ITEM	MILEAGE							Pre-ride inspection	See page
	200 mi 300 km	600 mi 1000 km	1850 mi 3000 km	3100 mi 5000 km	4300 mi 7000 km	5500 mi 9000 km	7000 mi 11000 km		
Engine oil *	R	R	R	R	R	R	R	PRI	21, 43
Engine oil strainer *	C	-	C	-	C	-	C	-	44
Gear oil *	R	-	R	-	R	-	R	-	45
Coolant #	-	-	-	-	-	-	R	-	Dealer
Spark plug *	C	I	C	R	C	I	R	-	47
Valve clearance **	A	-	A	-	A	-	A	-	Dealer
Carburetor **	I	-	I	-	I	-	I	-	Dealer
Drive belt **	-	-	-	-	I	-	-	-	Dealer
Air cleaner *	C	I	R	I	R	I	R	-	46
Battery *	I	I	I	I	I	I	I	PRI	48, 49
Fuel filter **	-	-	-	-	R	-	-	-	Dealer
Brake system **	I	I	I	I	I	I	I	PRI	24, 51
Tires **	I	I	I	I	I	I	I	PRI	21, 42
Bolts & nuts *	T	I	I	T	I	I	T	PRI	29

I: INSPECT AND CLEAN, ADJUST, LUBRICATE OR REPLACE IF NECESSARY

C: CLEAN

R: REPLACE

A: ADJUST

L: LUBRICATE

T: TIGHTEN

Tires

**⚠ WARNING**

Failure to follow these warnings may result in an accident due to tire failure. The tires on your scooter are a crucial link between your scooter and the road. You and your passenger's personal safety are dependant upon the condition of your scooter's tires.

Follow these instructions:

- Check tire condition and pressure, and adjust the inflation pressure before each ride.
- Avoid overloading your scooter.
- Replace a tire when worn to the specified limit, or if you find any damage such as cuts or cracks.
- Always use the proper size and type of tires as specified in this Owner's Manual.
- Balance the wheel after tire installation.
- Read this section of the Owner's Manual carefully.

Failure to perform a reasonable break-in of the tires could cause tire slippage and loss of control.

Use extra care when riding on new tires, as the grip will be limited. Perform proper break-in of the tires, as set forth in the break-in recommendation section of this manual. Avoid hard acceleration, hard cornering, and hard braking for the first 100 miles (160 km).

**NOTE:** Check the tire inflation pressure and tire tread condition at the periods listed in the Periodic Maintenance Schedule. For maximum safety and good tire life, the tire pressures should be inspected more often.

Tire pressure

Insufficient air pressure in the tires not only accelerates tire wear, but also affects the stability of your scooter. Under-inflated tires make smooth cornering difficult, and overinflated tires decrease the amount of tire in contact with the ground, which can lead to skids and loss of control. Make sure that the tire pressures on your scooter are within the specified limits at all times.

**NOTE:** Tire pressure should only be adjusted when the tires are cold.

Front tire (rider only): .....	25.0 PSI	(1.75 kg/cm <sup>2</sup> )
Rear tire (rider only): .....	29.0 PSI	(2.0 kg/cm <sup>2</sup> )
Front tire (rider & passenger): ..	25.0 PSI	(1.75 kg/cm <sup>2</sup> )
Rear tire (rider & passenger): ....	32.0 PSI	(2.25 kg/cm <sup>2</sup> )

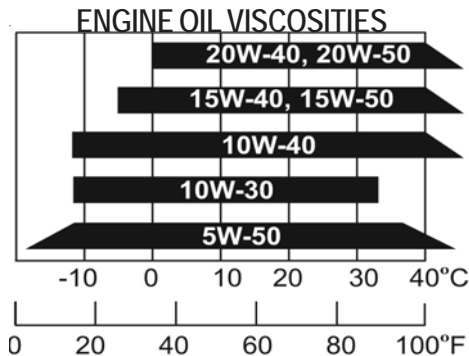
## Engine oil

### Engine oil recommendation

Use a premium quality, 4-stroke engine oil to help your scooter attain its highest possible service life. Only use oils that have a SJ rating per the API service classification.

Engine oil capacity (50):	0.9 US qt. (0.85L)
Engine oil capacity (150):	0.96 US qt. (0.91 L)
Engine oil viscosity:	SAE 10W-40

*If this viscosity is not available, select an alternative engine oil according to the chart shown below.*



### Engine oil level inspection

Check the engine oil level each day before riding your scooter (see page 21).

## WARNING

The engine and related components can become very hot. Use care when inspecting or adjusting the oil level to avoid injury. If needed, let the engine and exhaust system cool before working in those areas.

Prolonged contact with used engine oil can cause skin cancer. Although rare, this possibility exists if you handle oil on a frequent basis. Thoroughly wash your hands with soap and water as soon as possible after handling used oil.

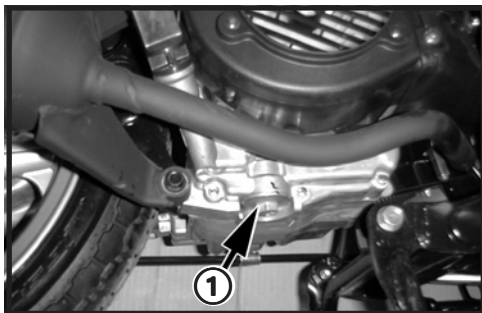
### Engine oil replacement

Engine oil quality is the primary factor affecting engine longevity. Change your scooter's engine oil as specified in the maintenance schedule (see page 40 & 41).

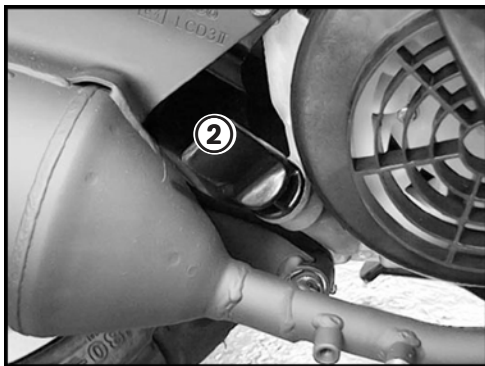
**NOTE:** When riding your scooter in very dusty conditions, oil changes should be performed more frequently than specified in the maintenance schedule.

**NOTE:** Always dispose of used engine oil in an environmentally responsible manner. You should take the drained oil in a sealed container to your local recycling center or service station for reclamation. Do not throw the oil in the trash, pour it on the ground, or pour it down a drain.

**NOTE:** Change the engine oil with the engine at normal operating temperature and with the scooter positioned on its main stand, to assure complete and rapid draining.



1. Place a suitable container (drain pan) under the crankcase.  
Remove the drain bolt/oil strainer cap ① to drain the oil.



2. Remove the oil filler/dipstick ② from the right crankcase cover.

3. Replace the drain bolt/oil strainer cap ①. Tighten it to the specified torque.

Oil drain bolt/cap torque: 18 lb-ft (25 N-m)

4. Add engine oil through the oil filler/dipstick hole.

Engine oil capacity (50): 0.9 US qt. (0.85L)

Engine oil capacity (150): 0.96 US qt. (0.91 L)

Engine oil viscosity: SAE 10W-40

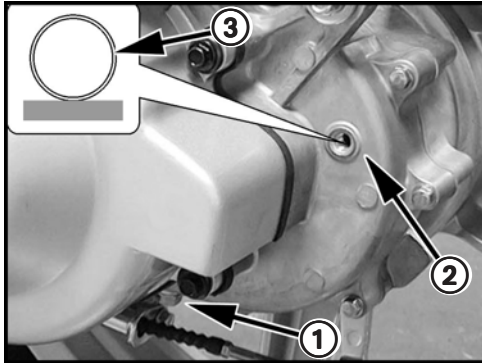
## **⚠ CAUTION**

Do not overfill the engine with oil. Overfilling the engine can cause oil leaks and/or oil contamination of the air filter element. Always make sure the oil level is above the "L" mark but not higher than the "F" mark on the dipstick.

5. Refer to page 21: Wipe the dipstick off with a clean cloth and reinstall it in its hole, but do not thread it into the engine case. Push the dip stick in until it touches the case.
6. Remove the dip stick and visually inspect the oil level on the stick. The engine oil level should be above the "L" mark but not higher than the "F" mark. Add or remove oil as required.
7. Replace the oil filler/dipstick and tighten it securely .

## Transmission fluid change

1. Place the scooter on its main stand.



2. Place a suitable container (drain pan) under the transmission case on its left side. Remove the drain bolt (1) to drain the fluid.
3. After the fluid has drained out, reinstall the drain bolt with a new sealing washer and tighten it to the specified torque.

Transmission fluid drain bolt torque: 15 lb-ft (20 N-m)

4. Remove the transmission fluid filler bolt from the filler hole (2).
5. Add the exact specified fluid through the fluid filler hole. Only fill the transmission so the fluid level stays below the filler hole (3).

Transmission fluid type:	SAE 90
Transmission fluid capacity (50):	0.13 qt (0.12 L)
Transmission fluid capacity (150):	0.25 qt (0.21 L)

NOTE: The fill amount specified is the amount to use after completely draining the used transmission fluid.

### **⚠ CAUTION**

Do not exceed the specified amount when adding transmission fluid. If too much fluid is added to the transmission case, it could be forced into the air cleaner assembly during operation, causing air filter contamination and poor engine performance.

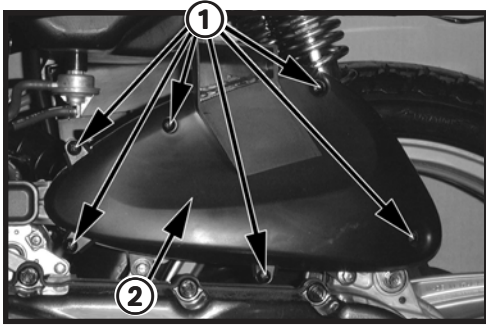
### **⚠ CAUTION**

Using the wrong transmission fluid type or viscosity may cause premature transmission component wear.

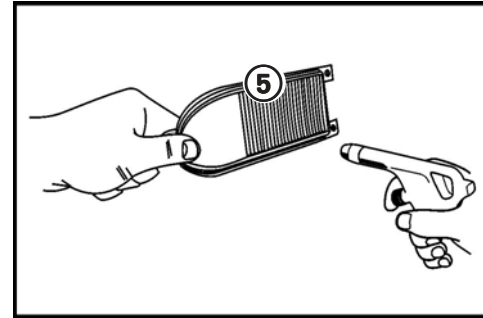
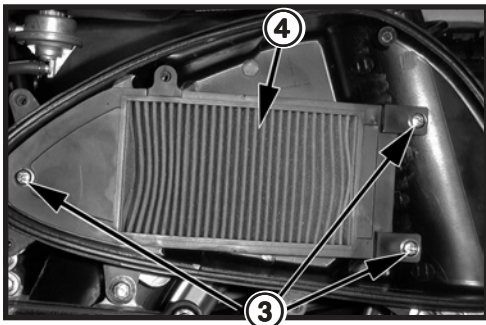
## Air cleaner filter element

The air cleaner filter element should be serviced at regular intervals. Service the element more often when riding in unusually wet or dusty areas.

1. Remove the six air cleaner cover screws ①.



2. Remove the air cleaner case cover ②. Remove the three screws ③ securing the filter element ④ in place.



3. If lightly soiled, clean the filter ⑤ with compressed air. If very dirty (or if the filter is at the replacement interval per the maintenance schedule) discard the air cleaner element.
4. Install the cleaned or new air cleaner element. Use a KYMCO genuine air cleaner element or an equivalent air cleaner element specified for your scooter .
5. Complete the installation by reinstalling the air cleaner parts in the reverse order of removal.

### ⚠ CAUTION

Improper installation of the filter can cause water or dirt to enter the engine, causing premature wear.

Using the wrong air cleaner element or a non-KYMCO air cleaner element which is not of equivalent quality may cause premature engine wear or performance problems.



## Spark plug

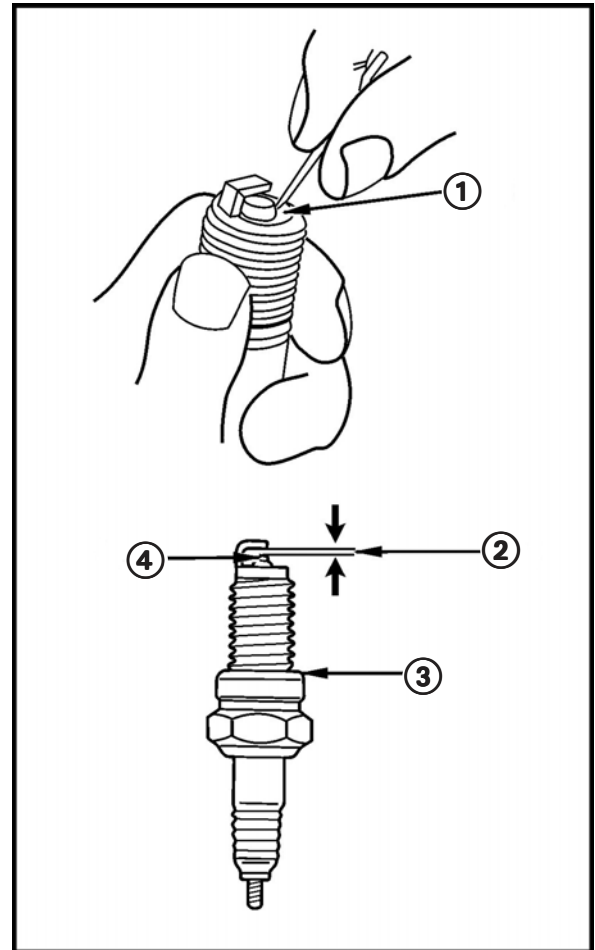
Remove the carbon deposits from the spark plug with a small wire brush, a pick ① or a spark plug cleaning machine. After cleaning (or when installing a new spark plug) readjust the spark plug gap ② to the specified limit by using a spark plug gap thickness gauge. The spark plug should also be replaced if the sealing washer ③ has been compressed flat from multiple installations. The spark plug should be replaced periodically. Under normal usage, a spark plug's porcelain tip ④ should appear light brown or tan in color. If the spark plug porcelain tip is very white or glazed appearing, then the spark plug has been operating too hot. In such a situation, you should replace the standard spark plug with a spark plug that has a colder heat range (usually a higher number; consult with your KYMCO dealer when selecting an alternate spark plug).

## Recommended spark plug

Spark plug type: CR7HSA  
 Spark plug gap ②: 0.024 - 0.028 in  
 (0.6 - 0.7 mm)

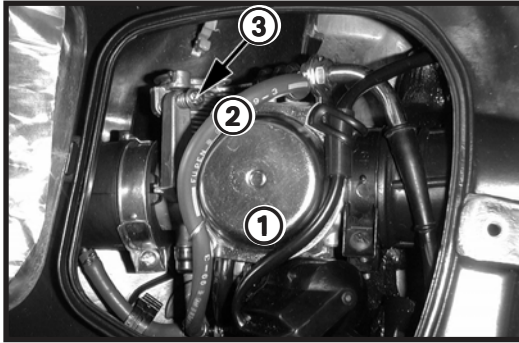
### **CAUTION**

An improper spark plug may have an incorrect fit or heat range for your engine. This may cause severe engine damage which will not be covered under warranty. Never use a spark plug with an improper heat range, as severe engine damage may result.



## Fuel system & hoses

Check the fuel hoses and fittings for any signs of leakage.



1. Check for leakage at the carburetor ①.
2. Check for leakage from the fuel hoses, clamps and joints ②.
3. Check for leakage at the fuel filter .
4. Check for leakage at the fuel tank.

Engine idle speed: 1700 RPM

1. Adjust the engine idle speed using the adjustment screw on the carburetor throttle cable linkage ③.

### WARNING

Replace any fuel system components that are leaking fuel. Contact your KYMCO dealer for fuel system service, repairs or engine idle speed adjustment.

## Battery

Your KYMCO scooter is equipped with a maintenance-free (sealed) battery. Therefore, it is not necessary to check the battery's electrolyte level or add distilled water .

**NOTE:** If your battery seems weak and/or is leaking electrolyte (causing hard starting or other electrical troubles), contact your KYMCO dealer immediately .

### CAUTION

Your battery is a maintenance-free type and can be permanently damaged if the cap strip is removed.

Charge the battery with a charger specifically designed for use with a maintenance-free type battery. Using another type of charger can damage the battery.

### WARNING

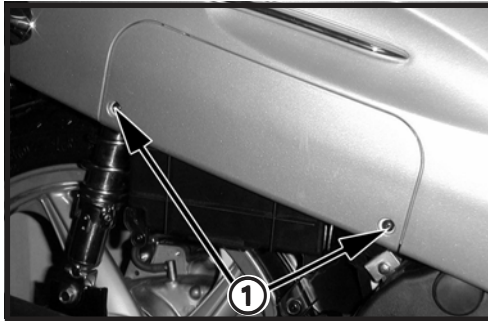
Your scooter's battery gives off explosive hydrogen gas during normal operation. A spark or flame can cause the battery to explode with enough force to kill or seriously injure you.

Wear protective clothing and a face shield, or have a qualified technician perform the battery maintenance.

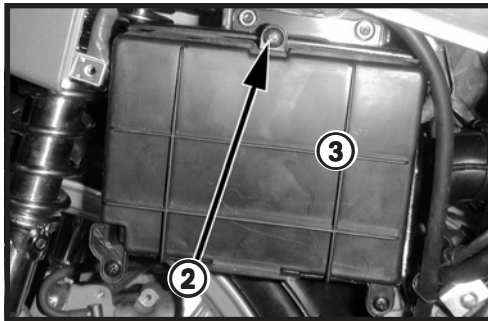
## Battery removal & installation

The battery is in a compartment under the scooter's right body panel (see next page).

1. Make sure the ignition switch is “ OFF”. Remove the two body panel screws ① to access the battery cover .



2. Remove the battery cover screw ②, open the battery cover ③ to access the battery .

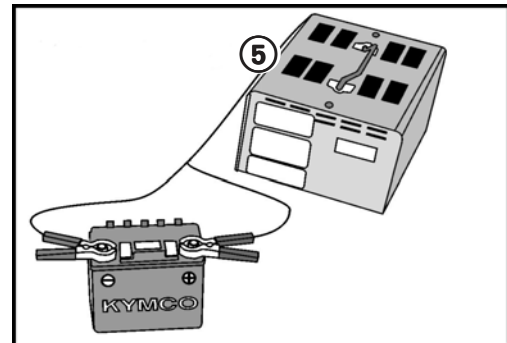


3. If you remove the battery for charging or replacement, disconnect the negative (-) terminal lead from the battery first, then disconnect the positive (+) terminal lead.

4. If the battery voltage is below 12.4 VDC, charge the battery ④.



5. Use a charger ⑤ specifically designed for a maintenance-free type battery . Using another type of battery charger may damage the battery and prevent it from becoming fully charged.



- When installing the battery, connect the positive(+) terminal lead first, then the negative (-) terminal lead.
- Replace the battery cover, body panel and all screws.

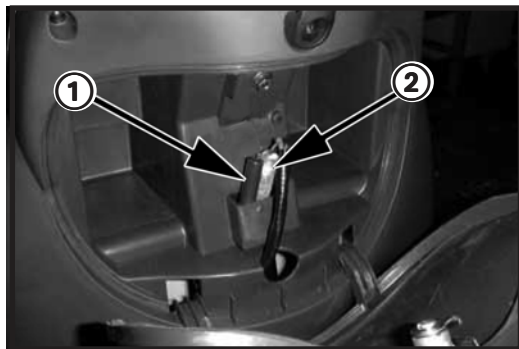
**NOTE:** Always keep the ignition switch OFF when servicing the battery. See your KYMCO dealer for electrical system diagnosis and repair.

## Fuses

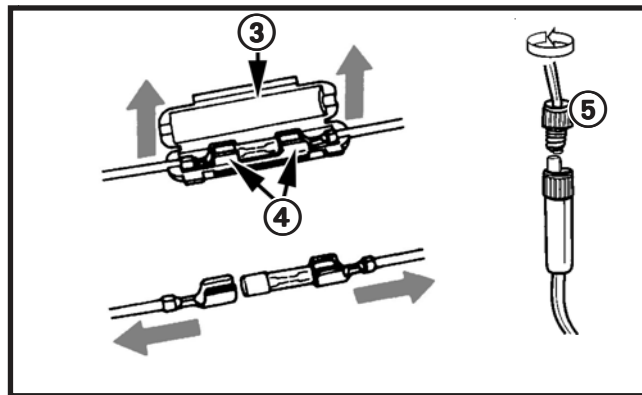
When frequent fuse failures occur, it usually indicates a short circuit or an overload in the electrical system.

Ignition system fuse: 7A

Charging system fuse: 15A



- The charge fuse ① and the ignition fuse ② are located inside the front storage compartment (access with ignition key).



To replace a fuse, follow these steps:

- Slide the ignition fuse ③ out of the holder clips ④.
- Press a new 7A ignition fuse into the holder clips and close the holder.
- Unscrew the cap ⑤ (counterclockwise) to access the charging fuse. Replace the 15A charging fuse and screw the cap back into place.

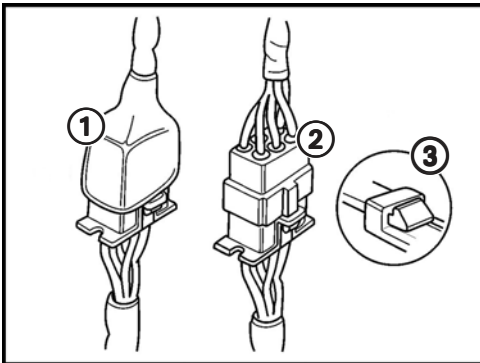
## WARNING

Never use a fuse with a different rating from that specified. Serious damage to the electrical system or a fire hazard may result, causing a dangerous loss of lights or engine power.

## Wire & cable cover inspection

The control cables and connection points of the scooter's wire harness have rubber covers that protect them from dirt and moisture.

1. The covers ① should be checked periodically to make sure they are in good condition .
2. The covers should also be pulled back ② to make sure the electrical terminals are not contaminated by moisture, dirt or corrosion that could affect their electrical integrity .
3. When the cover is pulled back, make sure the connectors' tabs ③ are secured so the connectors will not separate during operation.



### **⚠ CAUTION**

Use a moist rag to clean debris off of the covers.

### **⚠ WARNING**

Corrosion on electrical connectors can alter or disrupt the electrical function of your scooter. Use a quality, dielectric grease to lubricate and protect electrical connectors.

Always keep ignition switch OFF when servicing the electrical connectors. See your KYMCO dealer for any electrical system diagnosis and repair.

## Brake fluid (front brake)

Your scooter is equipped with a hydraulic front brake. Check the brake fluid level window on the master cylinder reservoir on the handlebars per the maintenance schedule.



## Adding brake fluid:

1. Remove the two Phillips screws retaining the master cylinder cap. Remove the cap.
2. Add the specified type of brake fluid to bring the level above the "MIN" level in the window ④ (see image on prior page).
3. Wipe the master cylinder cap and gasket with a clean cloth and reinstall the cap, tightening the screws securely .

Brake fluid type: DOT 4

### WARNING

Do not mix brake fluid types. Doing so may cause brake failure and could result in an accident.

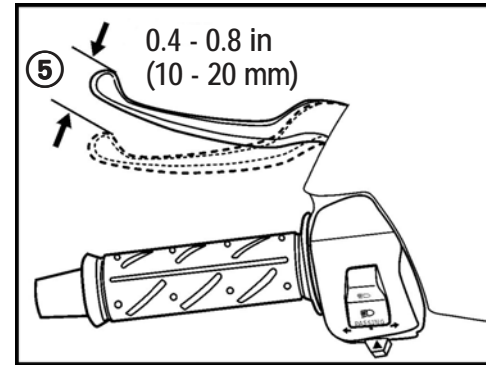
Do not allow brake fluid to touch the scooter's body work, as it will damage the painted surface.

## Brake lever & shoe adjustment (rear brake)

Your scooter requires the proper lever free-play and brake shoe adjustment so the rear brake will be responsive and will not drag, causing premature wear to the brake shoes.

Note: The free-play is the measured distance between the brake lever at rest and the point at which the brake first begins to engage (see page 24).

1. Measure the free-play at the left brake lever end ⑤:  
0.4 - 0.6 in (10 - 20 mm).



2. Adjust the rear brake free-play so the pointer on the brake arm is within the adjustment range markings on the transmission case (see page 24 - 27).
4. Use the cable end adjuster to set the free-play (see page 26).

### WARNING

Make sure the rear wheel turns freely after free-play adjustment so the brake will function properly and not wear prematurely.

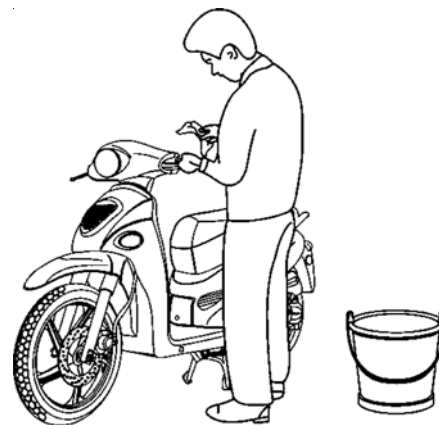
If the brake arm pointer is outside of the adjustment range markings, the brake shoes must be inspected and may need to be replaced. If your scooter requires brake shoe replacement, see your KYMCO dealer for this service.

## Cleaning

Clean your scooter regularly to protect the surface finishes and inspect for damage, wear, and oil, coolant or brake fluid leakage.

Avoid cleaning products that are not specifically designed for scooter, motorcycle, or automobile surfaces. Nonspecific cleaners may contain harsh detergents or chemical solvents that could damage the metal, paint, and plastic on your scooter.

**NOTE:** If your scooter is still warm from recent operation, give the engine and exhaust system time to cool off before washing. Avoid the use of high-pressure water spray (typical in coin-operated car washes), as this powerful spray can damage components on your scooter.

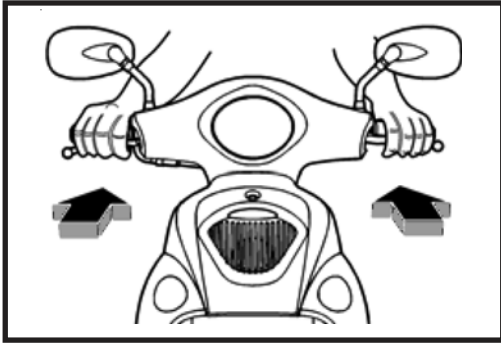


## Washing your scooter

1. Rinse the scooter thoroughly with cool water to remove any loose dirt.
2. Clean the scooter with a sponge or soft cloth using cool water. Avoid directing water at muffler outlets and electrical parts.
3. Clean the plastic parts using a cloth or sponge dampened with a solution of mild detergent and water. Rub the soiled area gently, rinsing it frequently with fresh water. Take care to keep brake fluid or other chemical solvents away from the scooter, as they will damage the plastic and painted surfaces.
4. After cleaning, rinse the scooter thoroughly with plenty of clean water. This rinsing is required to remove detergent residue which can corrode alloy parts.
5. Dry the scooter and then start the engine, allowing it to run for several minutes.

**NOTE:** The inside of the headlight lens may become clouded immediately after washing the scooter. Moisture condensation inside the headlight lens will disappear gradually as it is heated by the headlight. After washing, run the engine while keeping the headlight on to dissipate any condensation.

6. Test the brakes before riding the scooter . Several applications of the brakes may be necessary to restore normal braking performance.



**NOTE:** Due to water on the brake components, braking efficiency may be temporarily impaired immediately after washing the scooter. Anticipate longer stopping distances to avoid a possible accident.

### Finishing touches:

After washing your scooter , consider using a commercially-available spray cleaner/polish or a quality liquid or paste wax to enhance and protect the paint's finish. Use only a nonabrasive polish or wax made specifically for scooters, motorcycles, or automobiles. Apply the polish or wax according to the instructions on the container .

### Removing road salt

The salt used in some communities to prevent road icing can become very corrosive to your scooter . Wash your scooter as soon as possible if it comes in contact with road salt (or sea water).

1. Clean the scooter using cool water (see page 53). Do not use warm water, as this will increase the corrosive effect of the salt.
2. Dry the scooter and protect painted and metal surfaces with wax or polish.

### Painted aluminum wheel maintenance

Even if protected by paint, aluminum may corrode from contact with dirt, mud, or road salt. Clean the scooter's wheels with a wet sponge and mild detergent. Avoid stiff brushes, steel wool, or cleaners containing abrasives or chemical compounds.

After washing, rinse with plenty of water and dry with a clean cloth. Apply touch-up paint to the wheels where damage has occurred.

### Exhaust pipe maintenance

The exhaust system is stainless steel, but it can become stained by oil or mud. If necessary , remove heat stains with a liquid kitchen-counter abrasive.



## STORAGE GUIDE

Extended storage, such as for the winter months, requires that you take certain steps to reduce the effects of deterioration from the non-use of your scooter. Whenever possible, perform any necessary periodic maintenance or repairs before storage, so the scooter will be in good condition for riding when it is removed from storage.

### Storage

1. Change the engine oil and filter .
2. Drain the carburetor (if equipped) and empty the fuel tank into an approved gasoline container using a commercially available hand siphon or an equivalent method. Spray the inside of the tank with an aerosol rust-inhibiting oil. Close the fuel filler cap on the fuel tank

### WARNING

Gasoline is highly flammable and explosive. You can be burned or seriously injured when handling fuel. Stop the engine and keep heat, sparks, and flame away. Refuel the scooter outdoors and wipe up any spills immediately.

3. To prevent rusting in the cylinder , perform the following:
  - Remove the spark plug cap from the spark plug, using tape or string to secure the cap to any convenient plastic body part so that it is positioned away from the spark plugs.*
  - Remove the spark plug from the engine and store it in a safe, dry place. Do not connect the spark plug to the spark plug cap.*
  - Pour a tablespoon (15 - 20 cc) of clean engine oil into the cylinder and cover the spark plug hole with a piece of cloth.*
  - Crank the engine several times to distribute the oil.*
  - Reinstall the spark plug and spark plug cap.*
4. Remove the battery. Store it in an area protected from freezing temperatures and direct sunlight. Slow charge the battery once a month (use a quality charger designed for use on a maintenance-free type battery).
5. Wash and dry the scooter . Wax all painted surfaces. Coat the chrome or bare aluminum parts with rust inhibiting oil.
6. Inflate the tires to their recommended pressures. Place the scooter on blocks to raise both tires off the ground.
7. Cover the scooter (do not use plastic or other coated materials) and store in an unheated area, free of excessive moisture, with a minimum of daily temperature variation. Do not store the scooter in direct sunlight, as the sun's UV rays can damage the body work and other components.

## Removal from storage

1. Uncover and clean the scooter .
2. Change the engine oil if more than 1 month has passed since the start of storage.
3. Charge the battery as required (use a quality charger designed for use on a maintenance-free type battery). Install the battery.
4. Drain any excess aerosol rust-inhibiting oil from the fuel tank. Fill the fuel tank with fresh gasoline.
5. Perform all pre-ride inspection checks (see pages 20 -30). Test ride the scooter at low speeds in a safe riding area, away from traffic.





## Dimensions

Overall length .....	72.8 in (1850 mm)
Overall width .....	26.9 in (685mm)
Overall height .....	42.3 in (1075 mm)
Wheel base .....	50.0 in (1270mm)
Seat height .....	31.5 in (820 mm)
Dry weight .....	210.5 lbs (95.5kg)

## Capacities

Engine oil .....	0.9 US qt. (0.85L)
Transmission oil .....	0.13 qt (0.12 L)
Fuel tank .....	1.53 US gal (5.8 L)
Maximum weight capacity .....	330 lb (150 kg)

## Engine

Type .....	Four-stroke, air-cooled SOHC
Displacement .....	49.4 cm <sup>3</sup> (3.0 cu. in)
Bore and stroke .....	1.53in X 1.61 in (39 X 41.4 mm)
Compression ratio .....	7.2:1
Spark plug .....	CR7HSA
Idle speed .....	1700 RPM
Cooling system .....	Forced Air (fan)
Starting system...	Electric starter motor (kick-start back-up)
Transmission .....	Automatic CVT

## Chassis

Tire size, front .....	80/80 - 16
Tire size, rear .....	100/80 - 16
Chassis material .....	Steel
Front suspension .....	Telescopic forks
Rear suspension .....	Single shock absorber
Brake (front) .....	Disc type
Brake (rear) .....	Drum/shoe type

## Electrical

Ignition type .....	DC-CDI
Battery .....	12v-6Ah
Headlight .....	12v 35/35W
Tail/brake light .....	12v 5/21W
Turn signal light .....	12v 10W X 4
Position light .....	12v5W (front & rear)
Fuses .....	7A / 15A

**Dimensions**

Overall length .....	76.7 in (1950 mm)
Overall width .....	27.1 in (690 mm)
Overall height .....	42.3 in (1075 mm)
Wheel base .....	52.5 in (1335mm)
Seat height .....	31.0 in (800 mm)
Dry weight .....	245 lbs (111 kg)

**Capacities**

Engine oil .....	0.96 US qt. (0.91 L)
Transmission oil .....	0.25 qt (0.21 L)
Fuel tank .....	1.8 US gal (6.8 L)
Maximum weight capacity .....	330 lb (150 kg)

**Engine**

Type .....	Four-stroke, air-cooled SOHC
Displacement .....	152 cm <sup>3</sup> (9.23 cu. in)
Bore and stroke .....	2.25 in X 2.27 in (57.4 x 57.8 mm)
Compression ratio .....	9.2:1
Spark plug .....	CR7HSA
Idle speed .....	1700 RPM
Cooling system .....	Forced Air (fan)
Starting system ...	Electric starter motor (kick-start back-up)
Transmission .....	Automatic CVT

**Chassis**

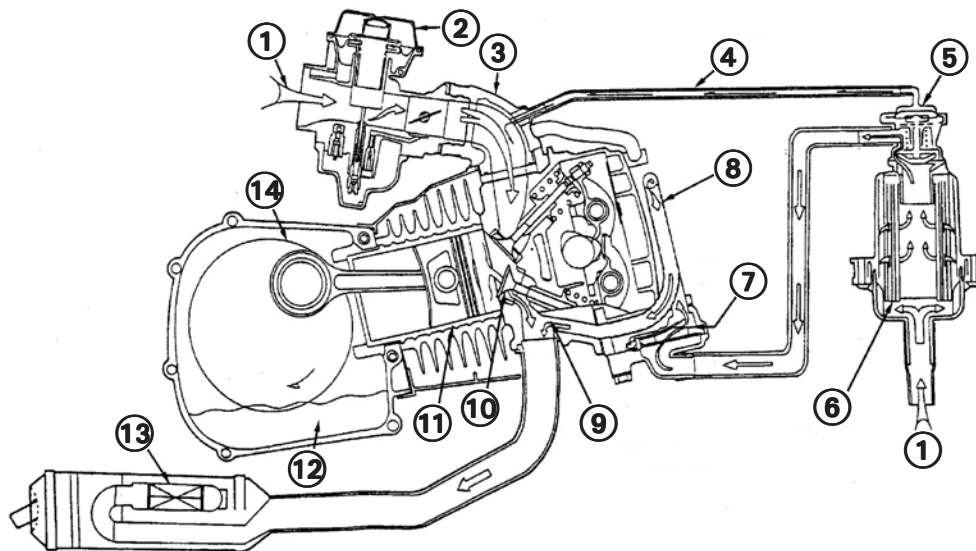
Tire size, front .....	80/80 - 16
Tire size, rear .....	100/80 - 16
Chassis material .....	Steel
Front suspension .....	Telescopic forks
Rear suspension .....	Twin shock absorber
Brake (front) .....	Disc type
Brake (rear) .....	Drum/shoe type

**Electrical**

Ignition type .....	DC-CDI
Battery .....	12v-6Ah
Headlight .....	12v 35/35W
Tail/brake light .....	12v 5/21W
Turn signal light .....	12v 10W X 4
Position light .....	12v5W (front & rear)
Fuses .....	7A / 15A

## KYMCO Clean-Air System

The KYMCO Clean-Air System is a secondary air suction system that helps the exhaust gases to burn more completely. When the engine's exhaust is sent into the exhaust system, it contains some unused fuel. This exhaust is still hot enough to burn the unused fuel. The Clean-Air system introduces more air so the oxygen will then permit the unused fuel to burn in the exhaust system. This continued burning action uses up a great deal of the normally unused fuel and other gases, as well as changing a significant portion of the poisonous carbon monoxide into harmless carbon dioxide. The Clean-Air system does not use any energy from the engine and does not affect the scooter's performance.



- ① Fresh Air
- ② Carburetor
- ③ Intake manifold
- ④ Vacuum hose
- ⑤ Air injection control valve
- ⑥ Air injection air cleaner
- ⑦ Reed valve
- ⑧ Air pipe
- ⑨ Fresh air
- ⑩ Exhaust valve
- ⑪ Piston & cylinder
- ⑫ Engine oil
- ⑬ Catalytic converter
- ⑭ Crankshaft

### Crankcase Emission Control System

Your People scooter's engine is equipped with a closed crankcase system. Blow-by gases are routed back into the combustion chamber via the intake system. This system does not allow the blow-by gases to enter the atmosphere.

### Exhaust Emission Control System

The exhaust emissions from your scooter are controlled by engine design, factory-set fuel delivery, ignition settings, and exhaust system design. This system also includes a catalyzer in the exhaust system.

### Exhaust Noise Emission Control System

The engine, intake and exhaust systems of your scooter were designed to comply with federal, state and local noise level requirements. Do not modify the engine, intake or exhaust components, as doing so will affect compliance with these noise level requirements.

Please do not modify or change any KYMCO-designed components that may alter the sound or emission level from your People scooter.

## KYMCO LIMITED WARRANTY NOISE EMISSIONS

KYMCO USA Inc, 5 Stan Perkins Road, Spartanburg, SC 29307, USA warrants that this vehicle was designed, manufactured and equipped so that when new, it would conform with the applicable Motorcycle Noise Regulations of the U.S. EPA Environmental Protection Agency.

This warranty is not limited to any particular part, component or system of the vehicle. Defects in design, assembly, or in any part, component or system of the vehicle which, at the time of sale to the first purchaser, caused noise emission levels to exceed applicable Federal standards in effect at the time of manufacture, are covered by this warranty.





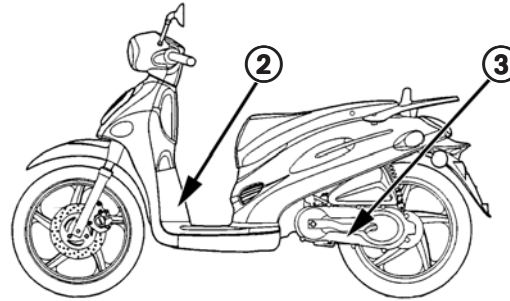
## KYMCO MOTORCYCLE AND SCOOTER LIMITED WARRANTY

KYMCO USA Inc, 5 Stan Perkins Road, Spartanburg, SC 29307, USA warrants for a period of twenty four- (24) months from the date of initial retail purchase from an authorized KYMCO dealer that each new KYMCO motorcycle or scooter shall be free, under normal use and maintenance, from any defect in material and workmanship subject to the following conditions, exclusions, obligations and limitations.

1. **EXCLUSIONS.** The following are specifically excluded from the terms and provisions of this warranty:
  - a. Any KYMCO motorcycle or scooter engaged in competitive racing or related use.
  - b. Any KYMCO motorcycle or scooter utilized for rental purposes.
2. **COVERAGE.** Any material or workmanship found to be defective by KYMCO within the warranty period and limitations shall be repaired without charge for parts or labor at any authorized KYMCO dealer located within the United States of America.
3. **WARRANTY PERIOD.** The warranty is effective from the date of purchase by the original owner with the following limitations:
  - SECTION 1 – All parts and repair labor are covered for the first 365 days.
  - SECTION 2 – Engine and electrical parts and repair labor are covered for the first 540 days.
  - SECTION 3 – Engine parts and repair labor are covered for 730 days.
4. **OWNER'S OBLIGATIONS.** The following obligations must be fulfilled by vehicle's owner to maintain KYMCO warranty coverage:
  - a. Owner must deliver the motorcycle or scooter to an authorized KYMCO dealer or equally qualified service facility for inspection, maintenance, services and adjustments according to the Periodic Maintenance chart contained in the owner's manual.
  - b. All inspection, maintenance services and adjustments are to be performed at the owner's expense.
5. **LIMITATIONS.** This warranty shall not apply to or include any of the following:
  - a. The normal expense of routine maintenance services and adjustments. This also includes parts that require replacement due to normal wear, such as spark plugs, drive chains, belt drives, air cleaner elements, brake shoes, cables, fuses, oils, coolants and tires.
  - b. Damage from the lack of periodic maintenance, or damage resulting from repairs, adjustments, maintenance operations, or the use of non-genuine parts or accessories, fuel or fluids that do not follow KYMCO service recommendations.
  - c. Damage caused by collision, improper operation, or caused by loading beyond the vehicle's rated load capacity.
  - d. Damage caused by modifications made to the vehicle to increase performance.
  - e. Damage caused by improper storage or transport, or towing or transportation expenses to move the vehicle to a KYMCO dealer for service or repair.
  - f. Damage caused by natural disasters such as fires, floods, collision or theft, or any damage caused by the passage of time such as fading, peeling or other deterioration caused by outside elements.
  - g. Repair or replacement of worn items caused by the use of the motorcycle or scooter and normal operational characteristics such as engine sounds, vibration, seepage (and other situations not considered defects by KYMCO).
6. **LIMITED LIABILITY.**
  - a. The liability of KYMCO under the twenty four- (24) month warranty is limited solely to the remedying of defects materials or workmanship by an authorized KYMCO dealer at its place of business during customary business hours. This warranty does not cover inconvenience or loss of use of the motorcycle or scooter, or transportation of the motorcycle or scooter to or from a KYMCO dealer.  
 KYMCO SHALL NOT BE LIABLE FOR ANY OTHER EXPENSE, LOSS OR DAMAGE, WHETHER DIRECT, INCIDENTAL, CONSEQUENTIAL OR EXEMPLARY ARISING IN CONNECTION WITH THE SALE OR USE OF, OR INABILITY TO USE, THE KYMCO MOTORCYCLE OR SCOOTER FOR ANY PURPOSE. SOME STATES DO NOT ALLOW THE EXCLUSION OR LIMITATION OF ANY INCIDENTAL OR CONSEQUENTIAL DAMAGES, SO THE ABOVE LIMITATION OR EXCLUSION MAY NOT APPLY TO YOU.
    - a. NO EXPRESS WARRANTY IS GIVEN BY KYMCO WITH RESPECT TO THE KYMCO MOTORCYCLE OR SCOOTER EXCEPT AS SPECIFICALLY SET FORTH HEREIN. ANY WARRANTY IMPLIED BY LAW, INCLUDING ANY WARRANTY OF MERCHANTABILITY OR FITNESS FOR A PARTICULAR PURPOSE, IS EXPRESSLY LIMITED TO THE TWENTY FOUR- (24) MONTH WARRANTY TERM SET FORTH HEREIN. THE FOREGOING STATEMENTS OF WARRANTY ARE EXCLUSIVE AND IN LIEU OF ALL OTHER REMEDIES. SOME STATES DO NOT ALLOW LIMITATIONS ON HOW LONG AN IMPLIED WARRANTY LASTS, SO THE ABOVE LIMITATIONS MAY NOT APPLY TO YOU.
    - b. No dealer is authorized to modify this KYMCO Limited motorcycle or scooter Warranty.
7. **LEGAL RIGHTS.** THIS WARRANTY GIVES YOU SPECIFIC LEGAL RIGHTS, AND YOU MAY ALSO HAVE OTHER RIGHTS WHICH VARY FROM STATE TO STATE.

Issue Number: xxxxxxxxxxxxxxxxx  
 Revised: June 5, 2008

Accessories & Modifications .....	6	Headlight Dimmer Switch .....	12	Right-hand Handlebar Switch .....	11
Air Filter Maintenance .....	46	Helmet Hooks .....	13 - 14	Scooter Safety .....	3 - 4
Battery .....	48 - 50	Horn & Lights Inspection .....	28 - 29	<b>SECTION 1 - SAFETY .....</b>	<b>2 - 6</b>
Brake Fluid Level Inspection .....	51 - 52	Horn Button .....	12	<b>SECTION 2 - CONTROLS &amp; FEATURES</b>	<b>7 - 17</b>
Brake Inspection .....	24 - 27	Identification Numbers Record .... (inside of back-cover)		<b>SECTION 3 - OPERATION .....</b>	<b>18 - 38</b>
Brake Lever & Shoe Adjustment .....	52	Ignition Switch & Steering Lock .....	10 - 11	<b>SECTION 4 - MAINTENANCE .....</b>	<b>39 - 58</b>
Break-in Recommendations .....	18 - 19	Importance of Maintenance .....	39	Spark Plug .....	47
CA Prop 65 W arning .....	(inside of front-cover)	Index .....	64	Specifications (People 150) .....	60
Chassis Inspection .....	29 - 30	Instrument Inspection .....	28	Specifications (People 50) .....	59
Cleaning Your Scooter .....	53 - 54	Instruments .....	15 - 16	Starting the Engine (electric start) .....	30 - 32
Clock .....	16	Keys .....	10	Starting the Engine (kick start) .....	32
Electric Start Button .....	11	KYMCO Limited Scooter W arranty .....	63	Steering & Handlebar Inspection .....	27
Emission - KYMCO Clean Air System .....	61	Left-hand Handlebar Switch .....	12	Storage .....	55 - 56
Emission Information & EP A Warranty .....	62	Load Limits & Guidelines .....	5	Table of Contents .....	1
Engine Oil Inspection .....	21	Locations of Parts & Controls .....	7 - 8	Tire Break-in .....	19
Engine Oil Level Inspection & Change .....	43 - 44	Main Stand .....	14	Tire Inspection .....	21 - 22
Engine Oil .....	43	Maintenance Record .....	57 - 58	Tire Pressure .....	42
Engine-stop Switch .....	11	Maintenance Schedule .....	40 - 41	Tires .....	42
Foreword .....	2	Manual Icon Legend .....	(inside of front-cover)	Transmission Fluid Change .....	45
Front Luggage Box .....	16	Parking Your Scooter .....	37 - 38	Troubleshooting .....	19
Fuel Level / Filler Cap .....	23	Passenger Foot Rests .....	17	Turn Signal Switch .....	12
Fuel System .....	48	Pre-ride Inspection .....	20 - 30	Under-seat Storage Compartment .....	13
Fuses .....	50	Rear Shock Absorbers .....	17	Vehicle Identification Numbers .....	9
		Riding Your Scooter .....	33 - 37	Wire & Cable Covers .....	51



## 1. IGNITION SWITCH KEY IDENTIFICATION NUMBER

The ignition switch key identification code is stamped on tab ① supplied with the key. If you require a replacement key, you will need this code to obtain a new key from your authorized KYMCO dealer. Record the key number in the box above.

## 2. VEHICLE IDENTIFICATION NUMBER (VIN)

## 3. ENGINE SERIAL NUMBER (ESN)

Record the Vehicle Identification Number ② and Engine Serial Number ③ in the boxes above for future reference (to assist you in ordering parts from your authorized KYMCO dealer or for reference in case the vehicle is stolen).

NOTE: *Your scooter's keys may differ in appearance from those shown in this manual.*



**5 Stan Perkins Road  
Spartanburg, SC 29307  
Telephone: (888) 235-3417  
FAX: (864) 327-4745**

**Prepared: June 2009  
T300-BA30AC-US-A5**