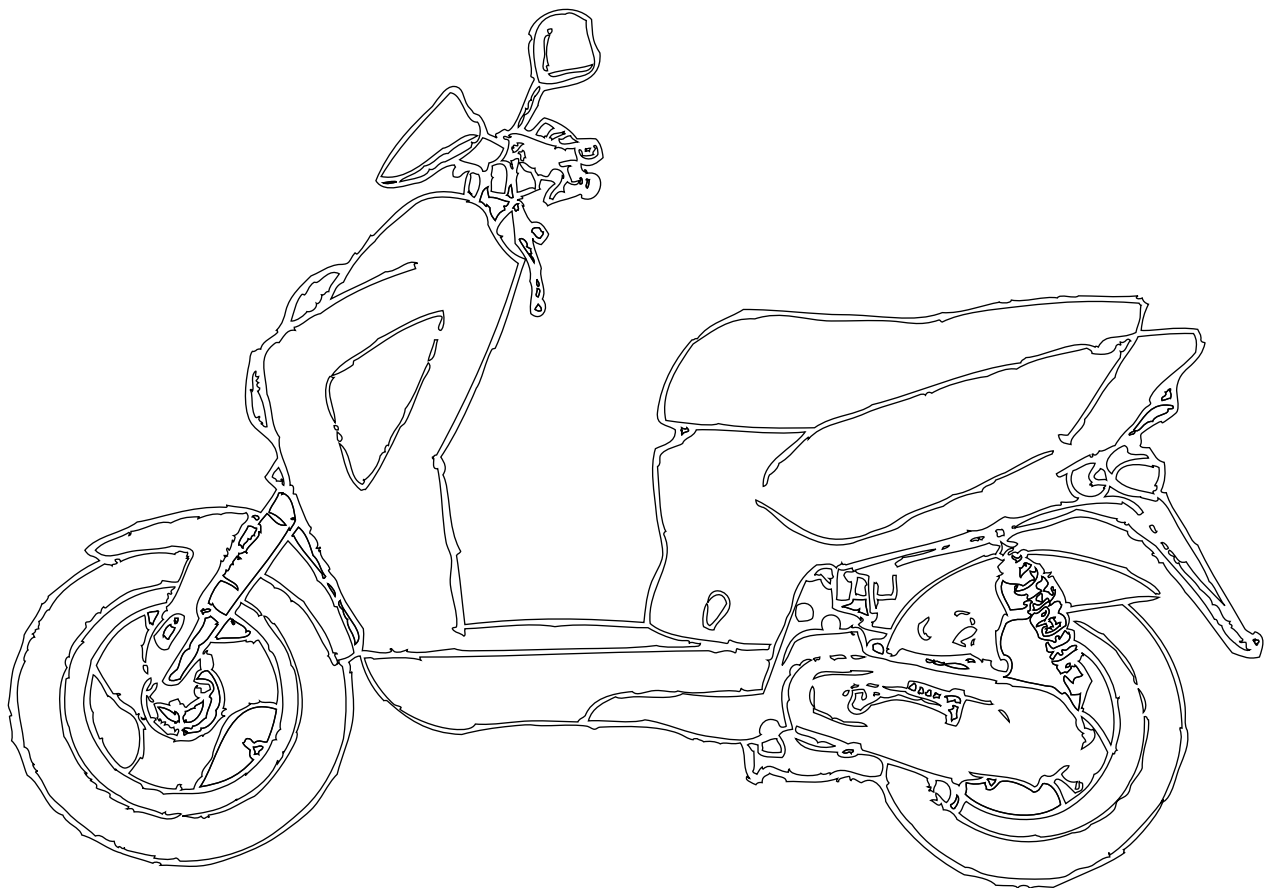


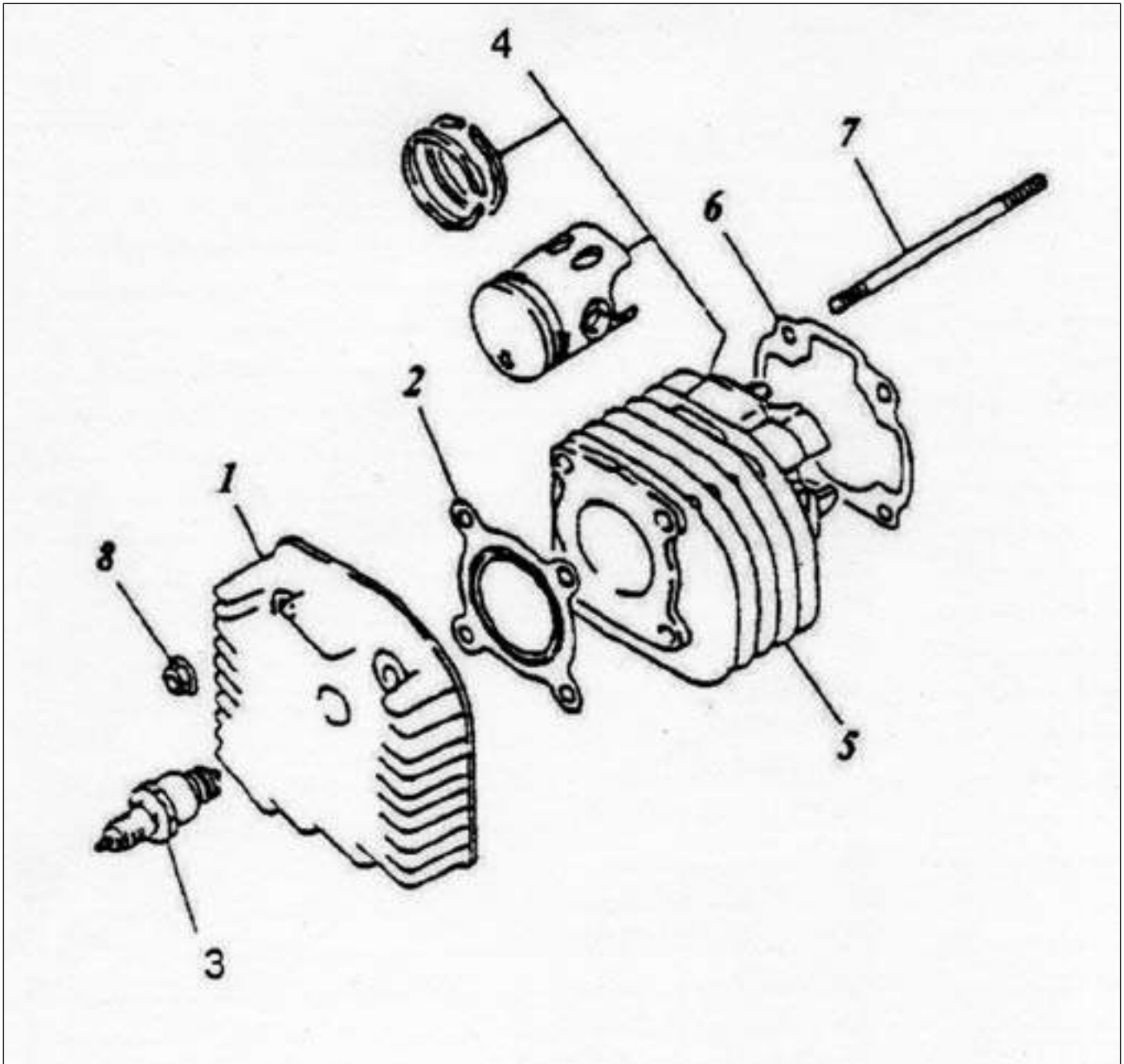
DUE50



DUE50

CONTENTS		PAGE
01	CYLINDER HEAD COVER	4
02	CRANKSHAFT, PISTON	6
03	FAN, AIR SHROUD	8
04	OIL PUMP (EPA)	10
05	REED VALVE, AIR CLEANER	12
06	CARBURETOR	14
07	EXHAUST	16
08	CRANKCASE	18
09	STARTER	20
10	CLUTCH	22
11	TRANSMISSION	24
12	GENERATOR, STARTING MOTOR	26
13	FRAME BODY	28
14	COWLING, FRONT FENDER	30
15	BODY COVER (REAR CARRIER)	32
16	FUEL TANK, OIL TANK	34
17	FRONT FORK	36
18	SEAT	38
19	FRONT WHEEL	40
20	REAR WHEEL	42
21	HANDLE, CABLES	44
22	FLOOR PANEL, MAIN STAND	46
23	FRONT COVER, INNER BOX	48
24	FRONT SIGNAL, HANDLE SWITCH	50
25	SPEEDOMETER	52
26	TAIL LIGHT	54
27	FRONT MASTER CYLINDER	56
28	ELECTRICAL PARTS	58
29	ELECTRICAL PARTS	60
30	(DOT) HEAD LIGHT	62

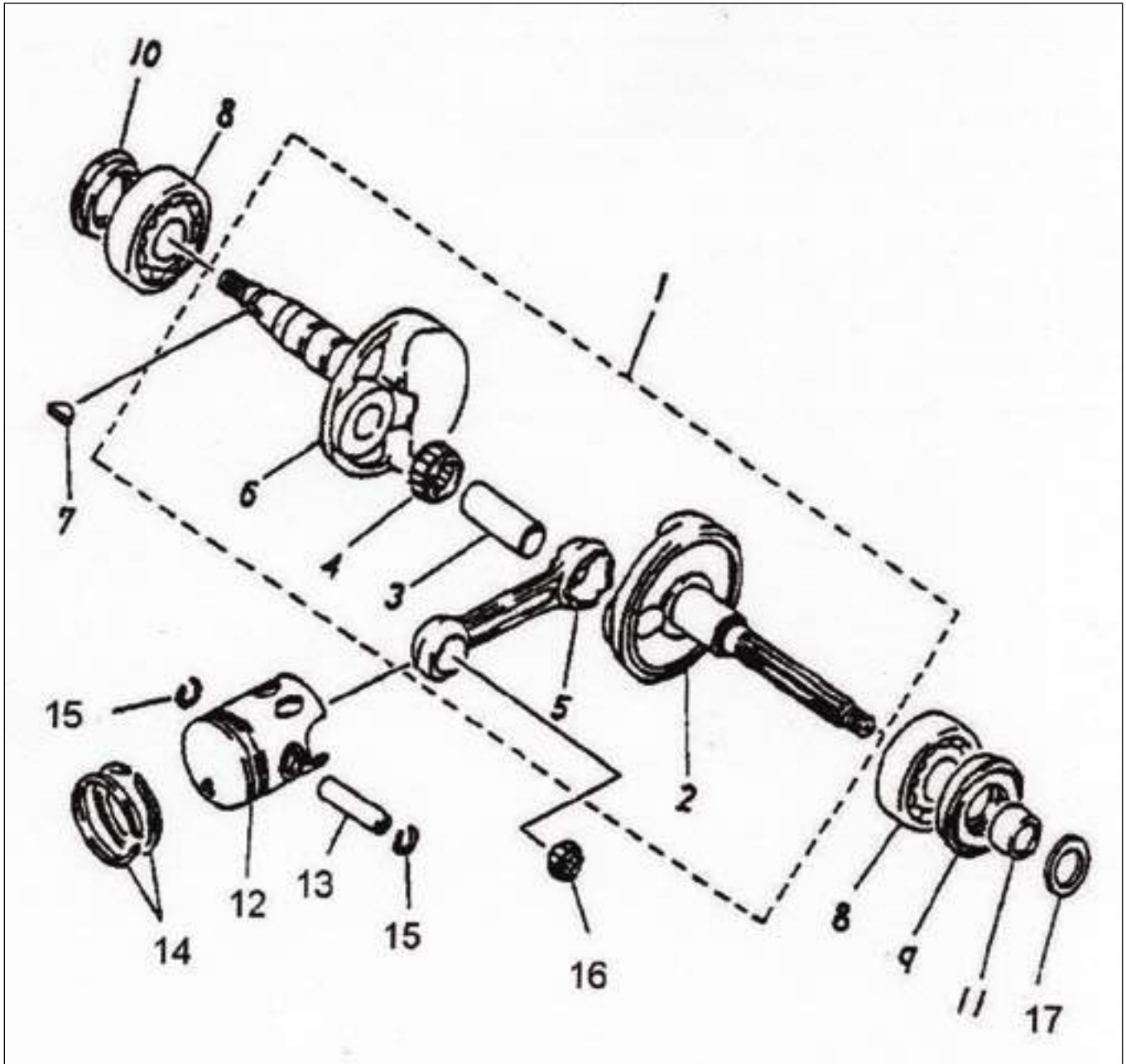
CYLINDER, CYLINDER HEAD



01: (96/61)CYLINDER, CYLINDER HEAD

ITEM	PARTS NO.	UNIT QUANTITY	PARTS DESCRIPTION	NOTES
1	12201-116-000	1	CYLINDER HEAD	
2	12251-116-000	1	CYLINDER HEAD GASKET	
3	98076-101-00A	1	RESISTANCE SPARK PLUG	BPR7HS
4	12301-116-000	1	CYLINDER COMP	
5	12101-116-000	1	CYLINDER	
6	12191-116-000	1	CYLINDER GASKET	
7	91001-07110C	4	STUD BOLT	7*110
8	94050-07000C	4	HEX FLANGE NUT WITH SERRATION	7MM

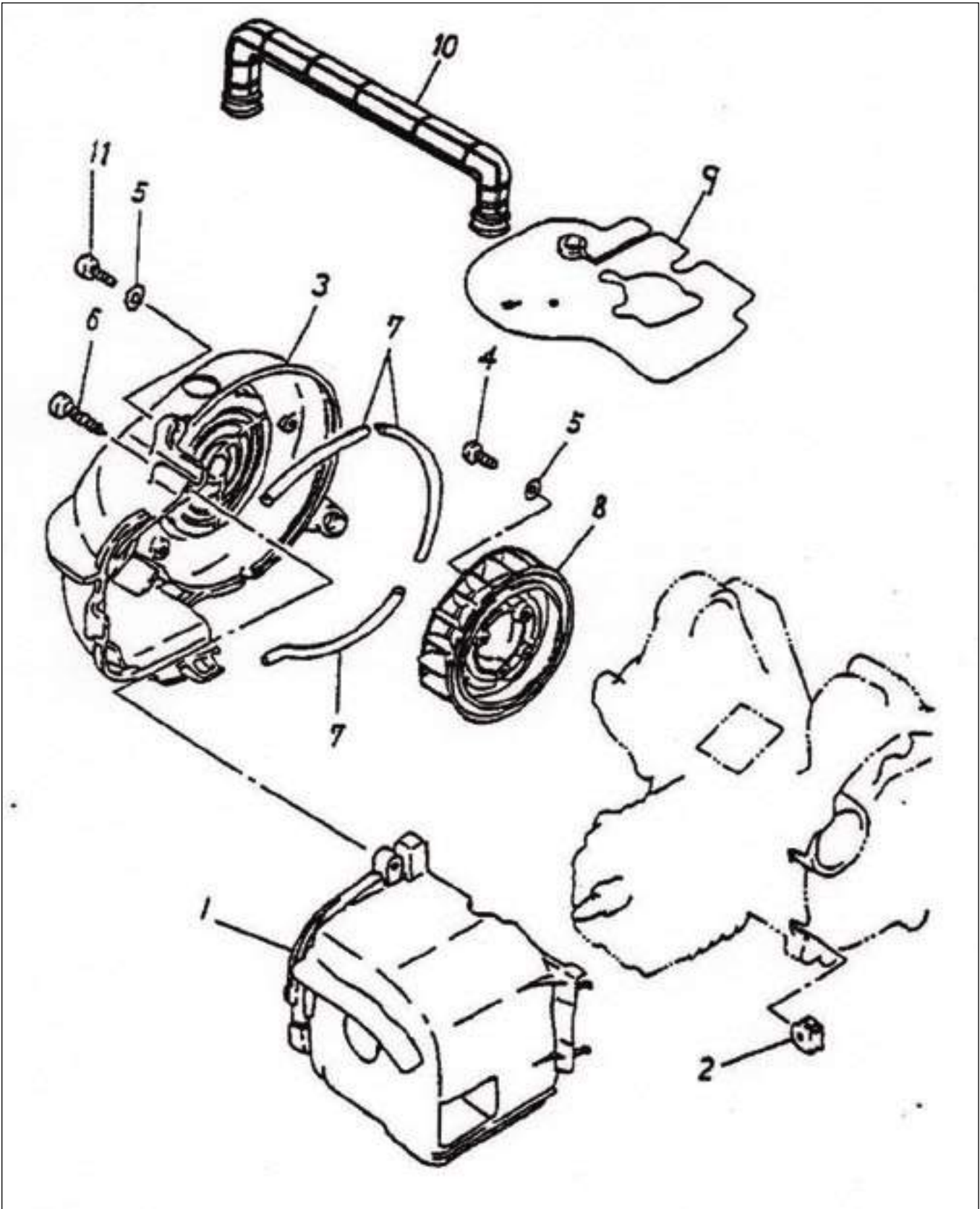
CRANKSHAFT, PISTON



02: CRANKSHAFT, PISTON

ITEM	PARTS NO.	UNIT QUANTITY	PARTS DESCRIPTION	NOTES
1	13000-116-000	1	CRANKSHAFT ASSY'S	
2	13321-116-000	1	LEFT CRANK	
3	13381-116-000	1	CRANK PIN	
4	96200-162212	1	NEEDLE BEARING	16*22*12
5	13201-116-000	1	CRANK CONNECTION ROD	
6	13311-116-000	1	RIGHT CRANK	
7	90471-104-000	1	SEMICYCLE KEY	3*13
8	96100-62040	2	RADIAL BALL BEARING	6204C3
9	96500-20428	1	OIL SEAL	20*42/43*8/9
10	96500-20306	1	OIL SEAL	20*30/33*6
11	13316-116-000	1	LEFT CRANK COLLAR	15*20*12
12	13100-116-000	1	PISTON	
13	13111-104-000	1	PISTON PIN	7*10*33
14	13011-116-000	1	PISTON RING SET	STD
15	13115-104-000	2	PISTON PIN CLIP	1.0*12
16	96200-101412	1	NEEDLE BEARING	10*14*12.5
17	94101-1319005A	1	PLAIN WASHER	13*19*0.5

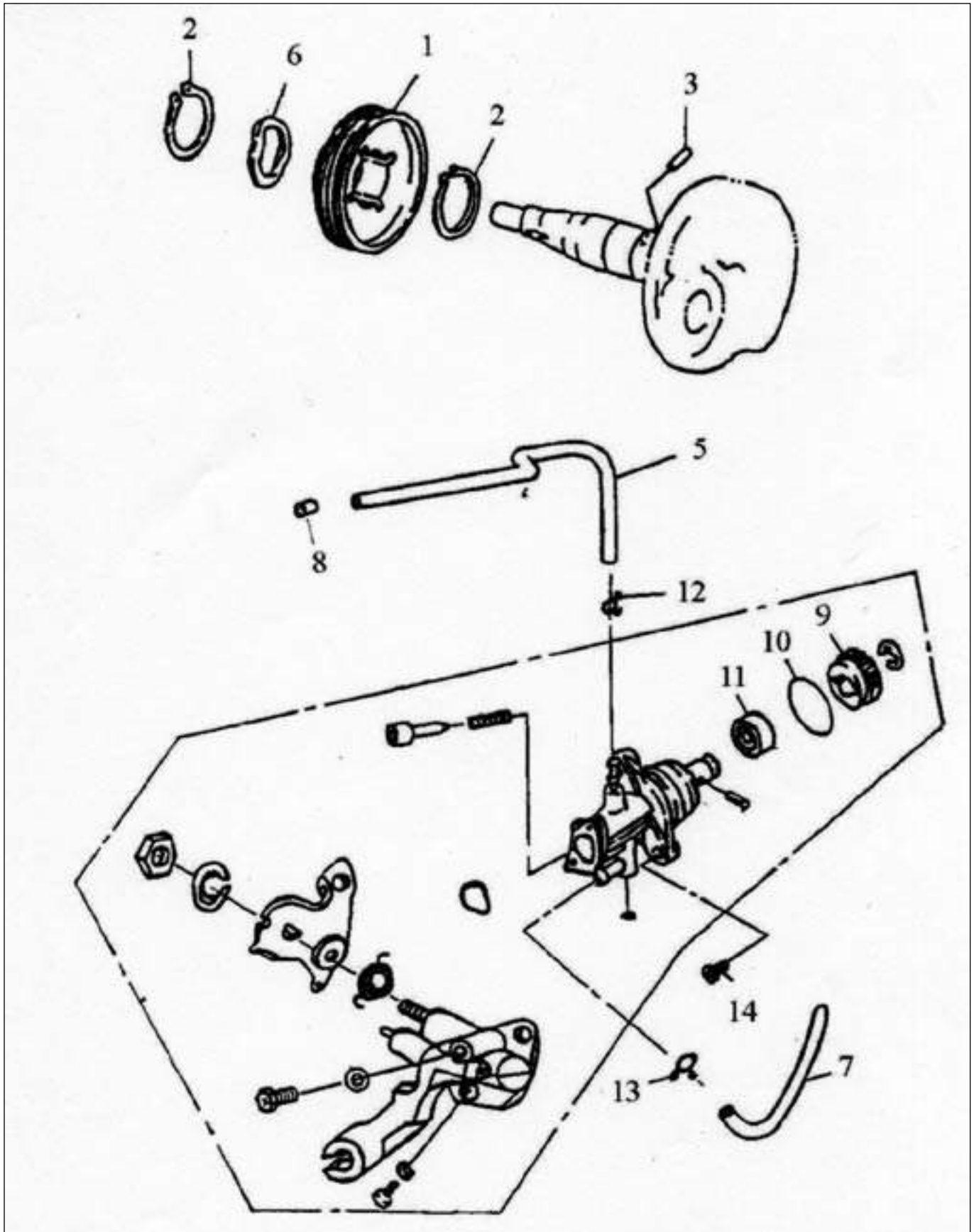
FAN SHROUD



03: FAN SHROUD

ITEM	PARTS NO.	UNIT QUANTITY	PARTS DESCRIPTION	NOTES
1	19620-116-000	1	CYLINDER SHROUD	
2	83552-116-000	2	GROMMET	
3	19610-116-001	1	GENERATOR COVER (HOLE)	#NAME?
4	91000-06015B	4	HEX SOCKET BOLT	6*15
5	94101-0613010B	6	PLAIN WASHER	6*13*1
6	93903-06040B	1	TAPPING SCREW TRUSS HEAD PHILLIPS	5*40
7	17632-116-000	2	DAMPER	
8	19510-116-000	1	FAN	
9	55122-116-000	1	DEFLECTOR	
10	11211-116-000	1	TUBE BREATHER	
11	91000-06020B	2	HEX SOCKET BOLT	6*20
12	19612-145-000	1	GENERATOR OUTER COVER	
13	93903-05012K	1	TAPPING SCREW TRUSS HEAD PHILLIPS	5*12

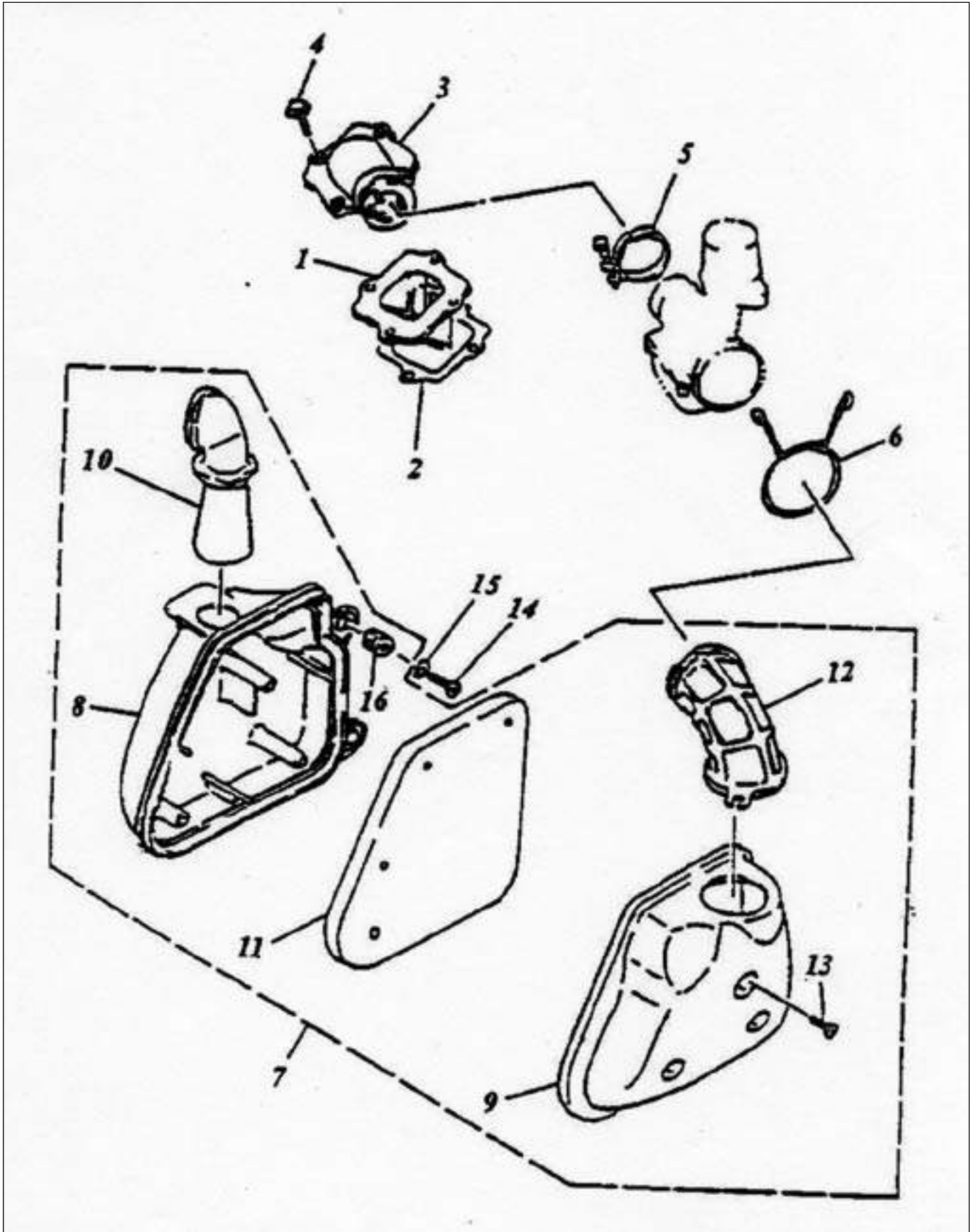
OIL PUMP



04: OIL PUMP (EPA)

ITEM	PARTS NO.	UNIT QUANTITY	PARTS DESCRIPTION	NOTES
1	15150-104-000	1	PUMP DRIVE GEAR	
2	94511-1900S	2	EXTERNAL CIR CLIP	STW-19
3	96300-030118	1	CRANK SHAFT PIN	3*11.8
4	15100-116-00C	1	OIL PUMP	
5	94400-0205250	1	OIL TUBE	2*5*250
6	15151-104-000	1	WAVE WASHER	19.2*26*0.3
7	94400-0408300	1	TUBE	4.8*8*300
8	15101-116-000	1	STEEL RING	4MM
9	15136-110-000	1	OIL PUMP WORMWHEEL	40T
10	91319-110-000	1	OIL RING	19.3*1.6
11	96500-09164	1	OIL SEAL	9.5*16*4
12	94510-05000	2	CLIP	5*0.6
13	94510-08000	2	CLIP	8*0.8
14	93500-05015B	2	PAN PHILLIPS BOLT	M5*16

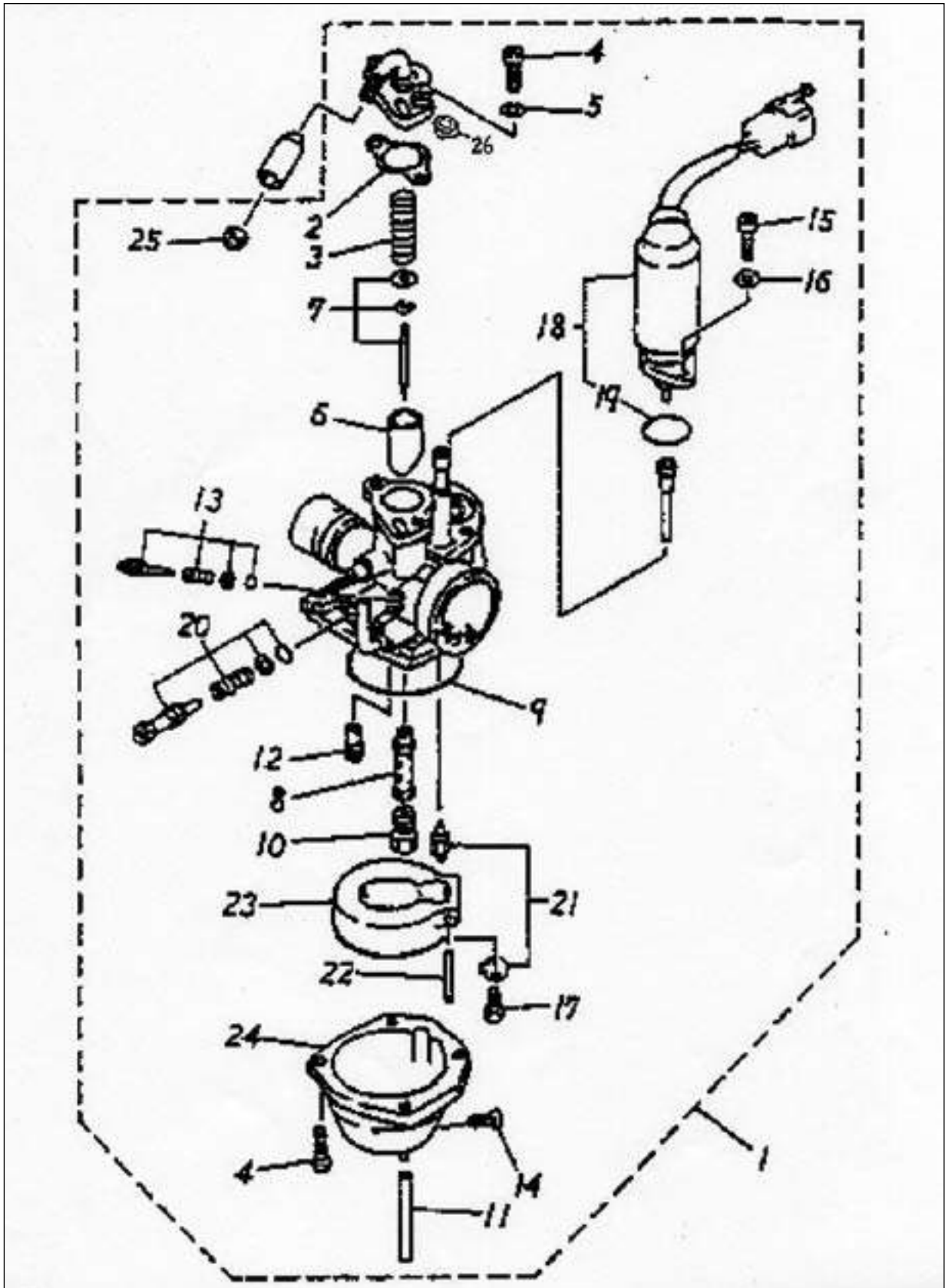
REED VALVE, AIR CLEANER



05: REED VALVE, AIR CLEANER

ITEM NO.	PARTS NO.	UNIT QUANTITY	PARTS DESCRIPTION	NOTES
1	14100-116-000	1	REED VALVE ASS'Y (REV.1)	
2	17111-116-000	1	REED VALVE GASKET	
3	17100-116-000	1	INTAKE MANIFOLD (3XG)	
4	96000-06018-08C	4	HEX WASHER FACE BOLT	6*18
5	14110-104-000	1	INTAKE MANIFOLD HOSE CLAMP	8MM 1.25
6	94510-40000	1	CLIP	40*2.3
7	17200-116-000	1	AIR CLEANER ASSY'S	ECO
8	17206-116-001	1	AIR CLEANER BASE	
9	17207-116-000	1	AIR CLEANER COVER	
10	17219-116-000	1	GUIDE PIPE	
11	17205-116-000	1	AIR CLEANER ELEMENT	
12	17253-116-001	1	AIR CLEANER JOINT	ECO
13	93903-05025	3	TAPPING SCREW TRUSS HEAD PHILLIPS	5*25
14	91000-06020	2	HEX SOCKET BOLT	6*20
15	94101-0613010B	2	PLAIN WASHER	6*13*1
16	96485-116-000	2	GROMMET	

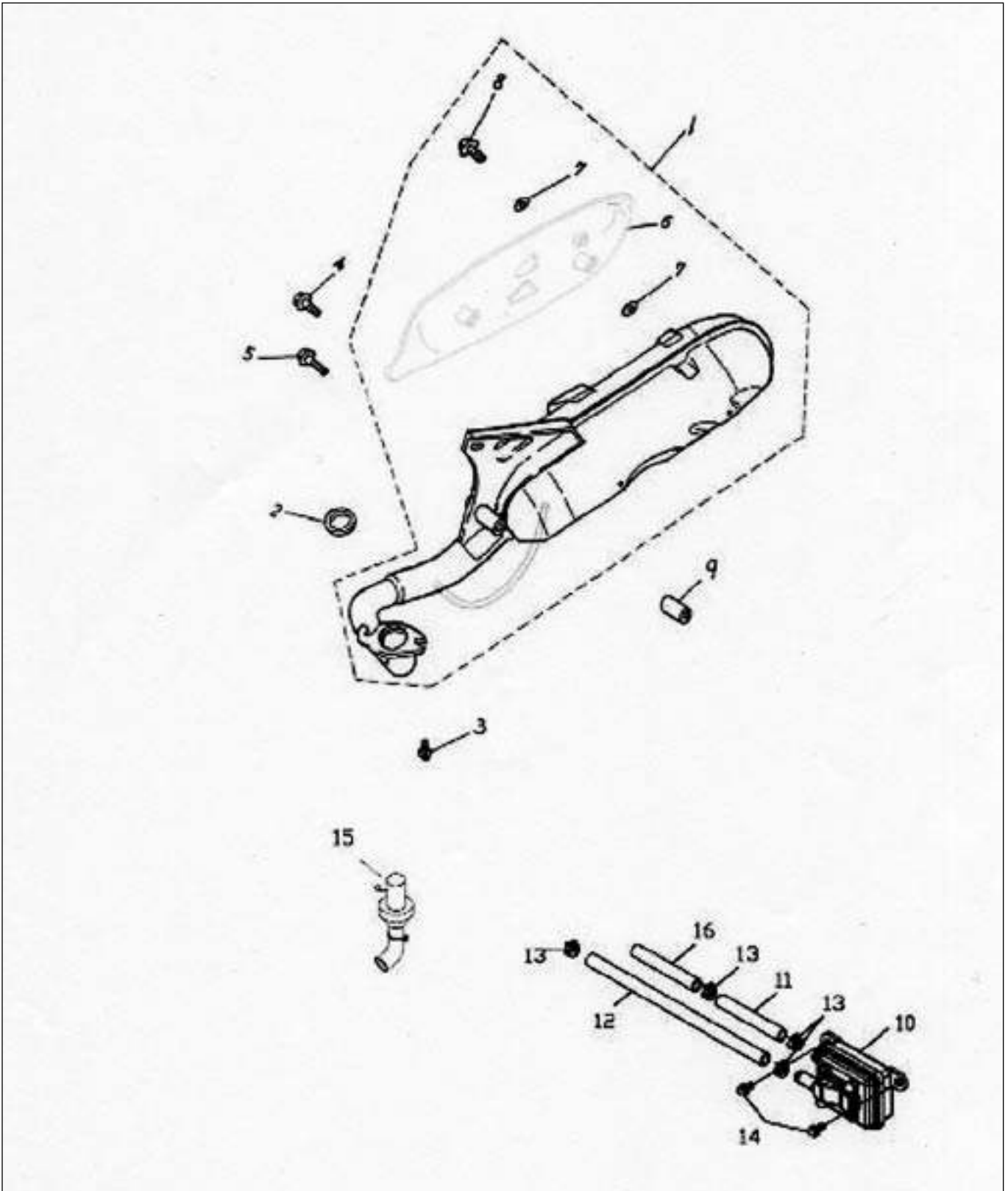
CARBURETOR



06: CARBURETOR

ITEM	PARTS NO.	UNIT QUANTITY	PARTS DESCRIPTION	NOTES
1	16100-116-00A	1	CARBURETOR ASSY'S	#75
2	16101-116-000	1	CARBURETOR GASKET	
3	16102-116-000	1	THROTTLE VALVE SPRING	
4	93500-04014	6	PAN PHILLIPS BOLT	4*14
5	94111-0407010	2	SPRING WASHER	4*7*1
6	16103-116-000	1	THROTTLE VALVE	
7	15104-116-000	1	NEEDLE SET	
8	16105-116-000	1	NEEDLE NOZZLE	E-1
9	16106-116-000	1	FLOAT CHAMBER SEAL	
10	16108-116-000	1	MAIN NOZZLE	(#75)
11	16109-116-000	1	OVERFLOW TUBE	4*7
12	16110-116-000	1	PILOT JET	#17.5
13	16115-116-000	1	AIR ADJUST SCREW SET	
14	16111-116-000	1	DRAIN PLUG	
15	93500-04008	2	PAN PHILLIPS BOLT	4*8
16	94111-0406510	2	SPRING WASHER	4*6.5*1
17	93500-03008	1	PAN PHILLIPS BOLT	3*8
18	17215-116-000	1	PLUNGER STARTER	
19	91314-116-000	1	OIL RING	14*1.5
20	16114-116-000	1	THROTTLE SCREW SET	
21	16117-116-00A	1	NEEDLE VALVE ASSY'S	
22	16119-116-000	1	FLOAT PIN	
23	16118-116-000	1	FLOAT	
24	16107-116-000	1	FLOAT CHAMBER	
25	16113-116-000	1	CABLE ADJUST NUT	
26	16148-116-000	1	CARBURETOR REDUCER	11*14*10

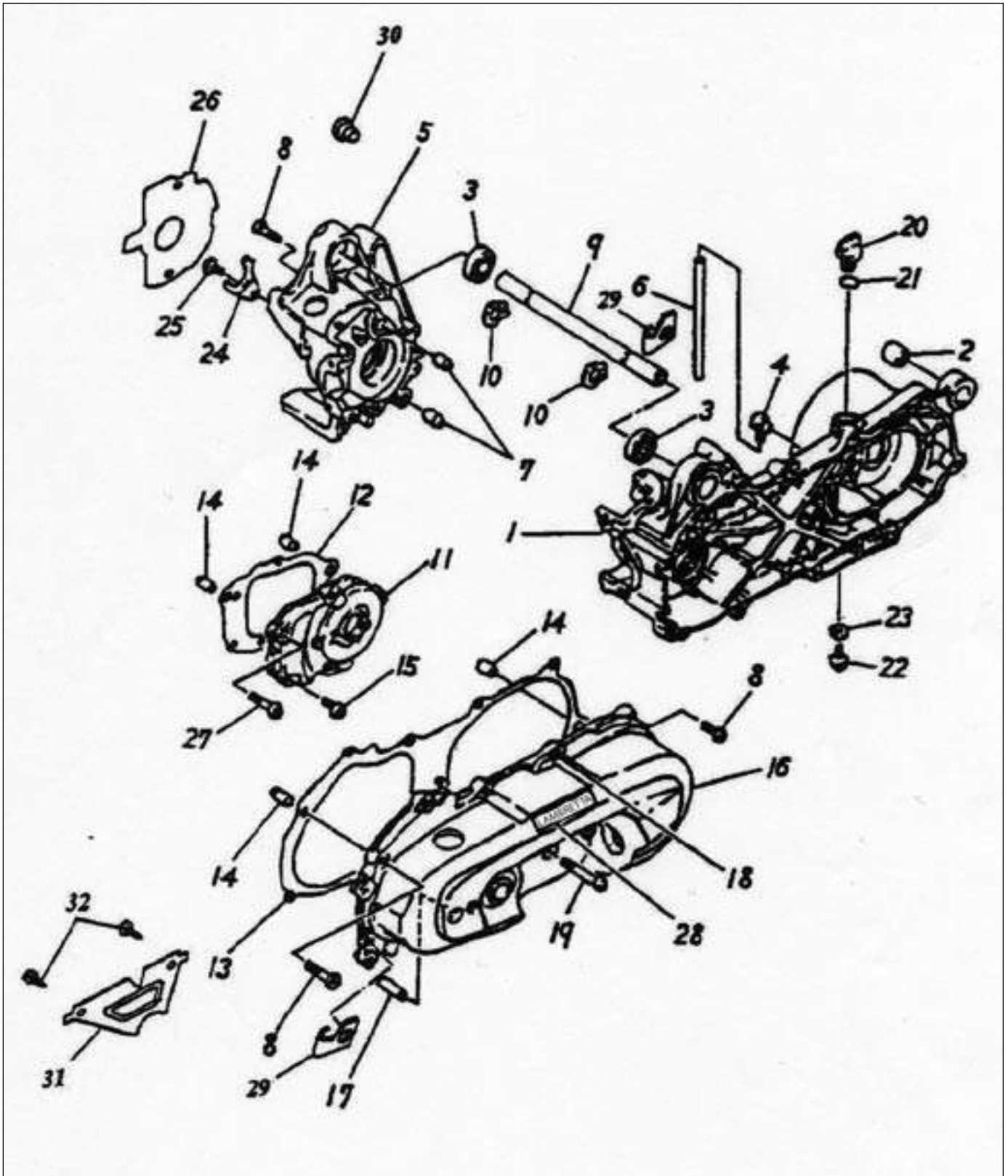
EXHAUST



07: EXHAUST

ITEM NO.	PART NO.	UNIT QUANTITY	PART DESCRIPTION	NOTES
1	18300-135-000	1	EXHAUST PIPE ASSY'S	CATA
2	18291-104-000	1	EXHAUST PIPE GASKET	
3	92001-06018-10B	2	HEX HEAD PHILLIPS BOLT	6*18
4	96000-08048-12K	1	HEX WASHER FACE BOLT	
5	96000-08065-12K	1	HEX WASHER FACE BOLT	
6	18301-116-00A	1	MUFFLER PROTECTOR	
7	18292-104-000	6	MUFFLER SHROUD GASKET	6*12*1.5
8	96000-06012-08	3	HEX WASHER FACE BOLT	6*12
9	18302-116-000	1	COLLAR	10*15*23
10	17410-116-000	1	REED VALVE COMP	
11	17411-116-00A	1	REED VALVE COMP IN PIPE	
12	17412-116-000	1	REED VALVE COMP EX PIPE	130MM
13	94513-16000	4	SPRING CLAMP	16MM
14	96000-06016-10G	2	HEX WASHER FACE BOLT	6*16
15	1736A-175-000	1	CATCH TANK COMP	
16	17197-128-000	1	EXHAUST RETURN OIL TUBE A	

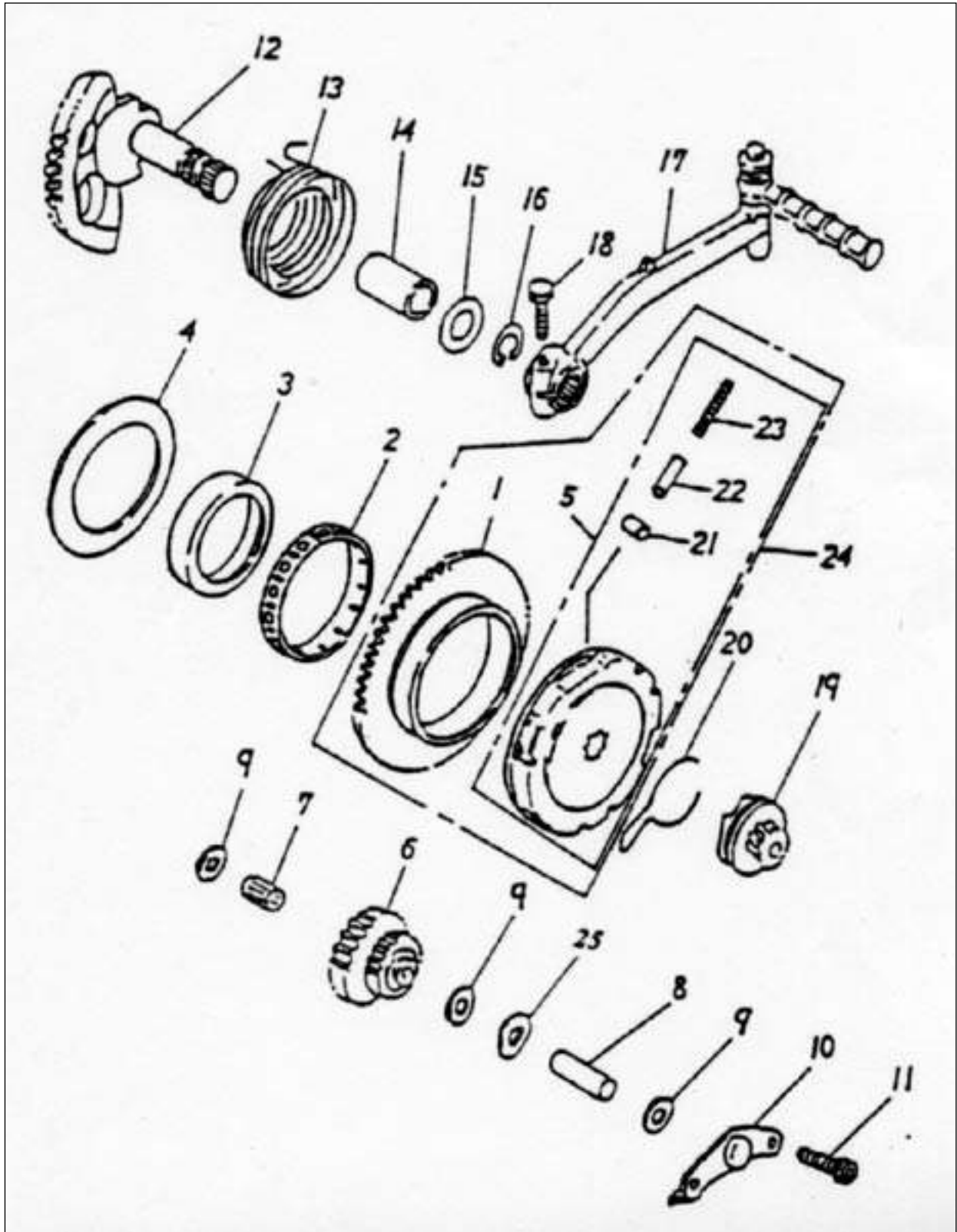
CRANKCASE



08: CRANKCASE

ITEM NO.	PART NO.	UNIT QUANTITY	PART DESCRIPTION	NOTES
1	11201-116-000	1	LEFT CRANKCASE(REV.5)	
2	96400-082020	1	RUBBER BUSHING	8*20*20
3	96100-6003U	2	RADIAL BALL BEARING	600LLU
4	16610-104-000	1	BREATHER HOSE HEAD	
5	11101-116-000	1	RIGHT CRANKCASE(REV.4)	
6	11101-116-000	1	BREATHER HOSE	
7	94301-12160	2	DOWEL PIN	8.5*12*16
8	91000-06035B	8	HEX SOCKET BOLT	6*35
9	11150-116-000	1	CRANKCASE FIX SHAFT	12.5*17*227
10	94511-1700S	2	EXTERNAL CIRCLIP	STW-17
11	21301-116-000	1	MISSION COVER	
12	21395-116-000	1	MISSION COVER GASKET	
13	11359-116-000	1	CRANKCASE COVER GASKET	
14	94301-10140	4	DOWEL PIN	8*10*14
15	91000-06020B	3	HEX SOCKET BOLT	6*20
16	11341-116-001	1	LEFT CRANKCASE COVER (HOLE)	
17	96300-080320	1	SHAFT IDLER	8*32
18	91000-06025B	9	HEX SOCKET BOLT	6*25
19	91000-06060B	1	HEX SOCKET BOLT	6*60
20	15650-201-000	1	OIL PLUG	M14*P1.5
21	91312-104-000	1	OIL RING	11.8*2.6
22	96000-08012-10C	1	HEX WASHER FACE BOLT	8*12
23	94104-0816020	1	PLAIN WASHER	8*16*2
24	11111-104-000	1	OIL SEAL BRACKET	
25	91000-06010B	1	HEX SOCKET BOLT	6*10
26	11121-116-000	1	GENERATOR GASKET	
27	91000-06030B	2	HEX SOCKET BOLT	
28		1	"LAMBRETTA" STICKER	
29	11351-104-000	2	CARBURETOR TUBE BRACKET	
30	11102-116-000	1	PROTECT SHROUD	
31	11342-116-000	1	PLATE COVER	
32	93903-04008K	2	TAPPING SCREW TRUSS HEAD	
33	11351-120-00A	1	CLAMP	
34	11100-116-000	1	LEFT/RIGHT CRANKCASE	

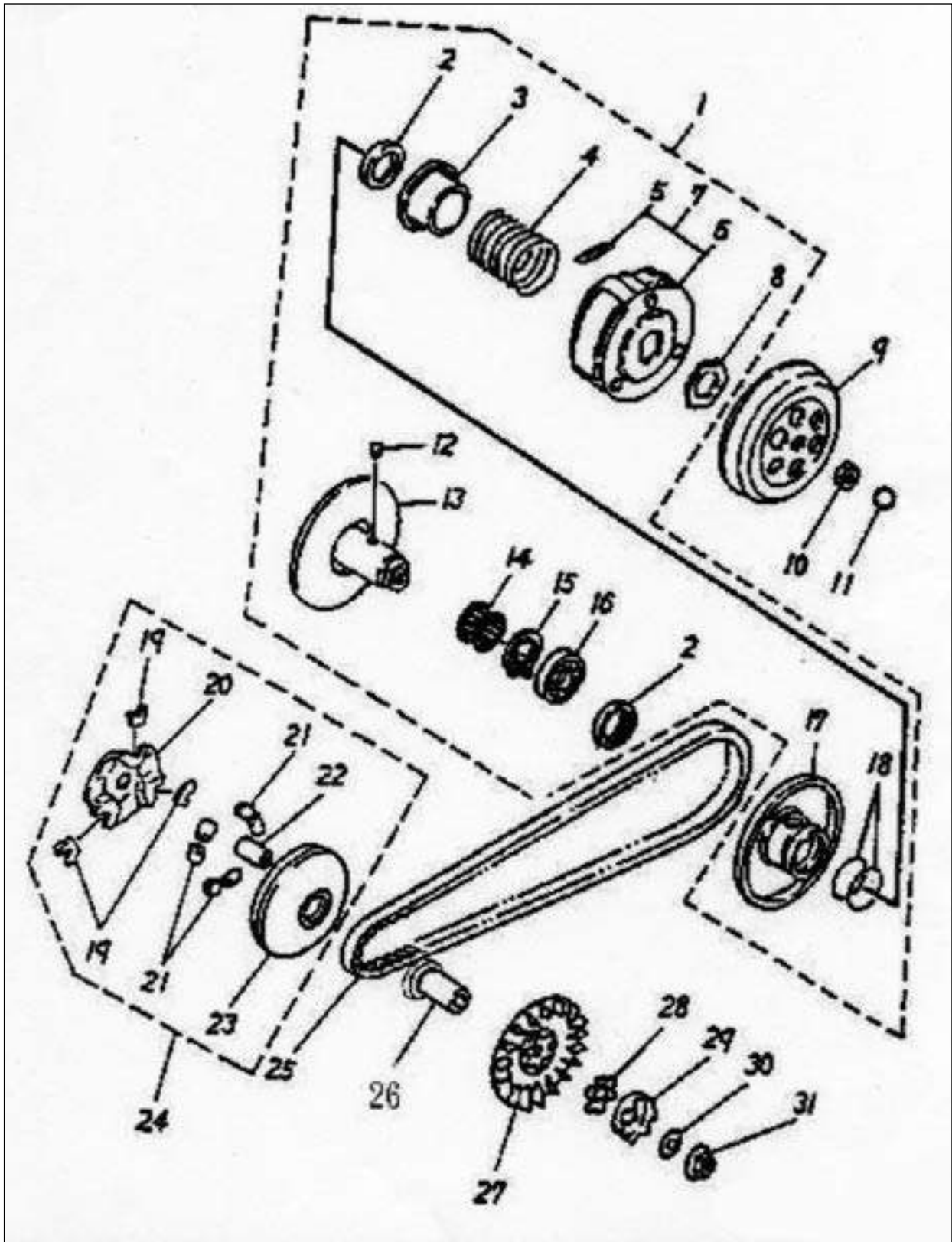
STARTER



09: STARTER

ITEM NO.	PARTS NO.	UNIT QUANTITY	PARTS DESCRIPTION	NOTES
1	28220-116-000	1	STARTER WHEEL	
2	96200-555912	1	NEEDLE BEARING	55*59*12.5
3	96202-116-000	1	BOSS	
4	94101-5676006A	1	PLAIN WASHER	56*76*0.6
5	28410-116-001	1	ELECTRIC STARTER CLUTCH SET	
6	23422-116-000	1	IDLER GEAR	
7	96200-081210	1	NEEDLE BEARING	8*12*10
8	96300-080320	1	SHAFT IDLER	8*32
9	94101-0818008A	3	PLAIN WASHER	8.2*18*0.8
10	94101-0818008A	1	IDLER GEAR PLATE	
11	91000-06010	2	HEX SOCKET BOLT	6*10
12	28250-116-0A0	1	STARTING SHAFT ASS'Y	
13	28281-110-000	1	STARTING SHAFT RESET SPRING	
14	96401-152030	1	BUSHING	15*20*30
15	94101-1528010	1	PLAIN WASHER	15.2*28*1
16	94511-1500S	1	EXTERNAL CIR CLIP	STW-15
17	28300-104-000	1	KICK CRANK ASS'Y	
18	96000-06025-10	1	HEX WASHER FACE BOLT	6*25
19	28230-104-0A0	1	KICK PINION ASS'Y	
20	28223-104-000	1	KICK PINION SPRING CLIP	
21	28411-116-001	1	CLUTCH ROLLER	6*7
22	28412-116-000	3	CLUTCH GUIDER	
23	28413-116-001	3	CLUTCH SPRING	
24	28400-116-001	1	ELECTRIC STARTER CLUTCH ASS'Y	
25	92022-851618	1	WAVE WASHER	8.5*16*1.8

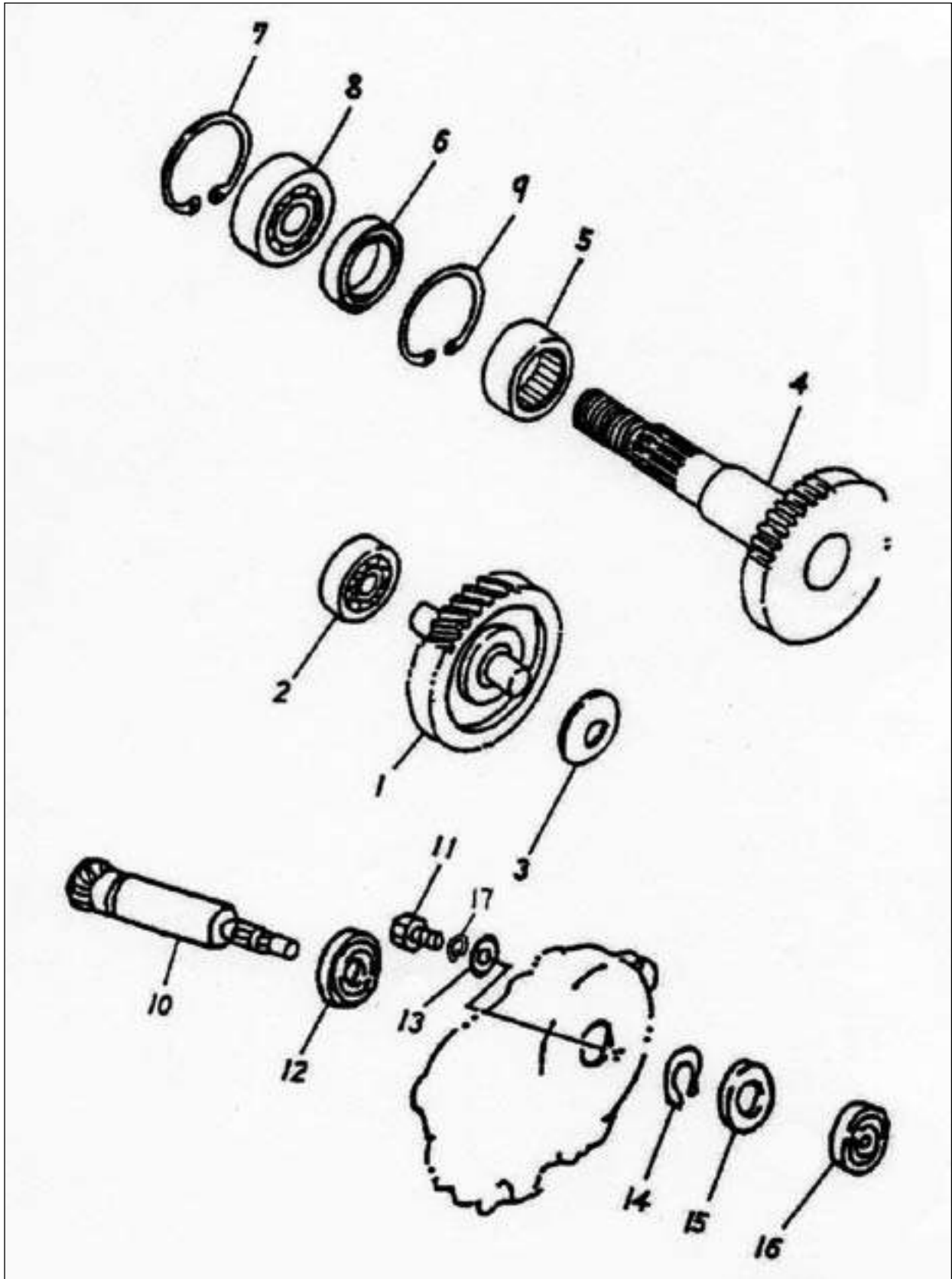
CLUTCH



10: (EU2-45km)wCLUTCH

ITEM	PARTS NO.	UNIT QUANTITY	PARTS DESCRIPTION	NOTES
1	22000-116-00A	1	DRIVE FAC ASS'Y	
2	96500-33394	2	OIL SEAL	33*39*4
3	23237-116-000	1	SECONDARY SPRING SEAT	
4	23233-116-00A	1	CLUTCH REDUCER SPRING	L75
5	22401-116-000	3	CLUTCH WEIGHT SPRING	
6	22350-116-000	1	CLUTCH CARRIER	
7	22535-116-000	1	CLUTCH WEIGHT SET	
8	90202-116-000	1	NUT	28*38*4
9	22100-116-000	1	CLUTCH COVER COMP	
10	94001-10000	1	RH HEX JAM NUT	10MM
11	91313-104-000	1	OIL RING	12.5*3
12	23225-116-000	2	GUIDE PIN	
13	23200-116-000	1	SECONDARY FIX SLOT PIN	
14	96200-172518	1	NEEDLE BEARING	HKS-17*25*18
15	94512-240IR	1	INTERNAL CIR CLIP	IRTW-24
16	96100-6901U	2	RADIAL BALL BEARING	6901LU
17	23220-116-000	1	SECONDARY SLIDING SLOT	
18	91336-104-000	2	OIL RING	36*2
19	22132-104-000	3	CAM PLATE SLIDER	
20	22132-104-000	3	CAM PLATE SLIDER	
21	22131-116-000	1	CAM PLATE	33*39*4
22	22121-116-000	6	WEIGHT ROLLER	
23	96401-182322	1	BUSHING	18*23*22.5
24	22110-116-000	1	PRIMARY SLIDING SLOT WHEEL	
25	22103-116-000	1	SLIDING DRIVE FACE ASS'Y	A
26	23100-117-000	1	V-BELT	
27	96401-131838B	1	BUSHING	13*18*18*9
28	22102-116-000	1	PRIMARY FIX SHEAVE	
29	22150-110-000	1	LOCK WASHER	
30	22140-110-000	1	ONEWAY CLUTCH	
31	22145-104-000	1	CONE SPRING WASHER	10.2*24*2.6
32	94050-10000	1	HEX FLANGE NUT WITH SERRA-	10MM
33	22133-116-000	1	CAM PLATE ASS'Y	

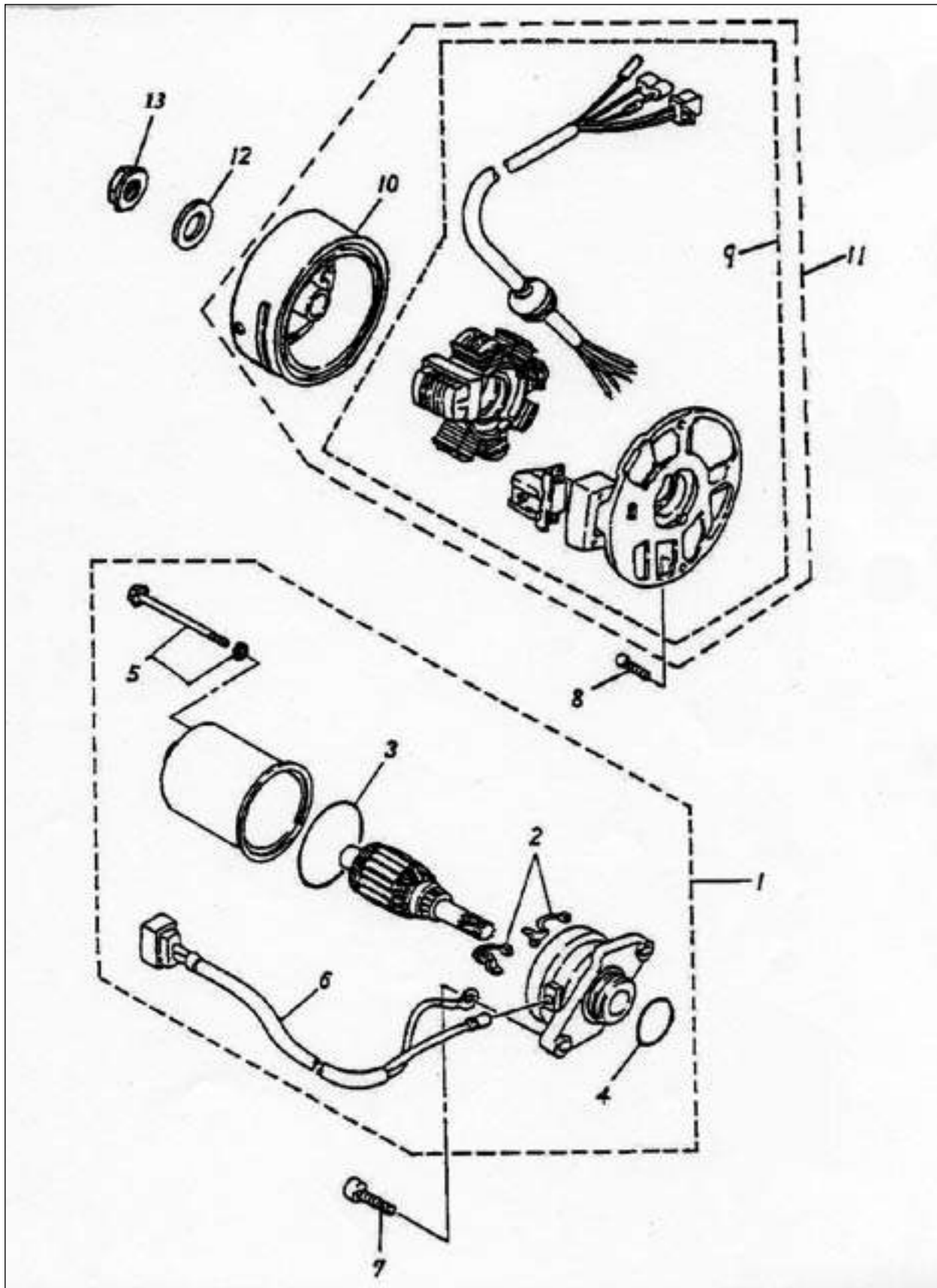
(45km) TRANSMISSION



11: (45km) TRANSMISSION

ITEM NO.	PARTS NO.	UNIT QUANTITY	PARTS DESCRIPTION	NOTES
1	23420-116-000	1	MAIN AXLE COMP	48/12T
2	96100-6201	1	RADIAL BALL BEARING	6201
3	94101-1229016A	1	PLAIN WASHER	12.2*29*1.6
4	23430-116-000	1	DRIVE AXLE	36T
5	96200-253315	1	NEEDLE BEARING	HMK2515
6	96500-25356	1	OIL SEAL	25*35*6
7	94512-4300R	1	INTERNAL CIR CLIP	RTW-43
8	96100-6004U	1	RADIAL BALL BEARING	6004 LU
9	94512-3400R	1	INTERNAL CIR CLIP	RTW-34
10	23411-116-000	1	PRIMARY DRIVE GEAR	13T
11	92000-06010-10B	1	HEX BOLT	6*10
12	96100-60030	1	RADIAL BALL BEARING	6003
13	94101-0620005A	1	PLAIN WASHER	6*20*0.5
14	94511-1700S	1	EXTERNAL CIRCLIP	STW-17
15	96500-17285	1	OIL SEAL	17*28*5.5
16	96100-638RD	1	RADIAL BALL BEARING	638RD
17	94111-0612015B	1	SPRING WASHER	6*12*1.5

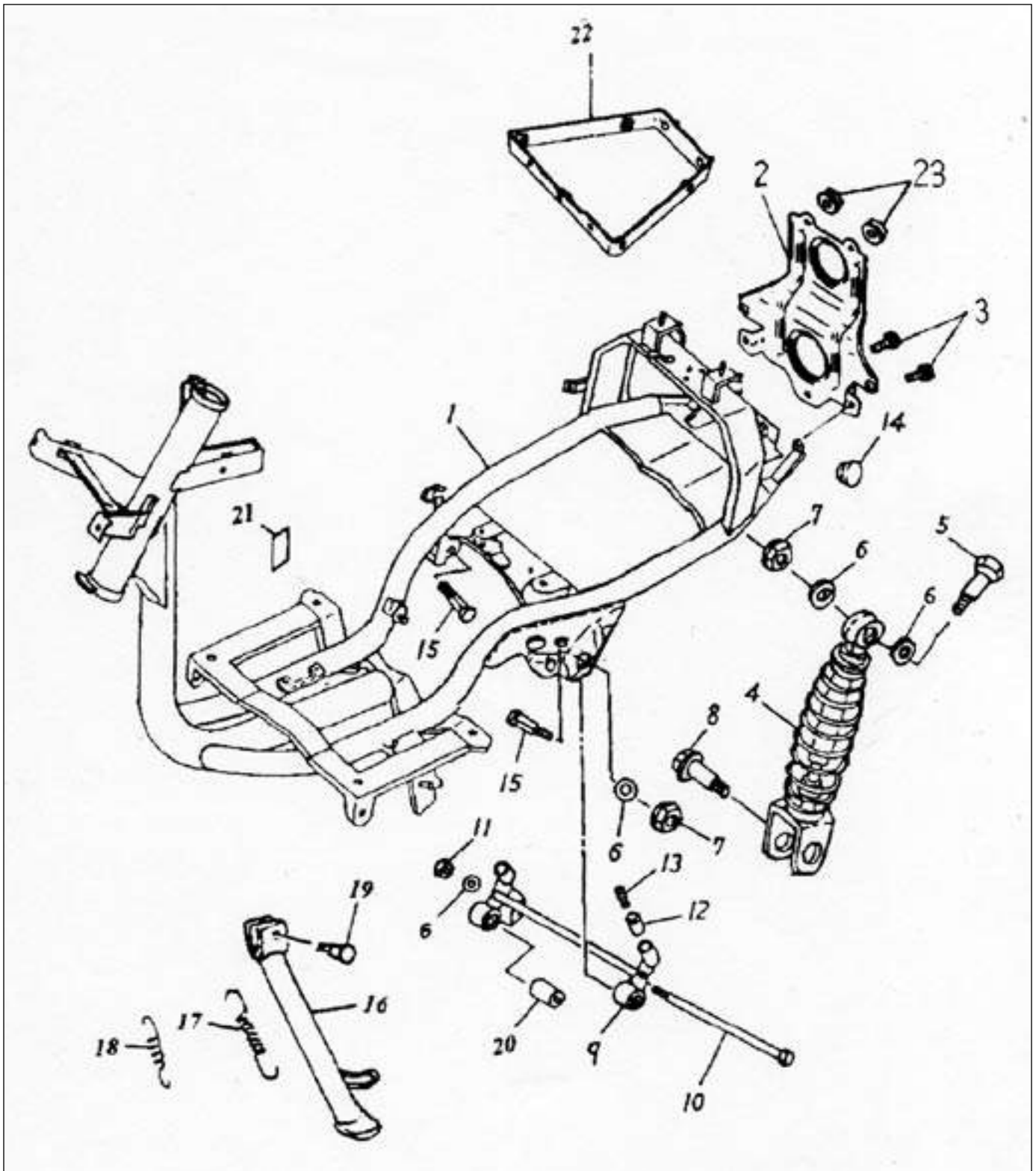
GENERATOR, STARTING MOTOR



12: GENERATOR, STARTING MOTOR

ITEM NO.	PARTS NO.	UNIT QUANTITY	PARTS NAME	NOTES
1	31200-116-000	1	STARTING MOTOR ASS'Y	
2	31201-116-000	1	BRUSH SET	
3	91342-104-000	1	OIL RING	42*1.5
4	91323-104-000	1	OIL RING	23*2
5	90115-116-000	2	BOLT SET	
6	31202-116-000	1	CORD COMP.	
7	91000-06020	2	HEX SOCKET BOLT	6*20
8	91000-06015B	2	HEX SOCKET BOLT	6*15
9	31120-116-000	1	STATOR COMP.	
10	31110-116-000	1	GENERATOR FLY WHEEL	
11	31100-116-000	1	GENERATOR ASS'Y	
12	94101-1022015C	1	PLAIN WASHER	10*22*1.5
13	94050-10000C	1	HEX FLANGE BUT WITH SERRATION	10MM

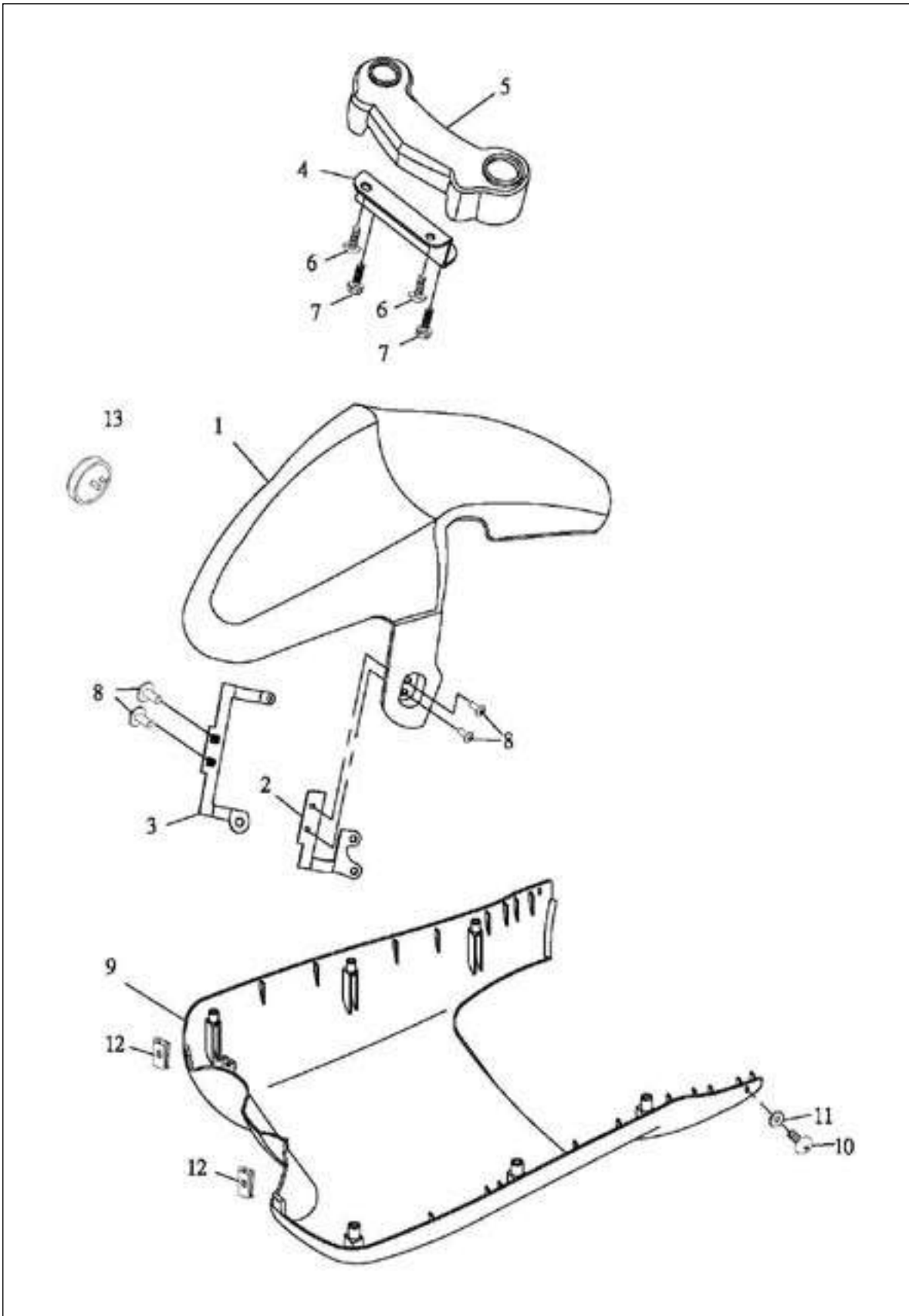
FRAME BODY



13: (EU2) FRAME BODY

ITEM NO.	PARTS NO.	UNIT QUANTITY	PARTS DESCRIPTION	NOTES
1	50100-159-00B	1	FRAME COMPLETE	
2	50357-159-000	1	TAIL LIGHT FIX BRACKET	
3	92000-06018-10K	3	HEX BOLT	6*18
4	52400-116-001	1	REAR CUSHION ASS'Y	
5	92000-10040-17B	1	HEX BOLT	10*40
6	94101-1022015B	4	PLAIN WASHER	10*22*1.5
7	90350-10000C	3	NYLON NUT	10MM*1.25
8	96000-08032-12B	1	HEX WASHER FACE BOLT	8*32
9	50350-116-000	1	ENGINE BRACKET ASS'Y	
10	96000-12250-21C	1	HEX WASHER FACE BOLT	12*250
11	90350-12000C	1	NYLON INSERT LOCK NUT	12MM
12	50352-104-000	2	BRACKET SNUBBER RUBBER	
13	50351-104-000	2	BRACKET SNUBBER RING	
14	96421-116-000	2	RUBBER CAP	
15	90103-116-000	2	ENGINE MOUNTING SQUARE BOLT	10*50
16	50530-125-000	1	SIDE STAND	
17	95014-71404	1	SIDE STAND RESET SPRING	
18	95014-71404A	1	SIDE STAND RESET SPRING (SMALL)	
19	90108-116-000	1	HEX BOLT	8*25
20	96400-103030	2	RUBBER BUSHING	10*30*30
21	50110-101-00D	1	I.D. PLATE	
22	81205-159-000	1	INNER CARRIER	
23	94050-06000C	2	HEX FLANGE NUT	6MM
24	50110-125-00E	1	ALUMINUM PLATE	

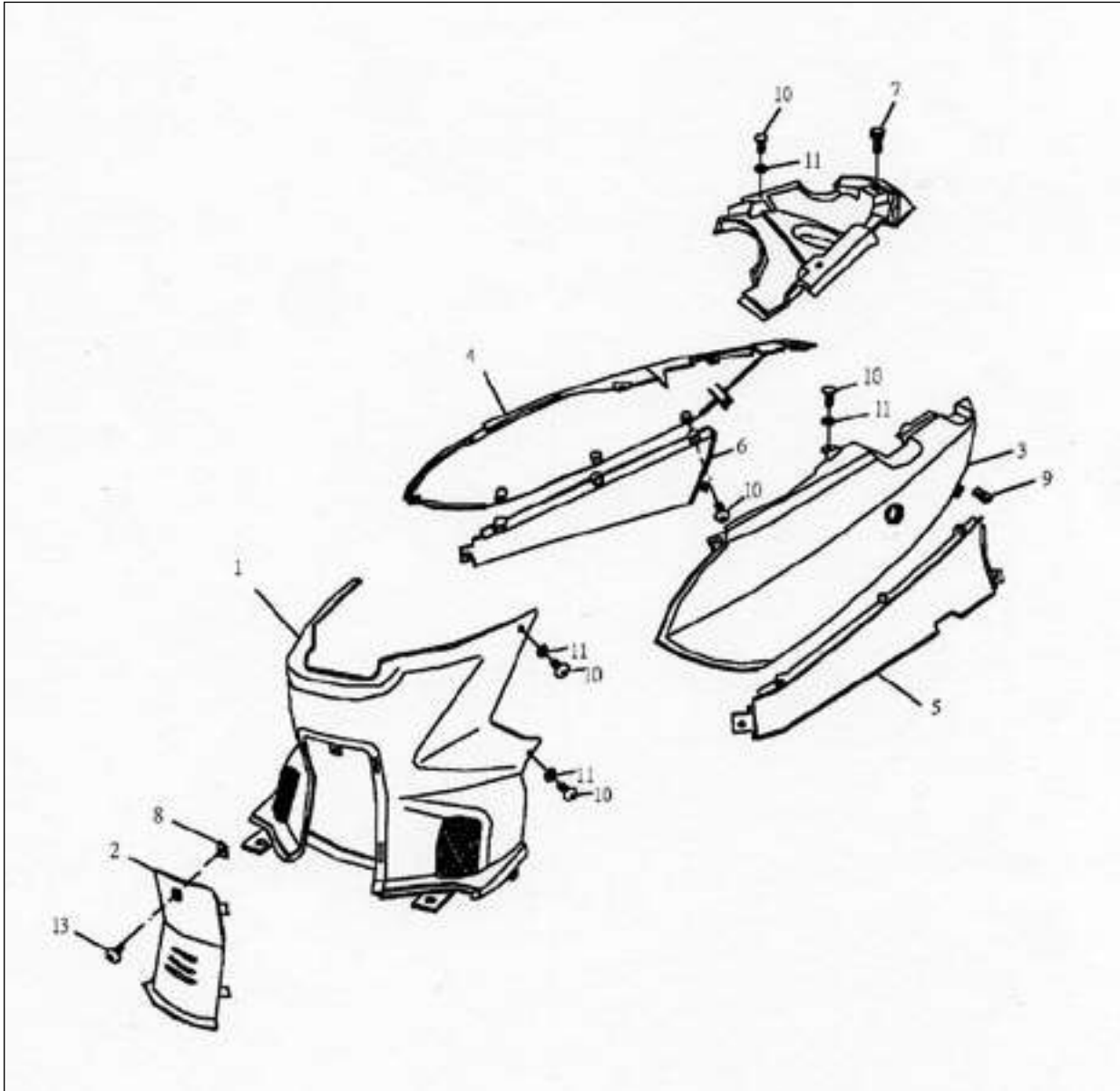
COWLING, FRONT FENDER



14: COWLING, FRONT FENDER

ITEM NO.	PARTS NO.	UNIT QUANTITY	PARTS DESCRIPTION	NOTES
1	61100-159-000	1	FRONT FENDER	
2	61103-116-000	1	L. BRACKET FOR FRONT FENDER	
3	61104-116-000	1	R. BRACKET FOR FRONT FENDER	
4	61106-159-001	1	FRONT FENDER BRACKET (INNER)	
5	61105-159-000	1	FRONT FENDER (INNER)	
6	93903-05012K	2	TAPPING SCREW TRUSS HEAD PHILLIPS	5*12
7	96000-06012-10G	2	HEX WASHER FACE BOLT	6*12
8	93800-06012S	4	PAN PHILLIPS BOLT	6*12
9	50150-159-000	1	COWLING	
10	93903-05016K	2	TAPPING SCREW TRUSS HEAD PHILLIPS	5*16
11	94101-0514010K	2	PLAIN WASHER	5*14*1
12	90344-04000K	2	U PLATE NUT	4MM
13	33741-145-000	2	REFLECTOR	SAE JUTE 982

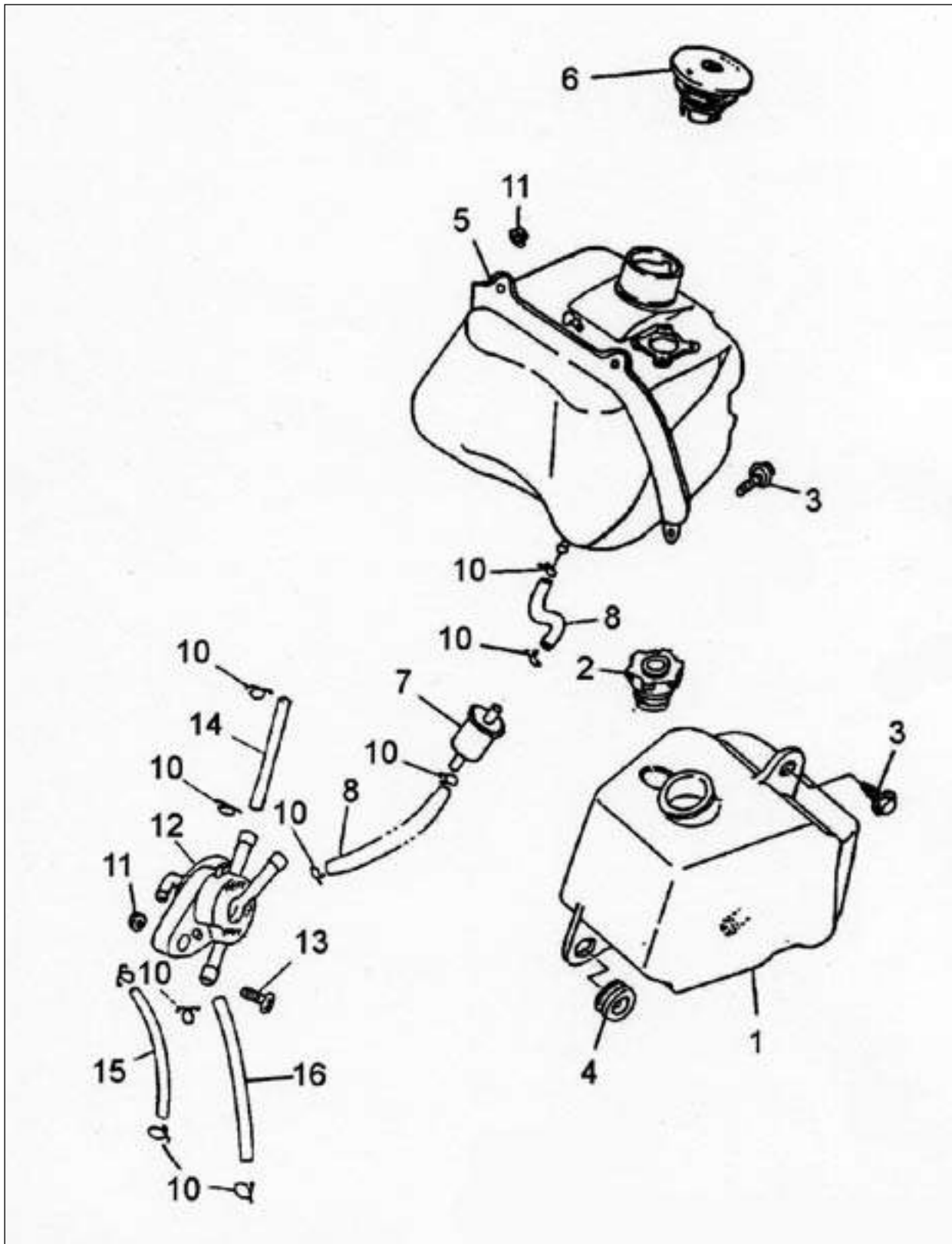
BODY COVER



15: BODY COVER (REAR CARRIER)

ITEM NO.	PARTS NO.	UNIT QUANTITY	PARTS DESCRIPTION	NOTES
1	83400-159-000	1	BODY CENTER COVER	
2	31506-159-000	1	BODY CENTER COVER	
3	83600-159-000	1	LEFT BODY COVER	
4	83500-159-000	1	RIGHT BODY COVER	
5	83603-159-000	1	LEFT SIDE COVER	
6	83503-159-000	1	RIGHT SIDE COVER	
7	93701-06015S	1	PAN PHILLIPS BOLT	6*15
8	90344-0600B	1	U PLATE NUT	6MM
9	90344-04000K	10	U PLATE NUT	4MM
10	93903-05016K	19	TAPPING SCREW TRUSS HEAD PHILLIPS	5*16
11	94101-0514010K	8	PLAIN WASHER	5*14*1
12	81301-159-000	1	FUEL TANK PROTECT COVER	

FUEL TANK, OIL TANK

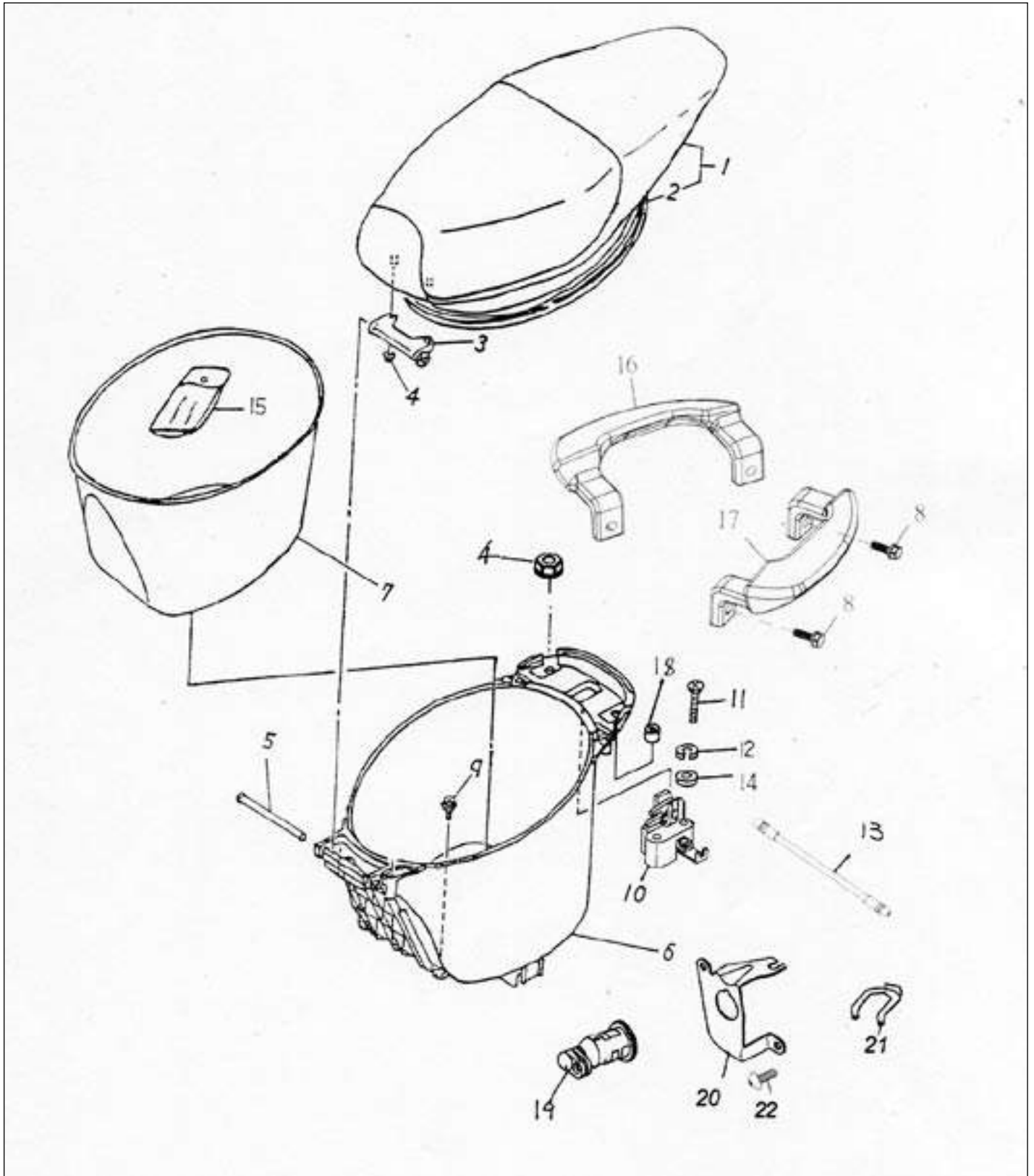


16: FUEL TANK, OIL TANK

ITEM NO.	PARTS NO.	UNIT QUANTITY	PARTS DESCRIPTION	NOTES
1	55100-116-000	1	OIL TANK (REV.1)	
2	55105-101-000	1	OILTANK CAP	
3	92000-06018-10K	2	HEX BOLT	6*18
4	83553-116-000	2	GROMMET	
5	17500-159-000	1	FUEL TANK COMP	
6	17620-125-000	1	FUEL TANK CAP	
7	16952-101-000	1	PETROL FILTER	
8	94400-0408160	2	TUBE	4.8*8*60
9	94400-0408190	1	TUBE	4.8*8*190
9	94510-08000	1	CLIP	8*0.8
10	94510-08000	10	CLIP	8*0.8
11	94050-06000C	3	HEX FLANGE NUT WITH SERRATION	6MM
12	16950-116-000	1	FUEL CUP	
13	93701-06015G	1	PAN FLAT HEAD PHILLIPS BOLT	6*15
14	94400-0408A420	1	TUBE	4.8*8*420
15	94400-0307210	1	TUBE	3.5*7.5*210

17: FRONT FORK

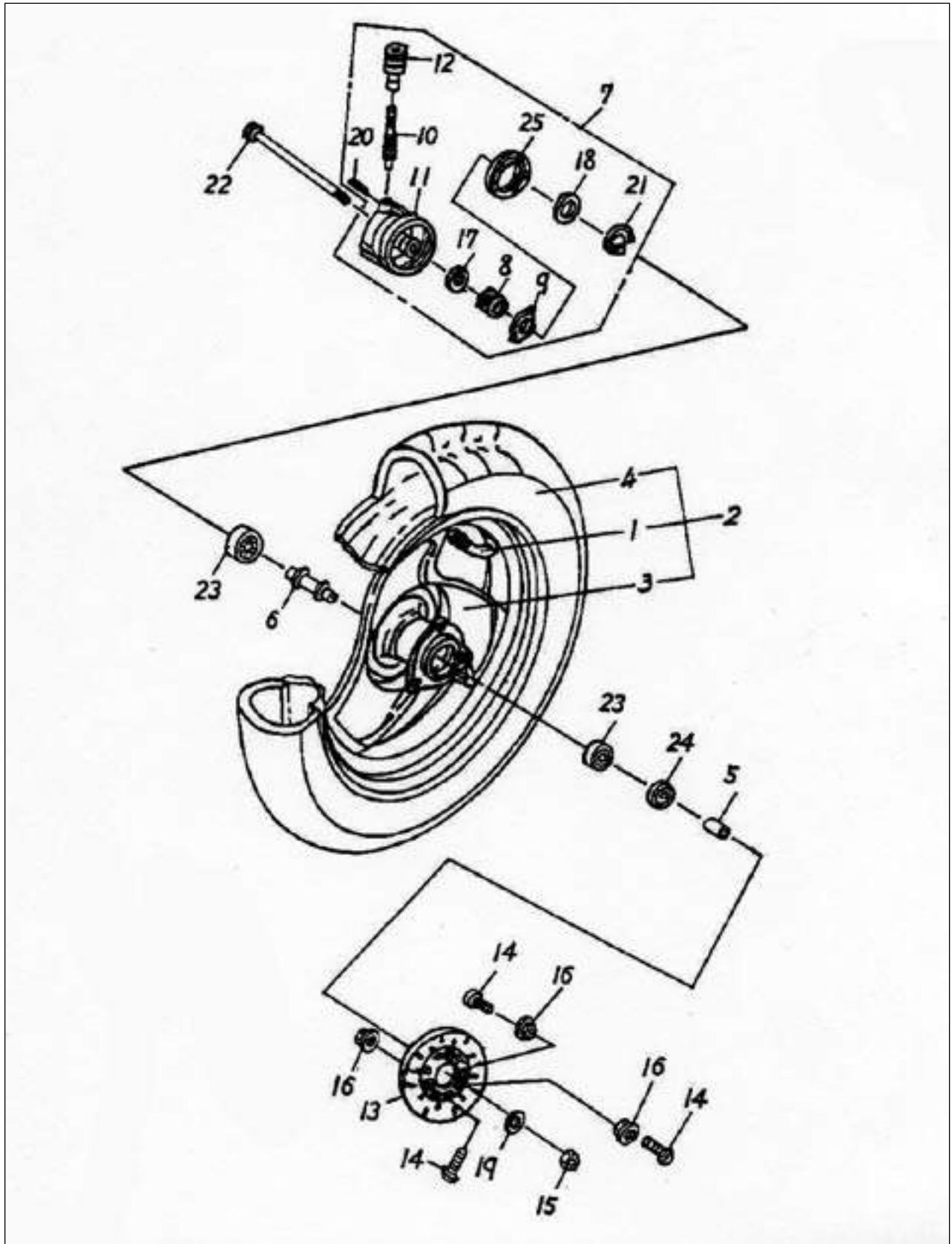
ITEM	PARTS NO.	UNIT QUANTITY	PARTS DESCRIPTION	NOTES
1	45000-119-000	1	FRONT BRAKE CALIPER ASS'Y	
2	45010-119-000	1	BRAKE CALIPERS	
3	45025-119-000	1	SNUBBER SUPPORT	
4	45120-119-000	1	BRAKE PAD	
5	51109-159-000	1	STEERING STEM WITH BRACKET ASS'Y	
6	43001-119-000	1	BRACKET CALIPER (LEFT)	
7	45042-119-000	1	CALIPER OIL SEAL	
8	45040-119-000	1	CALIPER PISTON ASS'Y	
9	45031-119-000	1	BLEED SCREW KIT	
10	45046-119-000	1	CALIPER PISTON	
11	45041-119-000	1	CALIPER SEAL	
12	53215-101-000	1	RACE, BALL #5	
13	53213-101-000	2	LATHE STRG INNER #3	
14	53212-101-000	1	LATE CONE STRG TOP #2	
15	96211-101-000	2	STEEL BALL	
16	50301-101-000	1	STEERING STEM DUST COVER	
17	94071-25000	2	NUT	25MM
18	51100-159-000	1	FRONT FORK ASS'Y	
19	96000-0803412CL	2	HEX WASHER FACE BOLT	8*34
20	51107-118-000	1	STEERING STEM COMP	
21	51520-107-000	1	INNER TUBE COMP	
22	51123-107-000	2	RUBBER SHROUD	
23	51141-107-000	1	SPRING CIR CLIP	
24	96500-2637105	2	OIL SEAL	26*37*10.5
25	51510-107-000	1	R. OUTER TUBE	
26	51610-107-000	1	L. OUTER TUBE	
27	91310-107-000	1	OIL RING	10*5.25
28	94101-1032020	2	PLAIN WASHER	10*32*2
29	92000-10022-17	2	HEX BOLT	10*22
30	94111-1017025	2	SPRING WASHER	10*17*2.5
31	92000-10036-14	2	HEX BOLT	10*36
32	51514-107-000	2	SPRING WASHER	
33	51513-107-000	2	HEX SOCKET	
34	53030-107-000	1	RIGHT TUBE ASS'Y	
35	53130-107-000	1	LEFT TUBE ASS'Y	



18: SEAT

ITEM NO.	PARTS NO.	UNIT QUANTITY	PARTS DESCRIPTION	NOTES
1	77200-159-00A	1	SEAT	
2	77209-116-000	1	SEAL	
3	77201-116-000	1	SEAT BRACKET	
4	94050-06000	4	HEX FLANGE NUT	6MM
5	77203-116-000	1	SEAT FIX SHAFT	10*115
6	77207-116-001	1	HELMET BOX	
7	77208-116-000	1	HELMET BOX MAT	
8	96000-08015-12	4	HEX WASHER FACE BOLT	8*15
9	96000-06018-10	2	HEX WASHER FACE BOLT	6*18
10	77232-159-000	1	SEAT LOCK BRACKET	
11	93500-06040B	2	PAN PHILLIPS BOLT	6*40
12	94111-0612015B	2	SPRING WASHER	6*12*1.5
13	77212-159-000	1	SEAT RELEASE CABLE	
14	94101-0613010B	2	PLAIN WASHER	6*13*1
15	50120-101-000	1	TOOL BAG	
16	81206-159-000	1	REAR HANDLE (RIGHT)	
17	81207-159-000	1	REAR HANDLE (LEFT)	
18	81203-116-000	1	SPACE TUBE	6.5*12*7
19	77230-154-000	1	SEAT LOCK ASS'Y	
20	77231-159-000	1	SEAT LOCK BRACKET (REV.1)	
21	77235-154-000	1	SEAT LOCK BRACKET	
22	93903-04012K	1	TAPPING SCREW TRUSS HEAD PHILLIPS	4*12

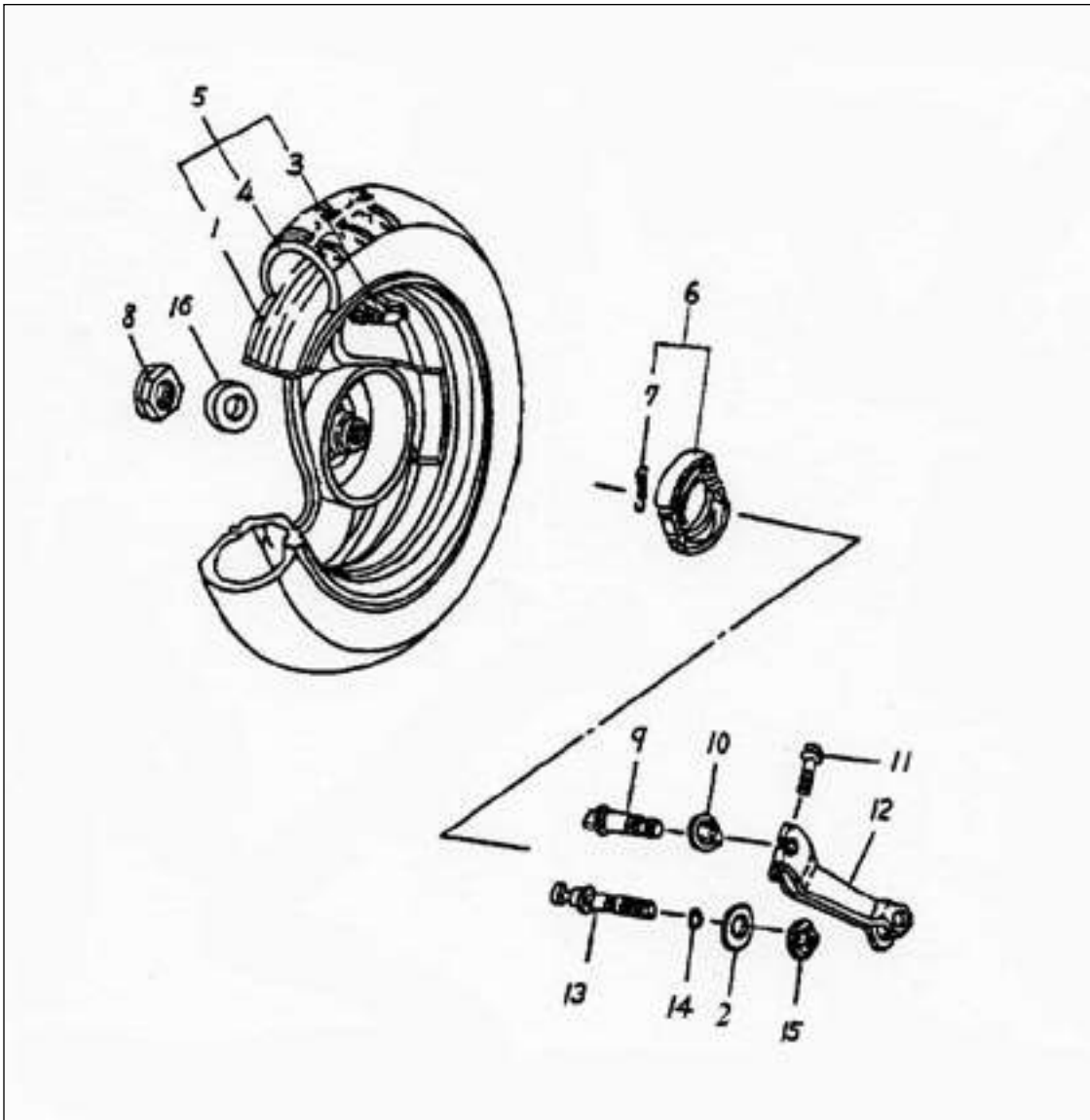
FRONT WHEEL



19: FRONT WHEEL

ITEM NO.	PARTS NO.	UNIT QUANTITY	PARTS DESCRIPTION	NOTES
1	42616-104-000	1	AIR NOZZLE	
2	42700-121-000	1	FRONT TIRE SET	
3	42711-121-000	1	FRONT REAR TIRE	120/70-12
4	42701-21-000	1	FRONT RIM	
5	44311-107-000	1	FRONT COLLAR	10.2*17*20.2
6	44620-109-000	1	FRONT SPACER TUBE	16*74.6
7	44806-110-000	1	SPEEDOMETER GEAR ASS'Y	
8	44811-110-000	1	SPEEDOMETER MAIN GEAR	16T
9	44812-107-000	1	SPEEDOMETER GEAR BRACKET	
10	44813-107-000	1	SPEEDOMETER SECONDARY GEAR	8T
11	44816-107-000	1	SPEEDOMETER GEAR EXTERNAL COVER	
12	44818-107-000	1	SPEEDOMETER GEAR COPPERHEAD	
13	45015-119-000	1	FRONT BRAKE DISC	190
14	45016-107-000	1	BRAKE DISC HEX SOCKET BOLT	10*20
15	90350-10000C	3	NYLON NUT	10MM*1.25
16	94050-10000C	1	HEX FLANGE NUT WITH SERRATION	10MM
17	94101-1622010K	3	PLAIN WASHER	16.5*22*1
18	94101-1628010A	1	PLAIN WASHER	16.5*28*1
19	94101-1022015B	1	PLAIN WASHER	10*22*1.5
20	94305-20140	1	SPLIT SPRING PIN	2*14
21	94511-1600S	1	EXTERNAL CIR CLIP	STW-16
22	96000-10225-14B	1	HEX WASHER FACE BOLT	10*225
23	96100-6300Z	2	RADIAL BALL BEARING	6300Z
24	96500-17357	1	OIL SEAL	TC 17*35*7
25	96500-40526	1	OIL SEAL	40*52*6

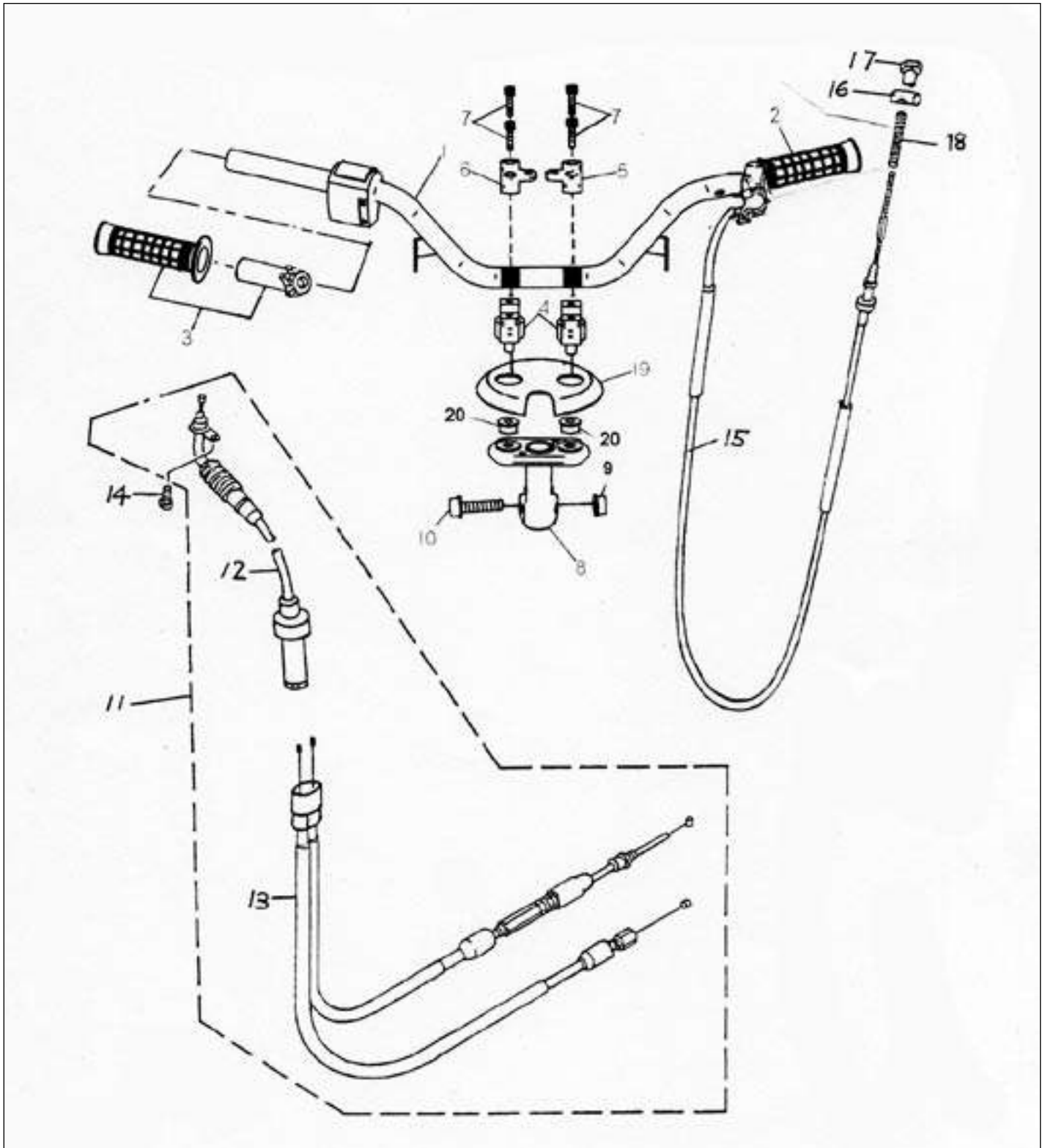
REAR WHEEL



20: REAR WHEEL

ITEM	PARTS NO.	UNIT QUANTITY	PARTS DESCRIPTION	NOTES
1	42801-125-00A	1	REAR RIM-12" SPCC	IRON - 12"
2	94101-0815015C	1	PLAIN WASHER	8*15*1.5
3	42616-104-000	1	AIR NOZZLE	
4	42812-125-00A	1	REAR WHEEL SET	
5	42711-121-000	1	FRONT/REAR TIRE	120/70-12
6	43120-110-001	1	REAR BRAKE SHOE ASS'Y	
7	43151-110-000	2	REAR BRAKE SHOE STRAIN SPRING	
8	90350-14000C	1	NYLON NUT	14MM
9	43141-101-001	1	BRAKE CAM SHAFT	
10	43145-104-000	1	INDICATOR PLATE	
11	96000-06030-10B	1	HEX FLANGE BOLT	6*65
12	43410-116-000	1	REAR BRAKE RIM	
13	45110-116-000	1	REAR BRAKE FIX SHAFT	
14	91307-101-000	1	OIL RING	7.5*1.5
15	94050-08000C	1	HEX FLANGE NUT WITH SERRATION	8MM
16	94101-1529030G	1	PLAIN WASHER	15*29*3

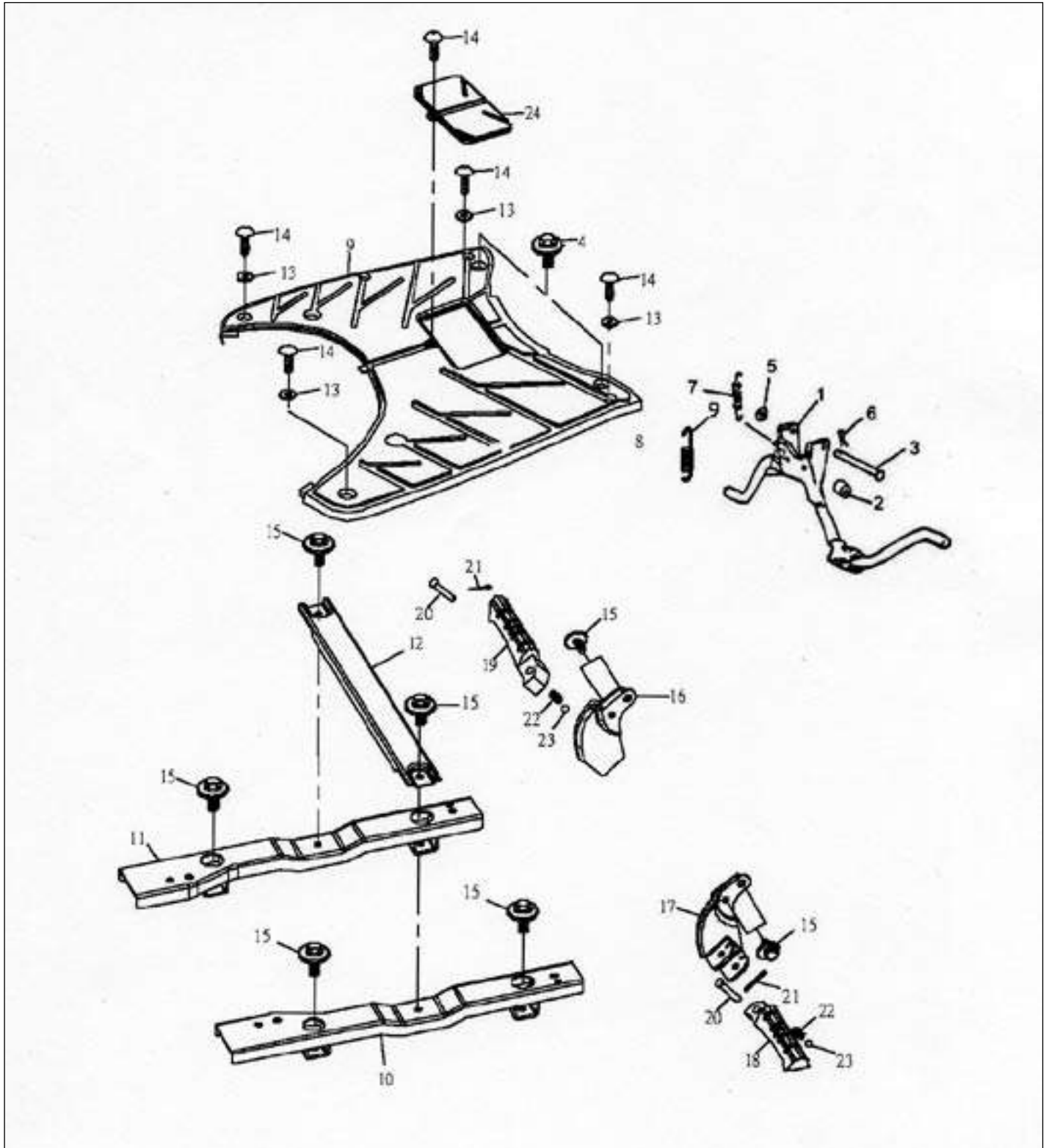
HANDLE, PIPE, CABLES



21: HANDLE, PIPE, CABLES

ITEM	PARTS NO.	UNIT QUANTITY	PARTS DESCRIPTION	NOTES
1	53100-162-000	1	HANDLE BAR	
2	53166-101-000	1	L. HANDLE GRIP	
3	53165-101-000	1	R. HANDLE GRIP COMP	
4	53101-154-000	2	HANDLE BAR BOTTOM CLAMP	
5	53103-145-000	1	RIGHT HANDLE BAR CLAMP	
6	53102-145-000	1	LEFT HANDLE BAR CLAMP	
7	91000-06025B	4	HEX SOCKET BOLT	6*25
8	53231-159-001	1	FRONT FORK TOP BRIDGE COMP	
9	90350-10000	3	NYLON NUT	10MM*1.25
10	96000-10045-14B	3	HEX WASHER FACE BOLT	10*45
11	17910-116-000	1	THROTTLE CABLE	
12	17930-116-000	1	THROTTLE FRONT CABLE	
13	17920-116-000	1	THROTTLE REAR CABLE	
14	93500-05010	1	PAN PHILLIPS BOLT	5*10
15	43450-159-000	1	REAR BRAKE CABLE	
16	95015-31001	1	REAR BRAKE FIXTURE	12*22
17	95015-41000	1	REAR BRAKE ADJUST NUT	6MM
18	43472-110-00A	1	RESET SPRING	140MM
19	64302-159-000	1	HANDLE BAR COVER	
20	94050-10000G	2	HEX FLANGE NUT WITH SERRATION	M10

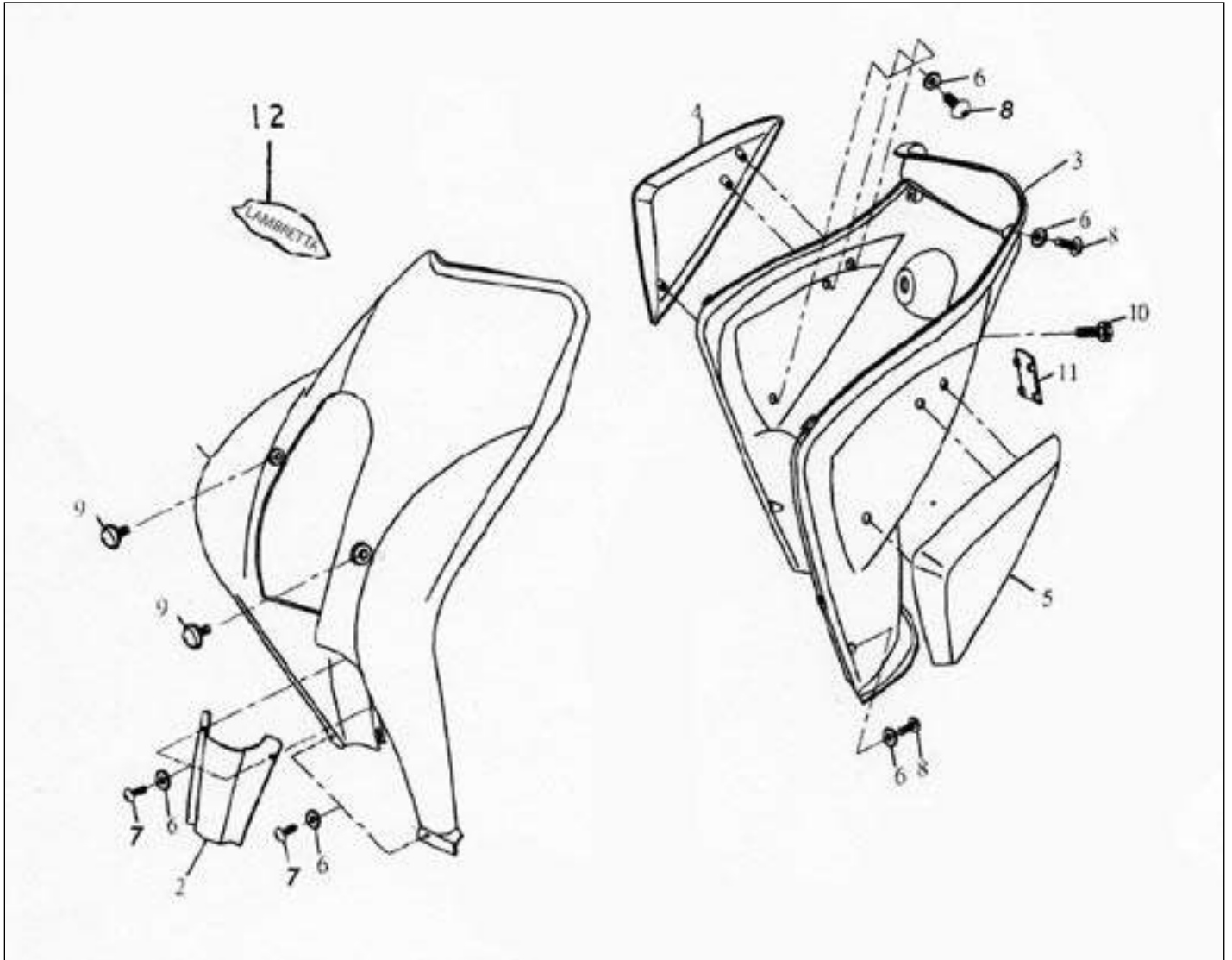
FLOOR PANEL, MAIN STAND



22: FLOOR PANEL, MAIN STAND

ITEM NO.	PARTS NO.	UNIT QUANTITY	PARTS DESCRIPTION	NOTES
1	50500-116-000	1	MAIN STAND COMP	
2	95011-101-000	1	RUBBER DAMPER	
3	50503-116-000	1	MAIN STAND FIX SHAFT	10*76.8
4	92000-06018-16K	4	HEX BOLT	6*18
5	94101-1018005A	1	PLAIN WASHER	10.5*18*0.5
6	94201-20250B	1	COTTER PIN	2*25
7	95014-71602	1	MAIN STAND RESET SPRING	
8	95014-71602-0A	1	MAIN STAND RESET SMALL SPRING	
9	64310-159-001	1	FLOOR PANEL	
10	64314-159-000	1	L. FLOOR PANEL BRACKET (REV.2)	
11	64313-159-000	1	R. FLOOR PANEL BRACKET (REV.2)	
12	64315-159-000	1	FLOOR PANEL BRACKET (REV.1)	
13	94101-0514010K	6	PLAIN WASHER	5*14*1
14	93903-05016K	6	TAPPING SCREW TRUSS HEAD PHILLIPS	5*16
15	92000-06018-10K	10	HEX BOLT	6*18
16	54222-159-000	1	LEFT STEP CLAMP	
17	54224-159-000	1	RIGHT STEP CLAMP	
18	50717-159-000	1	RIGHT STEP PLATE (REV.1)	
19	50718-159-000	1	LEFT STEP PLATE (REV.1)	
20	50712-154-000	2	PIN	8*32
21	94201-20150B	2	COTTER PIN	2.0*15
22	50713-159-000	2	SPRING	
23	96211-128-00A	2	STEEL BALL	o1/4"
24	64311-159-000	1	BATTERY COVER	

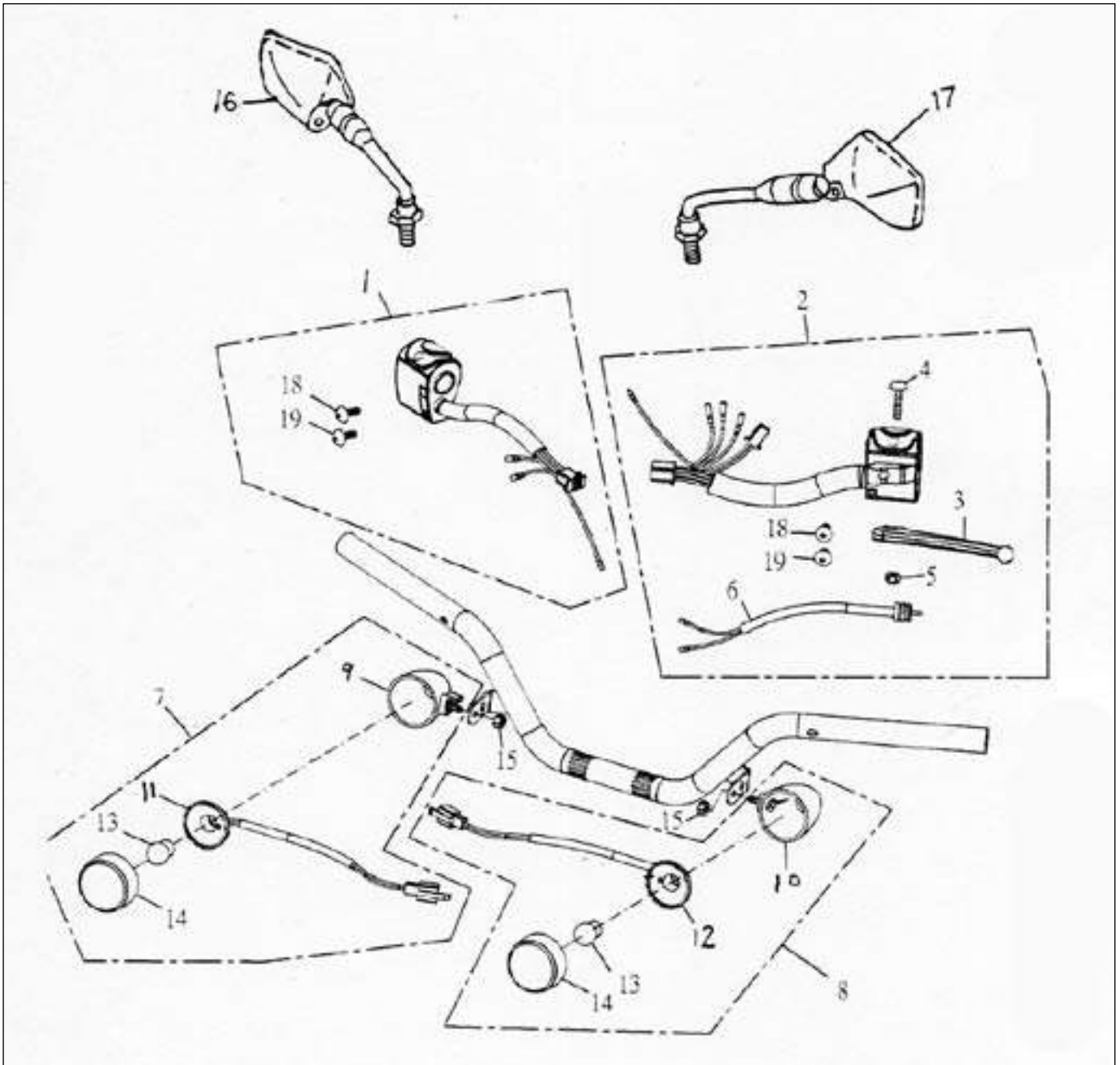
FRONT COVER, INNER BOX



23: FRONT COVER, INNER BOX

ITEM NO.	PARTS NO.	UNIT QUANTITY	PARTS DESCRIPTION	NOTES
1	64301-159-000	1	FRONT COVER	
2	50151-159-000	1	COWLING PROTECTOR	
3	81131-159-000	1	INNER OBX	
4	83504-159-000	1	BODY COVER TRIM (RN)	
5	83604-159-000	1	BODY COVER TRIM (LH)	
6	94101-0514010K	8	PLAIN WASHER	5*14*1
7	93903-04016K	2	TAPPING SCREW TRUSS HEAD PHILLIPS	4*16
8	93903-05016K	10	TAPPING SCREW TRUSS HEAD PHILLIPS	5*16
9	93800-06020S	2	PAN PHILLIPS BOLT	6*20
10	96000-06012-10G	1	HEX WASHER FACE BOLT	6*12
11	81134-125-000	1	FRAME NUMBER COVER	
12		1	STICKER ASS'Y (STANDARD)	LAMBRETTA

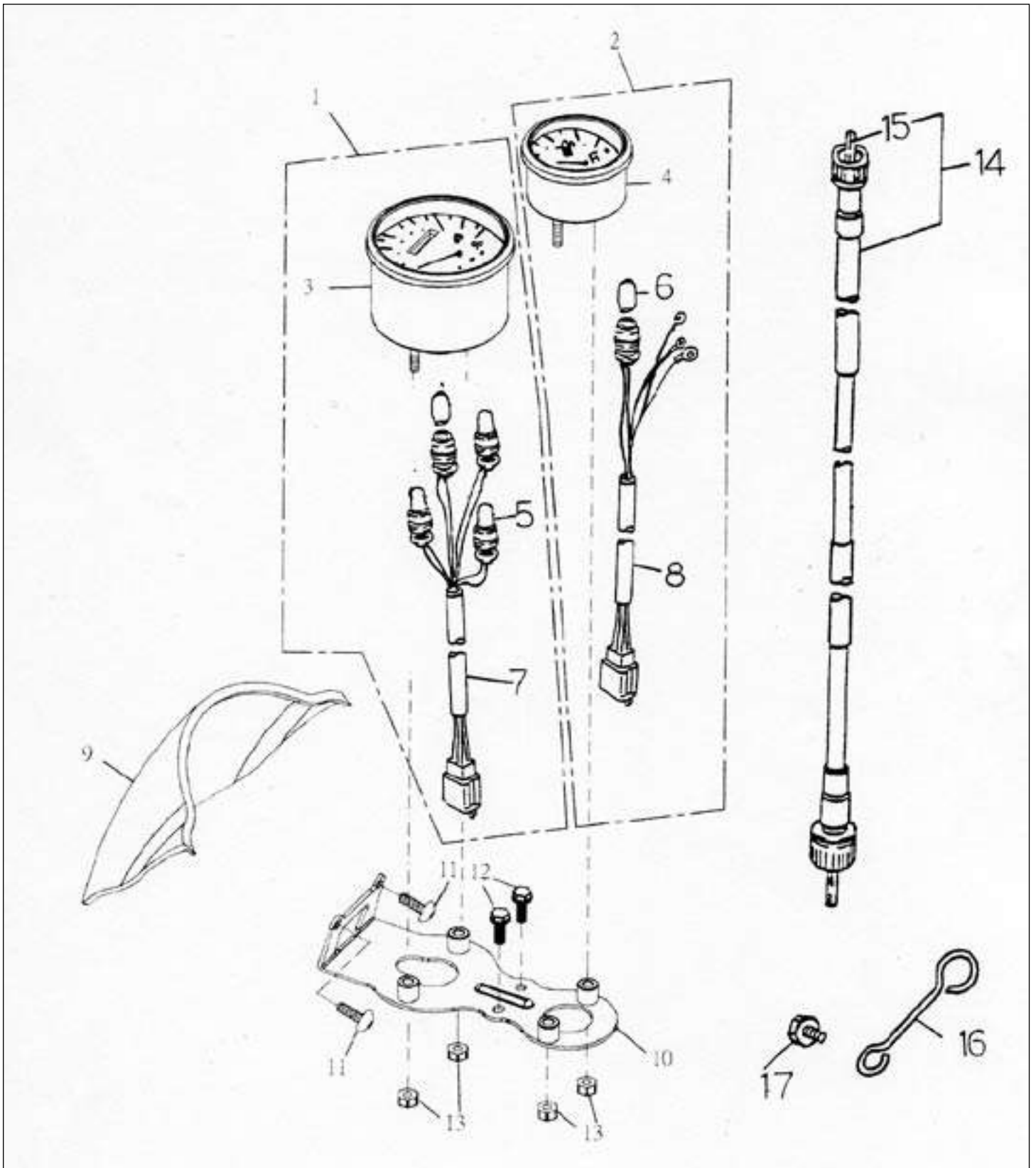
FRONT SIGNAL, HAND LEVER SWITCH



24: (DOT) FRONT SIGNAL, HAND LEVER SWITCH

ITEM NO.	PARTS NO.	UNIT QUANTITY	PARTS DESCRIPTION	NOTES
1	35150-159-00A	1	R.HANDLE SWITCH ASS'Y	
2	35200-159-000	1	L.HANDLE SWITCH ASS'Y	
3	53178-107-000	1	LEFT LEVER	
4	90116-107-000	1	LEFT LEVER SET BOLT	5*23
5	90350-05000	1	NYLON INSERT LOCK NUT	5MM
6	35345-111-000	1	L. BRAKE SWITCH WIRE	
7	33400-154-00A	1	R. SIGNAL ASS'Y (DOT)	12V 21W
8	33450-154-00A	1	L. SIGNAL ASS'Y (DOT)	12V 21W
9	33401-154-00A	1	R. SIGNAL SOCKET	
10	33451-154-00A	1	L. SIGNAL SOCKET	
11	33425-154-00A	1	R. SIGNAL BULB SOCKET	
12	33435-154-00A	1	L. SIGNAL BULB SOCKET	
13	34905-188-000	2	FLASHER BULB	12V 21W
14	33402-188-000	2	SIGNAL COVER (DOT)	
15	94050-05000	2	HEX FLANGE NUT WITH SERRATION	5MM
16	88110-116-001	1	R. REAR VIEW MIRROR	
17	88120-116-001	1	L. REAR VIEW MIRROR	
18	93500-05035	2	PAN PHILLIPS BOLT	5*35
19	93500-05025	2	PAN PHILLIPS BOLT	5*25

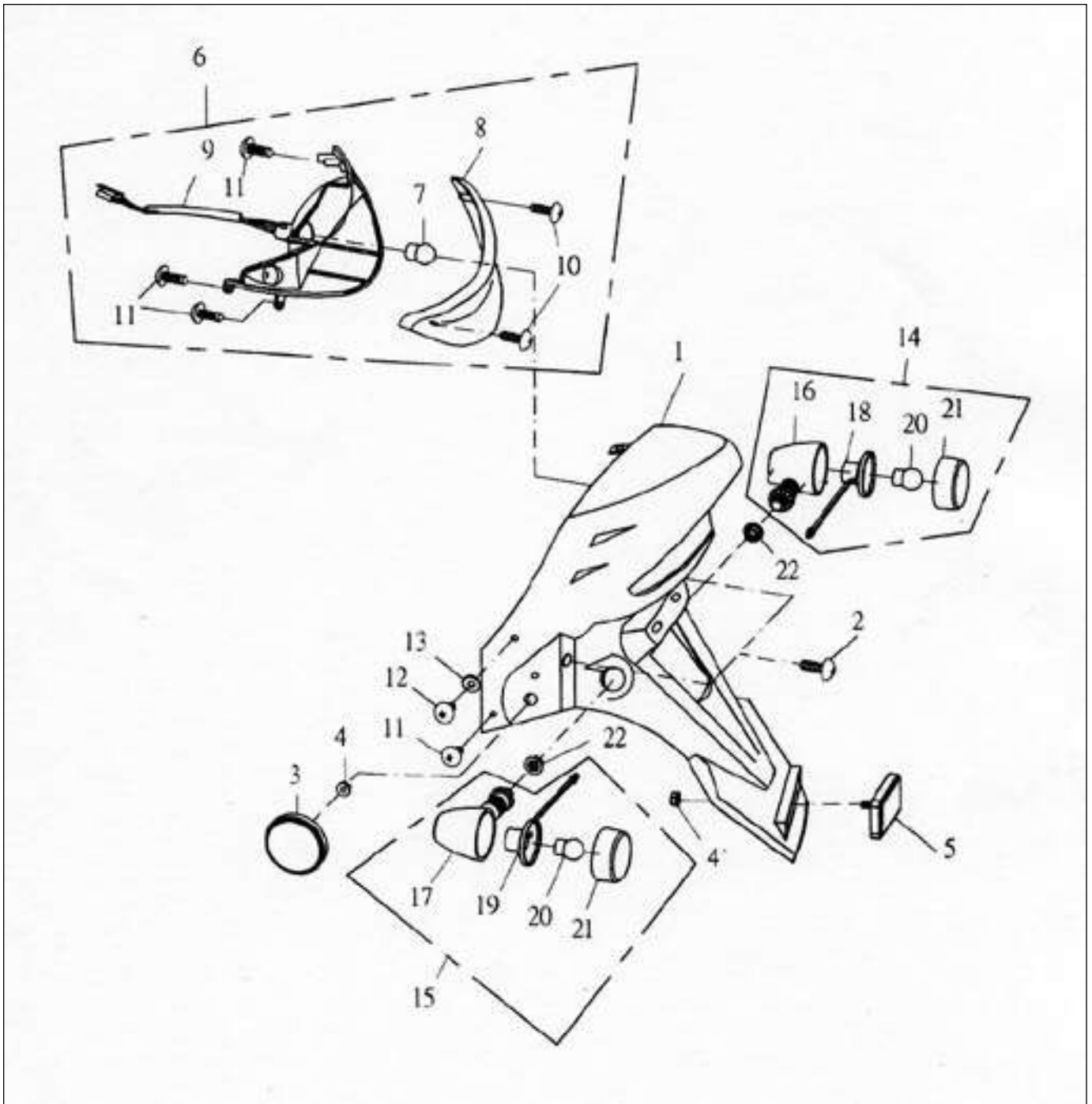
SPEEDOMETER



25: SPEEDOMETER

ITEM NO.	PARTS NO.	UNIT QUANTITY	PARTS DESCRIPTION	NOTES
1	33700-159-000	1	TAIL LIGHT ASS'Y	
2	37222-159-000	1	OIL METER	
3	37220-159-000	1	SPEEDOMETER BODY	
4	37226-159-000	1	OIL METER BODY	
5	34908-116-002	4	METER BULB	12V 3.4W
6	34908-101-000	1	BULB	12V 1.7W
7	37250-107-000	1	SPEEDOMETER WIRE HARNESS	
8	37252-159-000	1	OIL METER WIRE HARNESS	
9	64211-159-000	1	TRIM SPEEDOMETER LID	
10	37212-159-001	1	SPEEDOMETER HOLDER (REV.1)	
11	93903-05012K	3	TAPPING SCREW TRUSS HEAD PHILLIPS	5*12
12	96000-06012-10G	2	HEX WASHER FACE BOLT	6*12
13	94050-05000	4	HEX FLANGE NUT WITH SERRATION	5MM
14	44830-159-001	1	SPEEDOMETER CABLE	
15	44840-159-000	1	SPEEDOMETER INNER CABLE	
16	44831-118-001	1	SPEEDOMETER CABLE BRACKET	
17	92000-06018-10K	1	HEX BOLT	6*18
18	94102-145-000	3	RUBBER WASHER	

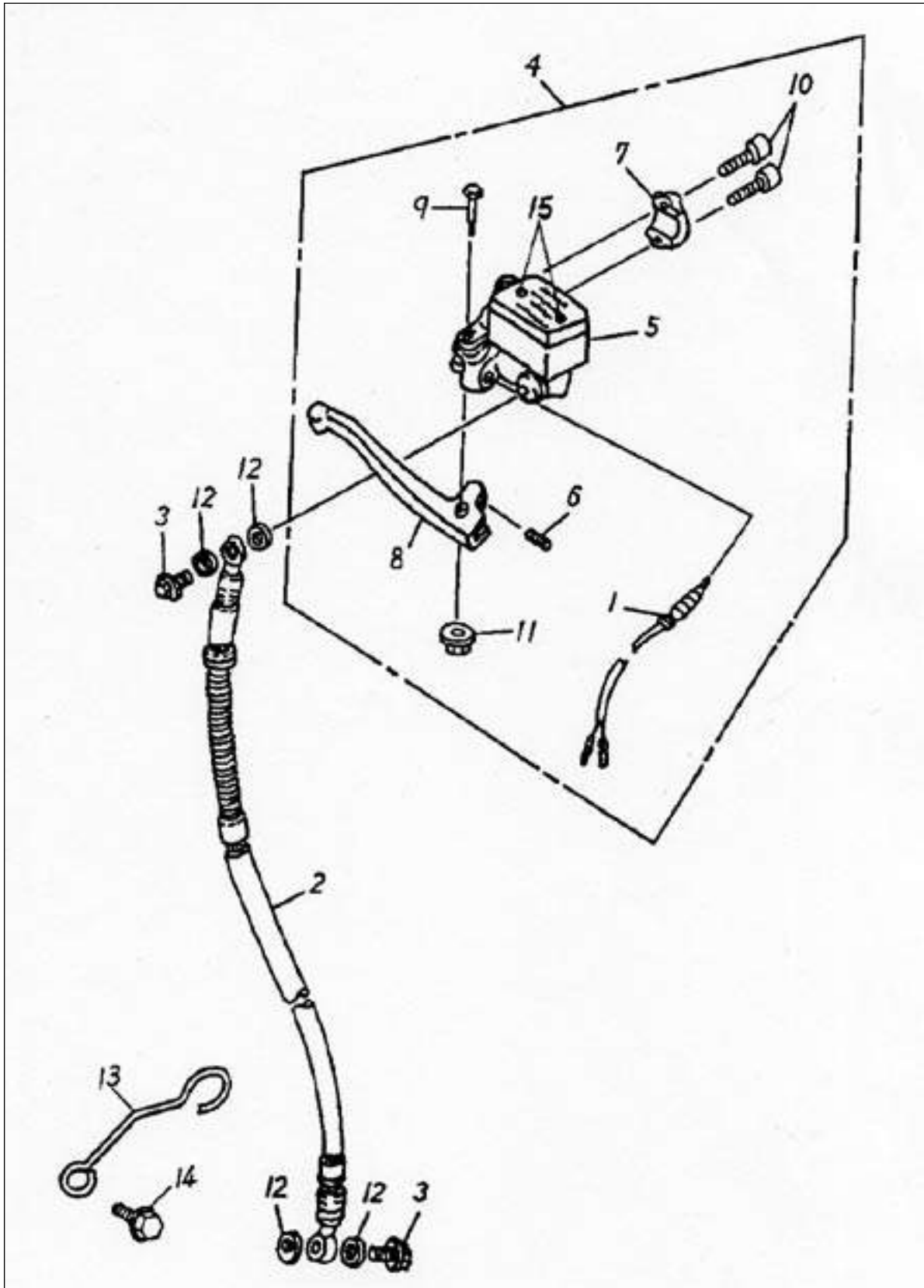
TAIL LIGHT



26: (DOT) TAIL LIGHT

ITEM NO.	PARTS NO.	UNIT QUANTITY	PARTS DESCRIPTION	NOTES
1	80115-159-000	1	REAR FENDER	
2	93500-06015B	2	PAN PHILLIPS BOLT	6*15
3	33741-145-000	2	REFELCTOR	SAE JUTE 982
4	94050-06000C	3	HEX FLANGE NUT	6MM
5	33741-133-000	1	REFELCTOR (E-MARK,SAE) RED	
6	33700-162-000	1	TAIL LIGHT ASS'Y	PN3-T-HC-N
7	34906-105-00A	1	TAIL LIGHT BULB (E-MARK)	12V 21/5W
8	33702-159-000	1	TAIL LIGHT LENS (E-MARK)	
9	33711-159-000	1	REAR LIGHT SOCKET & WIRENESS	
10	93500-04018	2	PAN PHILLIPS BOLT	M4*18
11	94050-08000C	2	HEX FLANGE NUT WITH SERRATION	8MM
12	93903-05016K	8	TAPPING SCREW TRUSS HEAD PHILLIPS	5*16
13	94101-0514010K	4	PLAIN WASHER	5*14*1
14	33400-154-00A	1	R. SIGNAL ASS'Y (DOT)	12V 21W
15	33450-154-00A	1	L. SIGNAL ASS'Y (DOT)	12V 21W
16	33404-154-00A	1	R. SIGNAL SIGNAL BRACKET	
17	33454-154-00A	1	L. SIGNAL SIGNAL BRACKET	
18	33426-154-00A	1	R. SIGNAL BULB SOCKET	
19	33436-154-00A	2	L. REAR SIGNAL BULB SOCKET	
20	34905-188-000	2	FLASHER BULB	12V 21W
21	33410-145-000	2	SIGNAL COVER	

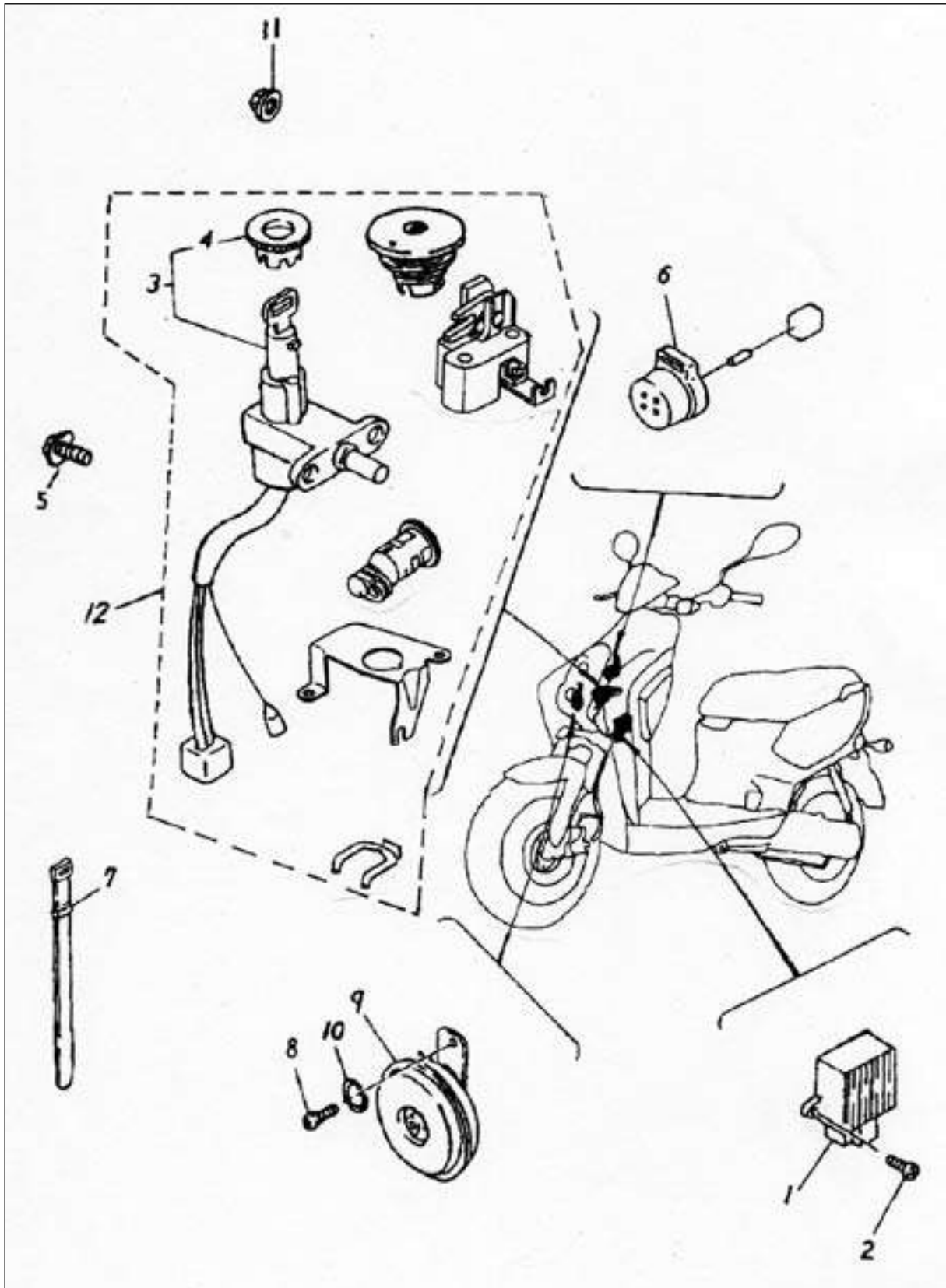
FRONT MASTER CYLINDER



27: FRONT MASTER CYLINDER

ITEM	PARTS NO.	UNIT QUANTITY	PARTS DESCRIPTION	NOTES
1	35340-159-000	1	R. BRAKE SWITCH WIRE	
2	45450-159-001	1	BRAKE HOSE	
3	45456-107-000	2	BRAKE HOSE FIX BOLT	10*22
4	45500-159-000	1	MASTER CYLINDER SUB ASS'Y	
5	45510-107-000	1	MASTER CYLINDER SUB	
6	45515-107-000	1	LEVER RESET SPRING	
7	53174-107-000	1	MASTER CYLINDER BRACKET	
8	53175-107-000	1	RIGHT LEVER	
9	90115-107-000	1	RIGHT LEVER SET BOLT	6*30
10	91000-06025B	2	HEX SOCKET BOLT	6*25
11	94050-06000	1	HEX FLANGE NUT	6MM
12	94103-1015012	4	COPPER PLAIN WASHER	10*15*1.2
13	45451-119-000	1	BRAKE HOSE BRACKET	
14	96000-06012-10G	1	HEX WASHER FACE BOLT	6*12
15	45465-107-000	2	FLAT HEAD SCREW	4*9

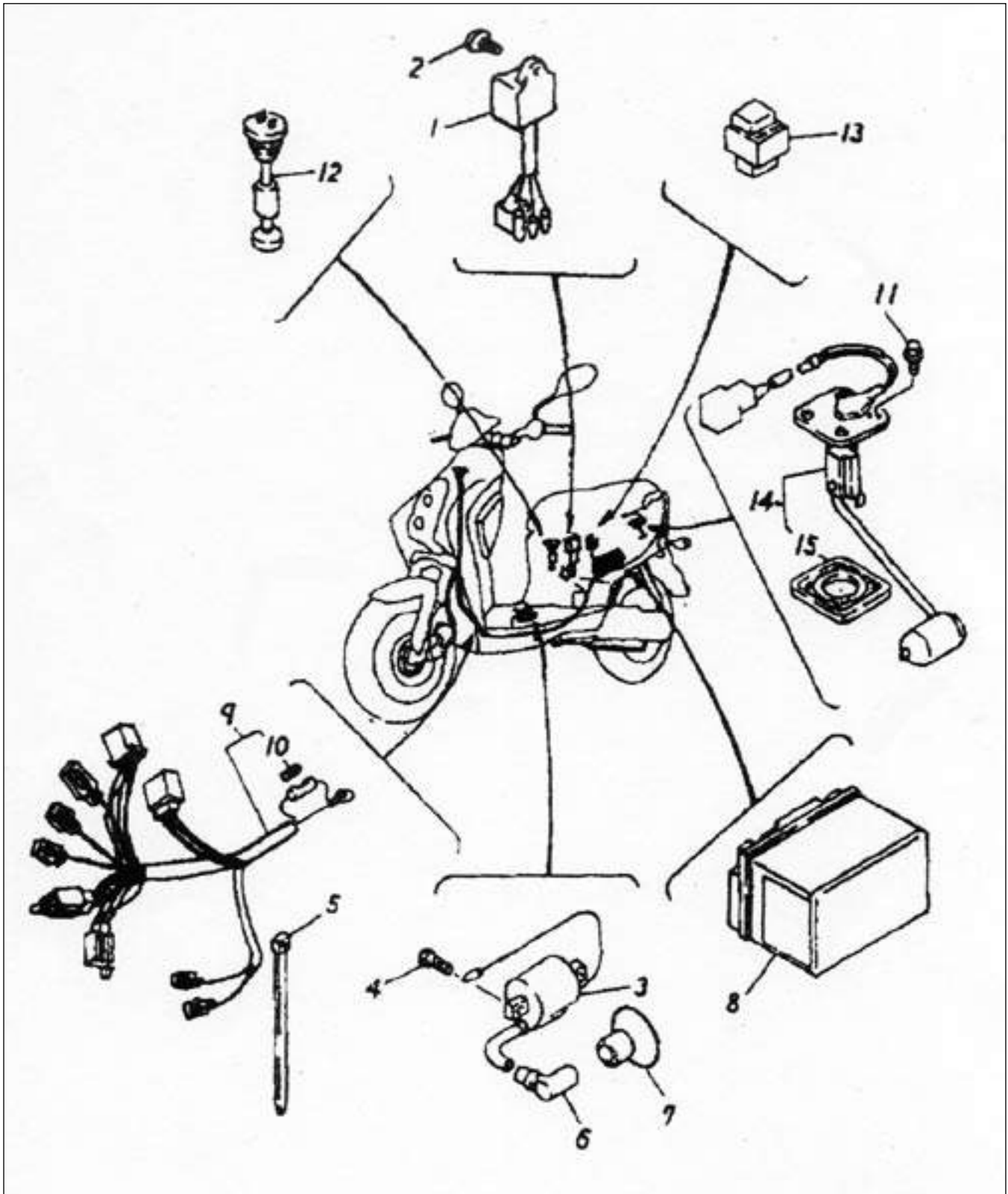
ELECTRICAL EQUIPMENT



28: (DOT) ELECTRICAL EQUIPMENT

ITEM	PARTS NO.	UNIT QUANTITY	PARTS DESCRIPTION	NOTES
1	31600-110-000	1	REGULATOR RECTIFIER	
2	93500-05012C	1	PAN PHILLIPS BOLT	5*12
3	35100-116-000	1	MAIN SWITCH ASS'Y	
4	35111-101-000	1	SWITCH CAP	
5	92000-06018-10K	1	HEX BOLT	6*18
6	38301-107-00C	1	FLASHER RELAY	12V 40W
7	90669-101-00A	3	CABLE TIE	4.8*250M/M
8	93500-06012B	1	PAN PHILLIPS BOLT	6*12
9	38110-101-001	1	HORN (E-MARK)	12V NO0037
10	94111-0612015B	1	SPRING WASHER	6*12*1.5
11	94050-06000C	1	HEX FLANGE NUT	6MM
12	35010-159-000	1	KEY SET	

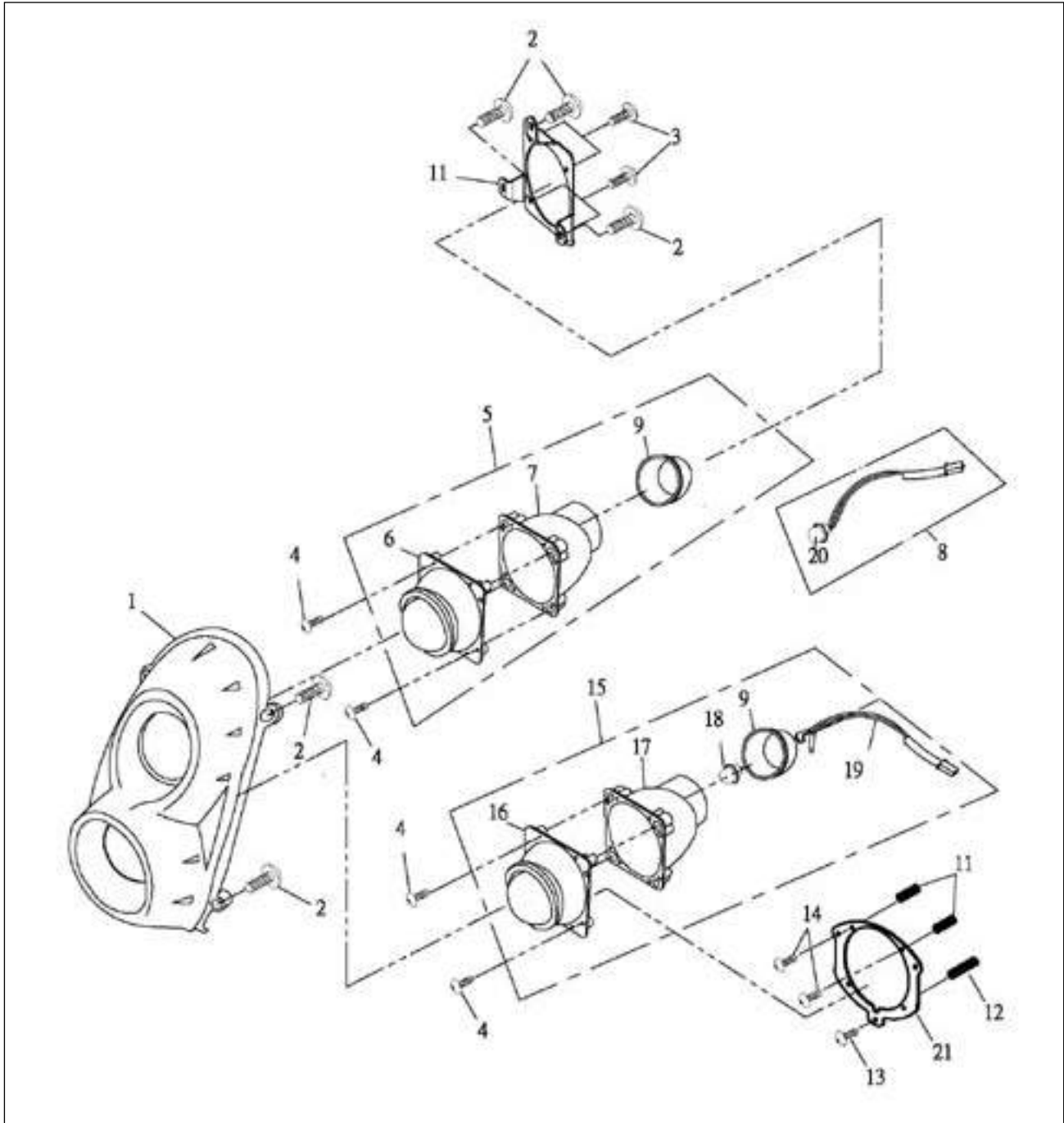
ELECTRICAL EQUIPMENT



29: (DOT) ELECTRICAL EQUIPMENT

ITEM	PARTS NO.	UNIT QUANTITY	PARTS DESCRIPTION	NOTES
1	30410-116-000	1	C.D.I. UNIT	
2	93500-06015B	1	PAN PHILLIPS BOLT	6*15
3	30510-110-000	1	HIGH TENSION COIL	L=300
4	96000-06020-10G	2	HEX FLANGE BOLT	M6*20
5	90669-101-000	7	CABLE TIE	4.8*200M/M
6	30700-116-000	1	HIGHT TENSION SEAL	
7	30605-116-000	1	RUBBER CAP	
8	31500-116-000	1	BATTERY	12V
9	32100-159-00A	1	MAIN WIRE HARNESS (REV.2)	
10	98200-106-000	1	FUSE	7A
11	93000-05012C	4	ROUND PHILLIPS BOLT	5*12
12	35410-116-000	1	OIL LEVEL GAUGE	
13	38501-105-001	1	STARTING RELAY	
14	37800-116-000	1	PETROL GAUGE ASS'Y	
15	37801-101-000	1	FUEL LEVEL GAUGE GASKET	

HEAD LIGHT



30: (DOT) HEAD LIGHT

ITEM NO.	PARTS NO.	UNIT QUANTITY	PARTS DESCRIPTION	NOTES
1	64321-162-000	1	HEAD LIGHT COVER	
2	93903-05016K	18	TAPPING SCREW TRUSS HEAD PHILLIPS	5*16
3	94101-0514010K	18	PLAIN WASHER	5*14*1
4	93903-03016C	4	TAPPING SCREW TRUSS HEAD PHILLIPS	3*16
5	33100-159-00A	1	HEAD LIGHT ASS'Y (E-MARK)	
6	33110-159-000	1	HEAD LIGHT COVER	
7	33111-159-000	1	HEAD LIGHT SOCKET	
8	34900-159-000	1	POSITION LAMP	
9	33125-159-000	2	HEAD LIGHT WATERPROOF COVER	
10	51602-159-000	1	HEAD LIGHT BRACKET	
11	33101-162-000	2	HEAD LIGHT SPRING	
12	33101-162-00A	1	HEAD LIGHT SPRING	
13	93500-04065C	1	PAN PHILLIPS BOLT	4*65
14	93500-04035C	2	HEX PHILLIPS BOLT	4*35
15	33100-162-00B	1	HEAD LIGHT ASS'Y (DOT)	35W
16	33110-162-00A	1	HEAD LIGHT COVER	
17	33111-162-00A	1	HEAD LIGHT SOCKET	
18	34901-162-00B	1	HEAD LIGHT BULB	H3 12V 35W
19	34801-162-00A	1	HEAD LIGHT WIRE	
20	34908-125-000	1	METER BULB	12V/1.7W
21	51602-159-00A	1	HEAD LIGHT BRACKET	

NOTES

Parts Manual for - DUE50