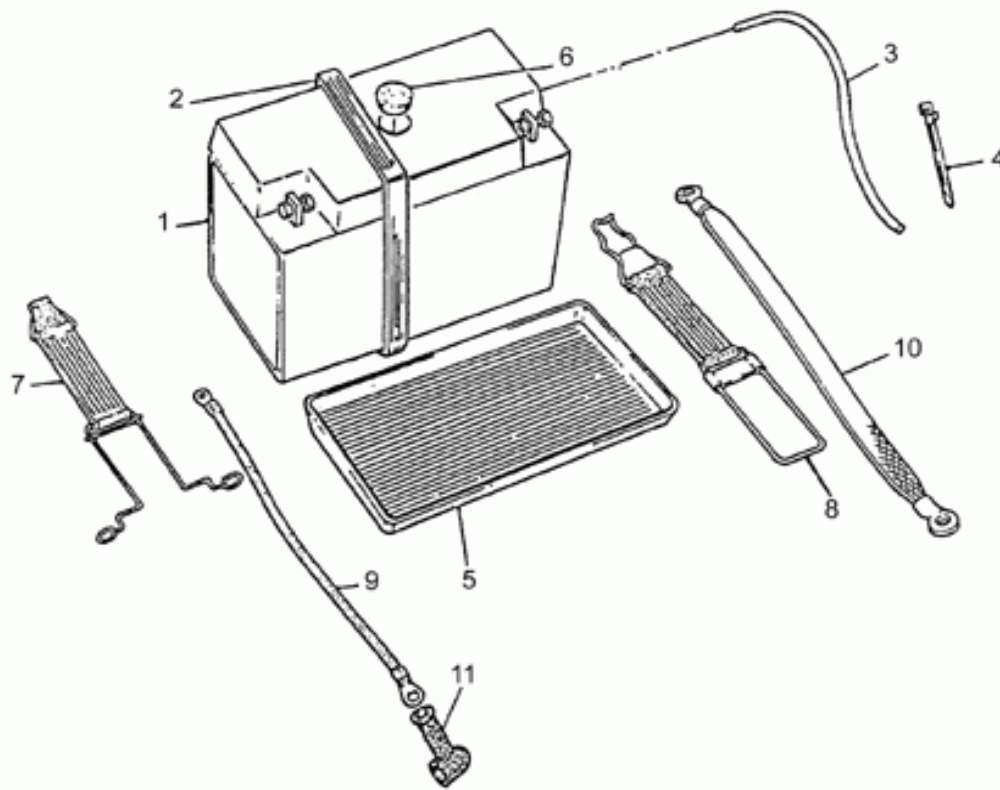


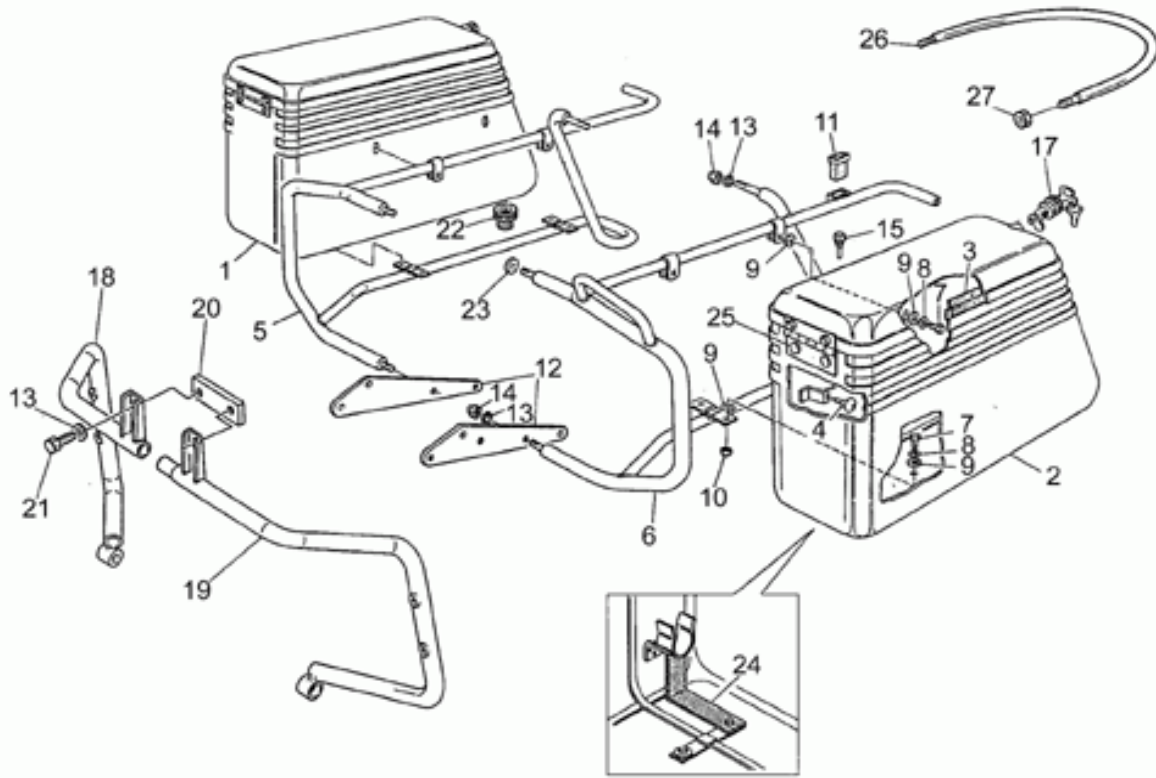
Tables

| Table | Description |
|-------|--------------------------------|
| 01 | BATTERIE |
| 02 | SIDE CASES |
| 03 | CARROSSERIE I |
| 04 | CARROSSERIE II |
| 05 | TRANSMISSION CPL. |
| 06 | TABEAU DE BORD |
| 07 | PHARE AVANT-KLAXON |
| 08 | FEU ARRIÈRE |
| 09 | FILTRE AIR |
| 10 | FOURCHE ARRIERE |
| 11 | CIRCUIT ELECTRIQUE |
| 12 | SYS.FREIN AVANT D. |
| 13 | SYST. FREIN AV G./AR |
| 14 | FEU STROBO "SONORA" |
| 15 | FEU STROBO "VAMA" |
| 16 | CLIGNOTANTS BLEUS CARABINIERI |
| 17 | GUIDON - COMMANDES |
| 18 | GARDE-BOUE AV./ARRIÈRE |
| 19 | REPOSE-PIEDS BEQUILLE |
| 20 | POMPE FREIN ARRIÈRE |
| 21 | ROUE AV. |
| 22 | ROUE ARRIÈRE |
| 23 | SIREN |
| 24 | SUSPENSION AVANT |
| 25 | SUSPENSION AVANT/ARRIÈRE |
| 26 | CHASSIS |
| 27 | ALLUMAGE |
| 28 | ARBRE MOTEUR |
| 29 | ARBRE SECONDAIRE |
| 30 | BOÎTE DE VITESSES |
| 31 | CARBURATEUR |
| 32 | CARTER MOTEUR |
| 33 | EMBRAYAGE |
| 34 | ALTERNATEUR - RÉGUL. |
| 35 | GROUPE D'ÉCHAPPEMENT |
| 36 | INSTALLATION PIERBURG>VR111384 |
| 37 | DÉMARREUR |
| 38 | LEVIER COMMANDE VITESSES CPL. |
| 39 | POMPE HUILE |
| 40 | CARTER DE BOITE VITESSES |
| 41 | TÊTE CYLINDRE |

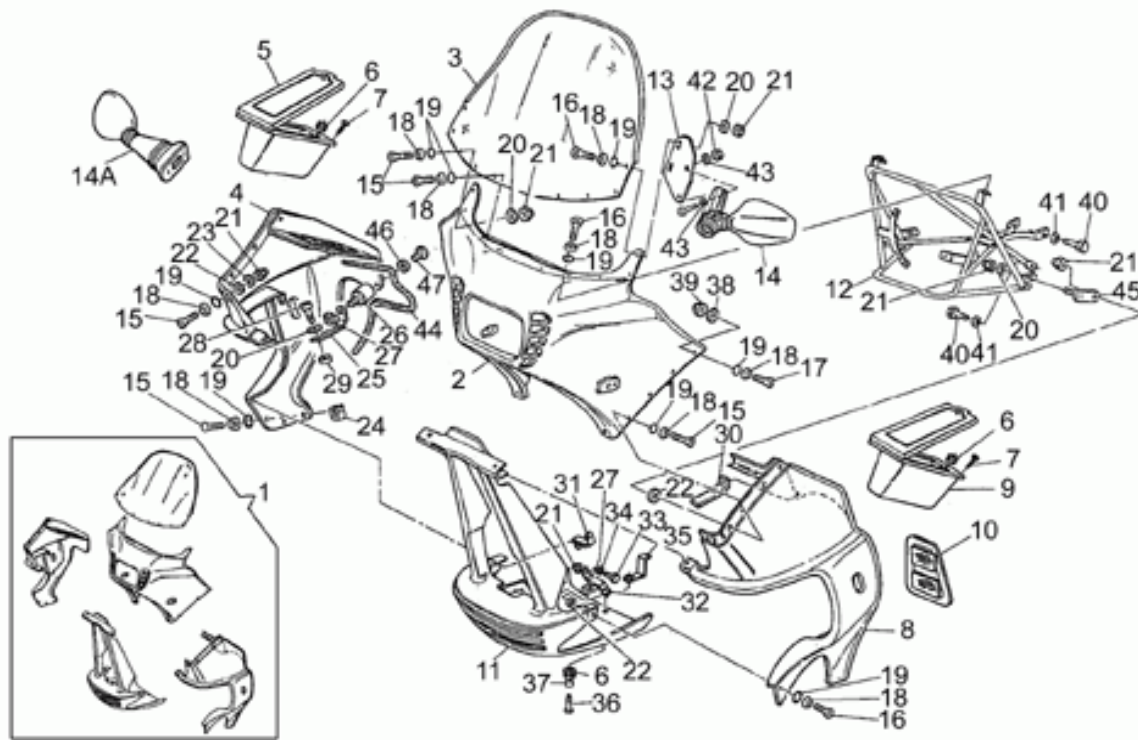




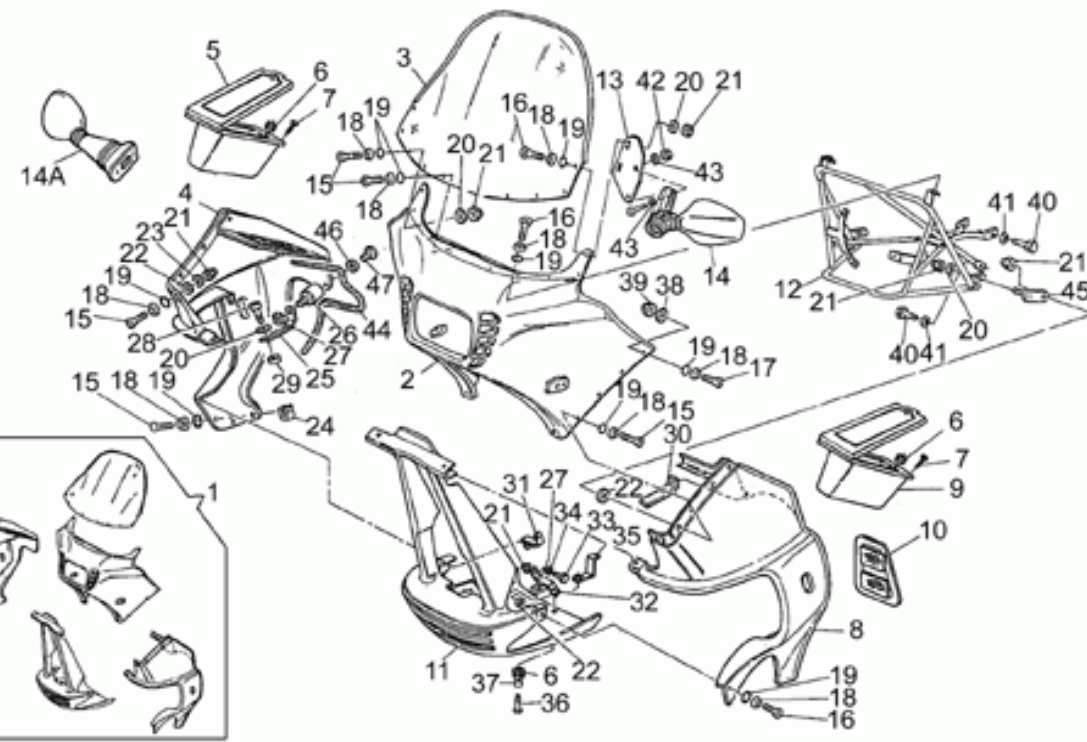
| Ref. | Description | Year | I.M. | Country | Version | Code | Qty |
|------|-------------------------------|------|------|---------|---------|-------------|-----|
| 1 | Batterie VARTA 530.30 12V-30A | - | - | - | - | 28704545 | 1 |
| 2 | Elastique fix. batterie | - | - | - | - | 28704900 | 1 |
| 3 | Tuyau reniflard radiateur | - | - | - | - | 00823946060 | 1 |
| 4 | Collier | - | - | - | - | 14609650 | 1 |
| 5 | Boîtier batterie | - | - | - | - | 28707050 | 1 |
| 6 | Bouchon | - | - | - | - | 93180220 | 1 |
| 7 | Elastique de fixation | - | - | - | - | 28704850 | 1 |
| 8 | Elastique de fixation | - | - | - | - | 14705500 | 1 |
| 9 | Cable | - | - | - | - | 14748450 | 1 |
| 10 | Câblage masse moteur-chassis | - | - | - | - | 30747930 | 1 |
| 11 | Capuchon | - | - | - | - | 19707100 | 1 |



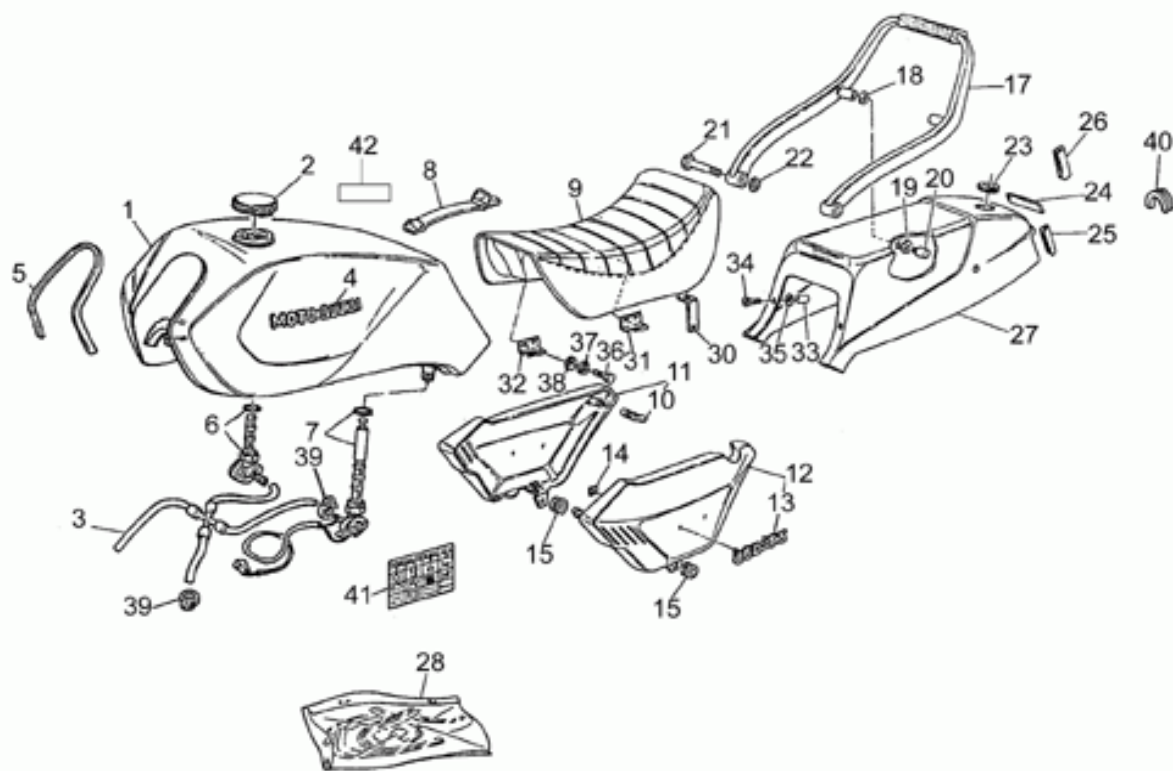
| Ref. | Description | Year | I.M. | Country | Version | Code | Qty |
|------|--------------------------------|------|------|---------|---------|----------|-----|
| 1 | Sac latéral d. cpl.bleu ciel | - | - | - | bl/wh | 28482545 | 1 |
| | Sacoche d. cpl.bleue C. | - | - | - | blue | 28482580 | 1 |
| | Sacoche d. cpl.blanche | - | - | - | white | 23482590 | 1 |
| 2 | Sac latérale g. cpl.bleu ciel | - | - | - | bl/wh | 28485745 | 1 |
| | Sacoche g. cpl.bleue C. | - | - | - | blue | 28485780 | 1 |
| | Sacoche g. cpl.blanche | - | - | - | white | 23485790 | 1 |
| 3 | Joint couvercle | - | - | - | - | 28483946 | 2 |
| 4 | Tampon | - | - | - | - | 19705900 | 2 |
| 5 | Support droite | - | - | - | - | 28485045 | 1 |
| 6 | Support gauche | - | - | - | - | 28486545 | 1 |
| 7 | Vis M6X20 | - | - | - | - | 98054320 | 12 |
| 8 | Rondelle 6,5x20x2 | - | - | - | - | 95100141 | 12 |
| 9 | Caoutchouc | - | - | - | - | 93110060 | 24 |
| 10 | Ecrou M6x1 | - | - | - | - | 92630106 | 8 |
| 11 | Caoutchouc | - | - | - | - | 28584845 | 2 |
| 12 | Plaque | - | - | - | - | 18423950 | 2 |
| 13 | Rondelle | - | - | - | - | 95004208 | 8 |
| 14 | Ecrou | - | - | - | - | 92630108 | 6 |
| 15 | Caoutchouc | - | - | - | - | 93180706 | 1 |
| 17 | Serrure | - | - | - | - | 28489945 | 2 |
| 18 | Pare-chocs AV d. | - | - | - | - | 28450347 | 1 |
| 19 | Pare-chocs AV g. | - | - | - | - | 28450447 | 1 |
| 20 | Plaquette | - | - | - | - | 17451750 | 1 |
| 21 | Vis M8X20 | - | - | - | - | 98054420 | 2 |
| 22 | Caoutchouc pass.câble | - | - | - | - | 28751944 | 1 |
| 23 | Rondelle | - | - | - | - | 95100244 | 4 |
| 24 | Plaque | - | - | - | - | 28483245 | 1 |
| 25 | Vis | - | - | - | - | 28576047 | 4 |
| 26 | Traverse raccordement sacoches | - | - | - | - | 28486880 | 1 |
| 27 | Ecrou | - | - | - | - | 92630508 | 2 |



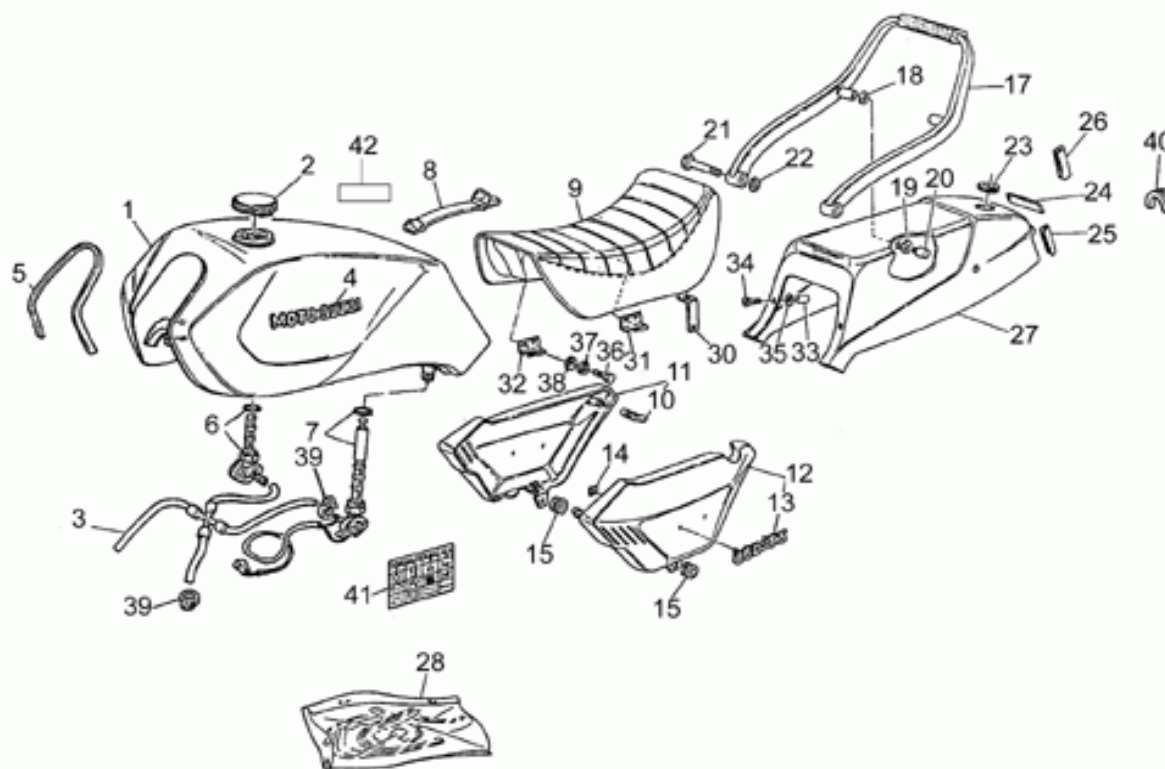
| Ref. | Description | Year | I.M. | Country | Version | Code | Qty |
|------|------------------------------|------|------|---------|---------|-----------|-----|
| 1 | Carrosserie AV bleue | - | - | - | blue | 28575318 | 1 |
| | Carrosserie AV bleu ciel | - | - | - | l.blu | 28575348 | 1 |
| | Carrosserie AV blanche | - | - | - | white | 28575319 | 1 |
| 2 | Carène AV bleue | - | - | - | blue | 28575417 | 1 |
| | Carène AV brute | - | - | - | gr | 285754301 | 1 |
| | Carène AV bleu ciel | - | - | - | l.blu | 28575448 | 1 |
| | carène AV blanche | - | - | - | white | 28575419 | 1 |
| 3 | Pare-brise | - | - | - | - | 28577247 | 1 |
| 4 | Carène latérale d. bleue | - | - | - | blue | 28570318 | 1 |
| | Carène latérale d. brute | - | - | - | gr | 285703181 | 1 |
| | Carène latérale d. bleu ciel | - | - | - | l.blu | 28570348 | 1 |
| | Carène latérale d. blanche | - | - | - | white | 28570319 | 1 |
| 5 | Conteneur d. | - | - | - | - | 30576210 | 1 |
| 6 | Caoutchouc | - | - | - | - | 91551085 | 3 |
| 7 | Vis | - | - | - | - | 99210316 | 8 |
| 8 | Carène latérale g. bleue | - | - | - | blue | 28570418 | 1 |
| | Carène latérale g. brute | - | - | - | gr | 285704181 | 1 |
| | Carène latérale g. bleu ciel | - | - | - | l.blu | 28570448 | 1 |
| | Carène latérale g. blanche | - | - | - | white | 28570419 | 1 |
| 9 | Conteneur g. | - | - | - | - | 30576310 | 1 |
| 10 | Protection genoux | - | - | - | - | 19941715 | 2 |
| 11 | Embout carène bleu | - | - | - | blue | 28570580 | 1 |
| | Embout carène brut | - | - | - | gr | 285705801 | 1 |
| | Butée carénage | - | - | - | l.blu | 28570548 | 1 |
| | Embout carène blanc | - | - | - | white | 28570519 | 1 |
| 12 | Support | - | - | - | - | 28578647 | 1 |
| 13 | Plaque | - | - | - | - | 28769747 | 2 |
| 14 | Miroir rétroviseur | - | - | - | - | 28769847 | 2 |
| 15 | Vis | - | - | - | - | 98250625 | 19 |
| 16 | Vis | - | - | - | - | 98250630 | 10 |
| 17 | Vis | - | - | - | - | 98250635 | 2 |
| 18 | Rondelle | - | - | - | - | 18577850 | 31 |
| 19 | Joint torique | - | - | - | - | 45212400 | 31 |
| 20 | Rondelle | - | - | - | - | 95100121 | 10 |
| 21 | Ecrou M6x1 | - | - | - | - | 92630206 | 14 |
| 22 | Caoutchouc | - | - | - | - | 93110060 | 6 |
| 23 | Rondelle 6,5x20x2 | - | - | - | - | 95100141 | 2 |
| 24 | Clip | - | - | - | - | 28576590 | 3 |
| 25 | Bride droite | - | - | - | - | 28579182 | 1 |
| 26 | Silentbloc | - | - | - | - | 93222020 | 2 |
| 27 | Ecrou en cage | - | - | - | - | 92660601 | 4 |
| 28 | Vis | - | - | - | - | 98610335 | 2 |
| 29 | Entretoise 7X12X5 | - | - | - | - | 91180705 | 2 |



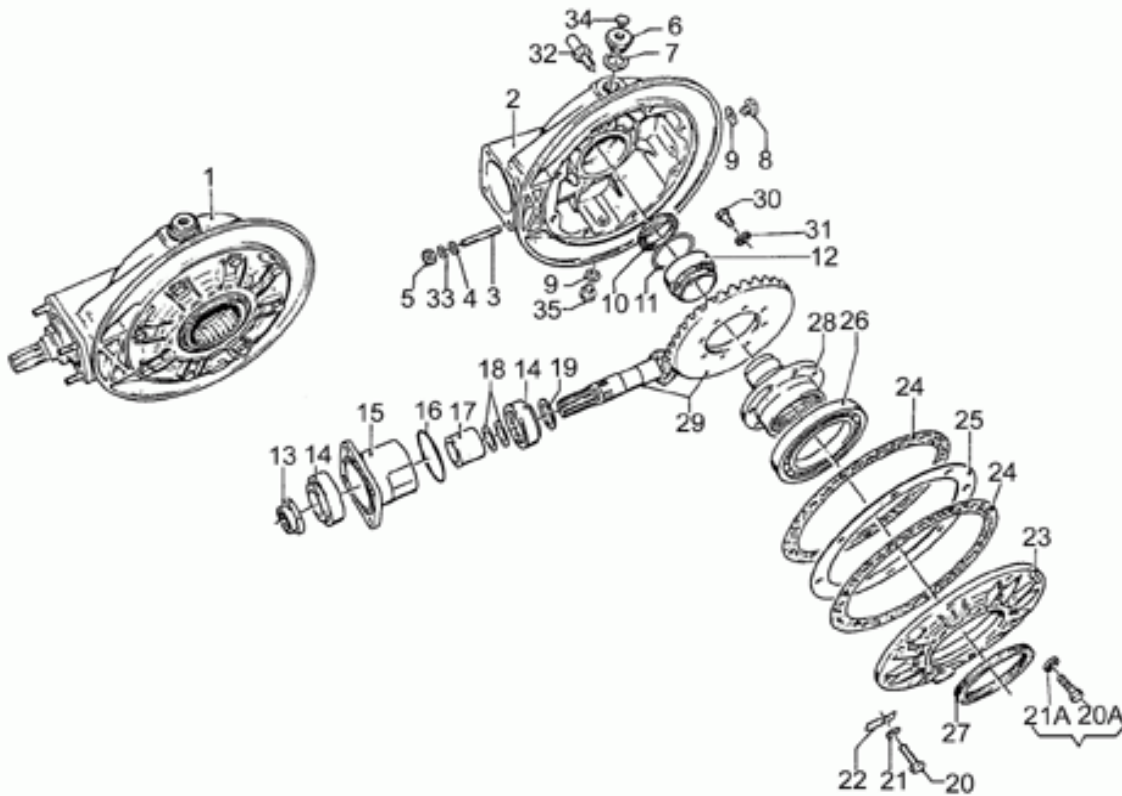
| Ref. | Description | Year | I.M. | Country | Version | Code | Qty |
|------|----------------------|------|------|---------|---------|-------------|-----|
| 30 | Bride gauche | - | - | - | - | 28579282 | 1 |
| 31 | Plaquette droite | - | - | - | - | 28571947 | 1 |
| 32 | Plaquette gauche | - | - | - | - | 28572147 | 1 |
| 33 | Vis M6X20 | - | - | - | - | 98054320 | 2 |
| 34 | Rondelle 6,15x11x0,8 | - | - | - | - | 95004206 | 2 |
| 35 | Plaquette | - | - | - | - | 28579160 | 1 |
| 36 | Vis | - | - | - | - | 98326016 | 1 |
| 37 | Entretoise | - | - | - | - | 91180607 | 1 |
| 38 | Rondelle | - | - | - | - | 95001206 | 2 |
| 39 | Ecrou | - | - | - | - | 92630207 | 2 |
| 40 | Vis | - | - | - | - | 98074416 | 3 |
| 41 | Rondelle élastique | - | - | - | - | 61270300 | 3 |
| 42 | Ecrou | - | - | - | - | 92630105 | 4 |
| 43 | Rondelle | - | - | - | - | 95000205 | 4 |
| 44 | Joint PVC | - | - | - | - | 00823931080 | 1 |
| 45 | Plaquette | - | - | - | - | 28585447 | 2 |
| 46 | Rondelle | - | - | - | - | 95100123 | 2 |
| 47 | Vis | - | - | - | - | 98230612 | 2 |
| 48 | Miroir rétroviseur | - | - | - | CAR | 17769861 | 2 |



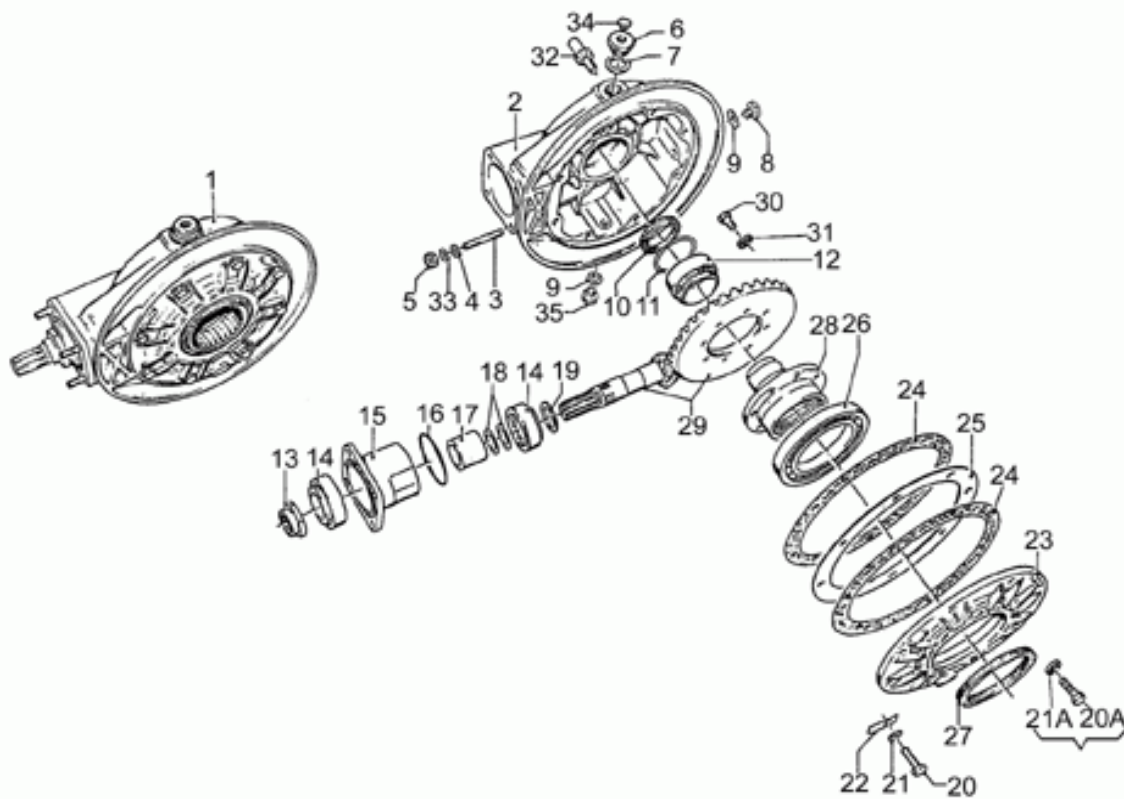
| Ref. | Description | Year | I.M. | Country | Version | Code | Qty |
|------|---------------------------|------|------|---------|---------|-------------|-----|
| 1 | Reservoir carburant | - | - | - | blue | 28100218 | 1 |
| | Réservoir brut | - | - | - | gr | 281002371 | 1 |
| | Reservoir carburant | - | - | - | l.blu | 28100237 | 1 |
| | Reservoir carburant | - | - | - | p.whi | 89000182 | 1 |
| | Reservoir carburant | - | - | - | white | 28100219 | 1 |
| | Reservoir carburant | - | - | - | POL gr | 28100295 | 1 |
| 2 | Bouchon réservoir | - | - | - | - | 28103946 | 1 |
| | Bouchon réservoir essence | - | - | - | POL | 28103995 | 1 |
| 3 | Tuyau essence | - | - | - | - | 29106500 | 1 |
| 4 | Plaquette "Moto Guzzi" | - | - | - | - | 28917300 | 2 |
| 5 | Joint | - | - | - | - | 00823931070 | 1 |
| 6 | Robinet ess. d. | - | - | - | - | 23105470 | 1 |
| 7 | Robinet ess. g. | - | - | - | - | 23105370 | 1 |
| 8 | Elastique de fixation | - | - | - | - | 14102600 | 1 |
| 9 | Selle | - | - | - | - | 28460580 | 1 |
| 10 | Tige | - | - | - | - | 27471920 | 4 |
| 11 | Recouvrement D.bleu | - | - | - | blue | 28476283 | 1 |
| | Recouvrement d.brut | - | - | - | gr | 284762491 | 1 |
| | Recouvrement d. bleu ciel | - | - | - | l.blu | 28476249 | 1 |
| | Recouvrement d.blanc | - | - | - | white | 28476284 | 1 |
| 12 | Recouvrement g. bleu | - | - | - | blue | 28476380 | 1 |
| | Recouvrement g.brut | - | - | - | gr | 284763001 | 1 |
| | Recouvrement g. bleu ciel | - | - | - | l.blu | 28476345 | 1 |
| | Recouvrement g.blanc | - | - | - | white | 28476319 | 1 |
| 13 | Plaque 850T5 | - | - | - | - | 28922000 | 2 |
| 14 | Plaquette | - | - | - | - | 39922200 | 4 |
| 15 | Caoutchouc | - | - | - | - | 91551082 | 2 |
| 17 | Poignée pass. | - | - | - | - | 28464301 | 1 |
| 18 | Rondelle | - | - | - | - | 28478645 | 2 |
| 19 | Entretoise | - | - | - | - | 28471845 | 2 |
| 20 | Pivot | - | - | - | - | 28471945 | 2 |
| 21 | Axe de fixation | - | - | - | - | 28466845 | 2 |
| 22 | Rondelle | - | - | - | - | 95129180 | 2 |
| 23 | Caoutchouc | - | - | - | - | 28479945 | 1 |
| 24 | Déc."MotoGuzzi" | - | - | - | - | 28923400 | 1 |
| 25 | Joint g. | - | - | - | - | 28439846 | 1 |
| 26 | Joint d. | - | - | - | - | 28439845 | 1 |
| 27 | Queue bleue Carabinieri | - | - | - | blue | 28472680 | 1 |
| | Queue brute | - | - | - | gr | 284726451 | 1 |
| | Queue bleu ciel | - | - | - | l.blu | 28472645 | 1 |
| | Queue blanche | - | - | - | white | 28472646 | 1 |
| 28 | Décalco série | - | - | - | - | 28923345 | 1 |
| 30 | Languette | - | - | - | - | 28460945 | 1 |



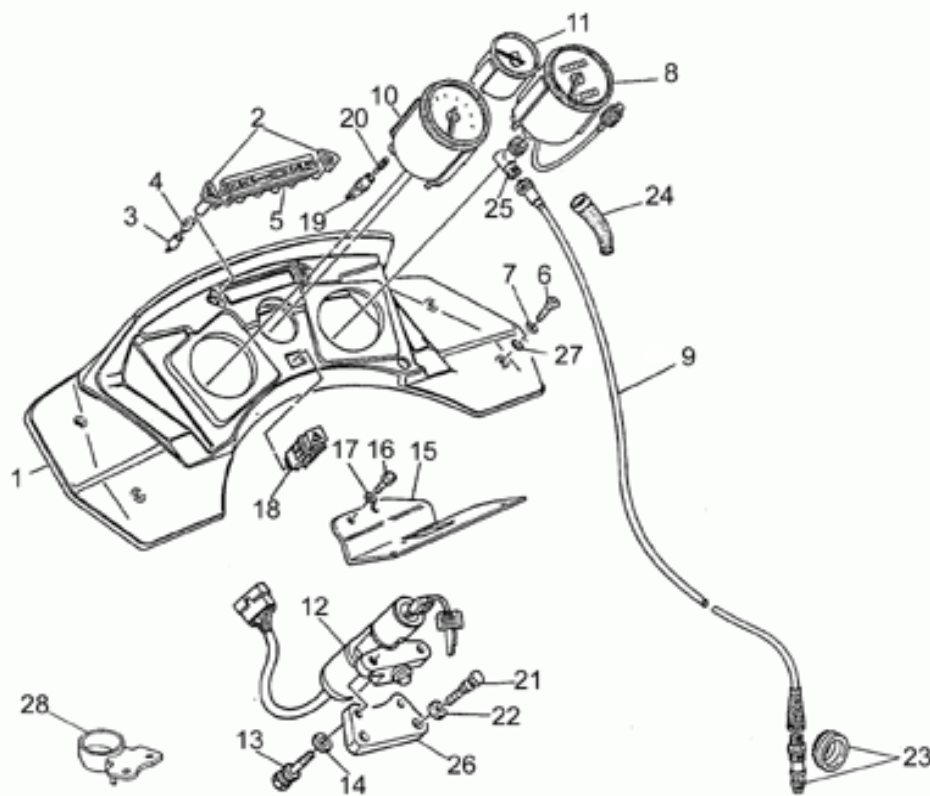
| Ref. | Description | Year | I.M. | Country | Version | Code | Qty |
|------|--------------------------------|------|------|---------|---------|----------|-----|
| 31 | Charnière arrière selle | - | - | - | - | 28461345 | 1 |
| 32 | Charnière avant selle | - | - | - | - | 28461300 | 1 |
| 33 | Tige fixation | - | - | - | - | 28472545 | 2 |
| 34 | Vis | - | - | - | - | 98280610 | 2 |
| 35 | Rondelle | - | - | - | - | 95000206 | 2 |
| 36 | Vis M6X16 | - | - | - | - | 98054316 | 5 |
| 37 | Rondelle 6,5X17X1.5 | - | - | - | - | 95100139 | 5 |
| 38 | Rondelle évent. | - | - | - | - | 95021106 | 5 |
| 39 | Collier | - | - | - | - | 93305017 | 4 |
| 40 | Caoutchouc | - | - | - | - | 28479945 | 2 |
| 41 | Décalcomanie "schema fusibili" | - | - | - | - | 28945448 | 1 |
| 42 | Décalcomanie | - | - | - | T2 | 29995735 | 1 |



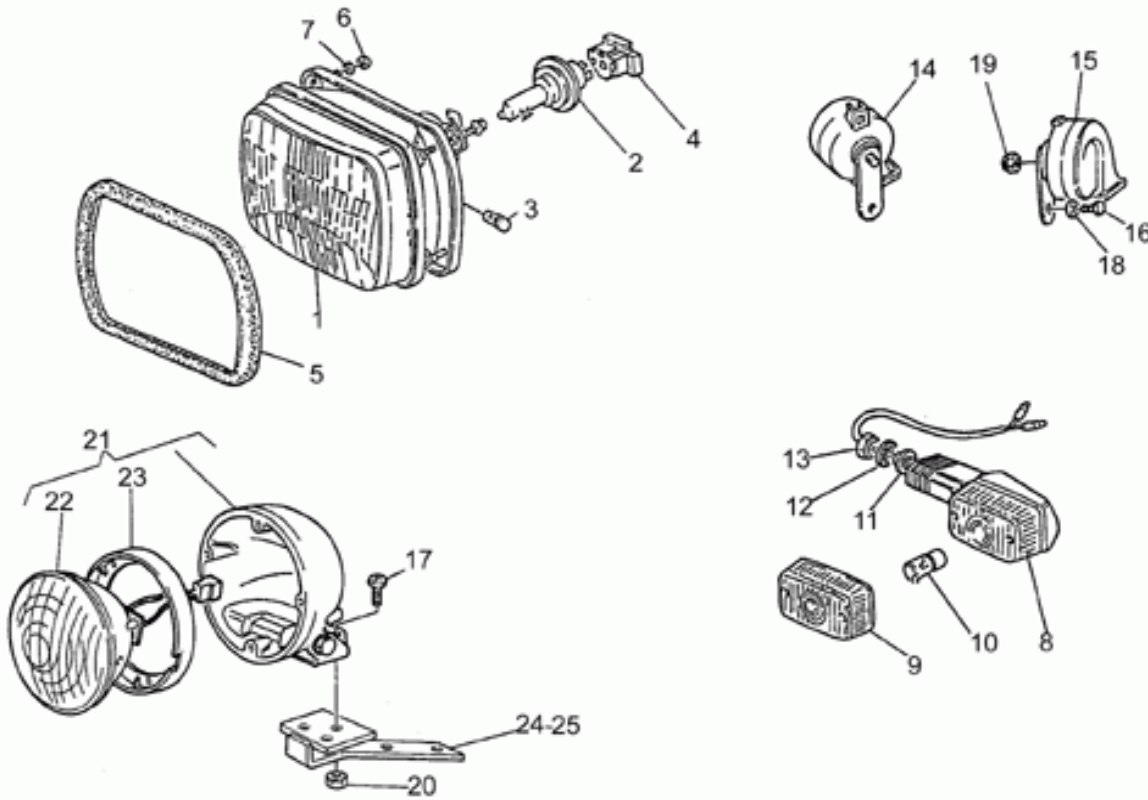
| Ref. | Description | Year | I.M. | Country | Version | Code | Qty |
|------|-----------------------------|------|------|---------|---------|----------|-----|
| 1 | Boîte transm.cpl.grise | - | - | - | - | 28350246 | 1 |
| | Boîte transm.cpl.brute | - | - | - | gr | 28350245 | 1 |
| 2 | Carter de transmission | - | - | - | - | 30350360 | 1 |
| | Boîtier transm.brut | - | - | - | gr | 28350345 | 1 |
| 3 | Vis sans tête | - | - | - | - | 96508045 | 4 |
| 4 | Rondelle | - | - | - | - | 14615901 | 4 |
| 5 | Ecrou | - | - | - | - | 92630508 | 4 |
| 6 | Bouchon huile | - | - | - | - | 12022600 | 1 |
| 7 | Joint torique 20,24x2,62 | - | - | - | - | 90706203 | 1 |
| 8 | Bouchon niveau huile | - | - | - | - | 95980214 | 1 |
| 9 | Garniture | - | - | - | - | 10528900 | 2 |
| 10 | Bague d'étanchéité | - | - | - | - | 90403850 | 1 |
| 11 | Bague d'étanchéité | - | - | - | - | 12351100 | 1 |
| 12 | Roulement à rouleaux | - | - | - | - | 92254340 | 1 |
| 13 | Ecrou | - | - | - | - | 30356760 | 1 |
| 14 | Roulement roul.con. | - | - | - | - | 92249227 | 2 |
| 15 | Flasque | - | - | - | - | 18352400 | 1 |
| 16 | Joint 58,42x2,62 | - | - | - | - | 90706584 | 2 |
| 17 | Entretoise | - | - | - | - | 18355100 | 1 |
| 18 | Rondelle ajustem. 0,1 mm | - | - | - | - | 12355202 | 1 |
| | Rondelle ajustem. 0,15 mm | - | - | - | - | 12355203 | 1 |
| 19 | Cale 1 mm | - | - | - | - | 19355320 | 1 |
| | Cale 1,1 mm | - | - | - | - | 19355321 | 1 |
| | Cale 1,2 mm | - | - | - | - | 19355322 | 1 |
| | Cale 1,3 mm | - | - | - | - | 19355323 | 1 |
| | Cale 1,4 mm | - | - | - | - | 19355324 | 1 |
| | Cale 1,5 mm | - | - | - | - | 19355325 | 1 |
| | Cale 1,6 mm | - | - | - | - | 19355326 | 1 |
| | Cale 1,7 mm | - | - | - | - | 19355327 | 1 |
| | Cale 1,8 mm | - | - | - | - | 19355328 | 1 |
| | Cale 1,9 mm | - | - | - | - | 19355329 | 1 |
| 20 | Vis M8X25 | - | - | - | 1A | 98054425 | 8 |
| | Vis | - | - | - | 2A | 19357660 | 8 |
| 21 | Rondelle élastique | - | - | - | 1A | 61270300 | 8 |
| | Rondelle | - | - | - | 2A | 14615901 | 8 |
| 22 | Plaquette | - | - | - | - | 95187008 | 8 |
| 23 | Bride | - | - | - | - | 17350400 | 1 |
| 24 | Joint | - | - | - | - | 17350700 | 2 |
| 25 | Cale 0,8 mm | - | - | - | - | 17355400 | 1 |
| | Cale 0,9 mm | - | - | - | - | 17355402 | 1 |
| | Cale 1 mm | - | - | - | - | 17355404 | 1 |
| | Cale 1,1 mm | - | - | - | - | 17355406 | 1 |



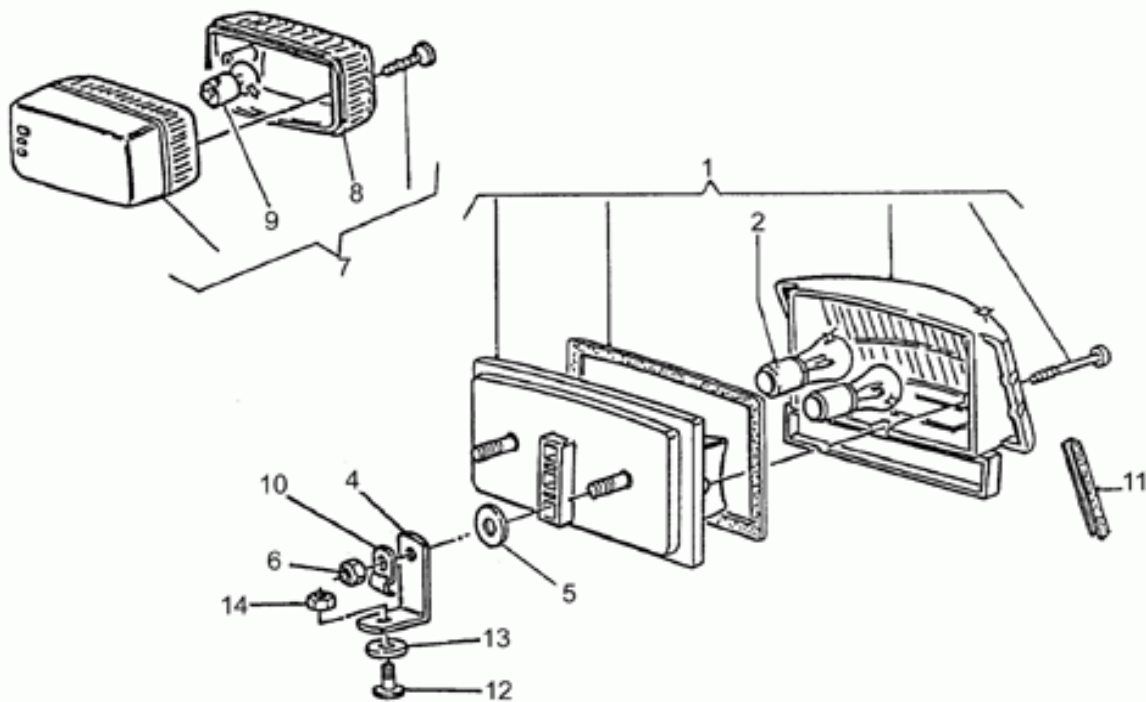
| Ref. | Description | Year | I.M. | Country | Version | Code | Qty |
|------|------------------------------|------|------|---------|---------|----------|-----|
| 25 | Cale 1,2 mm | - | - | - | - | 17355408 | 1 |
| | Cale 1,3 mm | - | - | - | - | 17355410 | 1 |
| | Cale 1,5 mm | - | - | - | - | 17355412 | 1 |
| 26 | Roulement à billes 70x110x13 | - | - | - | - | 92201070 | 1 |
| 27 | Bague d'étanchéité | - | - | - | - | 90407085 | 1 |
| 28 | Bride de traction | - | - | - | - | 17351400 | 1 |
| 29 | Couple conique z6/32 | - | - | - | - | 17354690 | 1 |
| 30 | Vis | - | - | - | - | 12356300 | 8 |
| 31 | Rondelle | - | - | - | - | 14615901 | 8 |
| 32 | Pivot | - | - | - | - | 28555200 | 1 |
| 33 | Rondelle | - | - | - | - | 95007208 | 4 |
| 34 | Bouchon | - | - | - | - | 93180245 | 1 |
| 35 | Bouchon vid.huile | - | - | - | - | 31003766 | 1 |



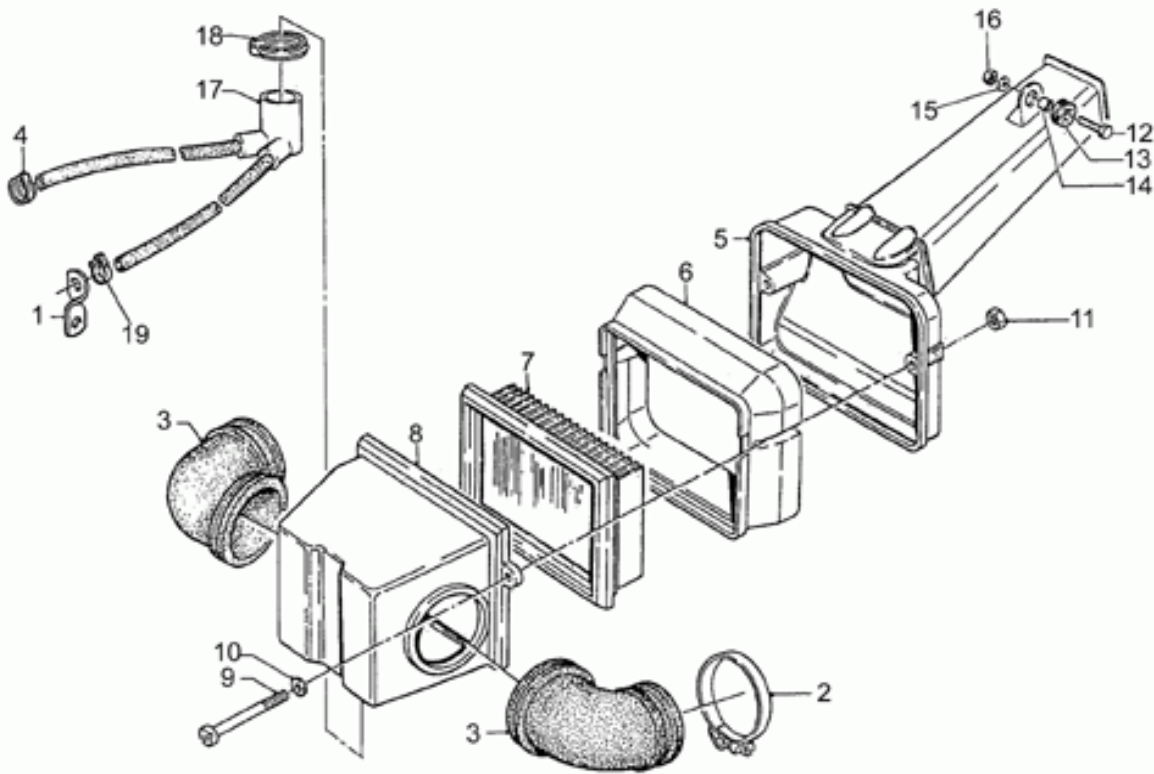
| Ref. | Description | Year | I.M. | Country | Version | Code | Qty |
|------|-------------------------------|------|------|---------|---------|----------|-----|
| 1 | Tableau de bord | - | - | - | - | 28766247 | 1 |
| 2 | Porte-témoins clignotants | - | - | - | - | 65758970 | 2 |
| 3 | Porte-ampoule | - | - | - | - | 19768680 | 8 |
| 4 | Lampe (ou Ampoule) 12V-1,2W | - | - | - | - | 93450140 | 8 |
| 5 | Boîtier témoins | - | - | - | - | 27766985 | 1 |
| 6 | Vis | - | - | - | - | 98250625 | 4 |
| 7 | Rondelle | - | - | - | - | 18577850 | 4 |
| 8 | Compteur kilométrique | - | - | - | - | 29761560 | 1 |
| 9 | Transmission tachymètre | - | - | - | - | 28760410 | 1 |
| 10 | Electronic revolution counter | - | - | - | - | 28767235 | 1 |
| 11 | Voltmètre | - | - | - | - | 29784960 | 1 |
| 12 | Commutateur à clé | - | - | - | - | 30782500 | 1 |
| 13 | Vis spéciale M8x15 | - | - | - | - | 97260415 | 2 |
| 14 | Rondelle élastique | - | - | - | - | 61270300 | 2 |
| 15 | Plaque support | - | - | - | - | 28502347 | 1 |
| 16 | Vis | - | - | - | - | 98074416 | 2 |
| 17 | Rondelle | - | - | - | - | 95007208 | 2 |
| 18 | Turn indicator switch | - | - | - | - | 28745761 | 1 |
| 19 | Porte-ampoule | - | - | - | - | 14768650 | 3 |
| 20 | Lampe (ou Ampoule) 12V 3W | - | - | - | - | 17762150 | 3 |
| 21 | Vis à arrachement | - | - | - | 1A | 97260425 | 2 |
| | Vis M8X40 | - | - | - | 2A | 98620440 | 2 |
| 22 | Rondelle | - | - | - | - | 95004208 | 2 |
| 23 | Renvoi compteur km | - | - | - | - | 29762550 | 1 |
| 24 | Gaine | - | - | - | - | 17762200 | 1 |
| 25 | Renvoi 90j | - | - | - | - | 17768360 | 1 |
| 26 | Support commutateur POLIZIA | - | - | - | 1A | 20782321 | 1 |
| | Support commutateur | - | - | - | 2A | 28782347 | 1 |
| 27 | Joint torique | - | - | - | - | 45212400 | 4 |
| 28 | Protection bloque-direction | - | - | - | 2A | 28783647 | 1 |



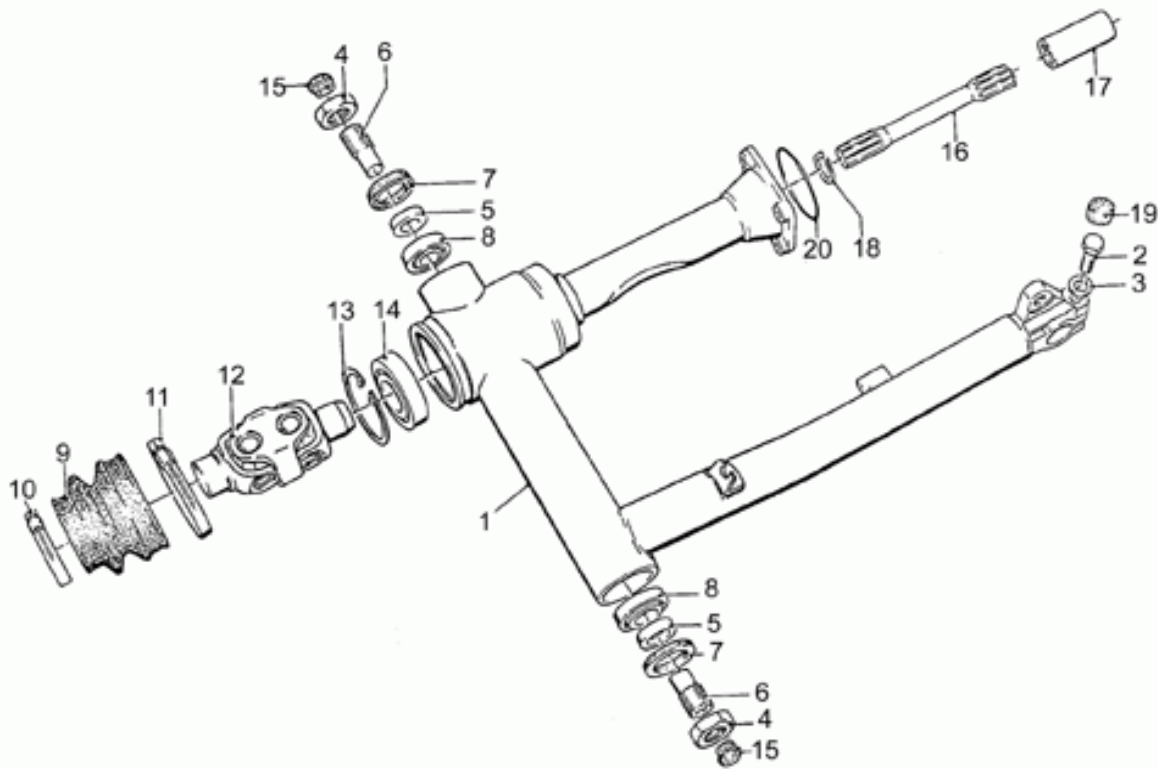
| Ref. | Description | Year | I.M. | Country | Version | Code | Qty |
|------|-------------------------------|------|------|---------|---------|-------------|-----|
| 1 | Feu avant | - | - | - | - | 28740560 | 1 |
| 2 | Lampe (ou Ampoule) 12V-55/60W | - | - | - | - | 93450232 | 1 |
| 3 | Lampe (ou Ampoule) 12V-4W | - | - | - | - | 93450119 | 1 |
| 4 | Porte-ampoule | - | - | - | - | 14756255 | 1 |
| 5 | Joint | - | - | - | - | 00823933090 | 1 |
| 6 | Ecrou | - | - | - | - | 92602205 | 4 |
| 7 | Rondelle évent. | - | - | - | - | 95021105 | 3 |
| 8 | Clignotant AV | - | - | - | - | 28750747 | 2 |
| 9 | Vitre clignotant | - | - | - | - | 28753747 | 2 |
| 10 | Lampe (ou Ampoule) 12V-10W | - | - | - | - | 93450127 | 2 |
| 11 | Entretoise | - | - | - | - | 28753447 | 2 |
| 12 | Rondelle | - | - | - | - | 95100409 | 2 |
| 13 | Ecrou bas M12x1,25 | - | - | - | - | 92602512 | 2 |
| 14 | Avertisseur ton aigu | - | - | - | - | 28743760 | 1 |
| 15 | Avertisseur ton grave | - | - | - | - | 28743761 | 1 |
| 16 | Vis M6X16 | - | - | - | - | 98054316 | 2 |
| 17 | Vis | - | - | - | - | 98290520 | 6 |
| 18 | Rondelle | - | - | - | - | 95000206 | 2 |
| 19 | Ecrou M6x1 | - | - | - | - | 92630206 | 2 |
| 20 | Ecrou | - | - | - | - | 92630105 | 6 |
| 21 | Feu halogène cpl.bleu CPU | - | - | - | CAR | 31743335 | 2 |
| 22 | Feu suppl.halogène bleu CPU | - | - | - | CAR | 23743392 | 2 |
| 23 | Cadre phare | - | - | - | - | 23742890 | 2 |
| 24 | Bride droite | - | - | - | - | 28728045 | 1 |
| 25 | Bride gauche | - | - | - | - | 28728145 | 1 |



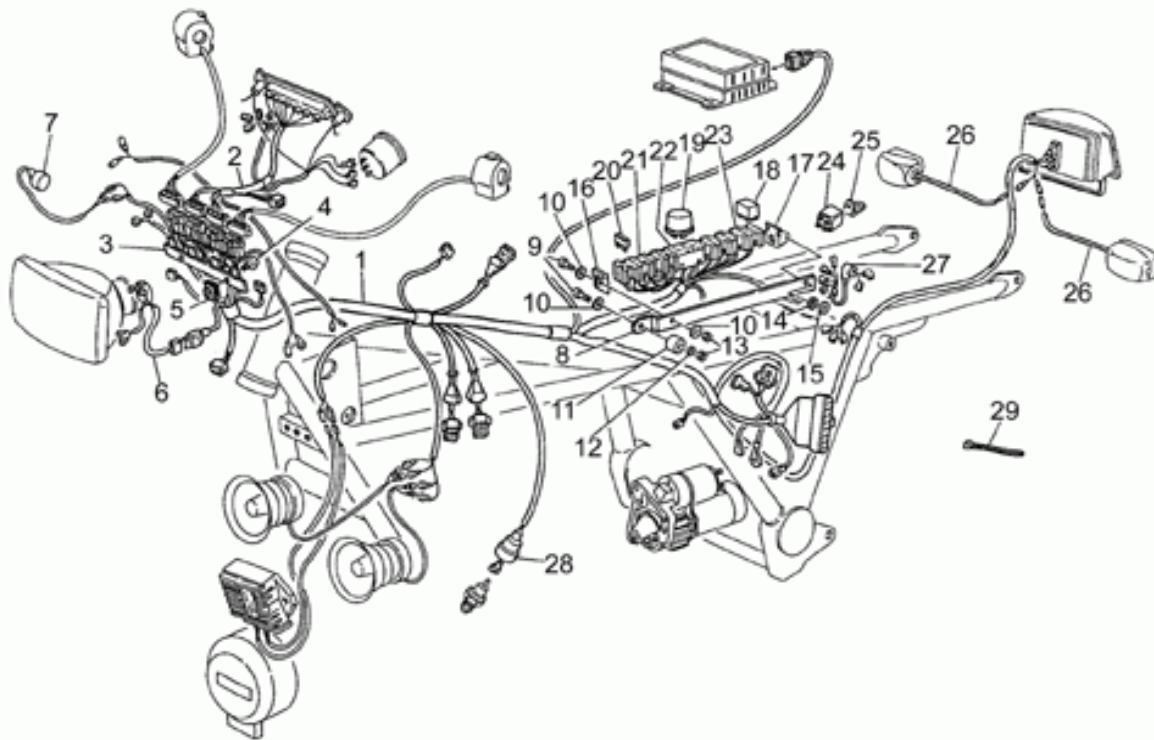
| Ref. | Description | Year | I.M. | Country | Version | Code | Qty |
|------|------------------------------|------|------|---------|---------|----------|-----|
| 1 | Feu arrière | - | - | - | - | 27740985 | 1 |
| 2 | Lampe (ou Ampoule) 12V/5-21W | - | - | - | - | 93450224 | 2 |
| 4 | Plaquette | - | - | - | - | 28438000 | 2 |
| 5 | Cale | - | - | - | - | 90716067 | 2 |
| 6 | Ecrou M6x1 | - | - | - | - | 92630206 | 3 |
| 7 | Clignotant arrière | - | - | - | - | 28751647 | 2 |
| 8 | Vitre clignotant | - | - | - | - | 28753747 | 2 |
| 9 | Lampe (ou Ampoule) 12V-10W | - | - | - | - | 93450127 | 2 |
| 10 | Cavalier | - | - | - | - | 93301175 | 1 |
| 11 | Joint | - | - | - | - | 28439800 | 2 |
| 12 | Vis | - | - | - | - | 98326016 | 2 |
| 13 | Caoutchouc | - | - | - | - | 93110060 | 2 |
| 14 | Ecrou M6x1 | - | - | - | - | 92630106 | 2 |



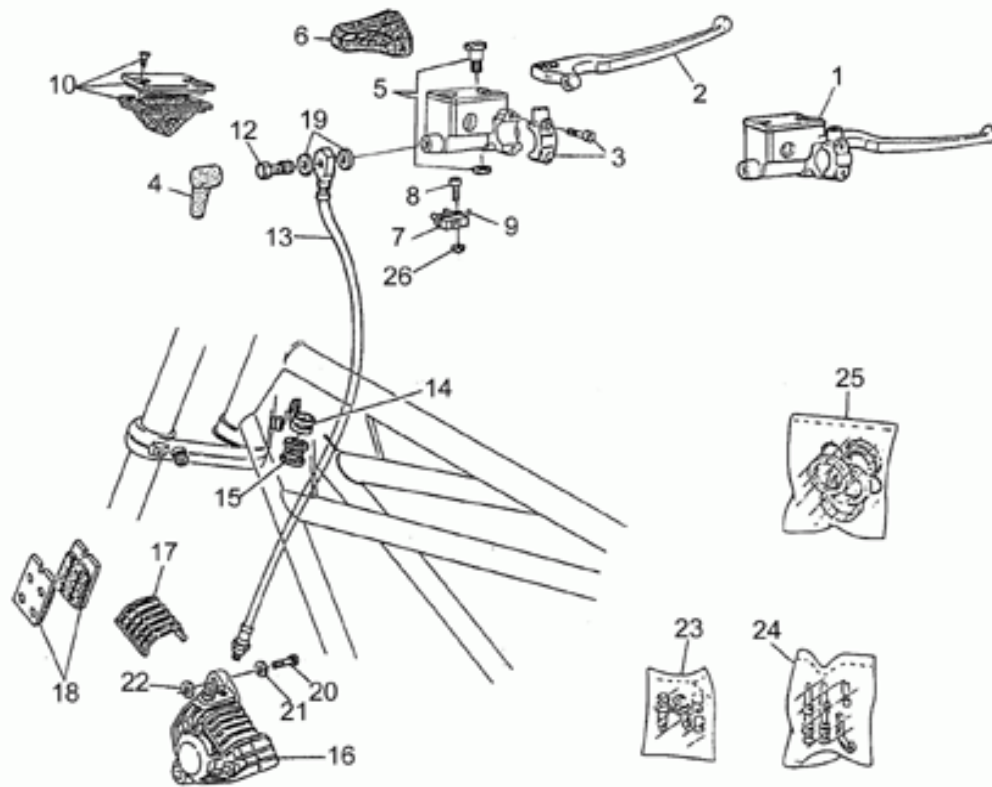
| Ref. | Description | Year | I.M. | Country | Version | Code | Qty |
|------|------------------------|------|------|---------|---------|----------|-----|
| 1 | Plaquette | - | - | - | - | 14115401 | 1 |
| 2 | Collier 59,5/55 | - | - | - | - | 93305057 | 2 |
| 3 | Manchon de carburateur | - | - | - | - | 14114460 | 2 |
| 4 | Collier | - | - | - | - | 28157950 | 1 |
| 5 | Couvercle filtre | - | - | - | - | 28113450 | 1 |
| 6 | Support filtre | - | - | - | - | 28114050 | 1 |
| 7 | Filtre air | - | - | - | - | 28113660 | 1 |
| 8 | Corps filtre | - | - | - | T1 | 28114350 | 1 |
| | Collecteur aspiration | - | - | - | T2 | 28114345 | 1 |
| 9 | Vis | - | - | - | - | 98052270 | 2 |
| 10 | Rondelle | - | - | - | - | 95000205 | 2 |
| 11 | Ecrou | - | - | - | - | 92630105 | 2 |
| 12 | Vis M6X20 | - | - | - | - | 98054320 | 1 |
| 13 | Caoutchouc | - | - | - | - | 91551085 | 1 |
| 14 | Entretoise | - | - | - | - | 91180607 | 1 |
| 15 | Rondelle 6,5x20x2 | - | - | - | - | 95100141 | 1 |
| 16 | Ecrou M6x1 | - | - | - | - | 92630106 | 1 |
| 17 | Tuyau | - | - | - | - | 28157050 | 1 |
| 18 | Collier | - | - | - | - | 28157850 | 1 |
| 19 | Collier | - | - | - | - | 28157750 | 1 |



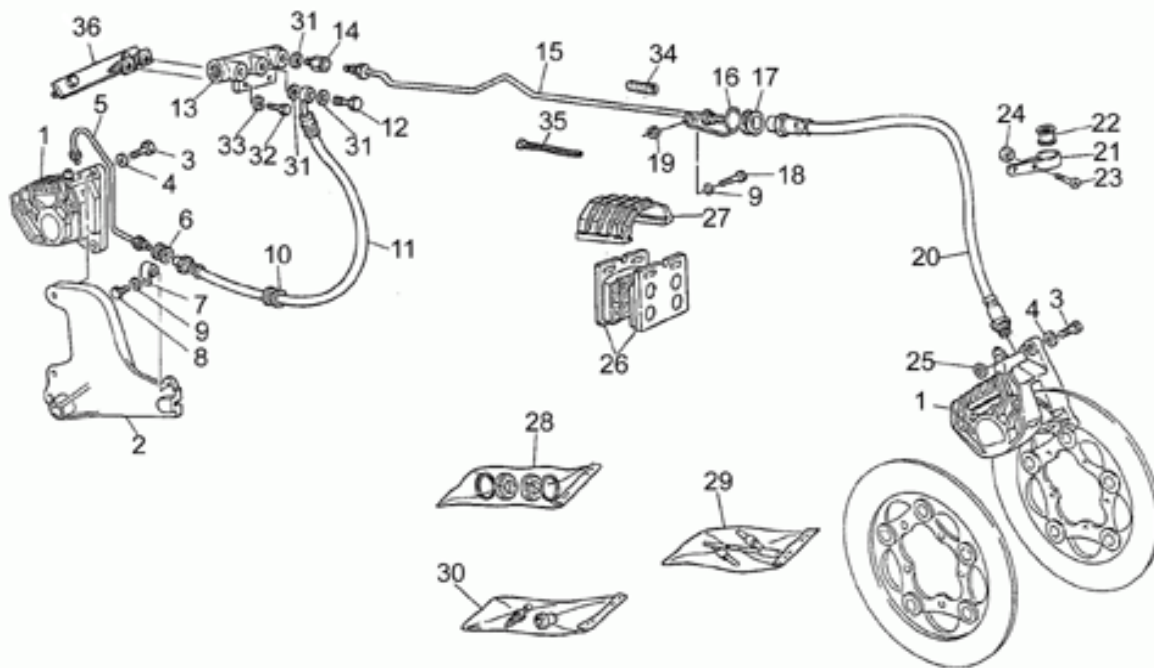
| Ref. | Description | Year | I.M. | Country | Version | Code | Qty |
|------|-----------------------|------|------|---------|---------|----------|-----|
| 1 | Fourche arriere | - | - | - | - | 28540200 | 1 |
| 2 | Vis | - | - | - | - | 98052535 | 1 |
| 3 | Rondelle 10,2x18x2 | - | - | - | - | 95004210 | 1 |
| 4 | Ecrou | - | - | - | - | 14547800 | 2 |
| 5 | Entretoise | - | - | - | - | 12547200 | 2 |
| 6 | Pivot | - | - | - | - | 14547001 | 2 |
| 7 | Bague d'étanchéité | - | - | - | - | 90403040 | 2 |
| 8 | Roulement | - | - | - | - | 92249217 | 2 |
| 9 | Collier de protection | - | - | - | - | 18548000 | 1 |
| 10 | Collier 60x62x10 | - | - | - | - | 93305060 | 1 |
| 11 | Collier | - | - | - | - | 93305078 | 1 |
| 12 | Joint | - | - | - | - | 30328031 | 1 |
| 13 | Bague seeger | - | - | - | - | 90272062 | 1 |
| 14 | Roulement à billes | - | - | - | - | 92204230 | 1 |
| 15 | Bouchon | - | - | - | - | 93180105 | 2 |
| 16 | Arbre de transmission | - | - | - | - | 28326345 | 1 |
| 17 | Manchon | - | - | - | - | 18327700 | 1 |
| 18 | Anneau élastique | - | - | - | - | 90271020 | 3 |
| 19 | Bouchon | - | - | - | - | 14498550 | 1 |
| 20 | Joint 58,42x2,62 | - | - | - | - | 90706584 | 1 |



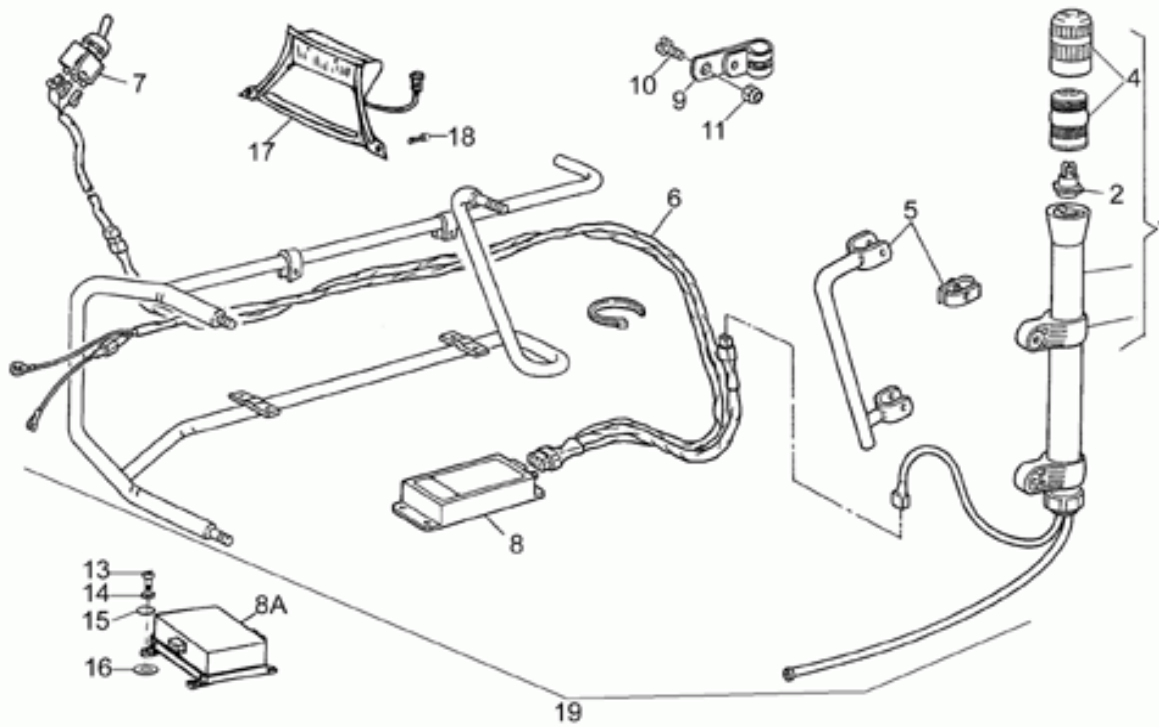
| Ref. | Description | Year | I.M. | Country | Version | Code | Qty |
|------|---------------------------|------|------|---------|---------|----------|-----|
| 1 | Circuit électrique | - | - | - | - | 28747149 | 1 |
| 2 | Câblage tableau de bord | - | - | - | - | 28747248 | 1 |
| 3 | Plaque | - | - | - | - | 28749747 | 1 |
| 4 | Vis | - | - | - | - | 98326016 | 2 |
| 5 | Clip | - | - | - | - | 28576590 | 2 |
| 6 | Câblage feu AV | - | - | - | 1A | 14747455 | 1 |
| | Câblage feu AV | - | - | - | 2A | 28747449 | 1 |
| 7 | Klaxon | - | - | - | - | 28787247 | 1 |
| 8 | Plaque support | - | - | - | - | 28424848 | 1 |
| 9 | Vis M6X16 | - | - | - | - | 98622316 | 3 |
| 10 | Rondelle | - | - | - | - | 95000206 | 1 |
| 11 | Tampon | - | - | - | - | 14103800 | 1 |
| 12 | Rondelle | - | - | - | - | 95100121 | 1 |
| 13 | Ecrou M6x1 | - | - | - | - | 92630206 | 3 |
| 14 | Caoutchouc | - | - | - | - | 93110060 | 2 |
| 15 | Rondelle | - | - | - | - | 95100120 | 1 |
| 16 | Bride droite | - | - | - | - | 30477101 | 1 |
| 17 | Plaque g. | - | - | - | - | 30477200 | 1 |
| 18 | Relais Siemens A302/B1008 | - | - | - | - | 30732560 | 4 |
| 19 | Clignotement | - | - | - | - | 17750520 | 1 |
| 20 | Fusible 15A | - | - | - | - | 28742560 | 4 |
| 21 | Boîte à fusibles | - | - | - | - | 30732200 | 4 |
| 22 | Support | - | - | - | - | 30756100 | 1 |
| 23 | Support relais | - | - | - | - | 30732400 | 4 |
| 24 | Relais sirènes SWF | - | - | - | - | 28732545 | 2 |
| 25 | Support relais | - | - | - | - | 28732946 | 2 |
| 26 | Cablage clignot. | - | - | - | - | 28753145 | 2 |
| 27 | Capuchon | - | - | - | - | 12735100 | 1 |
| 28 | Capuchon | - | - | - | - | 12717600 | 1 |
| 29 | Collier | - | - | - | - | 14609650 | 1 |



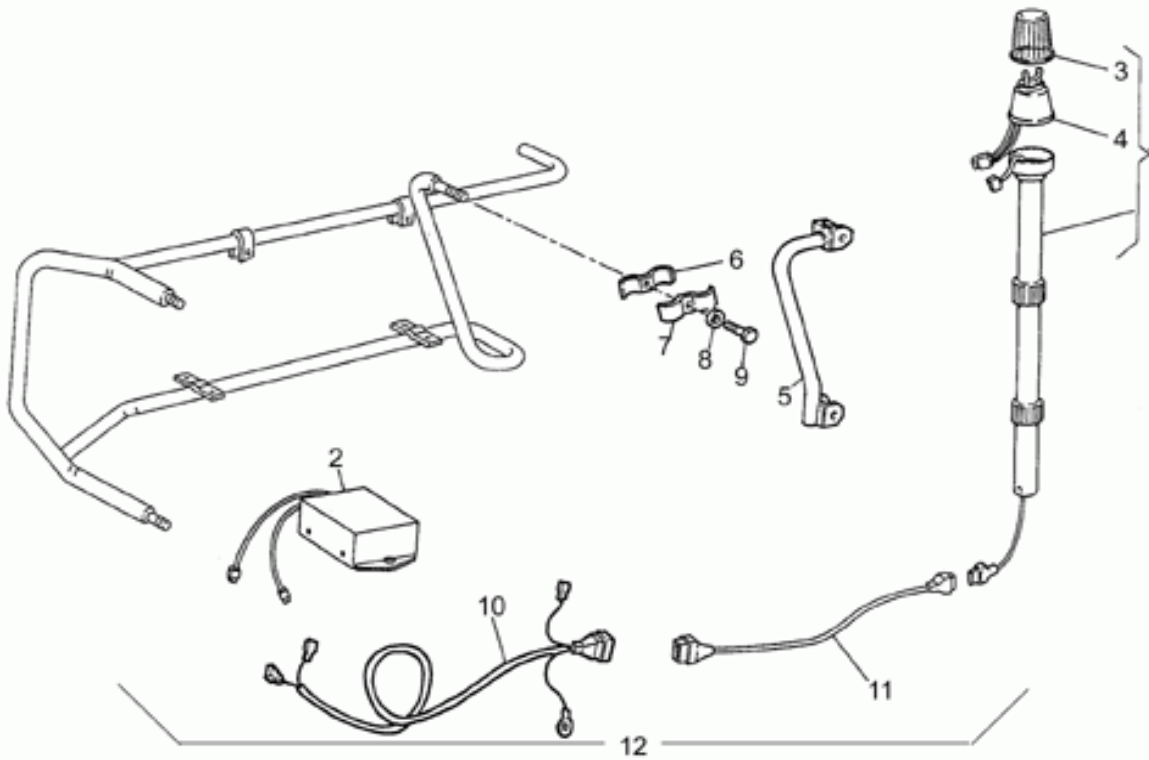
| Ref. | Description | Year | I.M. | Country | Version | Code | Qty |
|------|------------------------|------|------|---------|---------|----------|-----|
| 1 | Maît. cyl. frein AV | - | - | - | - | 30660160 | 1 |
| 2 | Levier frein | - | - | - | - | 30605680 | 1 |
| 3 | Cavalier | - | - | - | - | 27664075 | 1 |
| 4 | Capuchon | - | - | - | - | 39663801 | 1 |
| 5 | Pivot | - | - | - | - | 27604815 | 1 |
| 6 | Capuchon | - | - | - | - | 27663615 | 1 |
| 7 | Minirupteur | - | - | - | - | 30749860 | 1 |
| 8 | Vis | - | - | - | - | 98200214 | 2 |
| 9 | Bille | - | - | - | - | 92295708 | 1 |
| 10 | Couvercle pompe | - | - | - | - | 27661115 | 1 |
| 12 | Vis spéciale | - | - | - | - | 95990028 | 1 |
| 13 | Tube frein AV | - | - | - | - | 28657140 | 1 |
| 14 | Collier | - | - | - | - | 17658460 | 1 |
| 15 | Bague | - | - | - | - | 17658260 | 1 |
| 16 | Pince frein AV D | - | - | - | - | 28653001 | 1 |
| 17 | Couvercle pince frein | - | - | - | - | 17654760 | 1 |
| 18 | Plaquettes (couple) | - | - | - | - | 28654601 | 1 |
| 19 | Joint 1mm | - | - | - | - | 25656100 | 2 |
| 20 | Vis | - | - | - | - | 98054525 | 2 |
| 21 | Rondelle | - | - | - | - | 95129180 | 2 |
| 22 | Rondelle d'appui 0,5mm | - | - | - | - | 95100332 | 1 |
| | Rondelle d'appui 0,8mm | - | - | - | - | 95100333 | 1 |
| 23 | Purge+capuchon | - | - | - | - | 17659260 | 1 |
| 24 | Pivots+ressorts pince | - | - | - | - | 14659100 | 1 |
| 25 | Kit révision pince | - | - | - | - | 14659000 | 1 |
| 26 | Ecrou | - | - | - | - | 92601002 | 2 |



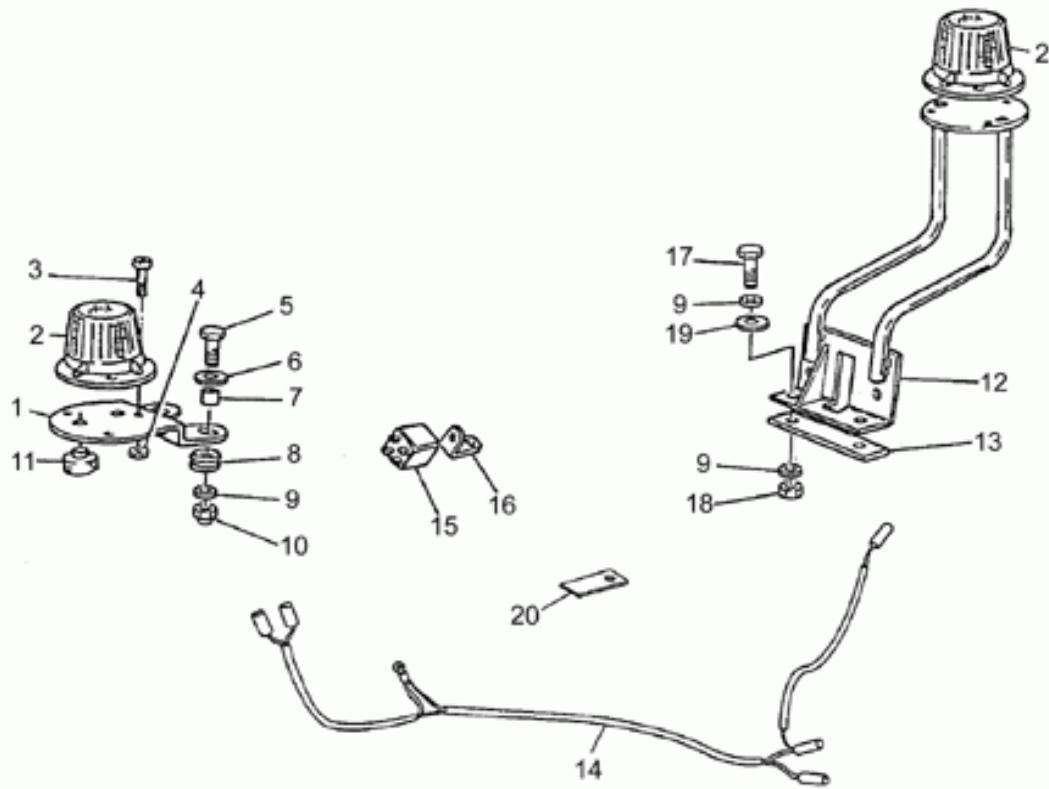
| Ref. | Description | Year | I.M. | Country | Version | Code | Qty |
|------|-------------------------|------|------|---------|---------|----------|-----|
| 1 | Pince frein | - | - | - | - | 28652301 | 2 |
| 2 | Bride | - | - | - | - | 28635847 | 1 |
| 3 | Vis | - | - | - | - | 98054525 | 4 |
| 4 | Rondelle | - | - | - | - | 95129180 | 4 |
| 5 | Tuyau | - | - | - | - | 17658650 | 1 |
| 6 | Anneau élastique | - | - | - | - | 90716142 | 1 |
| 7 | Collier | - | - | - | - | 62436500 | 1 |
| 8 | Vis | - | - | - | - | 98054314 | 1 |
| 9 | Rondelle | - | - | - | - | 95000206 | 3 |
| 10 | Caoutchouc | - | - | - | - | 91551131 | 1 |
| 11 | Tuyau répartiteur-pince | - | - | - | - | 28657545 | 1 |
| 12 | Vis spéciale | - | - | - | - | 95990028 | 1 |
| 13 | Répartiteur | - | - | - | - | 28668046 | 1 |
| 14 | Répartiteur | - | - | - | - | 28668145 | 1 |
| 15 | Tuyau | - | - | - | - | 28658745 | 1 |
| 16 | Guide-câble | - | - | - | - | 28659700 | 1 |
| 17 | Bague | - | - | - | - | 91551120 | 1 |
| 18 | Vis M6X16 | - | - | - | - | 98054316 | 1 |
| 19 | Ecrou M6x1 | - | - | - | - | 92630106 | 1 |
| 20 | Tuyau flexible | - | - | - | - | 28658840 | 1 |
| 21 | Collier | - | - | - | - | 17658460 | 1 |
| 22 | Bague | - | - | - | - | 17658260 | 1 |
| 23 | Vis | - | - | - | - | 98280410 | 1 |
| 24 | Ecrou M4x0,7 | - | - | - | - | 92630104 | 1 |
| 25 | Rondelle d'appui 0,5mm | - | - | - | - | 95100332 | 1 |
| | Rondelle d'appui 0,8mm | - | - | - | - | 95100333 | 1 |
| 26 | Plaquettes (couple) | - | - | - | - | 28654601 | 2 |
| 27 | Couvercle pince frein | - | - | - | - | 17654760 | 2 |
| 28 | Kit révision pince | - | - | - | - | 14659000 | 2 |
| 29 | Pivots+ressorts pince | - | - | - | - | 14659100 | 2 |
| 30 | Purge+capuchon | - | - | - | - | 17659260 | 2 |
| 31 | Joint 1mm | - | - | - | - | 25656100 | 3 |
| 32 | Vis M6X16 | - | - | - | - | 98054316 | 2 |
| 33 | Rondelle spéciale | - | - | - | - | 61013800 | 2 |
| 34 | Segment d'étanchéité | - | - | - | - | 17659650 | 2 |
| 35 | Collier | - | - | - | - | 14609650 | 1 |
| 36 | Plaque support | - | - | - | - | 28415548 | 1 |



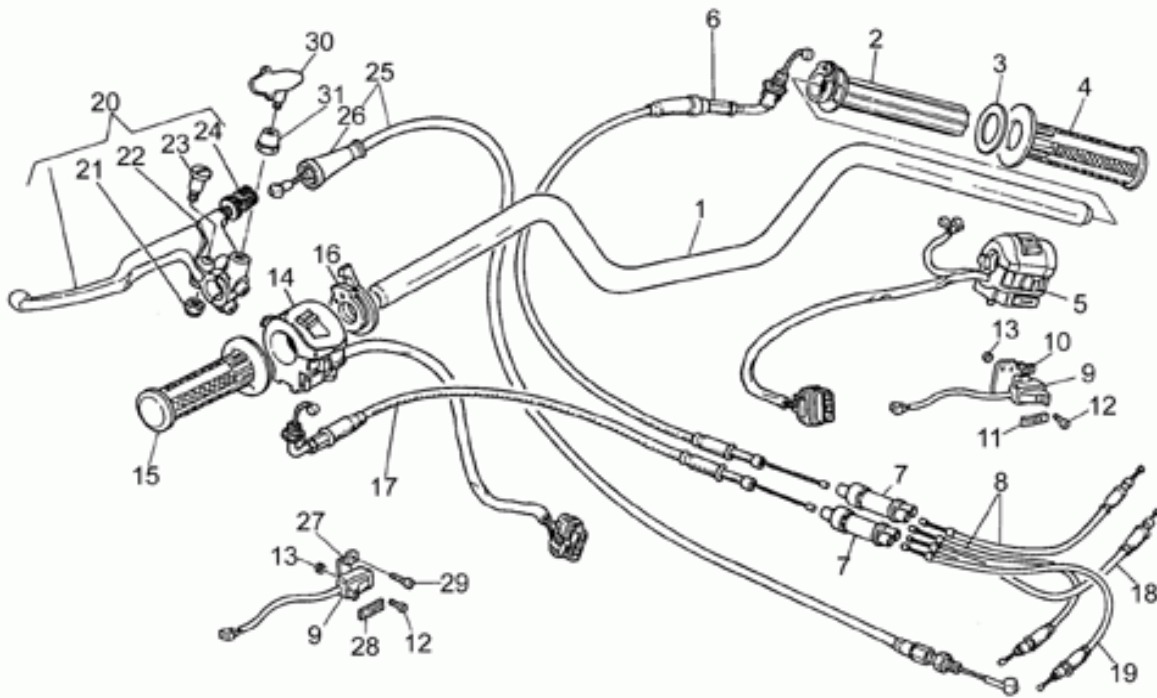
| Ref. | Description | Year | I.M. | Country | Version | Code | Qty |
|------|---------------------------------|------|------|---------|---------|----------|-----|
| 1 | Motorized strobo kit SONORA | - | - | - | 1A-EC | 28786225 | 1 |
| | Kit strobo motorisé cpl. SONORA | - | - | - | 2A-MC | 28999580 | 1 |
| 2 | Lampe stroboscopique | - | - | - | 1A-EC | 28530526 | 1 |
| | Lampe strobo | - | - | - | 2A-MC | 28530580 | 1 |
| 4 | Glace strobo | - | - | - | - | 28530529 | 1 |
| 5 | Support strobo | - | - | - | - | 28785625 | 1 |
| 6 | Câblage feu strobo | - | - | - | 1A-EC | 28726225 | 1 |
| | Câblage centrale-strobo SONORA | - | - | - | 2A-MC | 28726280 | 1 |
| 7 | Interrupteur | - | - | - | - | 20745720 | 1 |
| 8 | Centrale | - | - | - | 1A-EC | 28785925 | 1 |
| | Centrale Sonora | - | - | - | 2A-MC | 03785980 | 1 |
| 9 | Collier | - | - | - | - | 17658360 | 1 |
| 10 | Vis | - | - | - | - | 98202516 | 1 |
| 11 | Ecrou | - | - | - | - | 92630205 | 1 |
| 13 | Vis | - | - | - | - | 98230625 | 2 |
| 14 | Rondelle | - | - | - | - | 18577850 | 2 |
| 15 | Joint torique | - | - | - | - | 45212400 | 2 |
| 16 | Caoutchouc | - | - | - | - | 93110060 | 2 |
| 17 | Feu AV bleu Sonora | - | - | - | - | 28743380 | 1 |
| 18 | Vis | - | - | - | - | 98230625 | 1 |
| 19 | kit montage feu strobo | - | - | - | - | 28999581 | 1 |



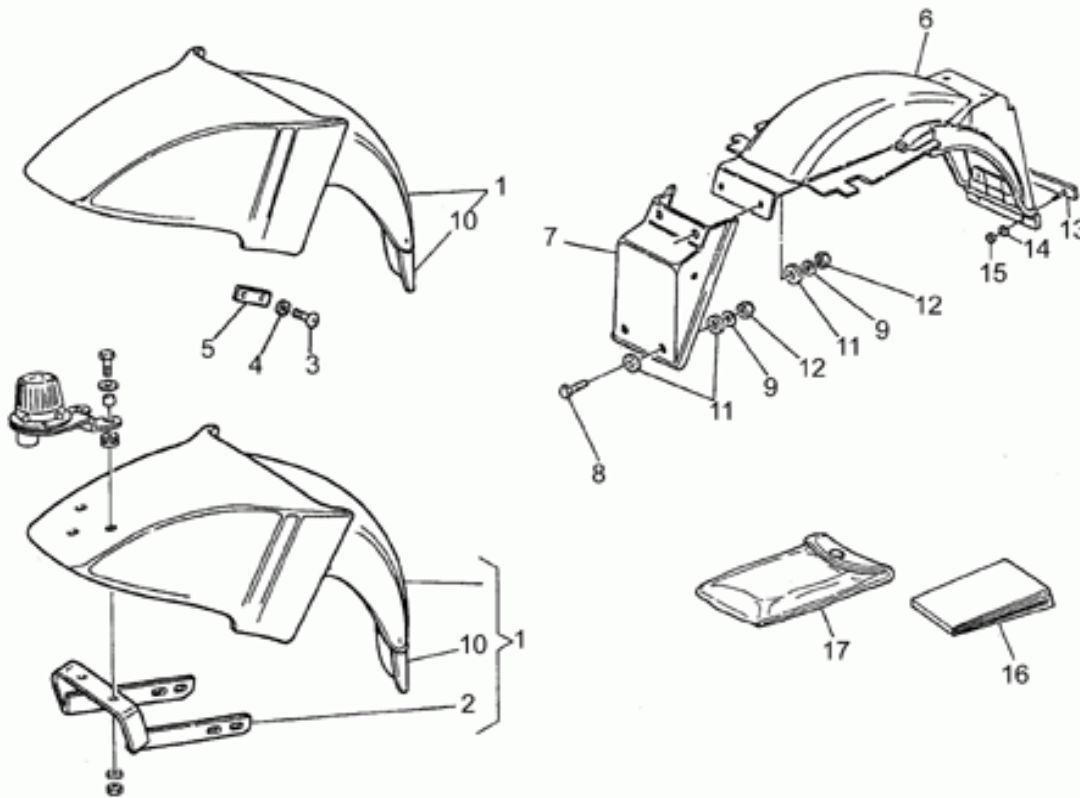
| Ref. | Description | Year | I.M. | Country | Version | Code | Qty |
|------|---------------------------|------|------|---------|---------|----------|-----|
| 1 | Motorized strobo kit VAMA | - | - | - | - | 28786245 | 1 |
| 2 | Centrale VAMA 1A can. | - | - | - | - | 28785945 | 1 |
| 3 | Glace strobo | - | - | - | - | 28798245 | 1 |
| 4 | Lampe strobo | - | - | - | - | 28798345 | 1 |
| 5 | Support strobo | - | - | - | - | 28785645 | 1 |
| 6 | Cavalier | - | - | - | - | 28786445 | 3 |
| 7 | Cavalier | - | - | - | - | 28786345 | 3 |
| 8 | Rondelle élastique | - | - | - | - | 61270300 | 3 |
| 9 | Vis | - | - | - | - | 98074314 | 3 |
| 10 | Câblage centrale | - | - | - | - | 28726245 | 1 |
| 11 | Câblage centr.-lampe Vama | - | - | - | - | 19757893 | 1 |
| 12 | Kit feu strobo Vama | - | - | - | - | 28999545 | 1 |



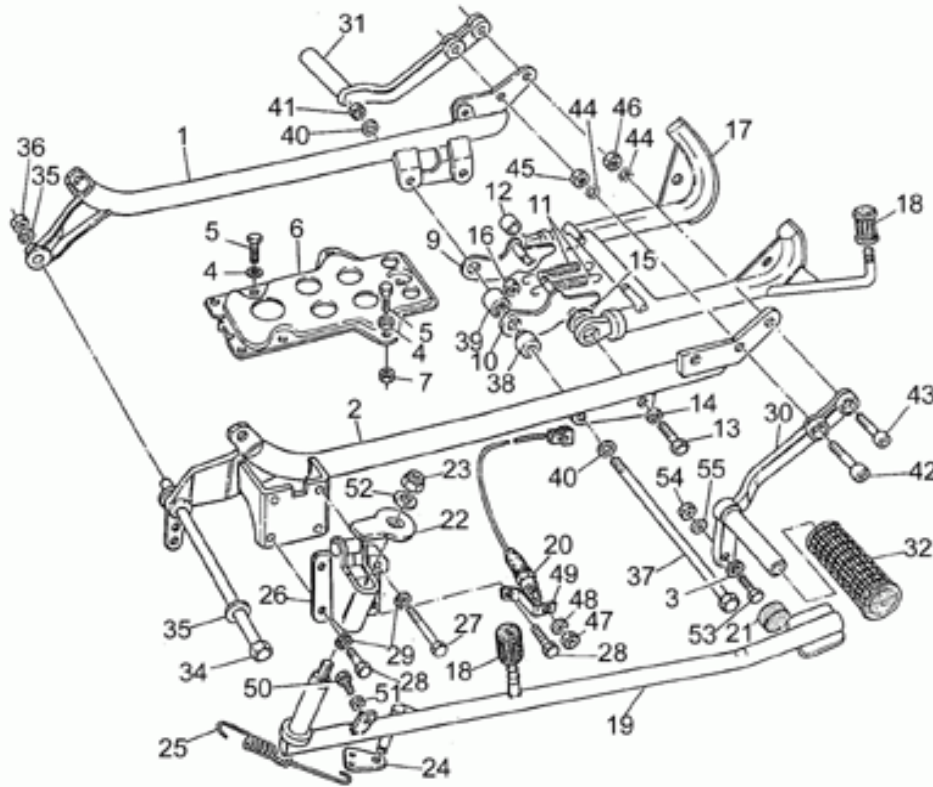
| Ref. | Description | Year | I.M. | Country | Version | Code | Qty |
|------|-------------------------|------|------|---------|---------|----------|-----|
| 1 | Support clignotant | - | - | - | - | 28726581 | 1 |
| 2 | Calotte | - | - | - | - | 17720980 | 2 |
| | Support clignotant cpl. | - | - | - | - | 17726680 | 2 |
| 3 | Vis | - | - | - | - | 98202420 | 6 |
| 4 | Ecrou M4x0,7 | - | - | - | - | 92630104 | 6 |
| 5 | Vis | - | - | - | - | 98054325 | 2 |
| 6 | Rondelle 6,5x20x2 | - | - | - | - | 95100141 | 2 |
| 7 | Entretoise | - | - | - | - | 91180607 | 2 |
| 8 | Caoutchouc | - | - | - | - | 91551085 | 2 |
| 9 | Rondelle | - | - | - | - | 95000206 | 6 |
| 10 | Ecrou | - | - | - | - | 92781062 | 2 |
| 11 | Caoutchouc | - | - | - | - | 28726981 | 1 |
| 12 | Support clignotant | - | - | - | - | 28726881 | 1 |
| 13 | Plaque | - | - | - | - | 28726780 | 1 |
| 14 | Câblage lumières bleues | - | - | - | - | 28750981 | 1 |
| 15 | Relais sirènes SWF | - | - | - | - | 28732545 | 1 |
| 16 | Support relais | - | - | - | - | 28732946 | 1 |
| 17 | Vis M6X20 | - | - | - | - | 98054320 | 2 |
| 18 | Ecrou M6x1 | - | - | - | - | 92630106 | 2 |
| 19 | Cale | - | - | - | - | 90716067 | 2 |
| 20 | Plaque | - | - | - | - | 95187006 | 1 |



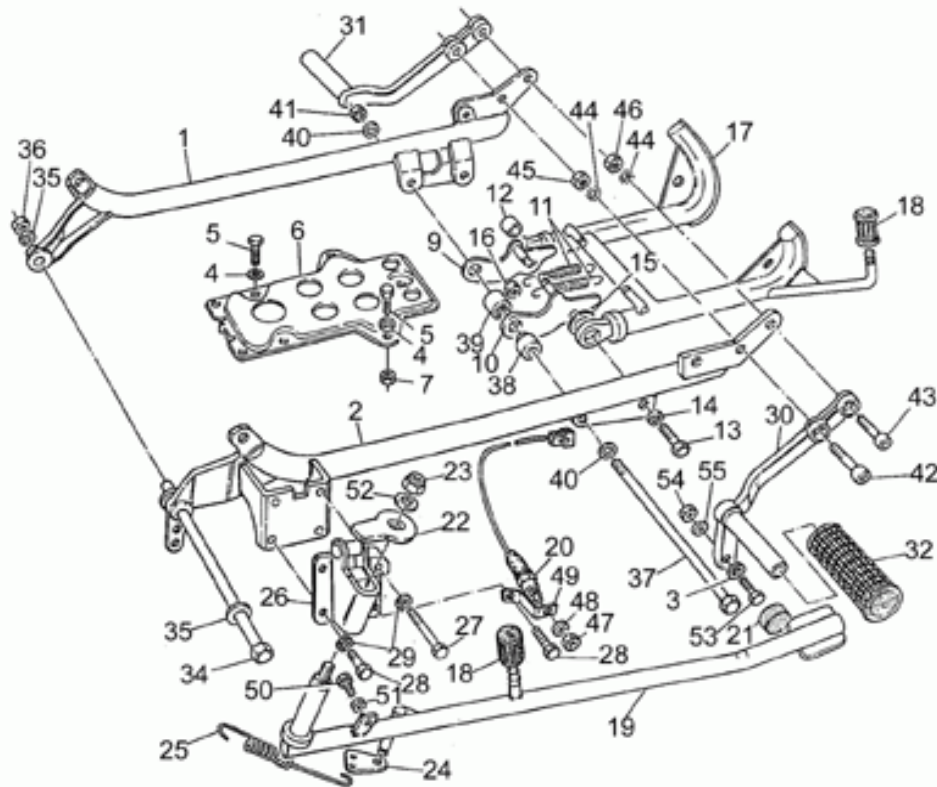
| Ref. | Description | Year | I.M. | Country | Version | Code | Qty |
|------|-------------------------------|------|------|---------|---------|----------|-----|
| 1 | Guidon | - | - | - | - | 28600336 | 1 |
| 2 | Tuyau gaz sans manette | - | - | - | - | 30603800 | 1 |
| 3 | Rondelle nylon | - | - | - | - | 30606900 | 1 |
| 4 | Poignée dr. | - | - | - | - | 19603515 | 1 |
| 5 | Déviateur feux dte | - | - | - | - | 30738860 | 1 |
| 6 | Câble gaz | - | - | - | - | 31117565 | 1 |
| 7 | Dedoubleur | - | - | - | - | 30607910 | 2 |
| 8 | Câble gaz avec dédoubleur | - | - | - | - | 29117750 | 2 |
| 9 | Interrupteur | - | - | - | - | 19756315 | 2 |
| 10 | Support droite | - | - | - | - | 19756725 | 1 |
| 11 | Décalco int.sirène | - | - | - | - | 19924825 | 1 |
| 12 | Vis | - | - | - | - | 98610110 | 2 |
| 13 | Ecrou | - | - | - | - | 92601003 | 2 |
| 14 | Déviateur feux gche | - | - | - | - | 30738060 | 1 |
| 15 | Poignée gc. | - | - | - | - | 19603015 | 1 |
| 16 | Commande starter | - | - | - | - | 30135200 | 1 |
| 17 | Câble starter | - | - | - | - | 31132865 | 1 |
| 18 | Câble starter d. | - | - | - | - | 29133550 | 1 |
| 19 | Câble starter g. | - | - | - | - | 29134050 | 1 |
| 20 | Levier embrayage complet | - | - | - | - | 30605560 | 1 |
| 21 | Ecrou | - | - | - | - | 92602206 | 1 |
| 22 | Supp.du levier nude l'embray. | - | - | - | - | 30601800 | 1 |
| 23 | Goujon de levier | - | - | - | - | 30530528 | 1 |
| 24 | Réglage | - | - | - | - | 30602500 | 1 |
| 25 | Câble embrayage | - | - | - | - | 28093046 | 1 |
| 26 | Soufflet | - | - | - | - | 23093870 | 1 |
| 27 | Support gauche | - | - | - | - | 28756747 | 1 |
| 28 | Décalco int.lumières | - | - | - | - | 19924815 | 1 |
| 29 | Vis | - | - | - | - | 98622225 | 1 |
| 30 | Support interrupteur | - | - | - | - | 19504025 | 1 |
| 31 | Ecrou | - | - | - | - | 19769625 | 1 |



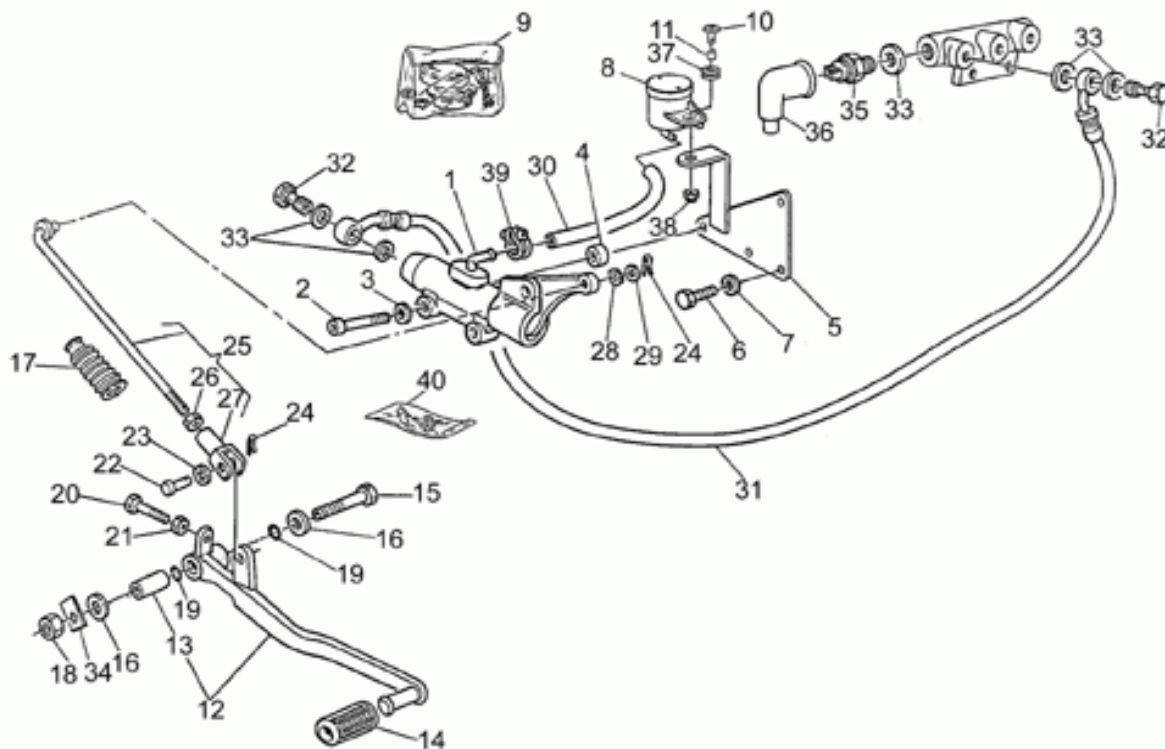
| Ref. | Description | Year | I.M. | Country | Version | Code | Qty |
|------|----------------------------|------|------|---------|---------|-------------|-----|
| 1 | Garde-boue Av. | - | - | - | black | 89000206 | 1 |
| | Garde-boue Av. | - | - | - | blue | 28434388 | 1 |
| | Garde-boue AV | - | - | - | gr | 304344101 | 1 |
| | Garde-boue Av. | - | - | - | l.blu | 28434348 | 1 |
| | Garde-boue Av. | - | - | - | white | 28434319 | 1 |
| 2 | Cavalier | - | - | - | - | 28435786 | 1 |
| 3 | Vis | - | - | - | - | 98230816 | 4 |
| 4 | Rondelle élastique | - | - | - | - | 61270300 | 4 |
| 5 | Plaquette | - | - | - | - | 28436747 | 2 |
| 6 | Garde-boue Ar. | - | - | - | - | 28437010 | 1 |
| 7 | Bavette anti-éclaboussures | - | - | - | - | 14438750 | 1 |
| 8 | Vis M6X20 | - | - | - | - | 98054320 | 2 |
| 9 | Rondelle 6,5x20x2 | - | - | - | - | 95100141 | 4 |
| 10 | Bavette anti-éclaboussures | - | - | - | - | 28436945 | 1 |
| 11 | Caoutchouc | - | - | - | - | 93110060 | 6 |
| 12 | Ecrou M6x1 | - | - | - | - | 92630106 | 4 |
| 13 | Catadioptré arrière | - | - | - | - | 28745800 | 1 |
| 14 | Rondelle | - | - | - | - | 95129080 | 2 |
| 15 | Ecrou | - | - | - | - | 92602204 | 2 |
| 16 | Livret d'util.et entret. | - | - | - | - | 28900080 | 1 |
| 17 | Trousse à outils | - | - | - | - | 28929940 | 1 |
| 18 | Garde-boue AV | - | - | - | blue | 28434486009 | 1 |



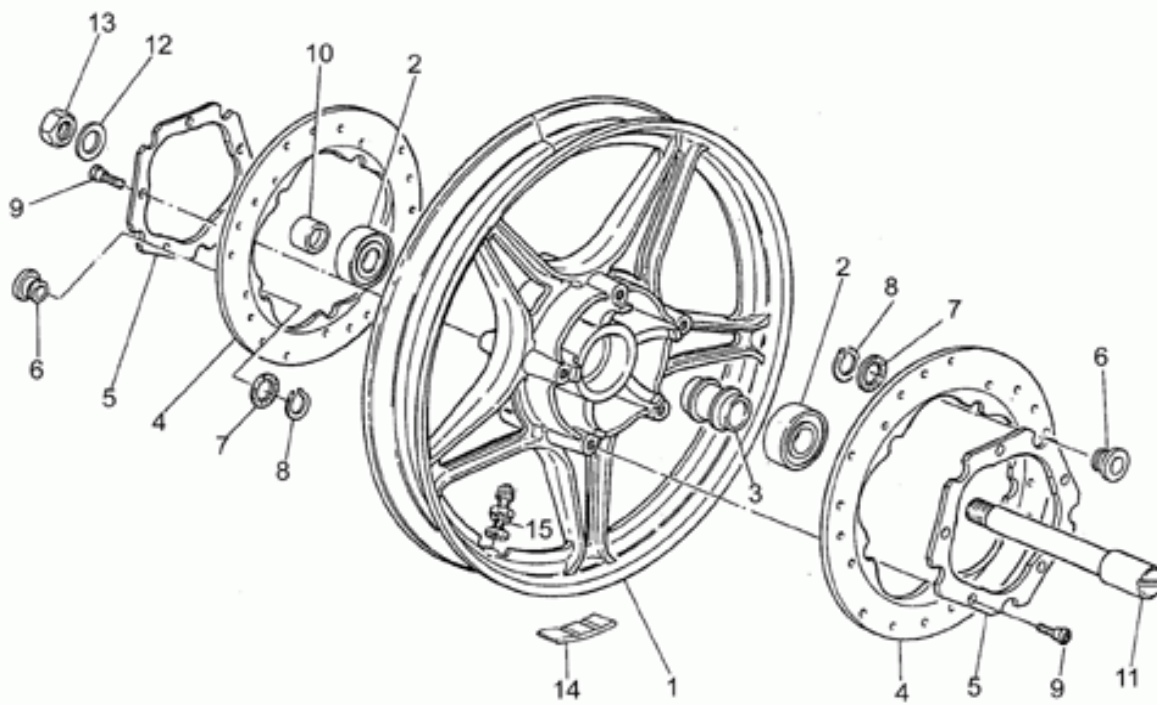
| Ref. | Description | Year | I.M. | Country | Version | Code | Qty |
|------|----------------------------|------|------|---------|---------|----------|-----|
| 1 | Bras d. | - | - | - | - | 17420350 | 1 |
| 2 | Bras g. | - | - | - | - | 17422181 | 2 |
| 3 | Disque | - | - | - | - | 39103500 | 1 |
| 4 | Rondelle | - | - | - | - | 95004208 | 7 |
| 5 | Vis M8X16 | - | - | - | - | 98054416 | 5 |
| 6 | Plaque | - | - | - | - | 14418200 | 1 |
| 7 | Ecrou | - | - | - | - | 92630508 | 3 |
| 9 | Plaque d. | - | - | - | - | 14432900 | 1 |
| 10 | Plaque g. | - | - | - | - | 14433200 | 1 |
| 11 | Ressort | - | - | - | - | 18434060 | 2 |
| 12 | Douille g. | - | - | - | - | 14433500 | 2 |
| 13 | Vis | - | - | - | - | 98052545 | 2 |
| 14 | Rondelle 10,2x18x2 | - | - | - | - | 95004210 | 2 |
| 15 | Rondelle élastique | - | - | - | - | 14433400 | 2 |
| 16 | Ecrou | - | - | - | - | 92630110 | 2 |
| 17 | Béquille centrale | - | - | - | - | 28430345 | 1 |
| | Béquille centrale | - | - | - | CAR | 30430310 | 1 |
| 18 | Pédale en caoutch. | - | - | - | - | 13432640 | 2 |
| 19 | Béquille latérale | - | - | - | - | 30432060 | 1 |
| 20 | Interrupteur embrayage | - | - | - | - | 29759150 | 1 |
| 21 | Tampon | - | - | - | - | 39103400 | 1 |
| 22 | Arrêt | - | - | - | - | 13432741 | 1 |
| 23 | Ecrou | - | - | - | - | 92630110 | 1 |
| 24 | Plaque | - | - | - | - | 18432760 | 1 |
| 25 | Ressort | - | - | - | - | 14434000 | 2 |
| 26 | Bloc | - | - | - | - | 13433440 | 1 |
| 27 | Vis | - | - | - | - | 98052440 | 1 |
| 28 | Vis M8X16 | - | - | - | - | 98054416 | 2 |
| 29 | Rondelle élastique | - | - | - | - | 95021108 | 4 |
| 30 | Couvercle rep-pieds pass.D | - | - | - | - | 28446047 | 1 |
| 31 | Couvercle rep-pieds pass.G | - | - | - | - | 18443680 | 1 |
| 32 | Caoutchouc rep-pieds | - | - | - | - | 14443200 | 2 |
| 34 | Pivot | - | - | - | - | 14429500 | 1 |
| 35 | Rondelle | - | - | - | - | 95000213 | 2 |
| 36 | Ecrou | - | - | - | - | 92602312 | 1 |
| 37 | Vis | - | - | - | - | 14429600 | 1 |
| 38 | Entretoise externe g. | - | - | - | - | 14429900 | 2 |
| 39 | Entretoise | - | - | - | - | 14429800 | 2 |
| 40 | Rondelle | - | - | - | - | 95000213 | 2 |
| 41 | Ecrou | - | - | - | - | 92602312 | 2 |
| 42 | Vis | - | - | - | - | 98623630 | 1 |
| 43 | Vis M12X35 | - | - | - | - | 98623635 | 3 |
| 44 | Rondelle évent. | - | - | - | - | 95021112 | 4 |



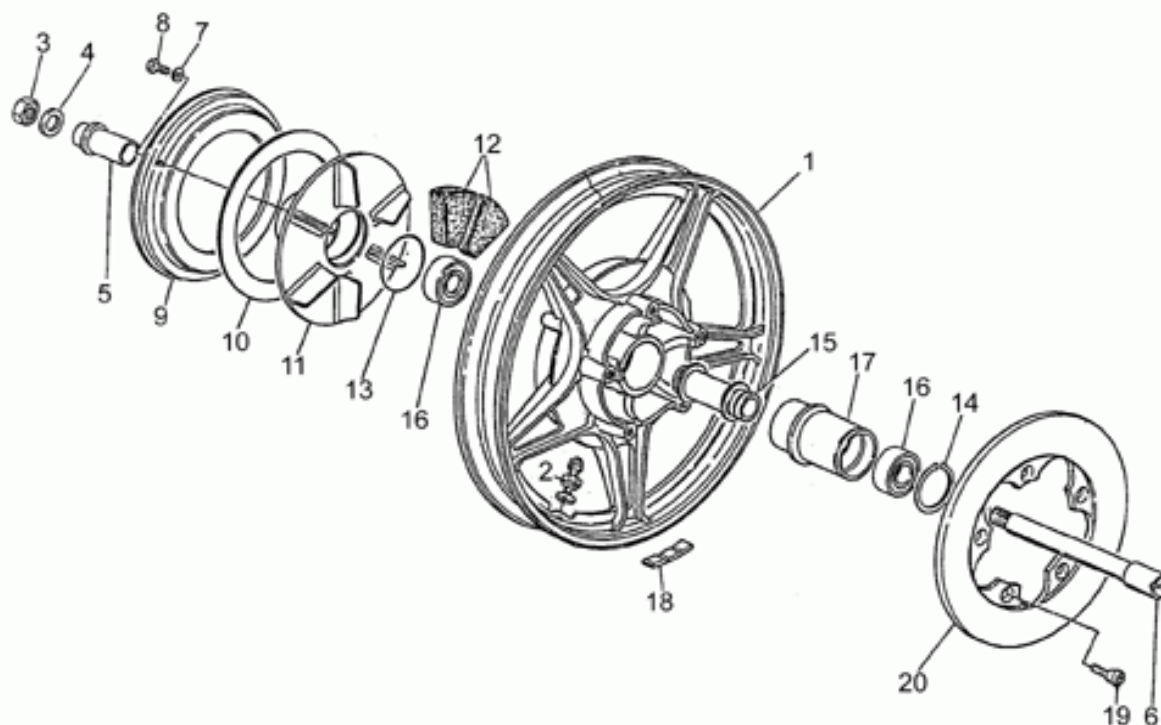
| Ref. | Description | Year | I.M. | Country | Version | Code | Qty |
|------|--------------------|------|------|---------|---------|----------|-----|
| 45 | Ecrou bas M12x1,25 | - | - | - | - | 92602512 | 1 |
| 46 | Ecrou | - | - | - | - | 92602312 | 3 |
| 47 | Ecrou M8X1 | - | - | - | - | 92602508 | 1 |
| 48 | Rondelle élastique | - | - | - | - | 61270300 | 1 |
| 49 | Bride | - | - | - | - | 29433850 | 1 |
| 50 | Vis | - | - | - | - | 98054216 | 1 |
| 51 | Ecrou | - | - | - | - | 92602205 | 1 |
| 52 | Rondelle 10,2x18x2 | - | - | - | - | 95004210 | 1 |
| 53 | Vis M6X16 | - | - | - | - | 98054316 | 1 |
| 54 | Ecrou M6x1 | - | - | - | - | 92630106 | 1 |
| 55 | Rondelle spéciale | - | - | - | - | 61013800 | 1 |
| 56 | Vis | - | - | - | - | 98054418 | 1 |



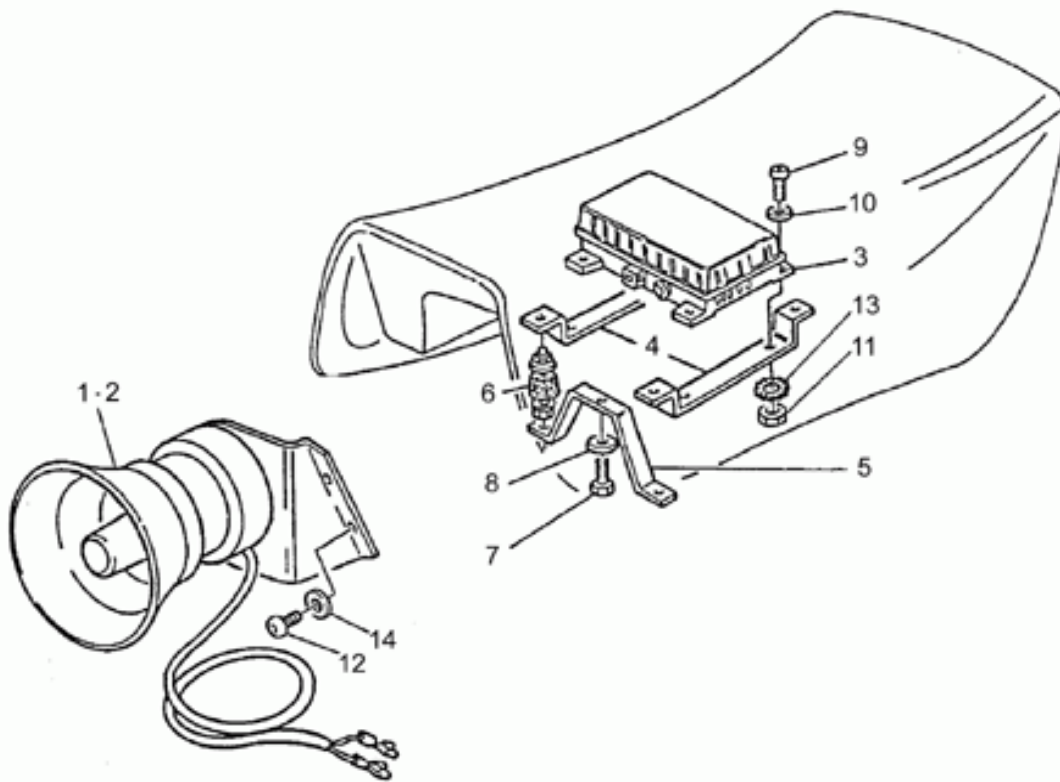
| Ref. | Description | Year | I.M. | Country | Version | Code | Qty |
|------|--------------------------------|------|------|---------|---------|-------------|-----|
| 1 | Pompe frein arrière | - | - | - | - | 30666960 | 1 |
| 2 | Vis | - | - | - | - | 98622345 | 2 |
| 3 | Rondelle | - | - | - | - | 14217901 | 2 |
| 4 | Entretoise | - | - | - | - | 91180718 | 2 |
| 5 | Plaque support | - | - | - | - | 28666748 | 1 |
| 6 | Vis M8X16 | - | - | - | - | 98054416 | 2 |
| 7 | Rondelle | - | - | - | - | 14615901 | 2 |
| 8 | Réserv. huile freins | - | - | - | - | 30665000 | 1 |
| 9 | Couvercle réservoir | - | - | - | - | 30661100 | 1 |
| 10 | Vis | - | - | - | - | 98230616 | 1 |
| 11 | Entretoise | - | - | - | - | 91180607 | 1 |
| 12 | Levier frein | - | - | - | - | 28676548 | 1 |
| 13 | Bague | - | - | - | - | 28252010 | 1 |
| 14 | Caoutchouc | - | - | - | - | 14251001 | 1 |
| 15 | Vis | - | - | - | - | 30252360 | 1 |
| 16 | Rondelle | - | - | - | - | 95100409 | 2 |
| 17 | Capuchon | - | - | - | - | 17093850 | 1 |
| 18 | Ecrou | - | - | - | - | 92701120 | 1 |
| 19 | Joint torique | - | - | - | - | 90706108 | 2 |
| 20 | Vis M6X20 | - | - | - | - | 98054320 | 1 |
| 21 | Ecrou | - | - | - | - | 92602206 | 1 |
| 22 | Goupille | - | - | - | - | 95770265 | 1 |
| 23 | Rondelle | - | - | - | - | 95129110 | 1 |
| 24 | Goupille | - | - | - | - | 95500222 | 2 |
| 25 | Tirant pour boîte vitesse cpl. | - | - | - | - | 28675048 | 1 |
| 26 | Ecrou | - | - | - | - | 92700073 | 1 |
| 27 | Fourchette | - | - | - | - | 95740175 | 1 |
| 28 | Rondelle élastique | - | - | - | - | 95129130 | 1 |
| 29 | Rondelle | - | - | - | - | 95100173 | 1 |
| 30 | Tuyau huile | - | - | - | - | 00823950050 | 1 |
| 31 | Tuyau pompe-répartiteur | - | - | - | - | 28658500 | 1 |
| 32 | Vis spéciale | - | - | - | - | 95990028 | 2 |
| 33 | Joint 1mm | - | - | - | - | 25656100 | 5 |
| 34 | Plaquette de sécurité | - | - | - | - | 95184014 | 1 |
| 35 | Interrupteur | - | - | - | - | 63657000 | 1 |
| 36 | Capuchon | - | - | - | - | 12735100 | 1 |
| 37 | Caoutchouc | - | - | - | - | 91551085 | 1 |
| 38 | Ecrou M6x1 | - | - | - | - | 92630206 | 1 |
| 39 | Collier | - | - | - | - | 19157800 | 2 |
| 40 | Gr.révision raccorde pomp | - | - | - | - | 19659500 | 1 |



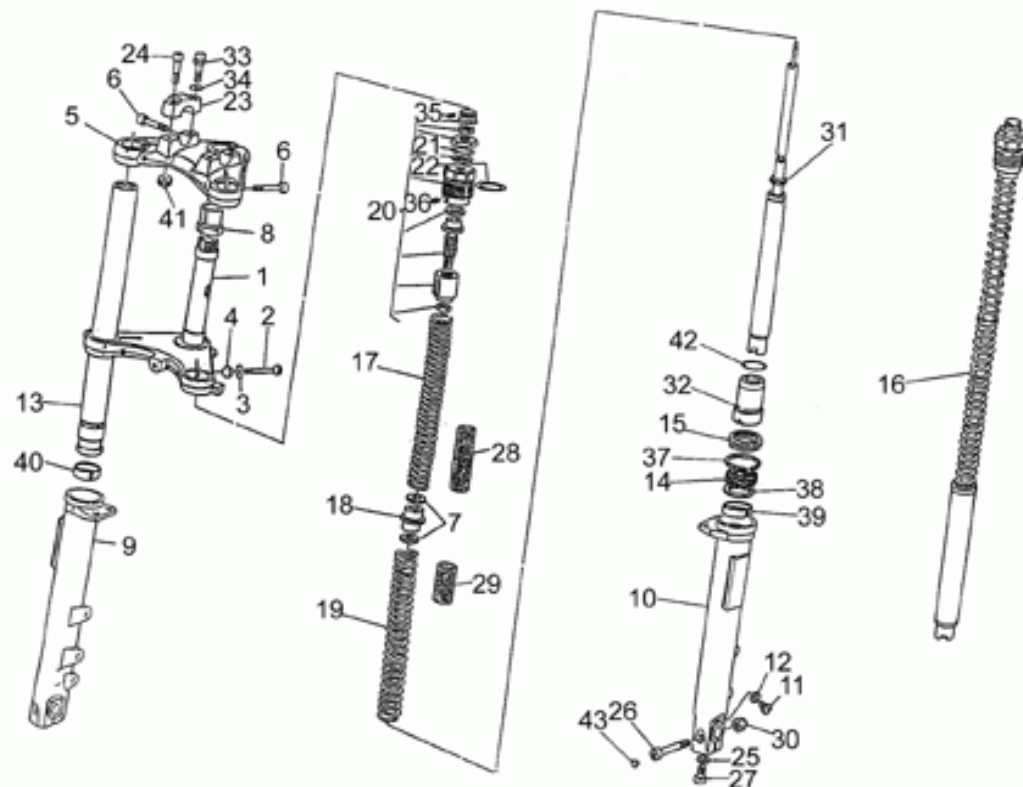
| Ref. | Description | Year | I.M. | Country | Version | Code | Qty |
|------|-------------------------------|------|------|---------|---------|----------|-----|
| 1 | Roue AV.nue grise | - | - | - | - | 28610334 | 1 |
| 2 | Roulement | - | - | - | - | 92204221 | 2 |
| 3 | Entretoise interne roulements | - | - | - | - | 17615360 | 1 |
| 4 | Disque frein avant | - | - | - | - | 30613660 | 2 |
| 5 | Bride | - | - | - | - | 30613760 | 2 |
| 6 | Bague | - | - | - | - | 28613560 | 10 |
| 7 | Ressort à godet | - | - | - | - | 28618860 | 10 |
| 8 | Bague seeger | - | - | - | - | 90271022 | 10 |
| 9 | Vis | - | - | - | - | 30611460 | 10 |
| 10 | Entretoise | - | - | - | - | 17616360 | 1 |
| 11 | Axe de roue AV | - | - | - | - | 17614160 | 1 |
| 12 | Rondelle 17X27X2 | - | - | - | - | 95004217 | 1 |
| 13 | Ecrou M16X1,5 | - | - | - | - | 92602516 | 1 |
| 14 | Contrepoids | - | - | - | - | 14616150 | 1 |
| 15 | Soupape air | - | - | - | - | 28617760 | 1 |



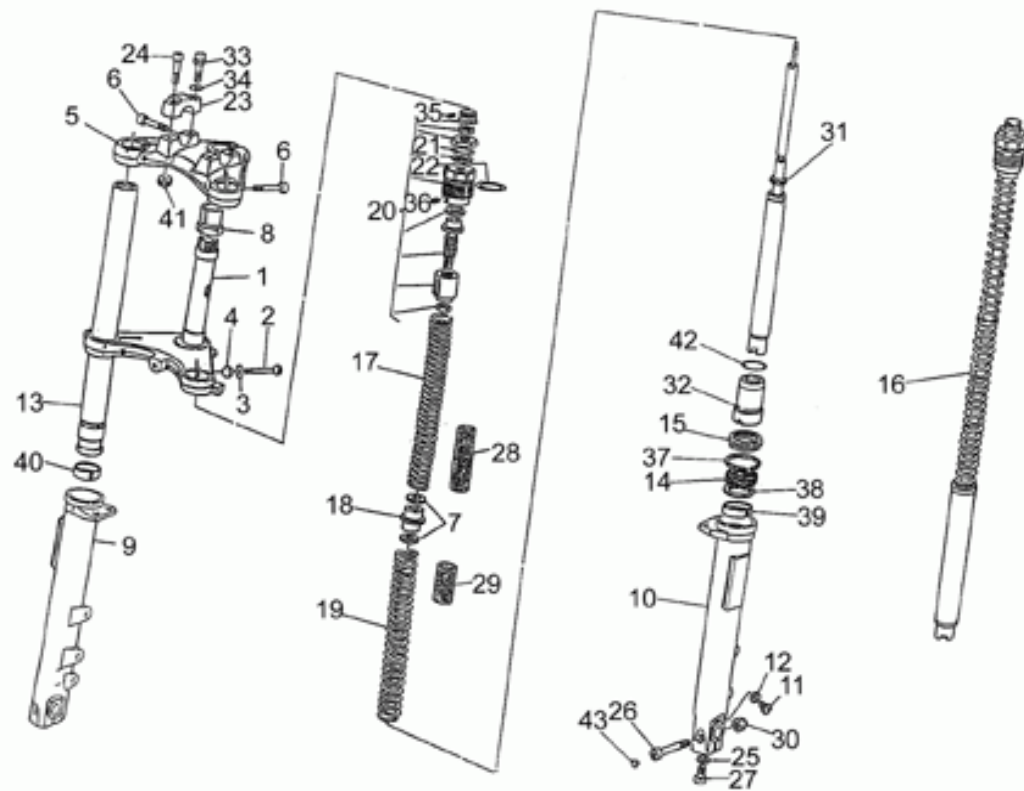
| Ref. | Description | Year | I.M. | Country | Version | Code | Qty |
|------|-------------------------------|------|------|---------|---------|----------|-----|
| 1 | Roue arrière | - | - | - | - | 28630642 | 1 |
| 2 | Soupape air | - | - | - | - | 28617760 | 1 |
| 3 | Ecrou | - | - | - | - | 92602316 | 1 |
| 4 | Rondelle | - | - | - | - | 14634400 | 1 |
| 5 | Entretoise | - | - | - | - | 17634150 | 1 |
| 6 | Axe de roue AR | - | - | - | - | 28633300 | 1 |
| 7 | Rondelle élastique | - | - | - | - | 61270300 | 3 |
| 8 | Vis M6X20 | - | - | - | - | 98054320 | 3 |
| 9 | Bride | - | - | - | - | 14335650 | 1 |
| 10 | Bague | - | - | - | - | 14335350 | 1 |
| 11 | Disque piece en caoutchouc | - | - | - | - | 14335203 | 1 |
| 12 | Joint flexible | - | - | - | - | 01336800 | 12 |
| 13 | Joint torique | - | - | - | - | 90706490 | 1 |
| 14 | Bague seeger | - | - | - | - | 90271055 | 1 |
| 15 | Entretoise interne roulements | - | - | - | - | 14634050 | 1 |
| 16 | Roulement | - | - | - | - | 92204220 | 2 |
| 17 | Moyeu | - | - | - | - | 14632250 | 1 |
| 18 | Contrepoids | - | - | - | - | 14616150 | 2 |
| 19 | Vis | - | - | - | - | 30611460 | 5 |
| 20 | Disque frein | - | - | - | - | 28635748 | 1 |



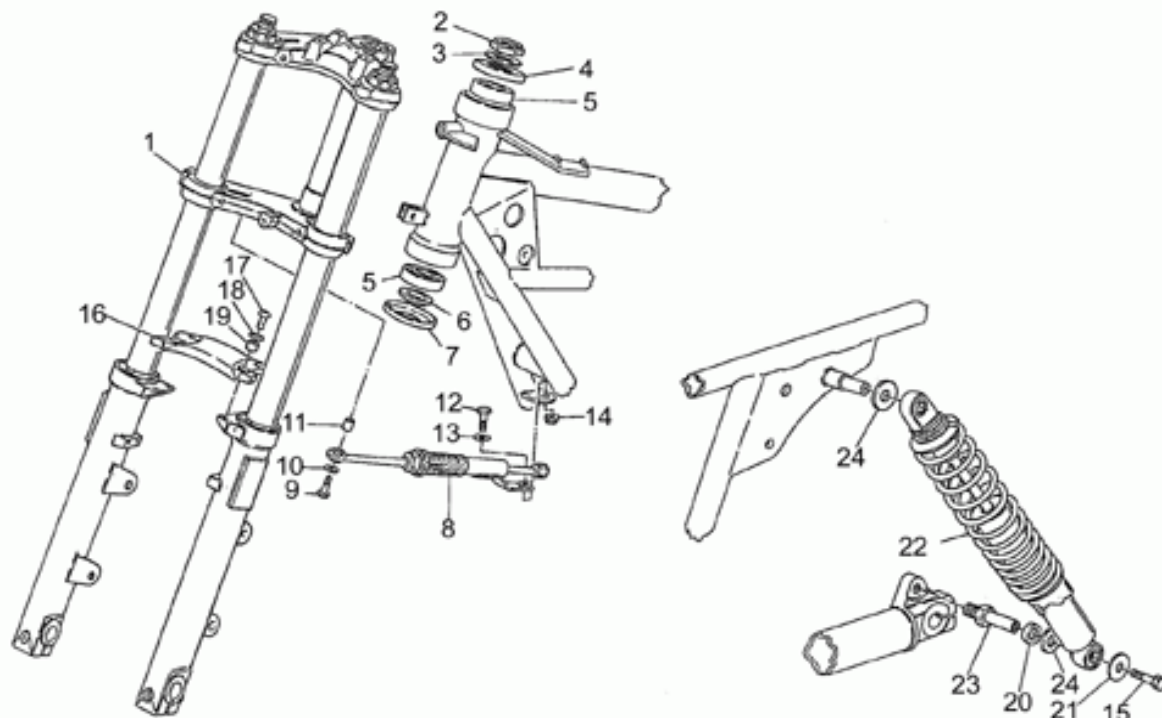
| Ref. | Description | Year | I.M. | Country | Version | Code | Qty |
|------|-----------------------|------|------|---------|---------|----------|-----|
| 1 | RH siren cpl. dx | - | - | - | - | 28743645 | 1 |
| 2 | LH siren cpl. sx | - | - | - | - | 28743646 | 1 |
| 3 | Centrale électronique | - | - | - | - | 28737680 | 1 |
| 4 | Support | - | - | - | - | 28737880 | 2 |
| 5 | Cavalier | - | - | - | - | 28736780 | 2 |
| 6 | Silentbloc | - | - | - | - | 17737983 | 4 |
| 7 | Vis | - | - | - | - | 98054212 | 2 |
| 8 | Rondelle 5,25x14x1,5 | - | - | - | - | 95100059 | 2 |
| 9 | Vis | - | - | - | - | 98200412 | 4 |
| 10 | Rondelle | - | - | - | - | 95000204 | 4 |
| 11 | Ecrou | - | - | - | - | 92601004 | 4 |
| 12 | Vis | - | - | - | - | 98230816 | 4 |
| 13 | Rondelle | - | - | - | - | 95021104 | 4 |
| 14 | Rondelle élastique | - | - | - | - | 61270300 | 4 |



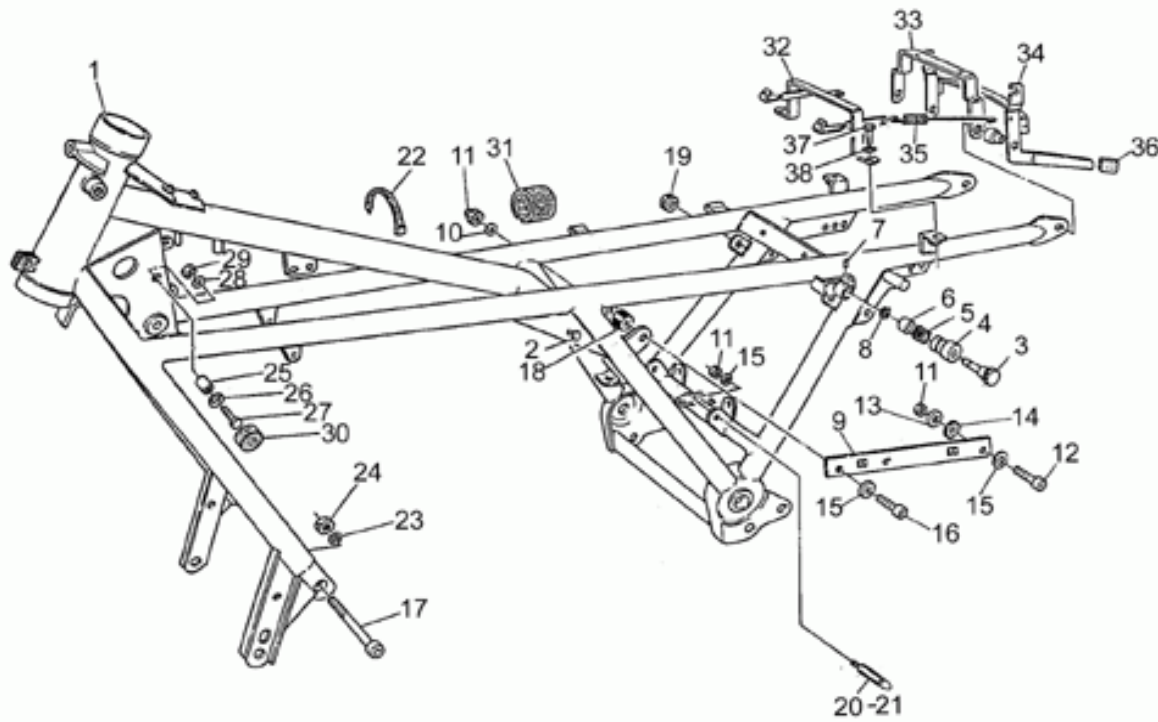
| Ref. | Description | Year | I.M. | Country | Version | Code | Qty |
|------|----------------------------|------|------|---------|---------|----------|-----|
| 1 | Plaque inf. | - | - | - | - | 30494010 | 1 |
| 2 | Vis | - | - | - | - | 98620560 | 2 |
| 3 | Rondelle 10,2x18x2 | - | - | - | - | 95004210 | 2 |
| 4 | Entretoise | - | - | - | - | 91181110 | 2 |
| 5 | Plaque sup. fourche | - | - | - | - | 30493110 | 1 |
| 6 | Vis M10X40 | - | - | - | - | 98620540 | 3 |
| 7 | Rondelle 17X27X2 | - | - | - | - | 95004217 | 4 |
| 8 | Douille bloc. direction | - | - | - | - | 18516660 | 1 |
| 9 | Fourreau D | - | - | - | blue | 28522523 | 1 |
| | Fourreau D | - | - | - | grey | 28522522 | 1 |
| | Fourreau D | - | - | - | l.blu | 28522548 | 1 |
| 10 | Fourreau G | - | - | - | blue | 28522623 | 1 |
| | Fourreau G | - | - | - | grey | 28522622 | 1 |
| | Fourreau G | - | - | - | l.blu | 28522648 | 1 |
| 11 | Vis M6X16 | - | - | - | - | 98622316 | 2 |
| 12 | Rondelle | - | - | - | - | 95100116 | 2 |
| 13 | Tige | - | - | - | - | 30525461 | 2 |
| 14 | Bague d'étanchéité | - | - | - | - | 30532861 | 2 |
| 15 | Pare-poussière | - | - | - | - | 29524550 | 2 |
| 16 | Amortisseur AV | - | - | - | - | 29525360 | 2 |
| 17 | Ressort | - | - | - | - | 29526960 | 2 |
| 18 | Bague | - | - | - | - | 29527960 | 2 |
| 19 | Contre-ressort | - | - | - | - | 29526650 | 2 |
| 20 | Kit réglage | - | - | - | - | 28999590 | 2 |
| 21 | Joint torique | - | - | - | - | 90706235 | 2 |
| 22 | Bague d'étanchéité | - | - | - | - | 90706282 | 2 |
| 23 | Collier | - | - | - | - | 17500200 | 2 |
| 24 | Vis M8X35 | - | - | - | - | 98620435 | 2 |
| 25 | Garniture | - | - | - | - | 10528900 | 2 |
| 26 | Vis | - | - | - | - | 98620545 | 2 |
| 27 | Vis 25mm | - | - | - | - | 98622525 | 2 |
| 28 | Tuyau anti-frottement sup. | - | - | - | - | 29526360 | 1 |
| 29 | Tuyau anti-frottement inf. | - | - | - | - | 29526361 | 1 |
| 30 | Ecrou | - | - | - | - | 92602210 | 2 |
| 31 | Rondelle nylon | - | - | - | - | 28526590 | 2 |
| 32 | Tampon | - | - | - | - | 28527633 | 2 |
| 33 | Goujon | - | - | - | - | 28500745 | 2 |
| 34 | Rondelle | - | - | - | - | 95004208 | 4 |
| 35 | Goujon | - | - | - | - | 98450108 | 1 |
| 36 | Goujon | - | - | - | - | 98470206 | 1 |
| 37 | Bague de butée | - | - | - | - | 30526261 | 2 |
| 38 | Entretoise | - | - | - | - | 30528161 | 2 |
| 39 | Douille supérieure | - | - | - | - | 30526761 | 2 |



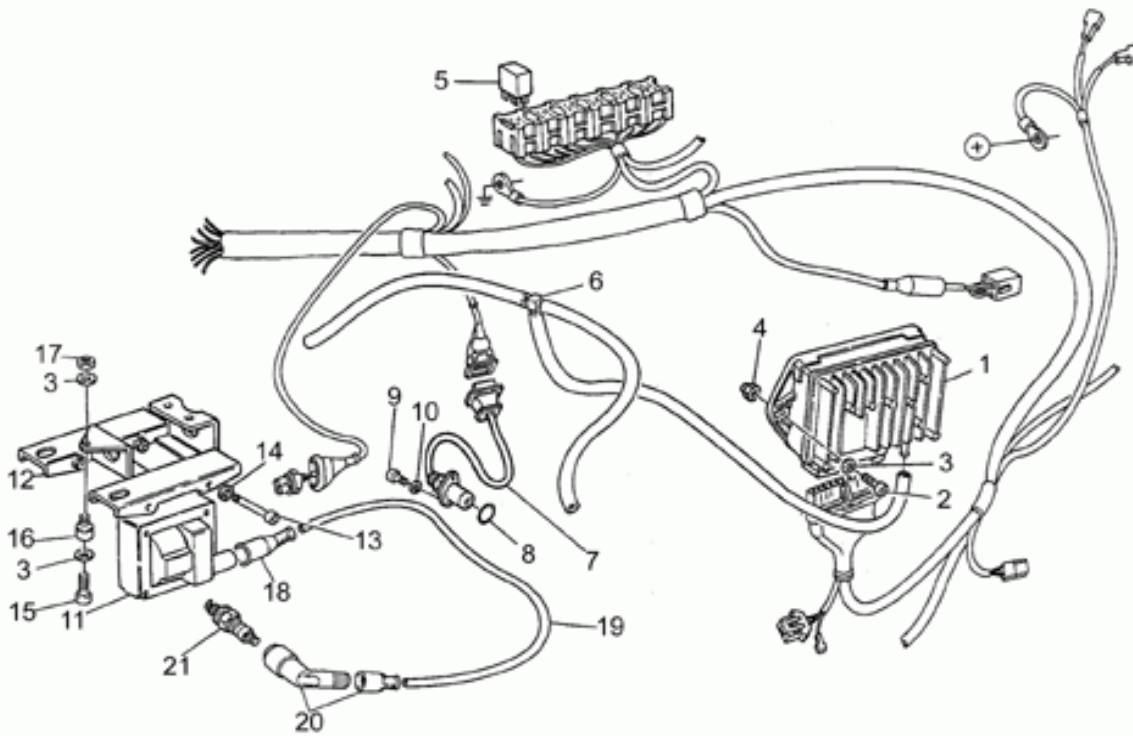
| Ref. | Description | Year | I.M. | Country | Version | Code | Qty |
|------|--------------------|------|------|---------|---------|----------|-----|
| 40 | Douille inférieure | - | - | - | - | 30525861 | 2 |
| 41 | Ecrou | - | - | - | - | 92630108 | 2 |
| 42 | Joint torique | - | - | - | - | 90706298 | 2 |
| 43 | Bouchon | - | - | - | - | 23943510 | 2 |



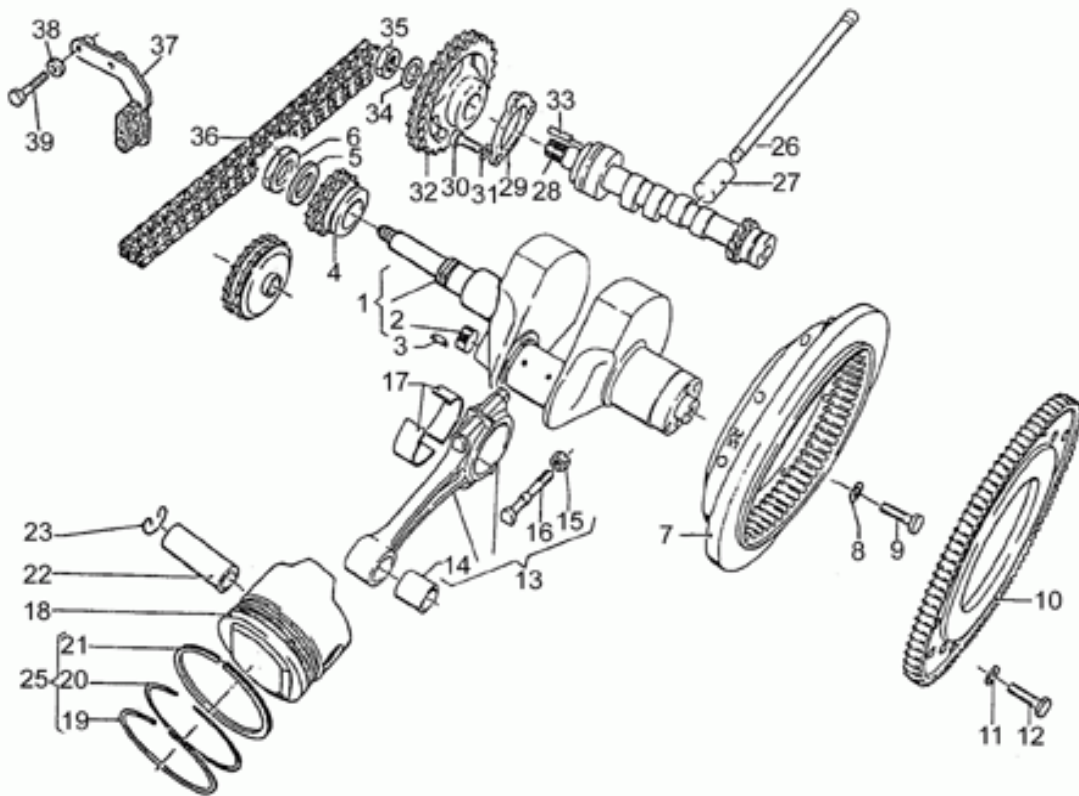
| Ref. | Description | Year | I.M. | Country | Version | Code | Qty |
|------|---------------------------|------|------|---------|---------|----------|-----|
| 1 | Fourche Av. | - | - | - | blue | 28490223 | 1 |
| | Fourche Av. | - | - | - | grey | 28490222 | 1 |
| | Fourche Av. | - | - | - | l.blu | 28490249 | 1 |
| 2 | Bouchon tube | - | - | - | - | 18513460 | 1 |
| 3 | Rondelle bouchon fourreau | - | - | - | - | 18513560 | 1 |
| 4 | Rondelle | - | - | - | - | 14494600 | 1 |
| 5 | Roulement roul.con. | - | - | - | - | 92249225 | 2 |
| 6 | Rondelle d'appui | - | - | - | - | 14516700 | 1 |
| 7 | Pare-poussière | - | - | - | - | 14517000 | 1 |
| 8 | Amortisseur de direction | - | - | - | - | 17530260 | 1 |
| 9 | Vis | - | - | - | - | 98052330 | 1 |
| 10 | Rondelle 6,5x20x2 | - | - | - | - | 95100141 | 1 |
| 11 | Entretoise | - | - | - | - | 91180605 | 1 |
| 12 | Vis M6X20 | - | - | - | - | 98054320 | 1 |
| 13 | Rondelle | - | - | - | - | 95000206 | 1 |
| 14 | Ecrou M6x1 | - | - | - | - | 92630206 | 1 |
| 15 | Vis | - | - | - | - | 98074416 | 2 |
| 16 | Plaque de stabilisation | - | - | - | bl/wh | 28436647 | 1 |
| | Plaque de stabilisation | - | - | - | blue | 28436682 | 1 |
| | Plaque de stabilisation | - | - | - | grey | 28436646 | 1 |
| 17 | Vis | - | - | - | - | 98230816 | 4 |
| 18 | Joint torique | - | - | - | - | 90706092 | 8 |
| 19 | Douille | - | - | - | - | 29436450 | 4 |
| 20 | Entretoise | - | - | - | - | 91180804 | 2 |
| 21 | Rondelle | - | - | - | - | 95100239 | 2 |
| 22 | Amortisseur | - | - | - | - | 28550263 | 2 |
| | Amortisseur bitubo | - | - | - | - | 28999249 | 1 |
| 23 | Pivot | - | - | - | - | 29541850 | 1 |
| 24 | Rondelle | - | - | - | - | 95100535 | 4 |



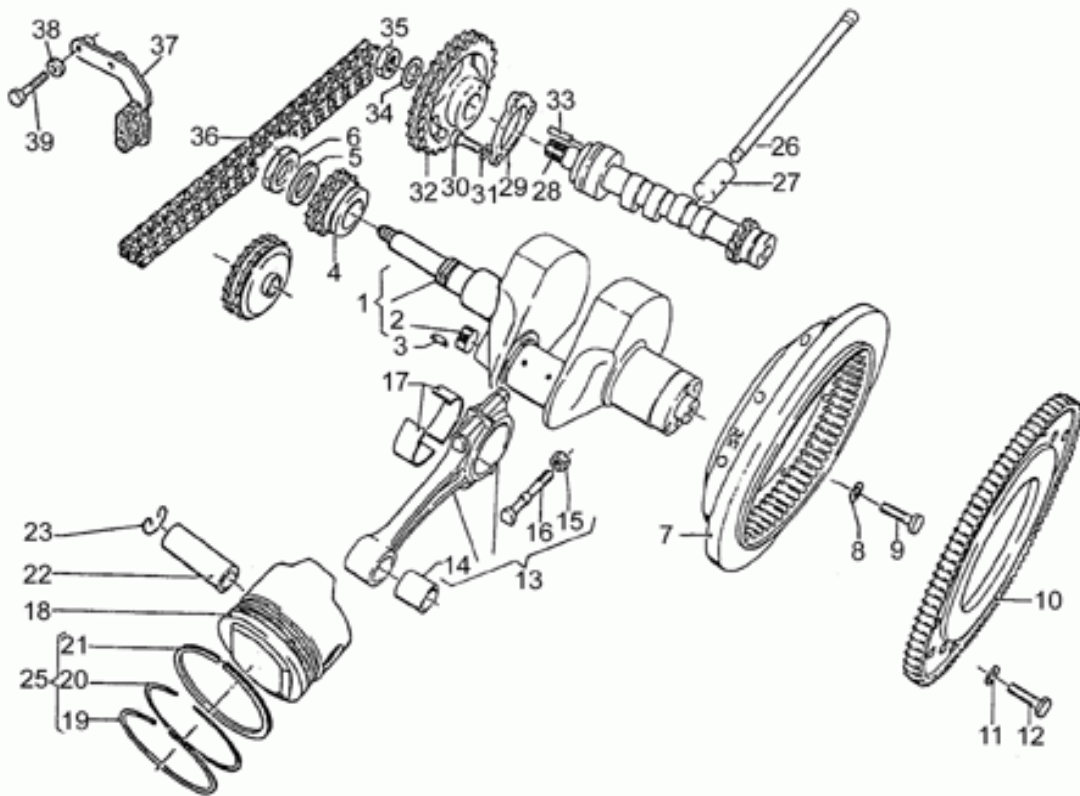
| Ref. | Description | Year | I.M. | Country | Version | Code | Qty |
|------|-----------------------|------|------|---------|---------|----------|-----|
| 1 | Chassis | - | - | - | - | 28400149 | 1 |
| 2 | Bouchon | - | - | - | - | 93180080 | 4 |
| 3 | Poignée | - | - | - | - | 28463045 | 1 |
| 4 | Douille | - | - | - | - | 28462945 | 1 |
| 5 | Ressort | - | - | - | - | 94321119 | 1 |
| 6 | Entretoise | - | - | - | - | 28462645 | 1 |
| 7 | Tige filetée | - | - | - | - | 35782880 | 1 |
| 8 | Bague de butée | - | - | - | - | 90280006 | 1 |
| 9 | Plaque supp.bobine | - | - | - | - | 17424150 | 1 |
| 10 | Rondelle | - | - | - | - | 95100121 | 1 |
| 11 | Ecroû M6x1 | - | - | - | - | 92630106 | 4 |
| 12 | Vis | - | - | - | - | 98622320 | 1 |
| 13 | Rondelle 6,5x20x2 | - | - | - | - | 95100141 | 1 |
| 14 | Caoutchouc | - | - | - | - | 93110060 | 1 |
| 15 | Rondelle | - | - | - | - | 95000206 | 4 |
| 16 | Vis M6X25 | - | - | - | - | 98622325 | 1 |
| 17 | Vis M12X50 | - | - | - | - | 98621650 | 2 |
| 18 | Tampon | - | - | - | - | 14103800 | 1 |
| 19 | Caoutchouc | - | - | - | - | 91551082 | 4 |
| 20 | Pivot g. | - | - | - | - | 17478550 | 1 |
| 21 | Pivot d. | - | - | - | - | 28478548 | 1 |
| 22 | Collier | - | - | - | - | 14609650 | 4 |
| 23 | Rondelle évent. | - | - | - | - | 95021112 | 2 |
| 24 | Ecroû | - | - | - | - | 92602312 | 2 |
| 25 | Entretoise | - | - | - | - | 91180613 | 2 |
| 26 | Disque | - | - | - | - | 39103500 | 2 |
| 27 | Vis | - | - | - | - | 98052325 | 2 |
| 28 | Rondelle 6,15x11x0,8 | - | - | - | - | 95004206 | 2 |
| 29 | Ecroû M6x1 | - | - | - | - | 92630106 | 2 |
| 30 | Tampon | - | - | - | - | 39103400 | 2 |
| 31 | Tampon | - | - | - | - | 28109040 | 2 |
| 32 | Support radio | - | - | - | - | 28463545 | 1 |
| 33 | Support radio | - | - | - | - | 23463690 | 1 |
| 34 | Dispositif décrochage | - | - | - | - | 28478845 | 1 |
| 35 | Ressort | - | - | - | - | 19434000 | 2 |
| 36 | Caoutchouc | - | - | - | - | 14461400 | 1 |
| 37 | Vis | - | - | - | - | 98054318 | 2 |
| 38 | Rondelle 6,15x11x0,8 | - | - | - | - | 95004206 | 2 |



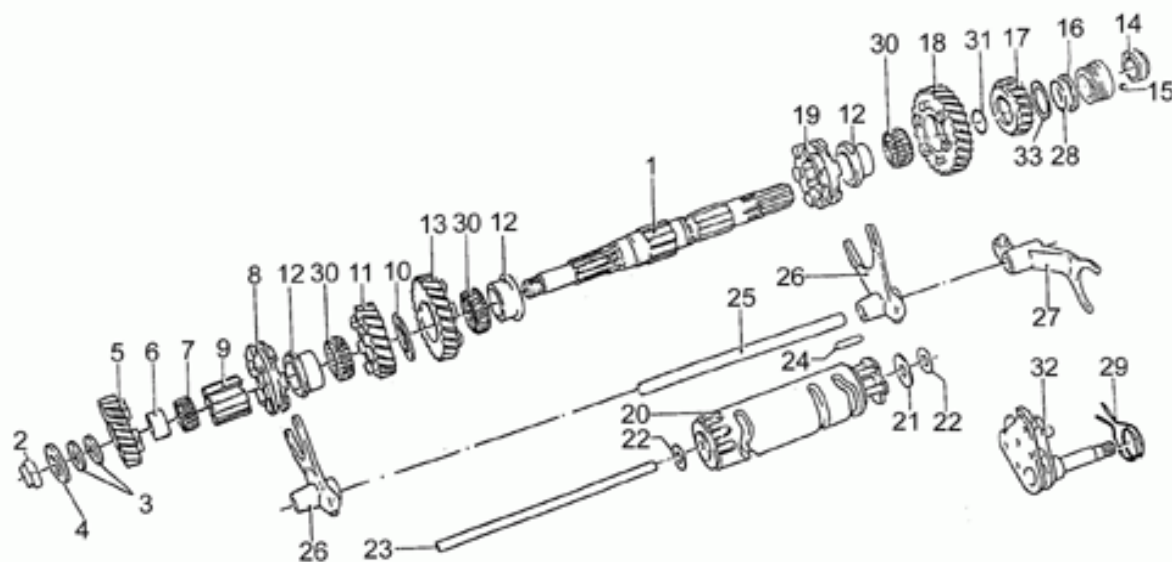
| Ref. | Description | Year | I.M. | Country | Version | Code | Qty |
|------|---------------------------|------|------|---------|---------|----------|-----|
| 1 | Centrale MED 446A | - | - | - | - | 29721450 | 1 |
| 2 | Vis M6X18 | - | - | - | - | 98622318 | 2 |
| 3 | Rondelle spéciale | - | - | - | - | 61013800 | 6 |
| 4 | Ecrou M6x1 | - | - | - | - | 92630206 | 2 |
| 5 | Relais Siemens A302/B1008 | - | - | - | - | 30732560 | 1 |
| 6 | Tuyau | - | - | - | T1 | 30108160 | 1 |
| | Tuyau | - | - | - | T2 | 28108147 | 1 |
| 7 | Capteur phase et tours | - | - | - | - | 29721660 | 1 |
| 8 | Joint torique | - | - | - | - | 90706141 | 1 |
| 9 | Vis M5X10 | - | - | - | - | 98622210 | 2 |
| 10 | Rondelle | - | - | - | - | 95004205 | 2 |
| 11 | Bobine HT | - | - | - | - | 30716500 | 2 |
| 12 | Support bobine | - | - | - | - | 28716748 | 1 |
| 13 | Vis | - | - | - | - | 98622125 | 4 |
| 14 | Rondelle | - | - | - | - | 95021104 | 4 |
| 15 | Vis | - | - | - | - | 98612312 | 3 |
| 16 | Silentbloc | - | - | - | - | 93222020 | 3 |
| 17 | Ecrou | - | - | - | - | 92602206 | 3 |
| 18 | Capuchon | - | - | - | - | 14717600 | 2 |
| 19 | Câble haute tension | - | - | - | - | 17718350 | 2 |
| 20 | Pipe bougie NGK | - | - | - | - | 30717410 | 2 |
| 21 | Bougie NGK BPR6ES | - | - | - | - | 30717061 | 2 |



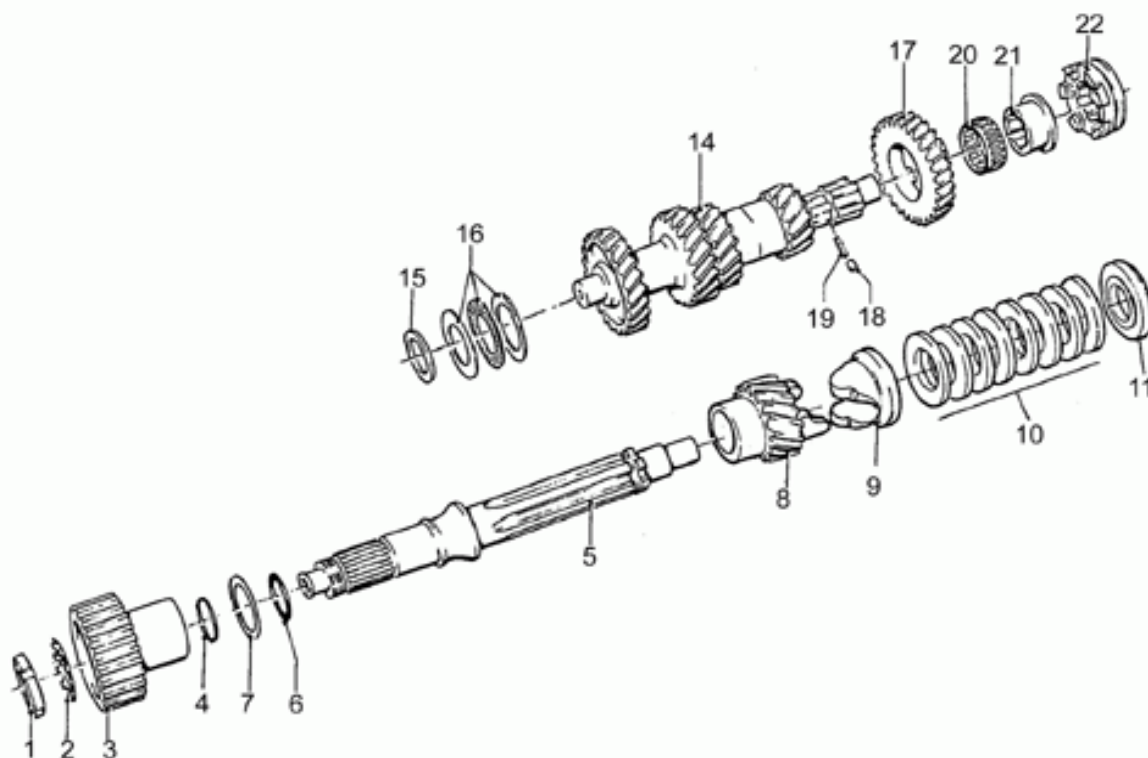
| Ref. | Description | Year | I.M. | Country | Version | Code | Qty |
|------|------------------------|------|------|---------|---------|----------|-----|
| 1 | Arbre moteur | - | - | - | M1 | 29064161 | 1 |
| | Arbre moteur | - | - | - | M2 | 28064149 | 1 |
| 2 | Bouchon | - | - | - | - | 12065400 | 1 |
| 3 | Clavette | - | - | - | - | 91702355 | 1 |
| 4 | Pignon | - | - | - | - | 14072001 | 1 |
| 5 | Rondelle | - | - | - | - | 95100837 | 1 |
| 6 | Ecrou | - | - | - | - | 92602525 | 1 |
| 7 | Volant | - | - | - | - | 29067040 | 1 |
| 8 | Rondelle | - | - | - | - | 14615901 | 6 |
| 9 | Vis | - | - | - | - | 12067701 | 6 |
| 10 | Couronne | - | - | - | - | 17067900 | 1 |
| 11 | Rondelle | - | - | - | - | 14615901 | 8 |
| 12 | Vis M8X20 | - | - | - | - | 98054420 | 8 |
| 13 | Bielle | - | - | - | M1 | 30061500 | 2 |
| | Bielle | - | - | - | M2 | 01061530 | 2 |
| 14 | Bague | - | - | - | - | 91112128 | 2 |
| 15 | Ecrou autobloqu. | - | - | - | - | 92731090 | 4 |
| 16 | Vis | - | - | - | M1 | 30062200 | 4 |
| | Vis bielle | - | - | - | M2 | 37062206 | 4 |
| 17 | Demi-coussinet 0,254mm | - | - | - | M | 30062001 | 4 |
| | Demi-coussinet 0,508mm | - | - | - | M | 30062002 | 4 |
| | Demi-coussinet 0,762mm | - | - | - | M | 30062003 | 4 |
| | Demi-coussinet | - | - | - | std | 30062000 | 4 |
| 18 | Piston | - | - | - | - | 28060248 | 2 |
| 19 | Segment sup. | - | - | - | - | 14060705 | 2 |
| 20 | Segment int. | - | - | - | - | 17060900 | 2 |
| 21 | Segm.racleur d'huile | - | - | - | - | 17061000 | 2 |
| 22 | Axe | - | - | - | - | 13061260 | 2 |
| 23 | Bague de butée | - | - | - | - | 27061385 | 4 |
| 25 | Série segments | - | - | - | - | 14060655 | 2 |
| 26 | Culbuteur tige | - | - | - | - | 37045006 | 4 |
| 27 | Poussoir | - | - | - | std | 17045860 | 4 |
| 28 | Arbre à cames | - | - | - | - | 29053350 | 1 |
| 29 | Bride | - | - | - | - | 12054000 | 1 |
| 30 | Vis M6X20 | - | - | - | - | 98054320 | 3 |
| 31 | Rondelle | - | - | - | - | 95120065 | 3 |
| 32 | Engrenage distribution | - | - | - | - | 13054502 | 1 |
| 33 | Goupille | - | - | - | - | 14234600 | 1 |
| 34 | Rondelle élastique | - | - | - | - | 14433400 | 1 |
| 35 | Ecrou M18X1,5 | - | - | - | - | 92602518 | 1 |
| 36 | Chaîne | - | - | - | - | 28058060 | 1 |
| 37 | Tendeur de chaîne | - | - | - | - | 30057810 | 1 |
| 38 | Rondelle élastique | - | - | - | - | 61270300 | 2 |



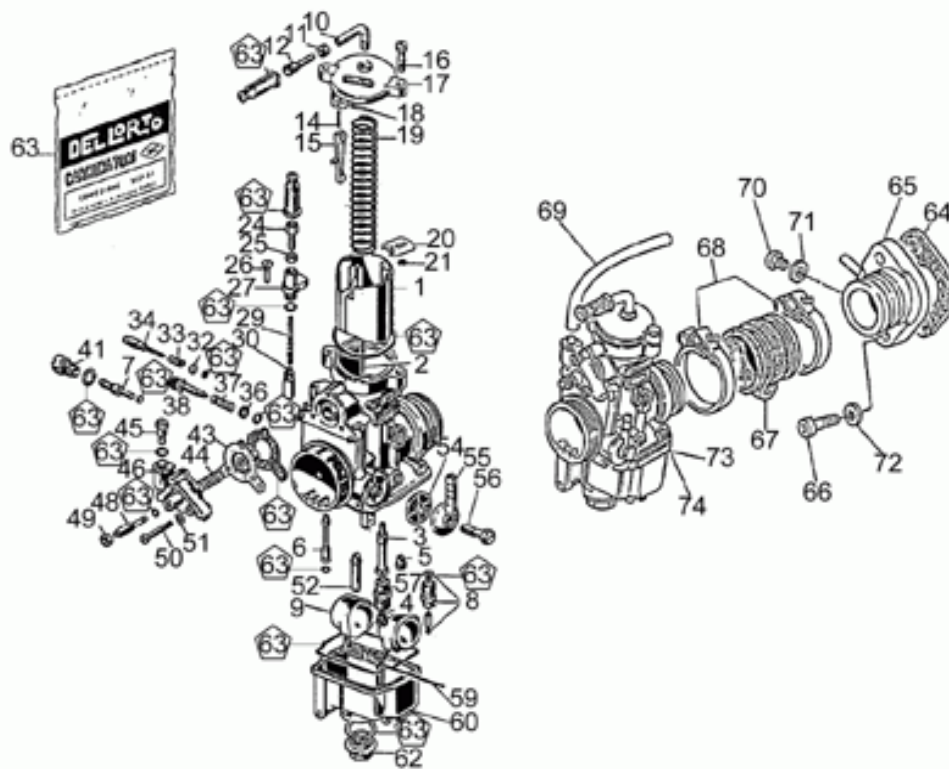
| Ref. | Description | Year | I.M. | Country | Version | Code | Qty |
|------|-------------|------|------|---------|---------|----------|-----|
| 39 | Vis M8X35 | - | - | - | - | 98052435 | 2 |



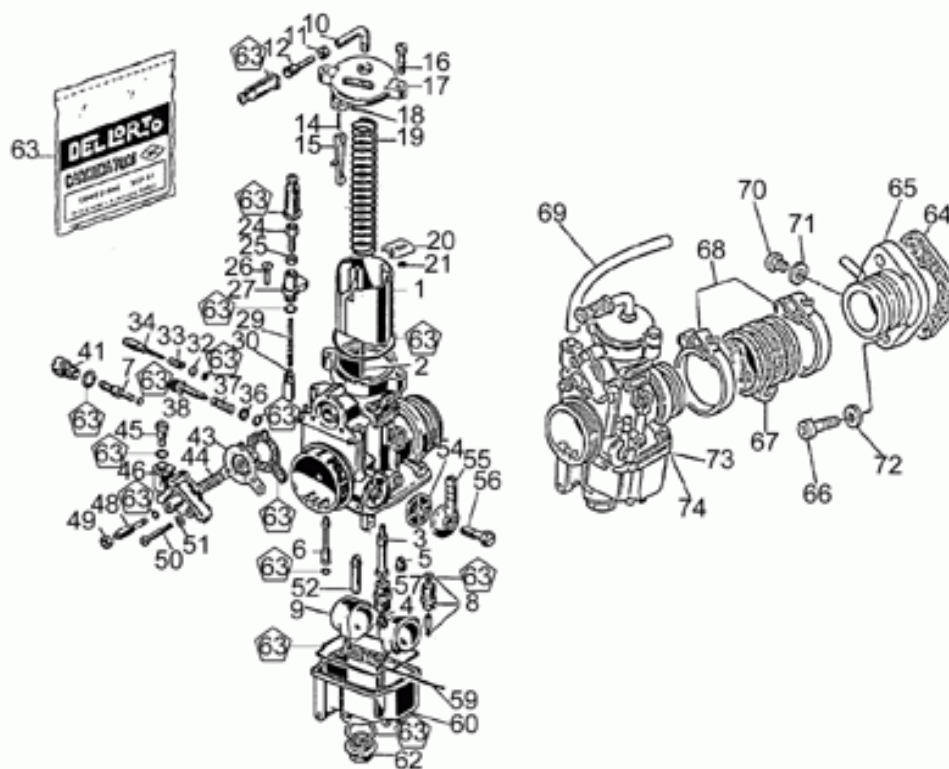
| Ref. | Description | Year | I.M. | Country | Version | Code | Qty |
|------|-----------------------------|------|------|---------|---------|----------|-----|
| 1 | Arbre secondaire | - | - | - | - | 14213612 | 1 |
| 2 | Ecrou | - | - | - | - | 14217410 | 1 |
| 3 | Rondelle ajustem. | - | - | - | - | 43083810 | 2 |
| 4 | Rondelle d'appui | - | - | - | - | 14215400 | 1 |
| 5 | Engrenage 4e Z=20 | - | - | - | - | 14215110 | 1 |
| 6 | Bague 4a | - | - | - | - | 92259017 | 1 |
| 7 | Cage à rouleaux 4a A.S. | - | - | - | - | 92251022 | 1 |
| 8 | Manchon coul.3e-4e | - | - | - | - | 14231012 | 1 |
| 9 | Manchon | - | - | - | - | 14232512 | 1 |
| 10 | Rondelle | - | - | - | - | 14218011 | 1 |
| 11 | Engrenage 3e Z=22 | - | - | - | - | 14214810 | 1 |
| 12 | Douille 1a-2a-3a AS | - | - | - | - | 14213001 | 3 |
| 13 | Engrenage 2e Z=25 | - | - | - | - | 14214510 | 1 |
| 14 | Ecrou | - | - | - | - | 14219310 | 1 |
| 15 | Bille | - | - | - | - | 92295702 | 1 |
| 16 | Rondelle | - | - | - | - | 14217300 | 1 |
| 17 | Engrenage 5a AS Z=21 | - | - | - | - | 14215213 | 1 |
| 18 | Engrenage 1e Z=28 | - | - | - | - | 14214210 | 1 |
| 19 | Manchon coul.1e-2e | - | - | - | - | 14230711 | 1 |
| 20 | Desmodromique | - | - | - | - | 14234405 | 1 |
| 21 | Rondelle | - | - | - | - | 14235500 | 1 |
| 22 | Rondelle ajustem. 0,6 mm | - | - | - | - | 55235000 | 3 |
| | Rondelle ajustem. 0,8 mm | - | - | - | - | 55235001 | 3 |
| | Rondelle ajustem. 1 mm | - | - | - | - | 55235002 | 3 |
| | Rondelle ajustem. 1,2 mm | - | - | - | - | 55235003 | 3 |
| 23 | Tige | - | - | - | - | 14234300 | 1 |
| 24 | Goupille | - | - | - | - | 14234600 | 4 |
| 25 | Tige | - | - | - | - | 14232400 | 1 |
| 26 | Fourchette 1a-2a-3a-4a | - | - | - | - | 14230501 | 2 |
| 27 | Fourchette 5a | - | - | - | - | 14231201 | 1 |
| 28 | Joint torique | - | - | - | - | 90706219 | 1 |
| 29 | Ressort | - | - | - | - | 28238261 | 1 |
| 30 | Cage à rouleaux | - | - | - | - | 92251030 | 3 |
| 31 | Joint torique 20,24x2,62 | - | - | - | - | 90706203 | 1 |
| 32 | Preselecteur complet | - | - | - | - | 28236260 | 1 |
| 33 | Rondelle | - | - | - | - | 28217350 | 1 |



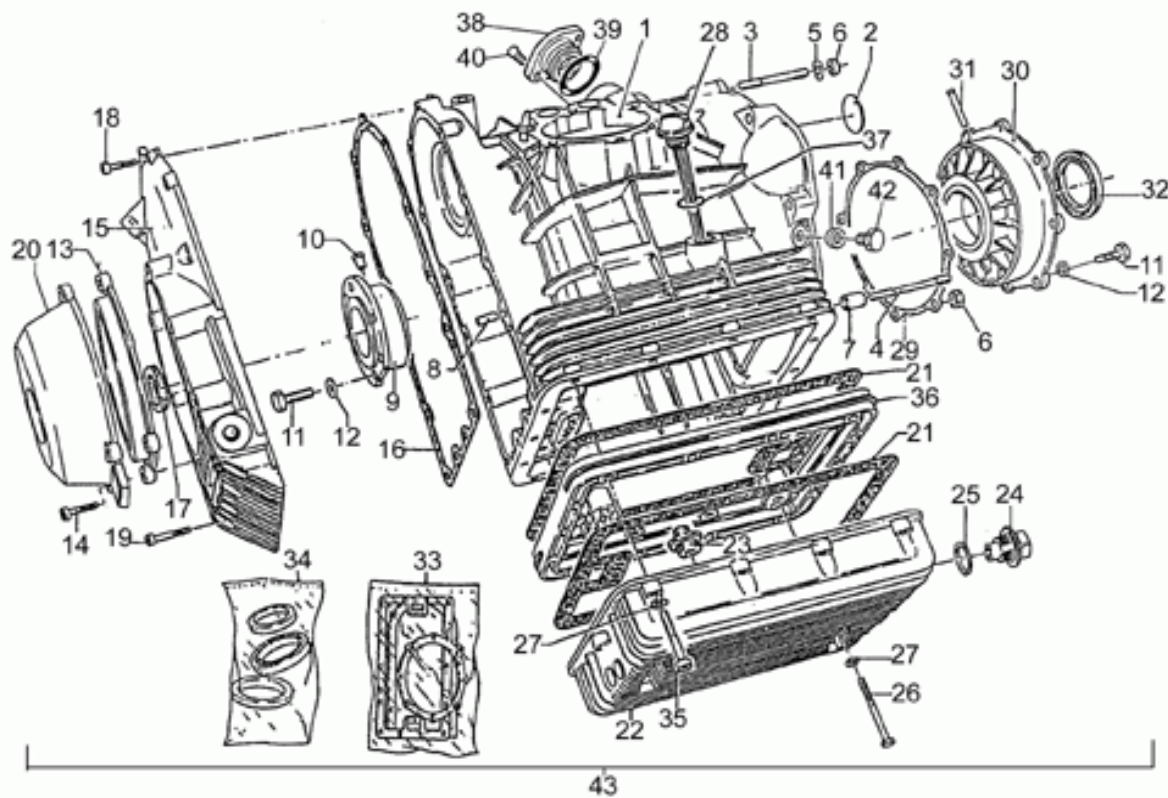
| Ref. | Description | Year | I.M. | Country | Version | Code | Qty |
|------|-----------------------------|------|------|---------|---------|----------|-----|
| 1 | Bague | - | - | - | - | 93601022 | 1 |
| 2 | Rondelle | - | - | - | - | 95028022 | 1 |
| 3 | Pignon embrayage | - | - | - | - | 30081810 | 1 |
| 4 | Joint torique | - | - | - | - | 90706235 | 1 |
| 5 | Arbre embrayage | - | - | - | - | 14210702 | 1 |
| 6 | Joint torique 20,24x2,62 | - | - | - | - | 90706203 | 1 |
| 7 | Rondelle distribution huile | - | - | - | - | 14218401 | 1 |
| 8 | Pignon interméd. Z=17 | - | - | - | - | 30211160 | 1 |
| 9 | Manchon | - | - | - | - | 30211260 | 1 |
| 10 | Ressort à godet | - | - | - | - | 30211560 | 8 |
| 11 | Disque | - | - | - | - | 30211660 | 1 |
| 14 | Arbre primaire | - | - | - | - | 14210513 | 1 |
| 15 | Rondelle éventail sp.2 | - | - | - | - | 18211050 | 1 |
| | Rondelle éventail sp.2,1 | - | - | - | - | 18211051 | 1 |
| | Rondelle éventail sp.2,2 | - | - | - | - | 18211052 | 1 |
| | Rondelle éventail sp.2,4 | - | - | - | - | 18211054 | 1 |
| 16 | Roulement à rouleaux | - | - | - | - | 92258525 | 1 |
| 17 | Engrenage 5e Z=28 | - | - | - | - | 14212013 | 1 |
| 18 | Rouleau | - | - | - | - | 92296750 | 1 |
| 19 | Ressort | - | - | - | - | 94321051 | 1 |
| 20 | Cage à rouleaux | - | - | - | - | 92251030 | 1 |
| 21 | Douille 5a AP | - | - | - | - | 14212210 | 1 |
| 22 | Baladeur 5a | - | - | - | - | 14231510 | 1 |



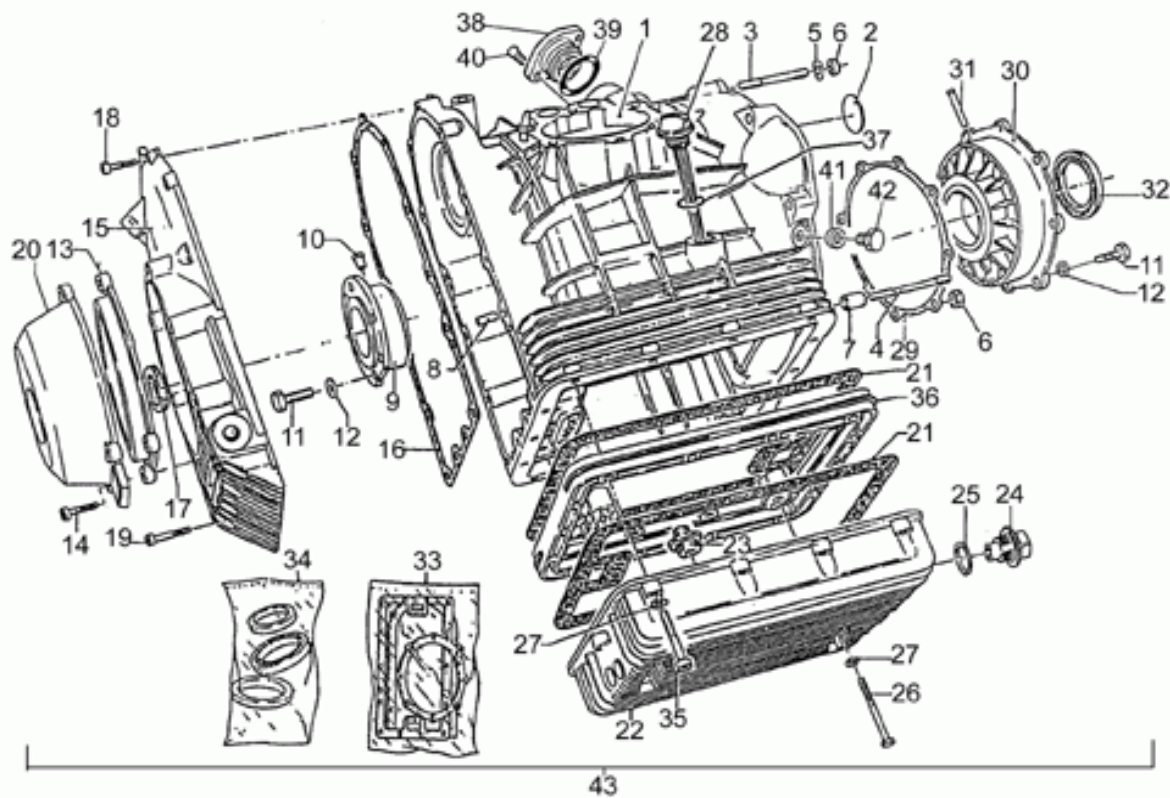
| Ref. | Description | Year | I.M. | Country | Version | Code | Qty |
|------|---------------------------|------|------|---------|---------|----------|-----|
| 1 | Soupape gaz 50/3 | - | - | - | - | 28937511 | 1 |
| 2 | Pointeau conique K23 | - | - | - | - | 28937711 | 1 |
| 3 | Gicleur AB 264 | - | - | - | - | 28935511 | 1 |
| 4 | Jet maximum 130 | - | - | - | T1 | 28935711 | 1 |
| | Jet maximum 120 | - | - | - | T2 | 28935748 | 2 |
| 5 | Gicleur minimum 50 | - | - | - | - | 66935910 | 1 |
| 6 | Jet démarrage 75 | - | - | - | - | 17936067 | 1 |
| 7 | Jet pompe 38 | - | - | - | - | 28939011 | 1 |
| 8 | Soupape à aiguille 250 | - | - | - | - | 17939167 | 1 |
| 9 | Flotteur | - | - | - | - | 14933000 | 1 |
| 10 | Tuyau | - | - | - | - | 49938900 | 1 |
| 11 | Ecrou | - | - | - | - | 19938880 | 1 |
| 12 | Vis tendeur de fil | - | - | - | - | 53937200 | 1 |
| 14 | Ressort | - | - | - | - | 14938050 | 1 |
| 15 | Levier | - | - | - | D1 | 0000000 | 1 |
| 16 | Vis | - | - | - | - | 14934650 | 1 |
| 17 | Couvercle soupape gaz | - | - | - | D2 | 0000000 | 1 |
| 18 | Pivot | - | - | - | D3 | 0000000 | 1 |
| 19 | Ressort | - | - | - | - | 17937167 | 1 |
| 20 | Plaquette | - | - | - | D4 | 0000000 | 1 |
| 21 | Agrafe pointeau conique | - | - | - | D5 | 0000000 | 1 |
| 24 | Vis tendeur de fil | - | - | - | - | 12937200 | 1 |
| 25 | Ecrou | - | - | - | - | 12937300 | 1 |
| 26 | Vis | - | - | - | - | 13937900 | 1 |
| 27 | Couvercle dispositif dém. | - | - | - | - | 17937450 | 1 |
| 29 | Ressort | - | - | - | - | 13937600 | 1 |
| 30 | Soupape de démarrage | - | - | - | - | 13937800 | 1 |
| 32 | Rondelle plate | - | - | - | - | 65933700 | 1 |
| 33 | Ressort | - | - | - | - | 13936300 | 1 |
| 34 | Vis | - | - | - | - | 30936210 | 1 |
| 36 | Rondelle plate | - | - | - | - | 14931650 | 1 |
| 37 | Ressort | - | - | - | - | 13936700 | 1 |
| 38 | Vis réglage soupape gaz | - | - | - | - | 13936600 | 1 |
| 41 | Porte-jet | - | - | - | D6 | 0000000 | 1 |
| 43 | Membrane | - | - | - | - | 14931050 | 1 |
| 44 | Ressort | - | - | - | - | 14936950 | 1 |
| 45 | Soupape | - | - | - | D7 | 0000000 | 1 |
| 46 | Couvercle | - | - | - | D8 | 0000000 | 1 |
| 48 | Vis | - | - | - | - | 14936550 | 1 |
| 49 | Ecrou | - | - | - | - | 14936450 | 1 |
| 50 | Vis | - | - | - | D9 | 0000000 | 1 |
| 51 | Rondelle | - | - | - | - | 13932900 | 1 |
| 52 | Soupape d'admission | - | - | - | - | 14931350 | 1 |



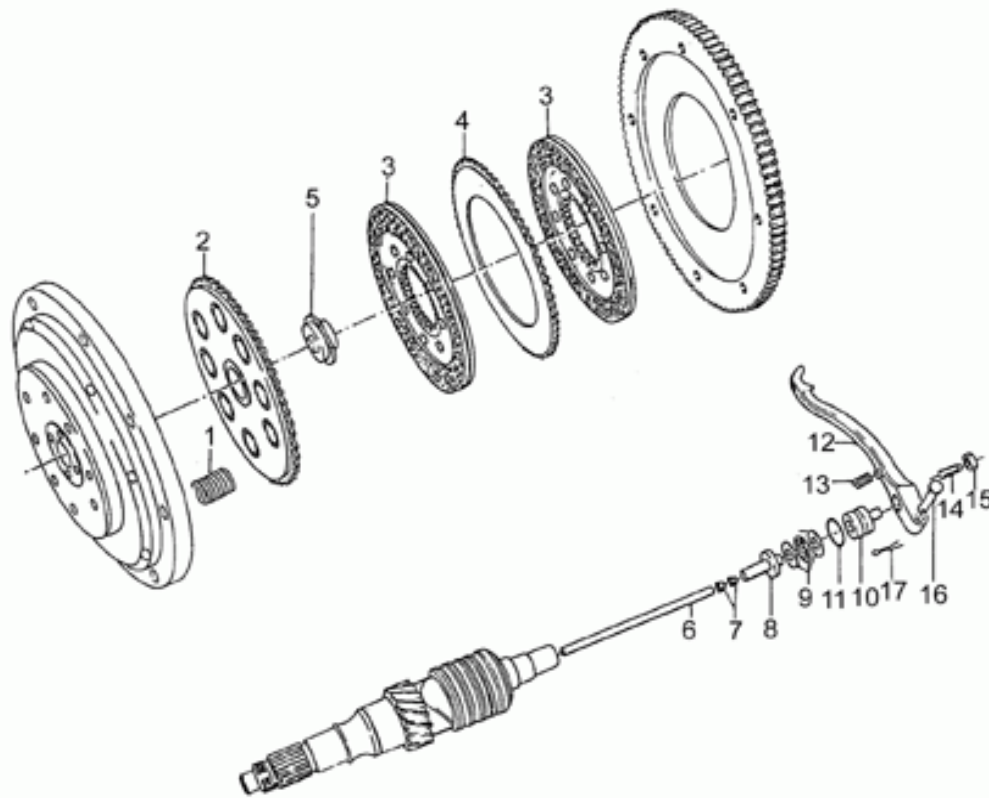
| Ref. | Description | Year | I.M. | Country | Version | Code | Qty |
|------|-----------------------------|------|------|---------|---------|----------|-----|
| 54 | Filtre essence | - | - | - | - | 43934000 | 1 |
| 55 | Pipette racc. tuyau essence | - | - | - | - | 13934600 | 1 |
| 56 | Vis fix.pipette | - | - | - | - | 10934900 | 1 |
| 57 | Porte-jet | - | - | - | D10 | 0000000 | 1 |
| 59 | Axe flotteur | - | - | - | - | 13933100 | 1 |
| 60 | Bac complet | - | - | - | D11 | 0000000 | 1 |
| 62 | Bouchon | - | - | - | D12 | 0000000 | 1 |
| 63 | Joints de série carburateur | - | - | - | - | 28939911 | 1 |
| 64 | Joint | - | - | - | - | 14115550 | 2 |
| 65 | Carburateur droit | - | - | - | - | 28115048 | 1 |
| | Carburateur gauche | - | - | - | - | 28115049 | 1 |
| 66 | Vis M6X25 | - | - | - | - | 98622325 | 6 |
| 67 | Manchon de carburateur | - | - | - | - | 14114350 | 2 |
| 68 | Collier 59,5/55 | - | - | - | - | 93305057 | 4 |
| 69 | Tuyau reniflard radiateur | - | - | - | - | 95985351 | 2 |
| 70 | Vis | - | - | - | - | 98346010 | 2 |
| 71 | Rondelle | - | - | - | - | 95100116 | 4 |
| 72 | Rondelle 6,15x11x0,8 | - | - | - | - | 95004206 | 6 |
| 73 | Carburateur droit | - | - | - | - | 28112610 | 1 |
| | Carburateur droit | - | - | - | T2 | 28112648 | 1 |
| 74 | Carburateur gauche | - | - | - | - | 28112611 | 1 |
| | Carburateur gauche | - | - | - | T2 | 28112649 | 1 |



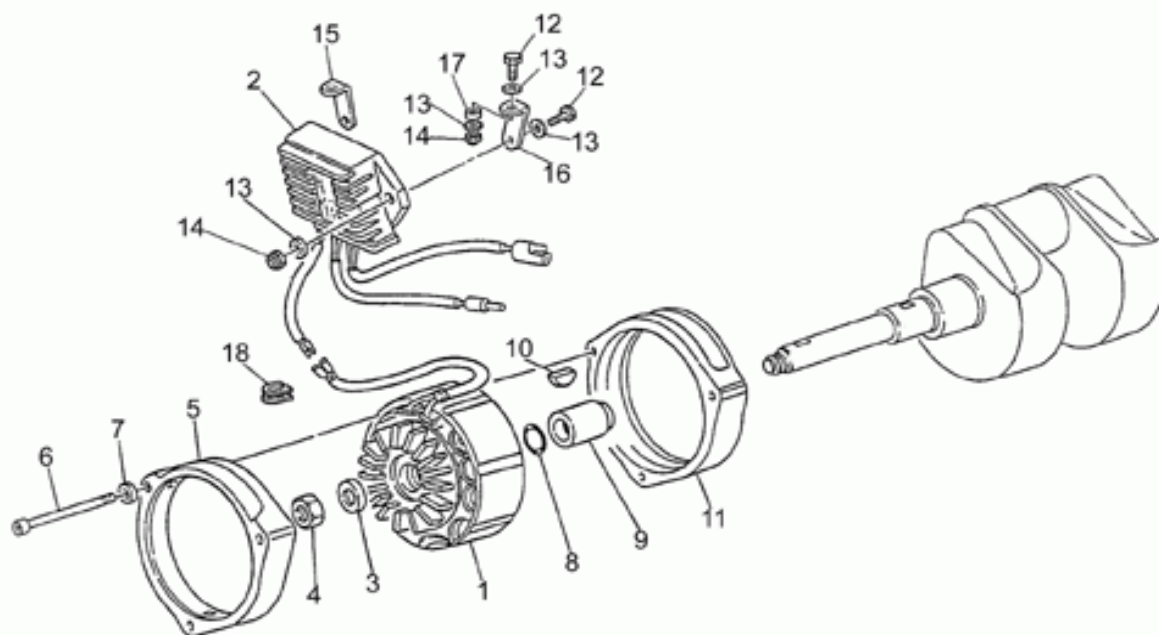
| Ref. | Description | Year | I.M. | Country | Version | Code | Qty |
|------|-----------------------------|------|------|---------|---------|----------|-----|
| 1 | Embase moteur grise | - | - | - | - | 30000760 | 1 |
| | Embase moteur brute | - | - | - | gr | 29000740 | 1 |
| 2 | Disque | - | - | - | - | 12003900 | 1 |
| 3 | Vis sans tête 66 mm | - | - | - | - | 96508066 | 4 |
| 4 | Vis sans tête M8x75 | - | - | - | - | 96508075 | 2 |
| 5 | Rondelle | - | - | - | - | 95004208 | 5 |
| 6 | Ecrou | - | - | - | - | 92602208 | 6 |
| 7 | Douille d'accouplement | - | - | - | - | 12018900 | 2 |
| 8 | Goupille | - | - | - | - | 95512081 | 2 |
| 9 | Bride min.0,2mm | - | - | - | M | 14011901 | 1 |
| | Bride complète | - | - | - | std | 14011900 | 1 |
| 10 | Goupille | - | - | - | - | 12012200 | 1 |
| 11 | Vis M8X25 | - | - | - | - | 98054425 | 14 |
| 12 | Rondelle élastique | - | - | - | - | 61270300 | 14 |
| 13 | Bride | - | - | - | - | 18001150 | 1 |
| 14 | Vis | - | - | - | - | 98310630 | 4 |
| 15 | Couvercle gris | - | - | - | - | 30001460 | 1 |
| | Couvercle distribution brut | - | - | - | gr | 29001453 | 1 |
| 16 | Joint couvercle | - | - | - | - | 12001200 | 1 |
| 17 | Bague d'étanchéité | - | - | - | - | 90402840 | 1 |
| 18 | Vis M6X25 | - | - | - | - | 98622325 | 8 |
| 19 | Vis M6X35 | - | - | - | - | 98620335 | 6 |
| 20 | Couvercle | - | - | - | - | 18001650 | 1 |
| 21 | Garniture de enjoliveur | - | - | - | - | 14003600 | 2 |
| 22 | Carter inférieur gris | - | - | - | 1AB | 30003560 | 1 |
| | Carter huile moteur brut | - | - | - | 1AB gr | 14003501 | 1 |
| | Coupe huile moteur | - | - | - | 2AA | 30003501 | 1 |
| 23 | Raccord | - | - | - | - | 30003800 | 1 |
| 24 | Bouchon vid.huile | - | - | - | - | 12003702 | 1 |
| 25 | Joint | - | - | - | - | 95100709 | 1 |
| 26 | Vis | - | - | - | - | 98052390 | 4 |
| 27 | Rondelle 6,15x11x0,8 | - | - | - | - | 95004206 | 18 |
| 28 | Bouchon huile | - | - | - | - | 30004910 | 1 |
| 29 | Joint | - | - | - | - | 12011800 | 1 |
| 30 | Bride min.0,2 mm | - | - | - | M | 12011401 | 1 |
| | Bride min.0,4 mm | - | - | - | M | 12011402 | 1 |
| | Bride min.0,6 mm | - | - | - | M | 12011403 | 1 |
| | Bride complète | - | - | - | std | 12011400 | 1 |
| 31 | Goupille | - | - | - | - | 12011700 | 1 |
| 32 | Bague d'étanchéité | - | - | - | - | 90405367 | 1 |
| 33 | Joints moteur-série | - | - | - | - | 28999050 | 1 |
| 34 | Kit moteur spi | - | - | - | - | 17999550 | 1 |
| 35 | Vis | - | - | - | 1A | 98620360 | 14 |



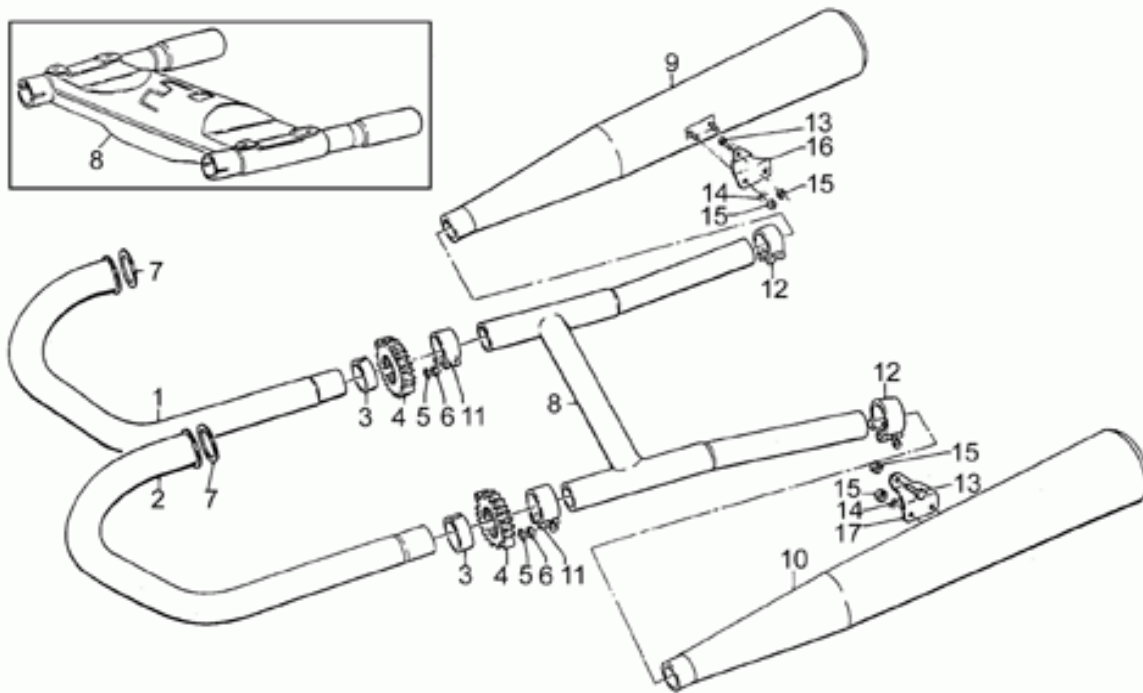
| Ref. | Description | Year | I.M. | Country | Version | Code | Qty |
|------|-------------------------|------|------|---------|---------|----------|-----|
| 35 | Vis M6X25 | - | - | - | 2A | 98622325 | 14 |
| 36 | Bride carter huile | - | - | - | 1A | 30003260 | 1 |
| | Bride carter huile | - | - | - | 1A gr | 14003240 | 1 |
| 37 | Joint torique | - | - | - | - | 90706178 | 1 |
| 38 | Couvercle | - | - | - | - | 29018361 | 1 |
| 39 | Joint torique | - | - | - | - | 90706313 | 1 |
| 40 | Vis | - | - | - | - | 98250820 | 2 |
| 41 | Joint | - | - | - | - | 95100304 | 1 |
| 42 | Bouchon huile | - | - | - | - | 30003770 | 1 |
| 43 | Moteur sans boîte de v. | - | - | - | Di/Di | 28991047 | 1 |



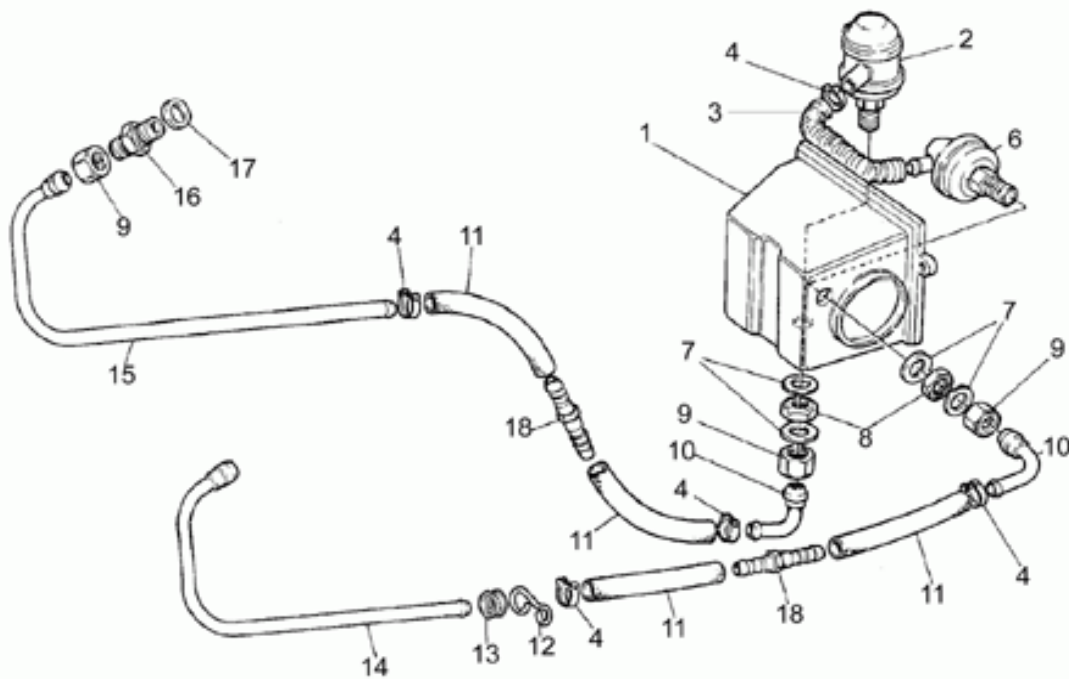
| Ref. | Description | Year | I.M. | Country | Version | Code | Qty |
|------|-------------------------|------|------|---------|---------|----------|-----|
| 1 | Ressort embrayage | - | - | - | - | 13084100 | 8 |
| 2 | Disque | - | - | - | - | 12082901 | 1 |
| 3 | Disque embr.compl. | - | - | - | - | 29084450 | 2 |
| 4 | Disque interclaire | - | - | - | - | 12082300 | 1 |
| 5 | Rondelle | - | - | - | - | 12082800 | 1 |
| 6 | Tige | - | - | - | - | 14085700 | 1 |
| 7 | Douille | - | - | - | - | 14085900 | 2 |
| 8 | Corps intérieur | - | - | - | - | 14086000 | 1 |
| 9 | Palier poussée | - | - | - | - | 12087001 | 1 |
| 10 | Corps extérieur | - | - | - | - | 14086100 | 1 |
| 11 | Joint torique | - | - | - | - | 90706170 | 1 |
| 12 | Débrayage | - | - | - | - | 14090202 | 1 |
| 13 | Retour levier démarrage | - | - | - | - | 94321105 | 1 |
| 14 | Vis embrayage | - | - | - | - | 14090400 | 1 |
| 15 | Ecrou M8X1 | - | - | - | - | 92602508 | 1 |
| 16 | Goupille | - | - | - | - | 95780271 | 1 |
| 17 | Goupille | - | - | - | - | 95500222 | 1 |



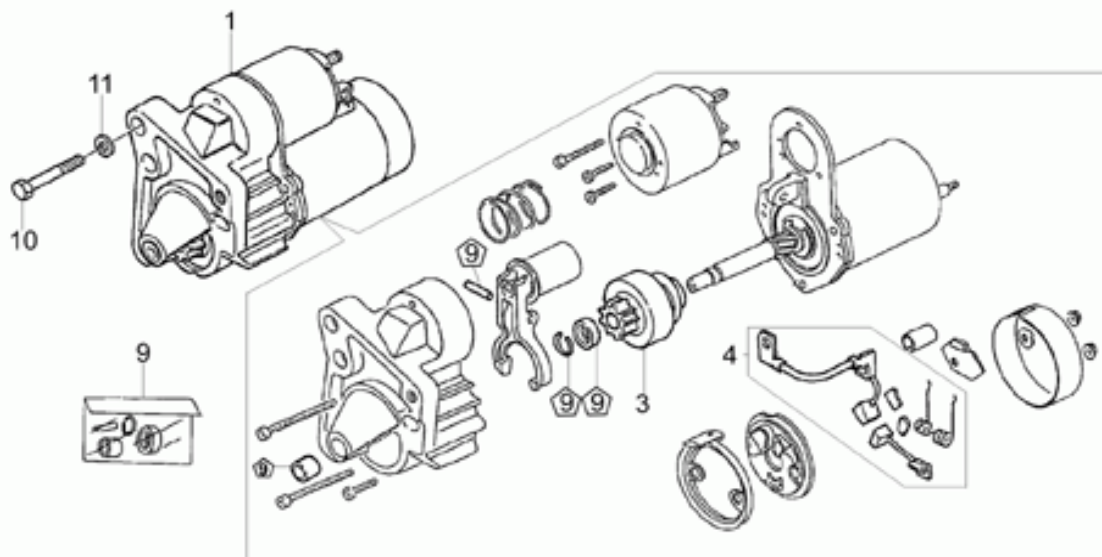
| Ref. | Description | Year | I.M. | Country | Version | Code | Qty |
|------|-------------------------|------|------|---------|---------|----------|-----|
| 1 | Alternateur | - | - | - | - | 37712405 | 1 |
| 2 | Régulateur de tension | - | - | - | - | 37703805 | 1 |
| 3 | Rondelle | - | - | - | - | 30714201 | 1 |
| 4 | Ecrou M16X1,5 | - | - | - | - | 92603516 | 1 |
| 5 | Calotte av. | - | - | - | - | 29711460 | 1 |
| 6 | Vis | - | - | - | - | 98620265 | 3 |
| 7 | Rondelle | - | - | - | - | 29217960 | 3 |
| 8 | Joint torique | - | - | - | - | 90706178 | 1 |
| 9 | Entretoise | - | - | - | - | 37712306 | 1 |
| 10 | Clavette | - | - | - | - | 91600450 | 1 |
| 11 | Calotte arriere chromée | - | - | - | - | 29711960 | 1 |
| 12 | Vis M6X20 | - | - | - | - | 98054320 | 4 |
| 13 | Rondelle | - | - | - | - | 95000206 | 6 |
| 14 | Ecrou M6x1 | - | - | - | - | 92630106 | 4 |
| 15 | Plaquette droite | - | - | - | - | 14704072 | 1 |
| 16 | Plaquette gauche | - | - | - | - | 14704073 | 1 |
| 17 | Entretoise | - | - | - | - | 91180602 | 2 |
| 18 | Caoutchouc | - | - | - | - | 19007700 | 1 |



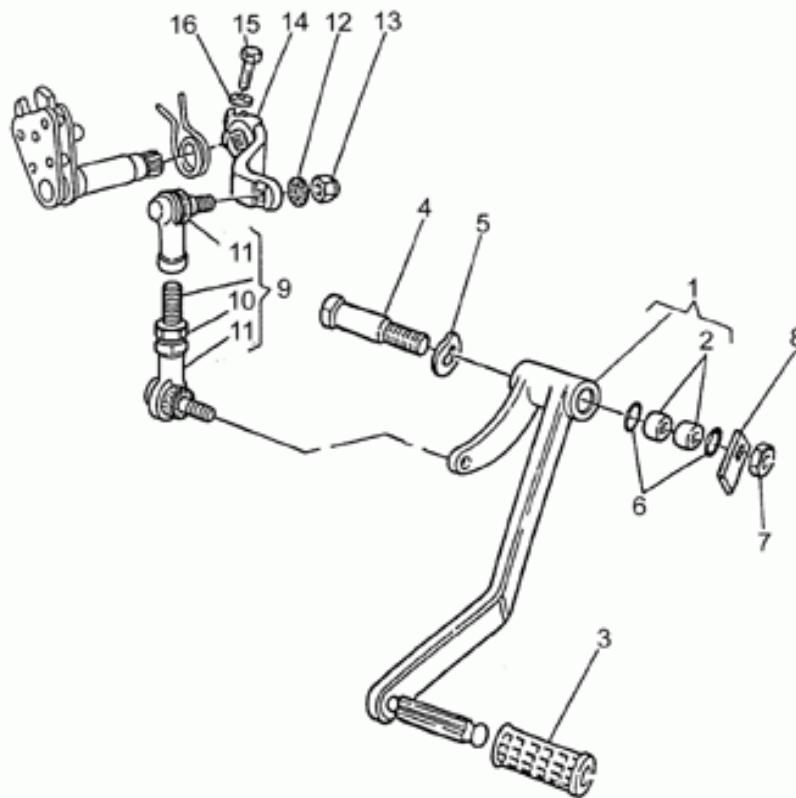
| Ref. | Description | Year | I.M. | Country | Version | Code | Qty |
|------|------------------------|------|------|---------|---------|----------|-----|
| 1 | Tuyau échappement d. | - | - | - | - | 14120901 | 1 |
| 2 | Tuyau échappement gche | - | - | - | - | 14120906 | 1 |
| 3 | Entretoise | - | - | - | - | 14121200 | 2 |
| 4 | Bride | - | - | - | - | 17121061 | 2 |
| 5 | Rondelle | - | - | - | - | 14615901 | 4 |
| 6 | Ecrou | - | - | - | - | 92781081 | 4 |
| 7 | Joint | - | - | - | - | 90718370 | 2 |
| 8 | Chambre de détente | - | - | - | - | 30123910 | 1 |
| | Chambre de détente | - | - | - | T1 | 17123962 | 1 |
| 9 | Silencieux D | - | - | - | T1 | 29123000 | 1 |
| | Silencieux D | - | - | - | T2 | 17123062 | 1 |
| 10 | Silencieux G | - | - | - | T1 | 29122900 | 1 |
| | Silencieux G | - | - | - | T2 | 17122962 | 1 |
| 11 | Collier | - | - | - | - | 14126900 | 2 |
| 12 | Collier | - | - | - | - | 14123400 | 2 |
| 13 | Vis M8X20 | - | - | - | - | 98054420 | 2 |
| 14 | Rondelle élastique | - | - | - | - | 95021108 | 6 |
| 15 | Ecrou | - | - | - | - | 92602208 | 6 |
| 16 | Plaque d. | - | - | - | T1 | 19128660 | 1 |
| | Plaque d. | - | - | - | T2 | 03128640 | 1 |
| 17 | Plaque g. | - | - | - | T1 | 19128760 | 1 |
| | Plaque g. | - | - | - | T2 | 03128740 | 1 |
| 18 | Chambre de détente | - | - | - | T2 | 29123938 | 1 |



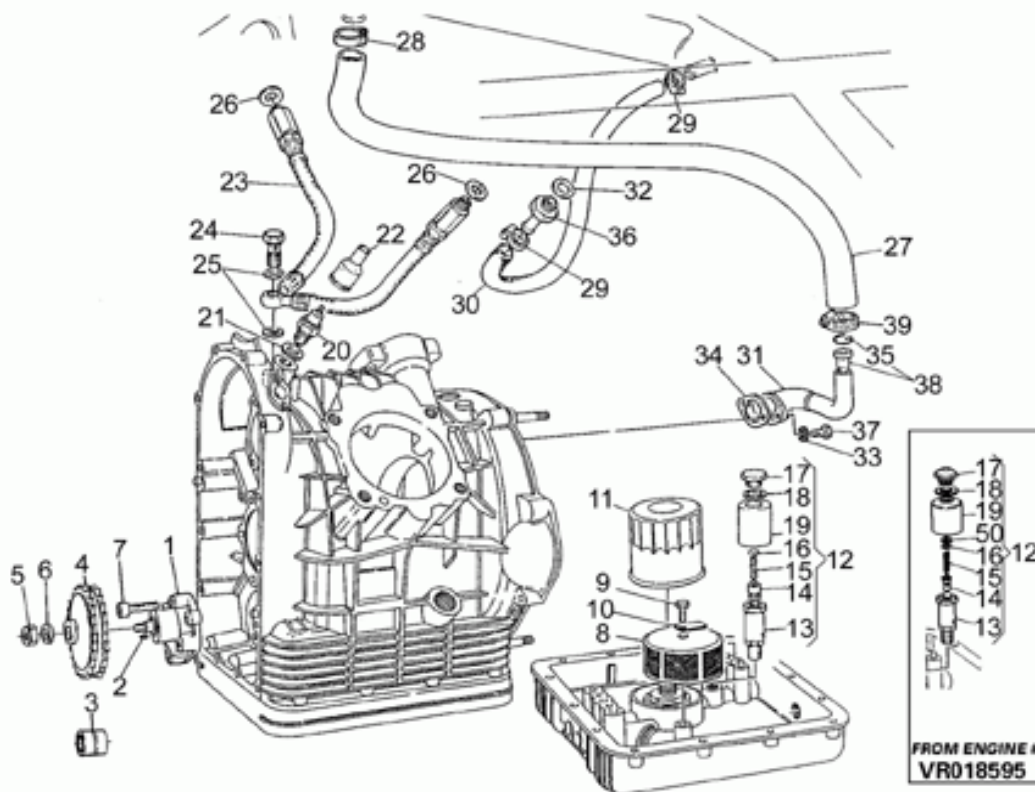
| Ref. | Description | Year | I.M. | Country | Version | Code | Qty |
|------|------------------------|------|------|---------|---------|-------------|-----|
| 1 | Collecteur aspiration | - | - | - | - | 28114345 | 1 |
| 2 | Soupape d. Pierburg | - | - | - | - | 29116022 | 1 |
| 3 | Tuyau | - | - | - | - | 28118947 | 1 |
| 4 | Collier | - | - | - | - | 28157950 | 6 |
| 6 | Soupape g. Pierburg | - | - | - | - | 29116023 | 1 |
| 7 | Rondelle | - | - | - | - | 95100628 | 4 |
| 8 | Ecrou M16X1,5 | - | - | - | - | 92602516 | 2 |
| 9 | Ecrou | - | - | - | - | 29119822 | 4 |
| 10 | Raccord 90° | - | - | - | - | 29116922 | 2 |
| 11 | Tuyau SAEJ30R76X121/4" | - | - | - | - | 00823956060 | 1 |
| 12 | Guide-câble | - | - | - | - | 29655722 | 2 |
| 13 | Bague | - | - | - | - | 91551120 | 2 |
| 14 | Tuyau g. | - | - | - | - | 29119122 | 1 |
| 15 | Tuyau d. | - | - | - | - | 29119022 | 1 |
| 16 | Raccord | - | - | - | - | 29115822 | 2 |
| 17 | Joint | - | - | - | - | 10154200 | 2 |
| 18 | Raccord à deux voies | - | - | - | - | 29119222 | 2 |



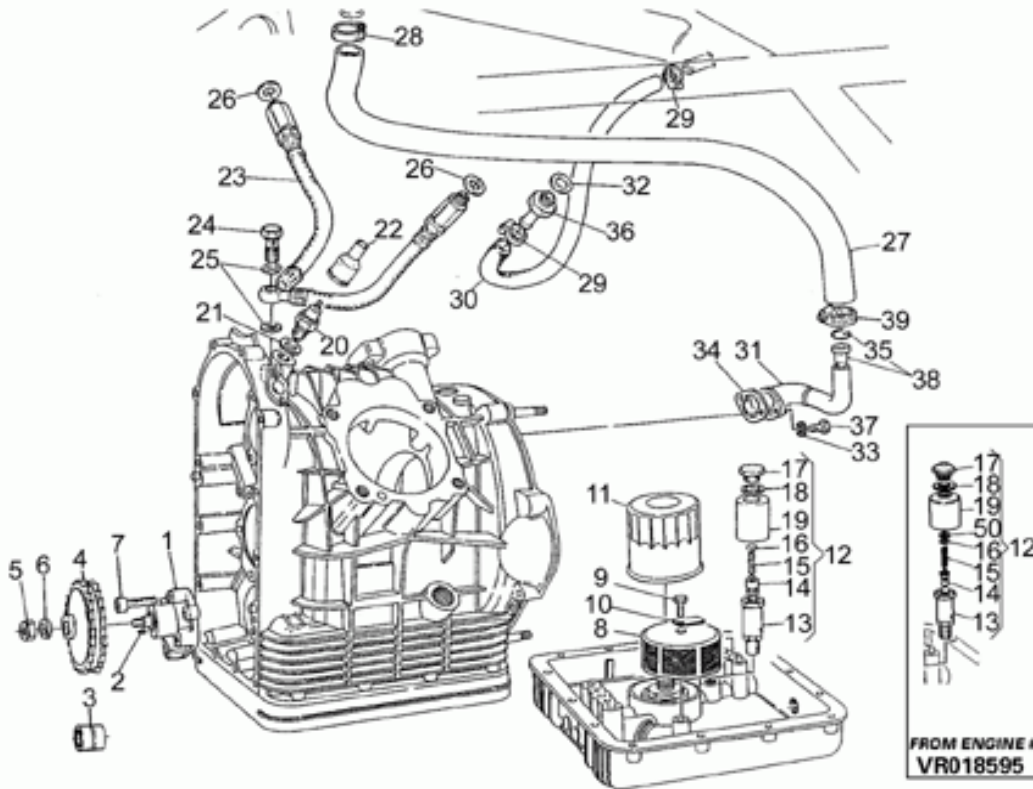
| Ref. | Description | Year | I.M. | Country | Version | Code | Qty |
|------|------------------------|------|------|---------|---------|----------|-----|
| 1 | Démarreur | - | - | - | - | 30730711 | 1 |
| 3 | Pignon complète | - | - | - | - | 30530510 | 1 |
| 4 | Kit de révision brosse | - | - | - | - | 30530511 | 1 |
| 9 | Kit rév. démarreur | - | - | - | - | 30530512 | 1 |
| 10 | Vis M8X75 | - | - | - | - | 98052475 | 2 |
| 11 | Rondelle | - | - | - | - | 95004208 | 2 |



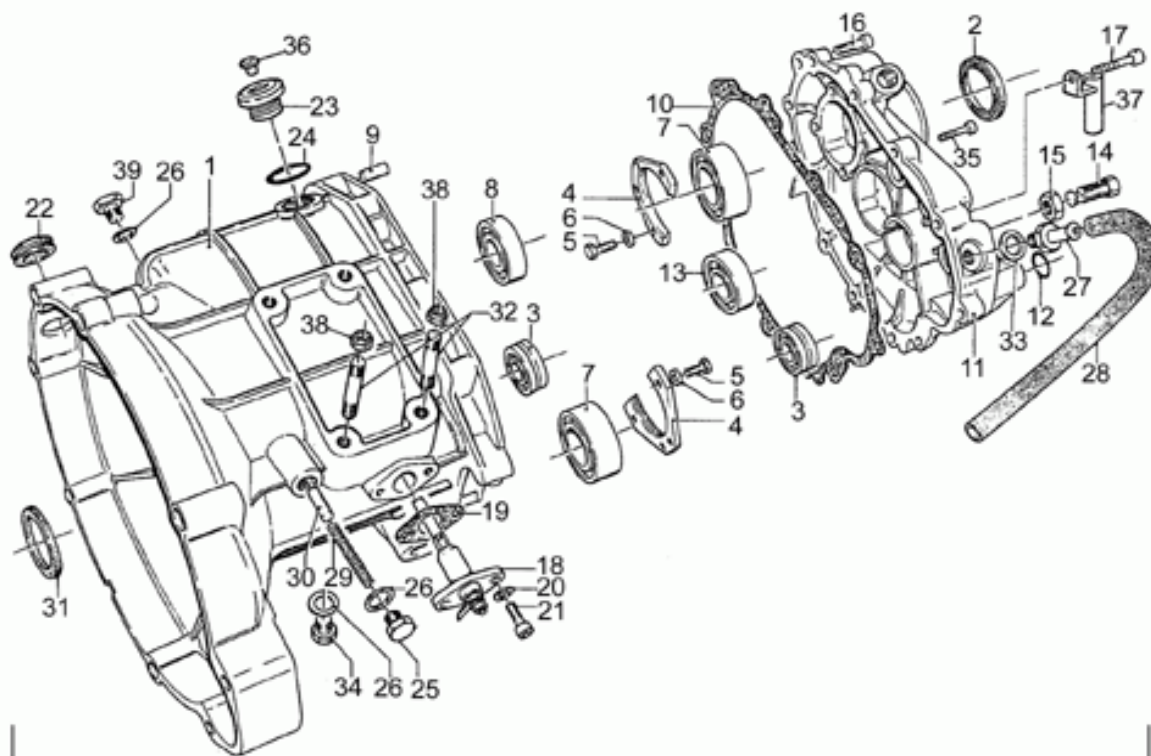
| Ref. | Description | Year | I.M. | Country | Version | Code | Qty |
|------|--------------------------------|------|------|---------|---------|----------|-----|
| 1 | Levier boîte de vitesses | - | - | - | - | 28250848 | 1 |
| 2 | Bague | - | - | - | - | 28252010 | 2 |
| 3 | Caoutchouc | - | - | - | - | 14251001 | 1 |
| 4 | Vis | - | - | - | - | 30252360 | 1 |
| 5 | Rondelle | - | - | - | - | 95100409 | 1 |
| 6 | Joint torique | - | - | - | - | 90706108 | 2 |
| 7 | Ecrou | - | - | - | - | 92701120 | 1 |
| 8 | Plaquette de sécurité | - | - | - | - | 95184014 | 1 |
| 9 | Tirant pour boîte vitesse cpl. | - | - | - | - | 30257730 | 1 |
| 10 | Ecrou | - | - | - | - | 92602206 | 1 |
| 11 | Fourchette | - | - | - | - | 28258160 | 2 |
| 12 | Rondelle | - | - | - | - | 95000206 | 2 |
| 13 | Ecrou M6x1 | - | - | - | - | 92630106 | 2 |
| 14 | Levier | - | - | - | - | 18258201 | 1 |
| 15 | Vis | - | - | - | - | 98052325 | 1 |
| 16 | Rondelle évent. | - | - | - | - | 95021106 | 1 |



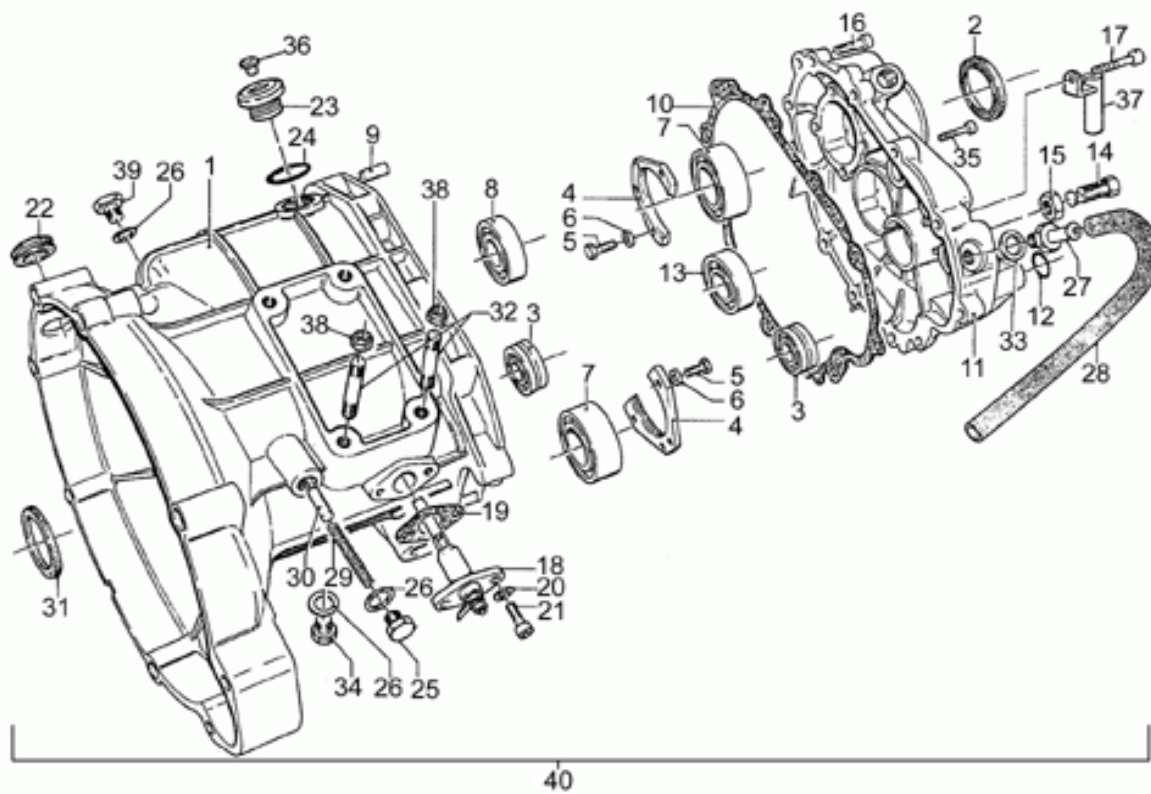
| Ref. | Description | Year | I.M. | Country | Version | Code | Qty |
|------|---------------------------|------|------|---------|---------|-------------|-----|
| 1 | Pompe huile | - | - | - | - | 30146400 | 1 |
| 2 | Clavette | - | - | - | - | 13148300 | 1 |
| 3 | Roulement à rouleaux | - | - | - | - | 92252210 | 1 |
| 4 | Pignon de pompe | - | - | - | - | 30147700 | 1 |
| 5 | Ecrou | - | - | - | - | 92602308 | 1 |
| 6 | Rondelle élastique | - | - | - | - | 95120085 | 1 |
| 7 | Vis | - | - | - | - | 98622430 | 4 |
| 8 | Filtre à huile | - | - | - | - | 14152200 | 1 |
| 9 | Vis M6X16 | - | - | - | - | 98054316 | 1 |
| 10 | Plaquette | - | - | - | - | 95187006 | 1 |
| 11 | Filtre à huile | - | - | - | - | 30153000 | 1 |
| 12 | Soupape huile complète | - | - | - | M3 | 14158200 | 1 |
| | Soupape huile complète | - | - | - | M4 | 03158200 | 1 |
| 13 | Corps de soupape | - | - | - | M3 | 10158701 | 1 |
| | Corps de soupape | - | - | - | M4 | 30158701 | 1 |
| 14 | Piston | - | - | - | M3 | 12150900 | 1 |
| | Piston | - | - | - | M4 | 30150900 | 1 |
| 15 | Ressort de soupape | - | - | - | M3 | 94321072 | 1 |
| | Ressort | - | - | - | M4 | 94321079 | 1 |
| 16 | Fond | - | - | - | M3 | 12150700 | 1 |
| | Rondelle 6,15x11x0,8 | - | - | - | M4 | 95004206 | 1 |
| 17 | Bouchon | - | - | - | M3 | 12159000 | 1 |
| | Bouchon | - | - | - | M4 | 30159000 | 1 |
| 18 | Rondelle | - | - | - | M3 | 95100523 | 2 |
| | Rondelle | - | - | - | M4 | 18144350 | 2 |
| 19 | Rondelle | - | - | - | M3 | 14158800 | 1 |
| | Rondelle | - | - | - | M4 | 30158800 | 1 |
| 20 | Détecteur pression | - | - | - | - | 17768750 | 1 |
| 21 | Joint | - | - | - | - | 12006400 | 1 |
| 22 | Capuchon | - | - | - | - | 12717600 | 1 |
| 23 | Tuyau | - | - | - | - | 01153600 | 1 |
| 24 | Vis | - | - | - | - | 95990037 | 1 |
| 25 | Joint | - | - | - | - | 12154200 | 2 |
| 26 | Garniture | - | - | - | - | 25656102 | 2 |
| 27 | Tuyau | - | - | - | - | 28157450 | 1 |
| 28 | Collier | - | - | - | - | 28157850 | 1 |
| 29 | Collier | - | - | - | - | 93305017 | 4 |
| 30 | Tuyau | - | - | - | - | 00823942070 | 1 |
| 31 | Tuyau reniflard radiateur | - | - | - | - | 28007250 | 1 |
| 32 | Garniture | - | - | - | - | 25656102 | 2 |
| 33 | Rondelle | - | - | - | - | 95120065 | 2 |
| 34 | Joint | - | - | - | - | 12007600 | 1 |
| 35 | Bague de butée | - | - | - | - | 65061300 | 1 |



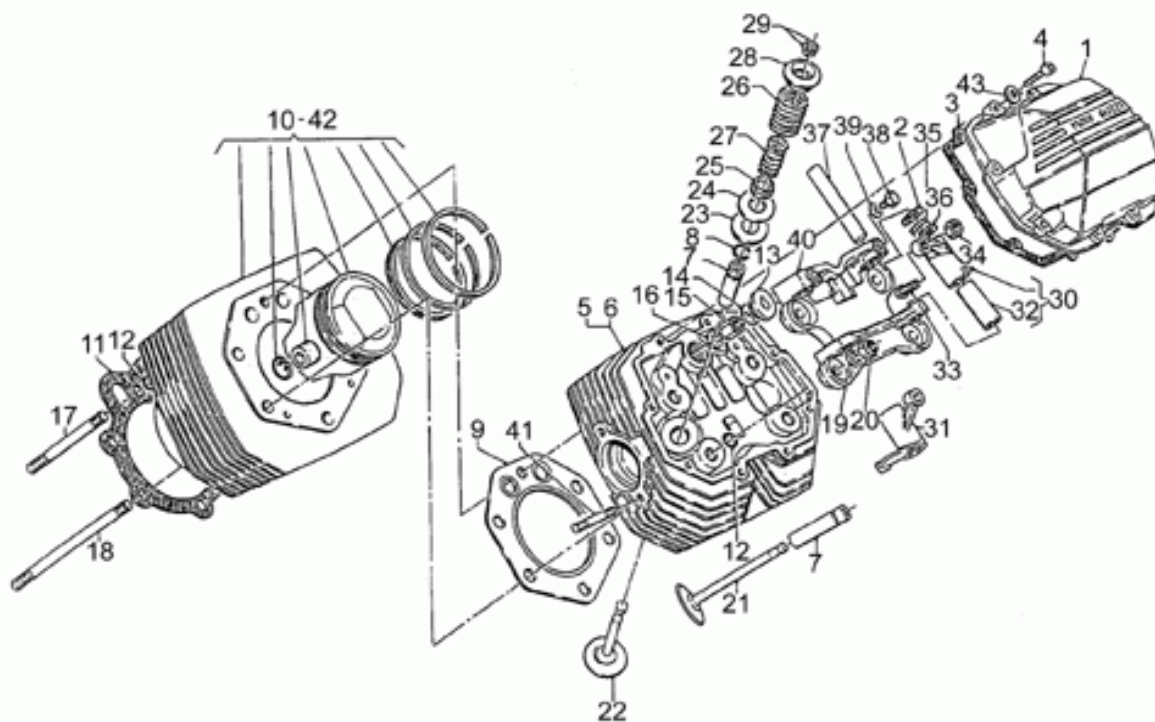
| Ref. | Description | Year | I.M. | Country | Version | Code | Qty |
|------|-------------------------|------|------|---------|---------|----------|-----|
| 36 | Raccord | - | - | - | - | 28153960 | 2 |
| 37 | Vis M6X20 | - | - | - | - | 98054320 | 2 |
| 38 | Soupape reniflard huile | - | - | - | - | 28150560 | 1 |
| 39 | Collier | - | - | - | - | 12157800 | 1 |
| 50 | Rondelle | - | - | - | M4 | 30158900 | 1 |



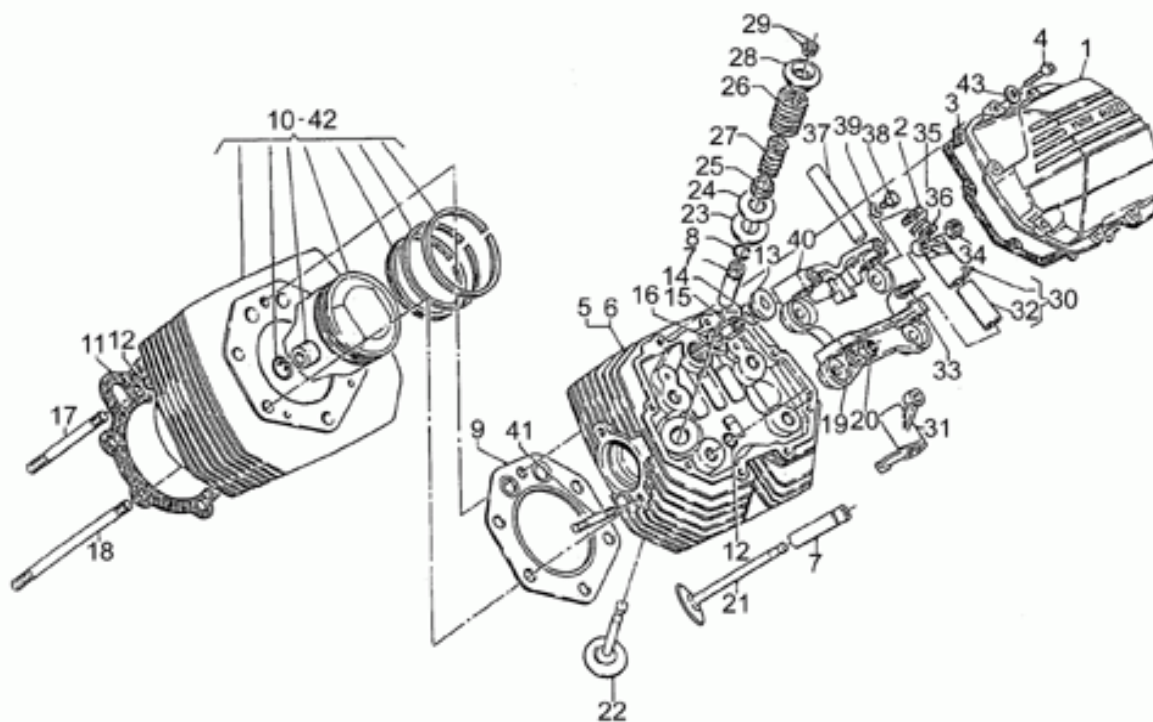
| Ref. | Description | Year | I.M. | Country | Version | Code | Qty |
|------|-----------------------------|------|------|---------|---------|-------------|-----|
| 1 | Carter de boîte vitesses | - | - | - | - | 30200260 | 1 |
| | Boîte de vitesses brute | - | - | - | gr | 14200211 | 1 |
| 2 | Bague d'étanchéité | - | - | - | - | 90403547 | 1 |
| 3 | Roulement à rouleaux | - | - | - | - | 92256218 | 2 |
| 4 | Plaque | - | - | - | - | 14213803 | 2 |
| 5 | Vis M6X16 | - | - | - | - | 98622316 | 6 |
| 6 | Rondelle | - | - | - | - | 14217901 | 6 |
| 7 | Roulement AF/AS | - | - | - | - | 92218424 | 2 |
| 8 | Roulement AS | - | - | - | - | 92234717 | 1 |
| 9 | Goupille | - | - | - | - | 95512081 | 2 |
| 10 | Joint | - | - | - | - | 14201110 | 1 |
| 11 | Couvercle boîte | - | - | - | - | 30200860 | 1 |
| | Couvercle boîtier brut | - | - | - | gr | 18200801 | 1 |
| 12 | Joint torique | - | - | - | - | 90706140 | 1 |
| 13 | Roulement AP | - | - | - | - | 92201417 | 1 |
| 14 | Vis | - | - | - | - | 14237800 | 1 |
| 15 | Ecrou bas M12x1,25 | - | - | - | - | 92602512 | 1 |
| 16 | Vis M6X25 | - | - | - | - | 98622325 | 9 |
| 17 | Vis M6X35 | - | - | - | - | 98620335 | 1 |
| 18 | Interr.tém.libre | - | - | - | - | 12207200 | 1 |
| 19 | Joint | - | - | - | - | 12207700 | 1 |
| 20 | Rondelle | - | - | - | - | 14217901 | 2 |
| 21 | Vis | - | - | - | - | 98822316 | 2 |
| 22 | Bouchon | - | - | - | - | 93180220 | 1 |
| 23 | Bouchon huile | - | - | - | - | 19351200 | 1 |
| 24 | Joint torique 20,24x2,62 | - | - | - | - | 90706203 | 1 |
| 25 | Bouchon | - | - | - | - | 95980610 | 1 |
| 26 | Garniture | - | - | - | - | 10528900 | 3 |
| 27 | Soupape reniflard huile | - | - | - | - | 14204955 | 1 |
| 28 | Tuyau | - | - | - | - | 00823942070 | 1 |
| 29 | Ressort | - | - | - | - | 94321067 | 1 |
| 30 | Encliquetage | - | - | - | - | 17234760 | 1 |
| 31 | Bague d'étanchéité | - | - | - | - | 90403548 | 1 |
| 32 | Vis sans tête | - | - | - | - | 96508032 | 2 |
| 33 | Joint | - | - | - | - | 12154200 | 1 |
| 34 | Bouchon vid.huile | - | - | - | - | 31003766 | 1 |
| 35 | Vis | - | - | - | - | 98822325 | 1 |
| 36 | Bouchon | - | - | - | - | 93180245 | 1 |
| 37 | Support | - | - | - | - | 28424645 | 1 |
| 38 | Ecrou | - | - | - | - | 92630508 | 3 |
| 39 | Bouchon niveau huile | - | - | - | - | 95980214 | 1 |
| 40 | Boîte vit. cpl.grise | - | - | - | - | 30991560 | 1 |



| Ref. | Description | Year | I.M. | Country | Version | Code | Qty |
|------|----------------------|------|------|---------|---------|----------|-----|
| 40 | Boîte vit. cpl.brute | - | - | - | gr | 28991560 | 1 |



| Ref. | Description | Year | I.M. | Country | Version | Code | Qty |
|------|-----------------------------|------|------|---------|---------|----------|-----|
| 1 | Couvercle soupapes gris | - | - | - | - | 37023505 | 2 |
| | Couvercle soupapes brut | - | - | - | gr | 14023560 | 2 |
| 2 | Rondelle | - | - | - | - | 10032700 | 4 |
| 3 | Joint couvercle | - | - | - | - | 14023760 | 2 |
| 4 | Vis M6X25 | - | - | - | - | 98622325 | 14 |
| 5 | Culasse cylindre d. grise | - | - | - | - | 28022146 | 1 |
| | Culasse cylindre d. brute | - | - | - | gr | 28022145 | 1 |
| | Culasse cylindre d. grise | - | - | - | T2 | 28022147 | 1 |
| 6 | Culasse cylindre g. grise | - | - | - | - | 28022246 | 1 |
| | Culasse cylindre g. brute | - | - | - | gr | 28022245 | 1 |
| | Culasse cylindre g. grise | - | - | - | T2 | 28022247 | 1 |
| 7 | Guide-soupape purge | - | - | - | - | 13036801 | 4 |
| 8 | Anneau élastique | - | - | - | - | 90353016 | 4 |
| 9 | Joint | - | - | - | - | 28022000 | 2 |
| 10 | Cylindre cpl.gris | - | - | - | - | 28060248 | 1 |
| | Cylindre cpl.d. brut | - | - | - | gr | 28060245 | 1 |
| 11 | Joint | - | - | - | - | 14020865 | 2 |
| 12 | Joint torique | - | - | - | - | 90706094 | 12 |
| 13 | Bouchon huile | - | - | - | - | 12022600 | 2 |
| 14 | Joint torique 20,24x2,62 | - | - | - | - | 90706203 | 2 |
| 15 | Ecrou colonne | - | - | - | - | 13021900 | 2 |
| 16 | Rondelle | - | - | - | - | 95129180 | 2 |
| 17 | Vis sans tête | - | - | - | - | 12021800 | 4 |
| 18 | Vis sans tête | - | - | - | - | 12021700 | 8 |
| 19 | Rondelle | - | - | - | - | 14018400 | 10 |
| 20 | Ecrou | - | - | - | - | 92603010 | 10 |
| 21 | Soupape d'admission | - | - | - | - | 29036050 | 2 |
| 22 | Soupape d'échappement | - | - | - | - | 29036150 | 2 |
| 23 | Rondelle | - | - | - | - | 13037200 | 4 |
| 24 | Rondelle | - | - | - | - | 14037300 | 10 |
| 25 | Coupelle inférieure | - | - | - | - | 13037000 | 4 |
| 26 | Ressort externe | - | - | - | - | 13037400 | 4 |
| 27 | Ressort interne | - | - | - | - | 13037600 | 4 |
| 28 | Coupelle supérieur | - | - | - | - | 14038000 | 4 |
| 29 | Demi-clavette soupape | - | - | - | - | 12038100 | 8 |
| 30 | Culbuteur d.complet | - | - | - | - | 14030200 | 2 |
| 31 | Culbuteur g.complet | - | - | - | - | 14030400 | 2 |
| 32 | Bague | - | - | - | - | 91111511 | 4 |
| 33 | Vis embrayage | - | - | - | - | 17034050 | 4 |
| 34 | Ecrou | - | - | - | - | 10034100 | 4 |
| 35 | Ressort | - | - | - | - | 94322215 | 4 |
| 36 | Rondelle | - | - | - | - | 90118152 | 8 |



| Ref. | Description | Year | I.M. | Country | Version | Code | Qty |
|------|----------------------|------|------|---------|---------|----------|-----|
| 37 | Axe culbuteur | - | - | - | - | 12031800 | 4 |
| 38 | Vis M6X16 | - | - | - | - | 98054316 | 4 |
| 39 | Rondelle | - | - | - | - | 95120065 | 4 |
| 40 | Support culbuteur | - | - | - | - | 14034865 | 2 |
| 41 | Vis sans tête | - | - | - | - | 96508042 | 4 |
| 42 | Cylindre cpl.gris | - | - | - | - | 28060248 | 1 |
| | Cylindre cpl.g. brut | - | - | - | gr | 28060145 | 1 |
| 43 | Rondelle 6,15x11x0,8 | - | - | - | - | 95004206 | 14 |