

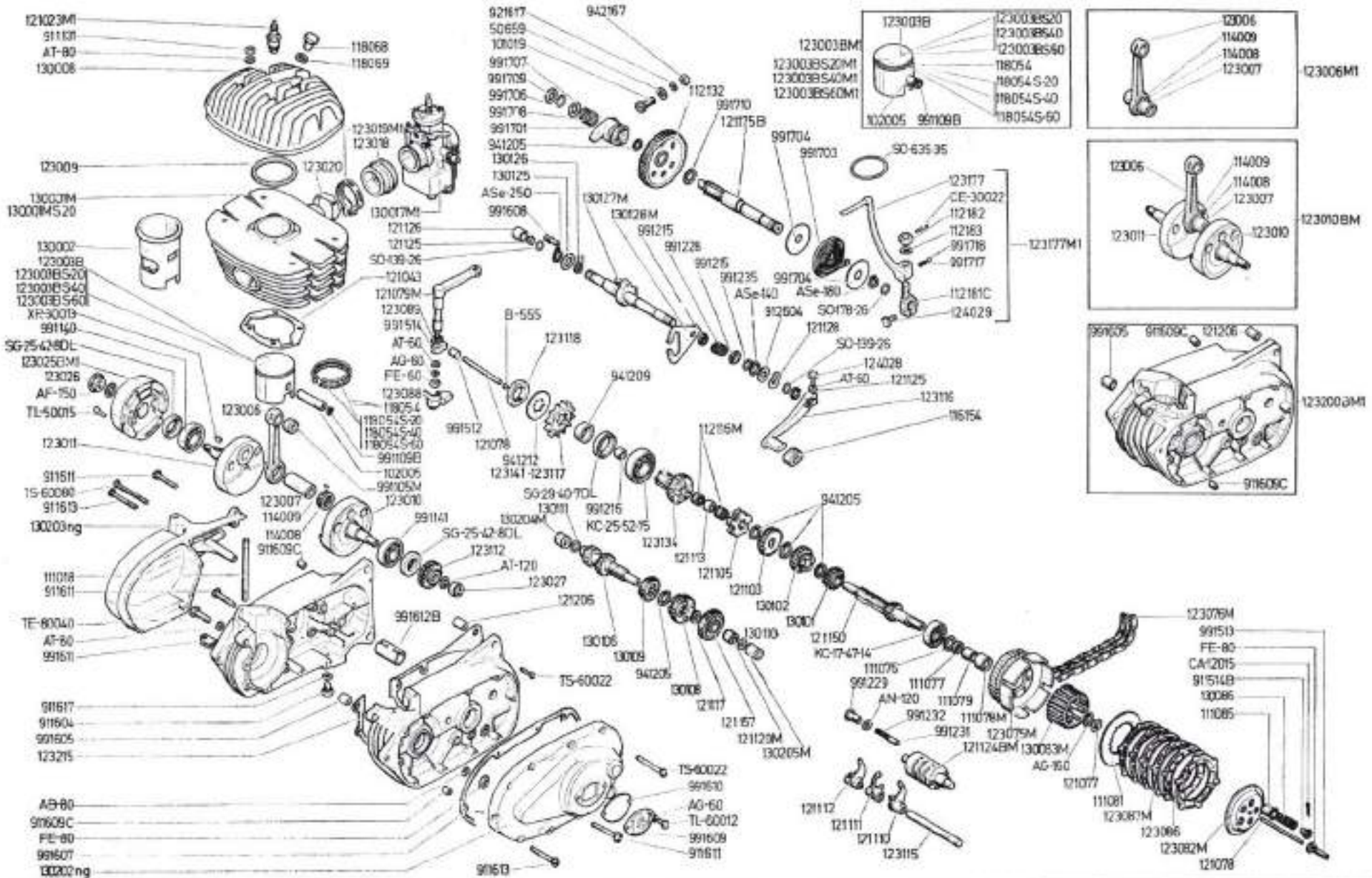
EDITION		
2		
2-76		

MODEL 250 AS-76

# ENGINE

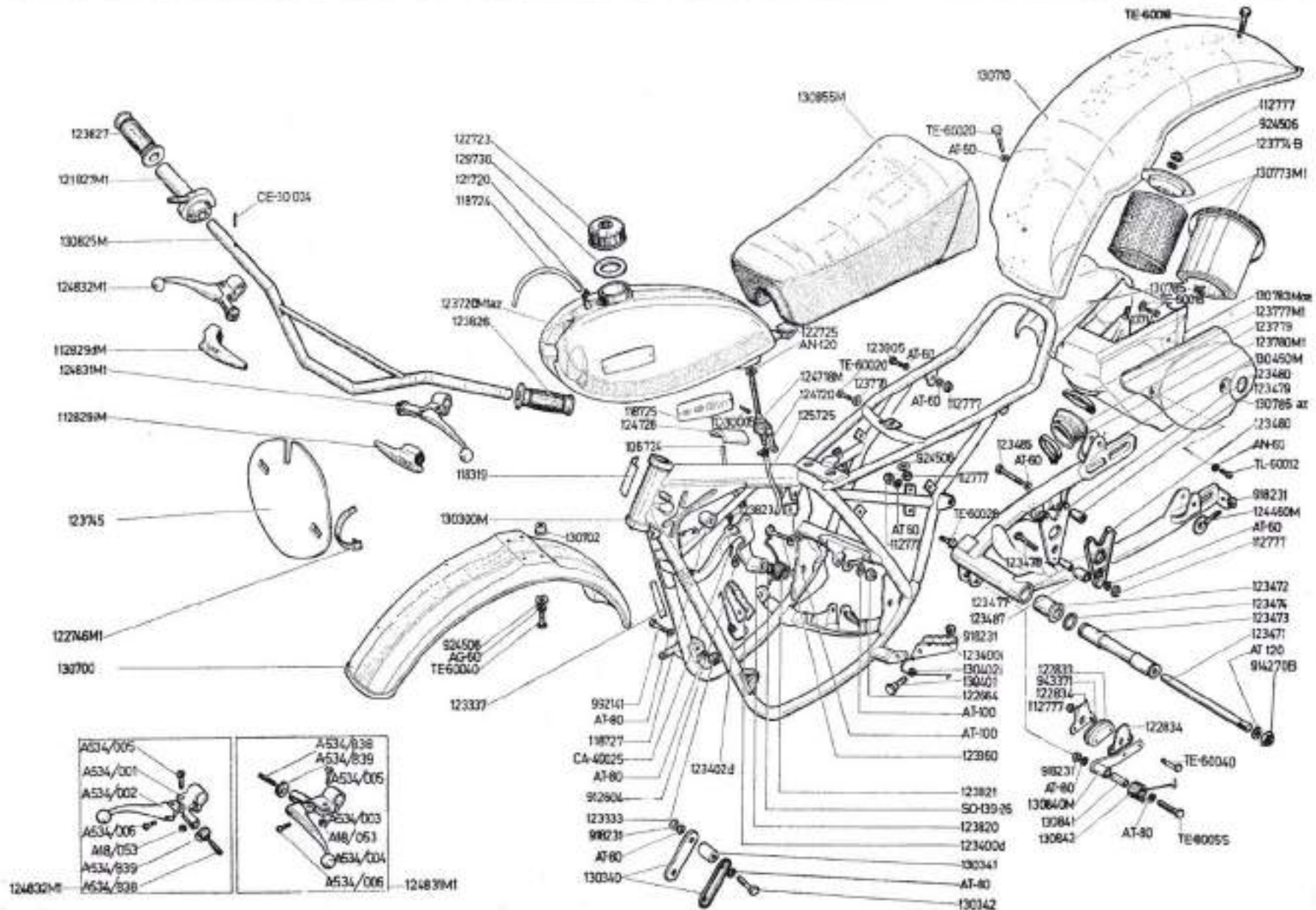
www.ustGP.com

1 SHEET



EDITION			
2			
2-76			

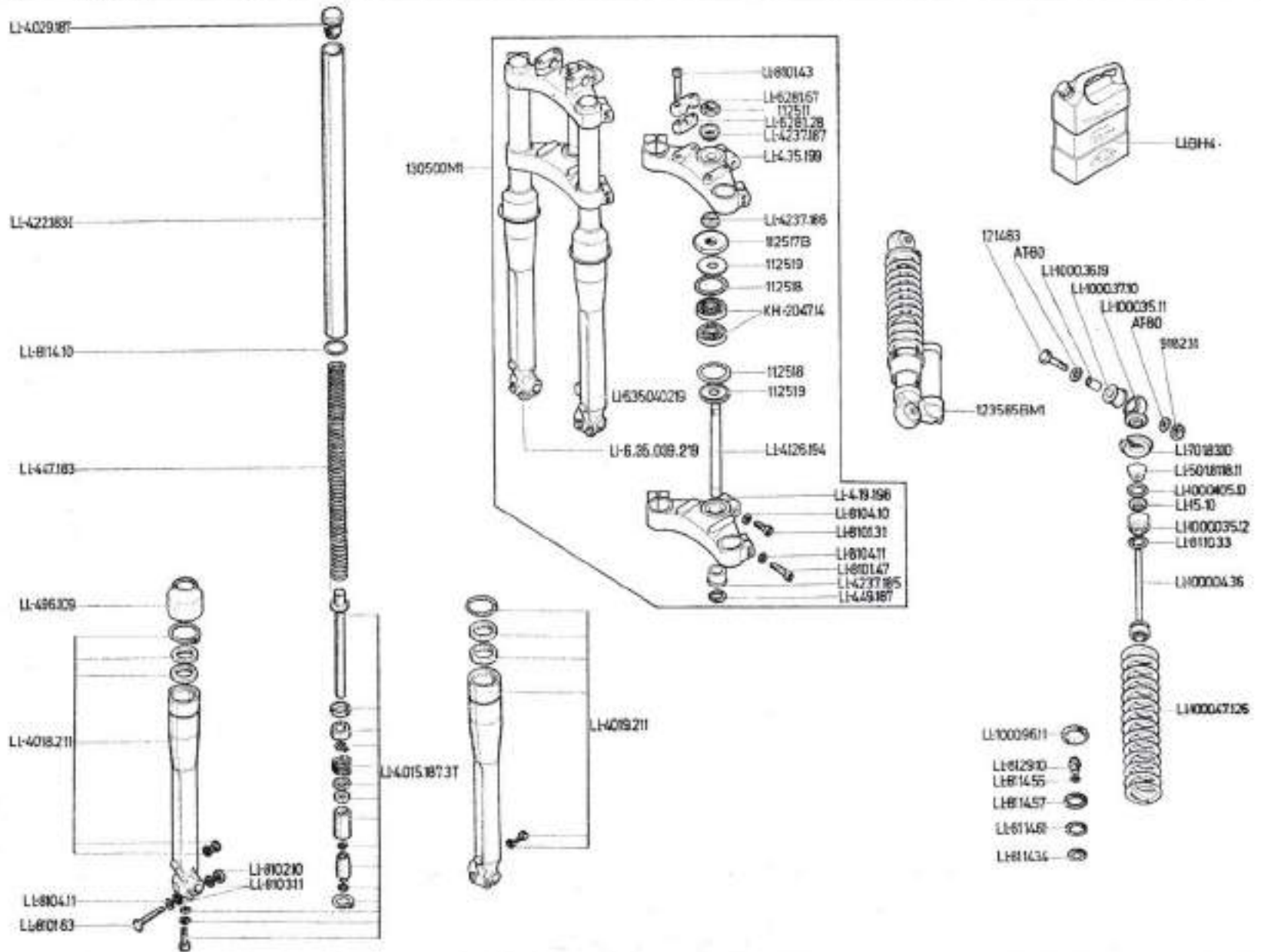
# FRAME





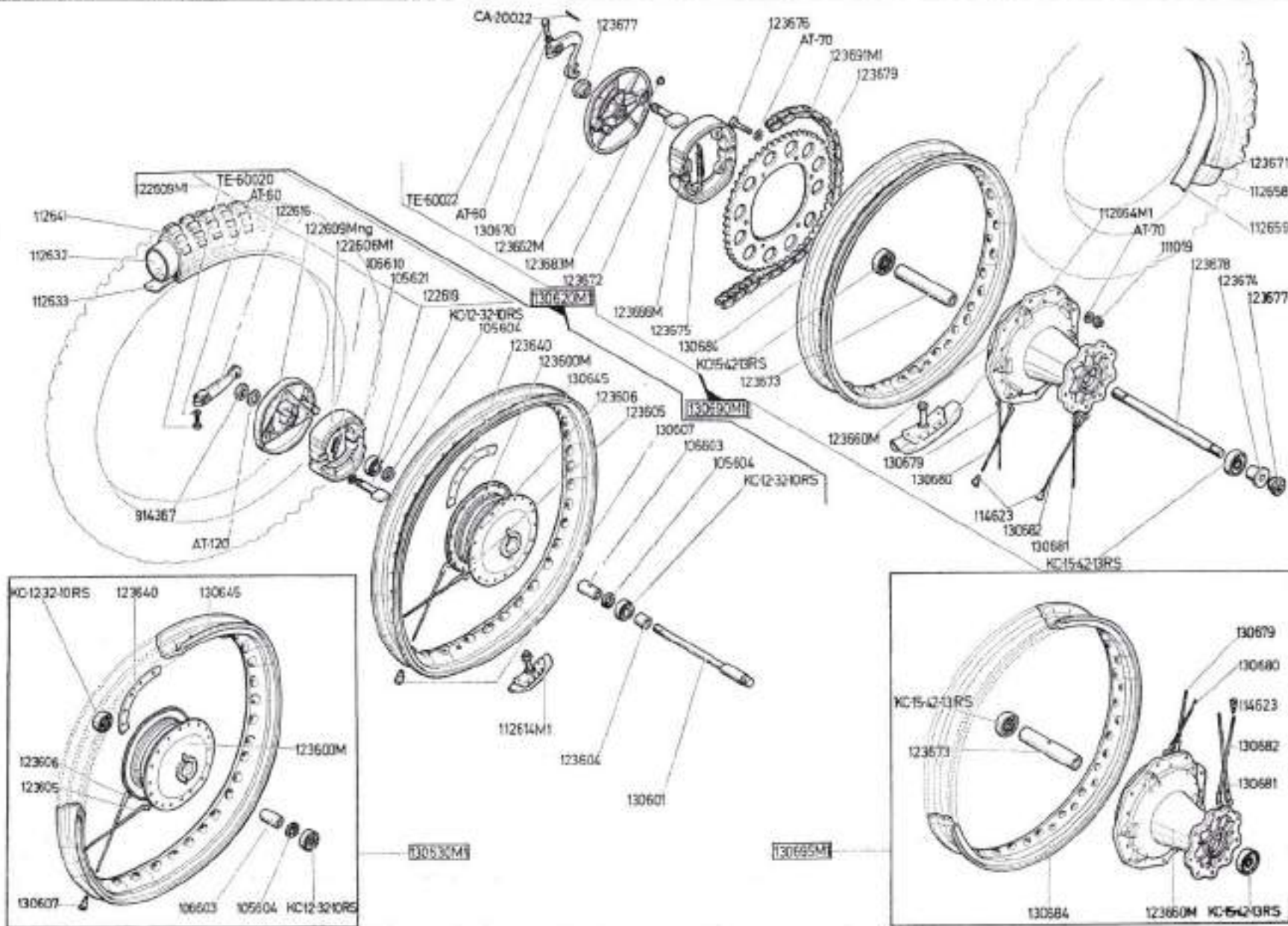
EDITION				
2				
2-76				

# SUSPENSION UNITS



EDITION			
2			
2-76			

# WHEELS



EDITION			
2			
2-76			

