



Sales division
Technical network leadership

WORKSHOP MANUAL



VIVACITY










TABLE OF CONTENTS.

TABLE OF CONTENTS.....	1
PRODUCTS DANGER SYMBOLS USED.....	3
CHARACTERISTICS.....	5
Engine.....	5
Capacities	5
Chassis	5
Dimensions and weight.....	6
Tyres	6
Brakes.....	6
SERVICE SCHEDULE AND COMMISSIONING.....	7
To be checked at each service.....	7
Service operations	7
Battery preparation (Except battery without maintenance)*	8
Installing the battery vent hose.	8
New machine preparation	8
SPECIAL IMPORTANT POINTS.....	9
Oil and fuel.....	9
Starting up after overhauling the engine.....	9
TIGHTENING TORQUES	10
Engine part	10
Body panels	10
Cycle part.....	11
Standard	11
SPECIAL TOOLS	12
LOCATION OF COMPONENTS.....	14






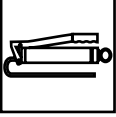


BODY PANELS	15
Location of body components	15
Body component sequence of disassembly	16
Removal of the rear storage compartment	17
Removal of the rear cover assembly and mudflap	17
Removal of the front storage compartment.....	19
Removal of the rear shield panel	19
Removal of the front shield panel.....	20
Removal of the footboard	21
Removal of the instrument cluster	22
SERVICE OPERATIONS.....	23
Removal of the spark plug	23
Replacing the air filter	23
Front brake pads	24
Replacing the brake pads	24
Checking the brake fluid level	25
Rear brake linings	26
Transmission	29
Checking the drive belt	31
Checking the clutch linings.....	31
Replacing the clutch lining assembly	32
Removal of the fuel filter	33
MISCELLANEOUS OPERATIONS	34
Removal of the fork.....	34
Replacing the bearings of the steering system.....	34
Steering system tightening method.....	36
Removal of the fuel pump	38
Removal of the fuel gauge	38
Removal of the fuel tank	38
Removal of the carburettor.....	40
Removal of the float, needle valve and jets.....	41
Removal of the engine speed adjuster screw and mixture control screw.	42
Reassembly	43
Removal of the power unit	45

PRODUCTS DANGER SYMBOLS USED

Protection of individuals and of the environment.

	Möbius band	Recyclable.	Means that the product or the package can be recycled. However, this does not guarantee that the product will be recycled.
	Irritant	The product can irritate the skin, eyes and respiratory organs.	Avoid contact with the skin and clothes. Wear gloves, safety glasses and appropriate clothes such as a cotton overall. Do not breath fumes. If in contact, wash thoroughly with water.
	Flammable	The product is flammable.	Keep it away from any flame or heat source (barbecue, radiator, heating device, etc.). Do not leave the product in the sun.
	Corrosive	The product can damage living tissues or other surfaces.	Avoid contact with the skin and clothes. Wear gloves, safety glasses and appropriate clothes such as a cotton overall. Do not breath fumes.
	Explosive	The product can explode under certain circumstances (flame, heat, impact, friction).	Avoid impacts, friction, sparks and heat.
	Hazardous to the environment	The product affects fauna and flora. Do not dump it in garbage cans, sinks or nature.	The ideal solution is to bring this product to your nearest household waste recycling centre.
	Toxic	The product can seriously affect health if it is inhaled, ingested or in contact with skin.	Avoid direct contact with the body even by inhalation. If you feel unwell, seek medical advice immediately.
	Do not throw away into a garbage can	One of the product's component is toxic and can be hazardous to environment. Ex. Used batteries.	This symbol informs the consumer that the used product shall not be thrown away into a garbage can, but shall be brought back to the merchant or dropped at a specific collection point.
	Compulsory gloves	Operation that can be dangerous for people.	People's safety can be seriously affected if the recommendations are not fully respected.

PRODUCTS DANGER SYMBOLS USED

	People's safety	Operation that can be dangerous for people.	People's safety can be seriously affected if the recommendations are not fully respected.
	Important	Operation that can be hazardous to the vehicle.	Indicate the specific procedures that shall be followed in order not to damage the vehicle.
	Good operating condition of the vehicle	The operation must be carried out in strict compliance with the documents.	Serious damage to the vehicle and in certain cases a cancellation of the warranty can be involved if the recommendations are not fully respected.
	Note	Operation that can be difficult.	Indicate a note which gives key information to make the procedure easier.
	Lubricate	Lubricate the parts to be assembled.	Indicate the specific procedures that shall be followed in order not to damage the vehicle.
	Grease	Grease the parts to be assembled.	Indicate the specific procedures that shall be followed in order not to damage the vehicle.
	Glue	Glue the parts to be assembled.	Indicate the specific procedures that shall be followed in order not to damage the vehicle.
	New part	Use a new part.	Indicate the specific procedures that shall be followed in order not to damage the vehicle.

CHARACTERISTICS**■ Engine**

Marking	B1E400MB
Type	2-stroke single-cylinder Horizontal cylinder
Cooling	By a circulation of forced air by means of a turbine on the flywheel magneto
Bore x stroke	39.9 x 39.8 mm
Cubic capacity	49.9 cc
Max. power output	3 kW at 7000 rpm
Max. torque rating	4 Nm at 5800 rpm
Compression	6 bars 700 rpm
Fuel supply	Carburettor. PZØ12
Lubrication	Separate lubrication by an electric pump driven by the Oil Pump Control Ignition Unit
Transmission	By 2 variable pulleys and V-type belt
Clutch	Centrifugal automatic
Exhaust	Catalytic
Starter motor	By kick starter or electric starter
Spark plug	NGK BPR7HS Electrode gap: 0.6 mm
Magneto flywheel	90 W

■ Capacities

Relay box oil	0.12 l SAE 80W90. Minimum grade: API GL4
Fork oil	0.85 l per tube (Esso Univis 46 or Agip HLift 46)
Fuel tank	8.5 l
Oil tank	1.3 l

■ Chassis

Chassis	Steel tube
Front suspension	Hydraulic telescopic fork. Ø32 mm Travel: 75 mm
Rear suspension	Combined spring and hydraulically-damped shock absorber Travel: 65 mm

■ **Dimensions and weight**

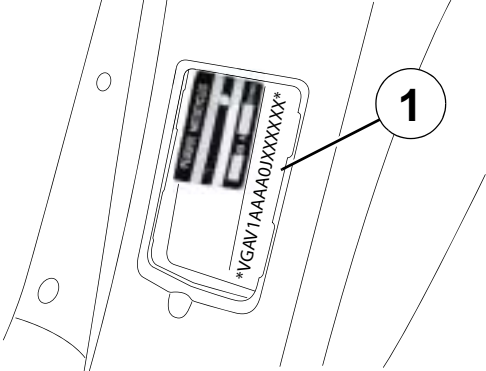
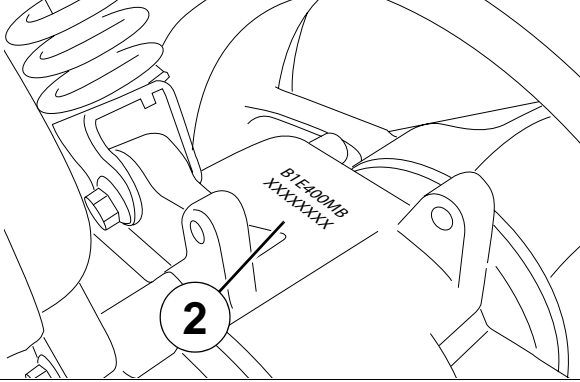
Overall length	1923 mm
Width at handlebar	670 mm
Height. (without rear-view mirrors)	1170 mm
Wheelbase	1337 mm
Saddle height	786 mm
Unladen weight	95 kg

■ **Tyres**

Front wheel rim	12 inch aluminium alloy
Front tyre	120/70 - 12
Front tyre pressure	1.8 bars
Rear wheel rim	12 inch aluminium alloy
Rear tyre	120/70 - 12
Rear tyre pressure	2 bars

■ **Brakes**

Front brake	Single disc type, hydraulic control
Disc diameter and thickness	200 mm - 3.5 mm
Rear brake	cable-controlled, single cam drum type
Brake drum diameter	110 mm
Brake lining thickness	4 mm

Chassis markings	Engine marking
	
(1) number and manufacturer's plate	Engine number. (2)

SERVICE SCHEDULE AND COMMISSIONING

Heavy duty servicing applies to vehicles used under rugged operating conditions: door-to-door deliveries, intensive urban use (courier), short journeys with engine cold, dusty areas, ambient temperature over 30°C.

Service operations	500 kms or 1 months	Every 5000 kms	Every 10000 kms	Every 20000 kms
Heavy duty servicing	500 kms	Every 2500 kms	Every 5000 kms	Every 10000 kms

■ To be checked at each service

Throttle cable play	V	V	V	V
Steering column play	V	V	V	V
Operation of electrical equipment	V	V	V	V
Condition of front and rear brake hydraulic controls*	V	V	V	V
Brake fluid level*	V	V	V	V
Front brake pad wear	V	V	V	V
Rear brake lining wear	V	V	V	V
Condition of petrol pipes	V	V	V	V
Condition of oil pipes	V	V	V	V
Tyre condition, pressure and wear	V	V	V	V
Condition of the front suspension. Condition of the rear suspension.	C	C	C	C
Battery electrolyte level. Battery charge	C	C	C	C
Tightness of nuts and bolts	V	V	V	V
Headlight height adjustment	V	V	V	V
Overall functioning. Road test	V	V	V	V

■ Service operations

Spark plug		R	R	R
Air filter		V	R	R
Drive pulley bearings and guides		C	R	R
Transmission belt		V	R	R
Kick starter mechanism			G	G
Setting the carburettor		V	V	V
Petrol filter				R
Fork oil				R
Brake fluid		Once every 2 years		
■ Time required for maintenance				
Code	9100	9300	9400	9600
Time required for maintenance	0.5	1.3	1.4	2

V: Check, clean, adjust.

R: Change.

G: Check, clean, lubricate.

C: Inspect and change if necessary.

* Depending on equipment.

■ **Battery preparation (Except battery without maintenance)***

Remove the battery.

Remove the 6 filler caps and the vent plug.

Fill all the battery cells with electrolyte to the upper level shown on the battery "UPPER LEVEL".

Electrolyte: (35% sulfuric acid = 1.28 g/cm³). 0.5 litre can P/N 739733.

Leave the battery to stand for around half an hour.

Top up if necessary.

Charge the battery for at least 2 hours with a current of 0.4 A.

Refit the battery and connect the vapour vent pipe.

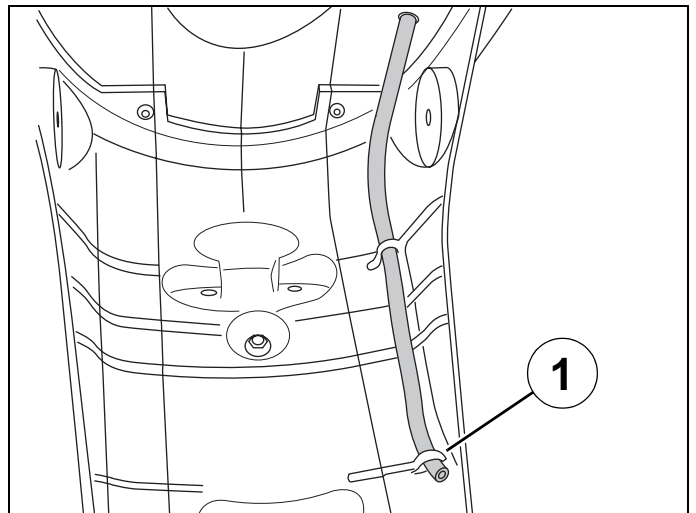
Connect the red wire lug to the battery's + terminal, and the green wire lug to the battery's - terminal.

Then, the battery level should be topped up if necessary, after fully charging, using distilled water only.

* Depending on equipment.

Installing the battery vent hose.

- After being disconnected from the battery, the vent hose must be routed through the 2 holders located in the rear splash guard.
- Cut the vent hose 1 cm after the second holder.(1)



■ **New machine preparation**

Check the tightness of the carburettor float chamber drain screw.

Check the wheel nuts are tight.

Check nuts and bolts are tight.

Check brake adjustment and efficiency.

Check the tyre pressures cold.

Check operation of the lights, flashers, horn, and brake light.

Check the different warning lights work.

Carry out a road test.

SPECIAL IMPORTANT POINTS

■ Oil and fuel



This engine is designed to run on 95 or 98 unleaded fuel only.



Fuel pipes must absolutely be changed if there are any signs of wear, cracks, etc.

The air pipe between the air pump and the exhaust is specific owing to its heat resistance properties.

Should it be changed, replace it with a genuine pipe

The clips are specific, they must always be changed each time they are removed and replaced with new genuine parts clips.



Petrol is highly inflammable, do not smoke in the working area and avoid proximity to flames or sparks.

Before carrying out any work, leave the engine to cool for at least 2 hours.

■ Starting up after overhauling the engine

The oil pump must be drained in accordance with the recommended procedures.

The light comes on when the ignition is turned on to check it is operational and comes off as soon as the engine starts if there is no incident.

When starting the engine hot or cold do not accelerate.

TIGHTENING TORQUES**■ Engine part**

Drive pulley	40 Nm
Driven pulley	45 Nm
Clutch plate and shoes	40 Nm
Transmission cover	10 Nm
Relay box cover	10 Nm
Stator	10 Nm
Engine speed sensor	5 Nm
Rotor	40 Nm
Turbine	7 Nm
Starter motor	10 Nm
Spark plug	20 Nm
Cylinder head	12 Nm
Inlet manifold	10 Nm
Crankcase	10 Nm

■ Body panels

Front mudguard	8 to 10 Nm
Handlebar cover	2 to 4 Nm
Front shield panel	2 to 4 Nm
Rear shield	2 to 4 Nm
Bottom panel	2 to 4 Nm
Floor panel	6 to 8 Nm
Saddle storage compartment	8 to 10 Nm
Rear panels	6 to 8 Nm
Grab handle	20 to 25 Nm
Rear mudguard	2 to 4 Nm

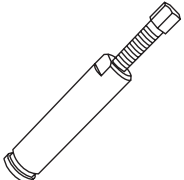
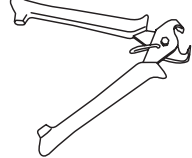
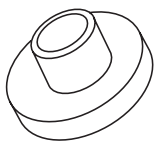
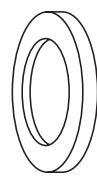
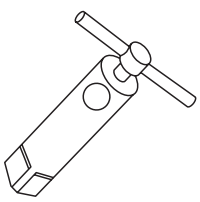


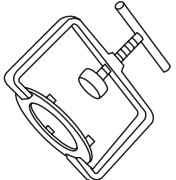

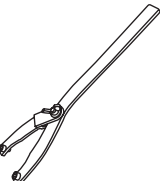
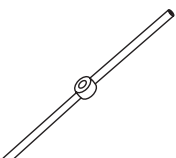
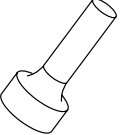
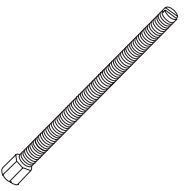
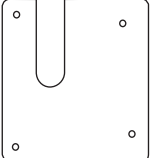
■ Cycle part

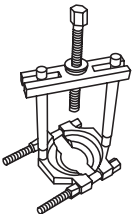
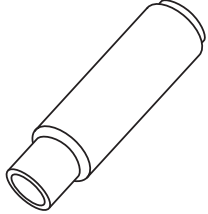
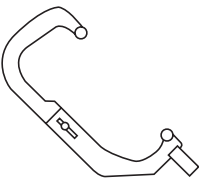
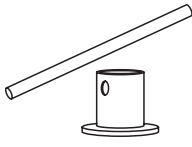
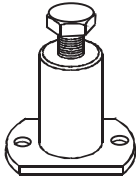
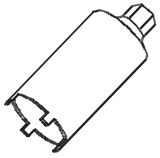
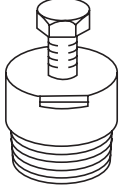
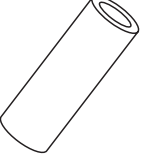
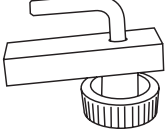
Front wheel spindle	65 Nm
Rear wheel spindle nut	100 Nm
Linkrod to engine pivot	60 Nm
Linkrod to frame pivot	60 Nm
Shock absorber top mount	45 Nm
Shock absorber bottom mount	22 Nm
Exhaust to cylinder mounting nut	15 Nm
Exhaust to casing mounting bolt	20 Nm
Upper cone (in 2 operations)	40/23 Nm
Upper cone locknut	Hand tightened
Steering locknut	70 Nm
Front brake caliper	25 Nm
Front brake disc	22 Nm
Handle bar	25 Nm

■ Standard

Nut and bolt 5 mm diameter	5 Nm
Nut and bolt 6 mm diameter	10 Nm
Nut and bolt 8 mm diameter	22 Nm
Nut and bolt 10 mm diameter	35 Nm
Nut and bolt 12 mm diameter	55 Nm

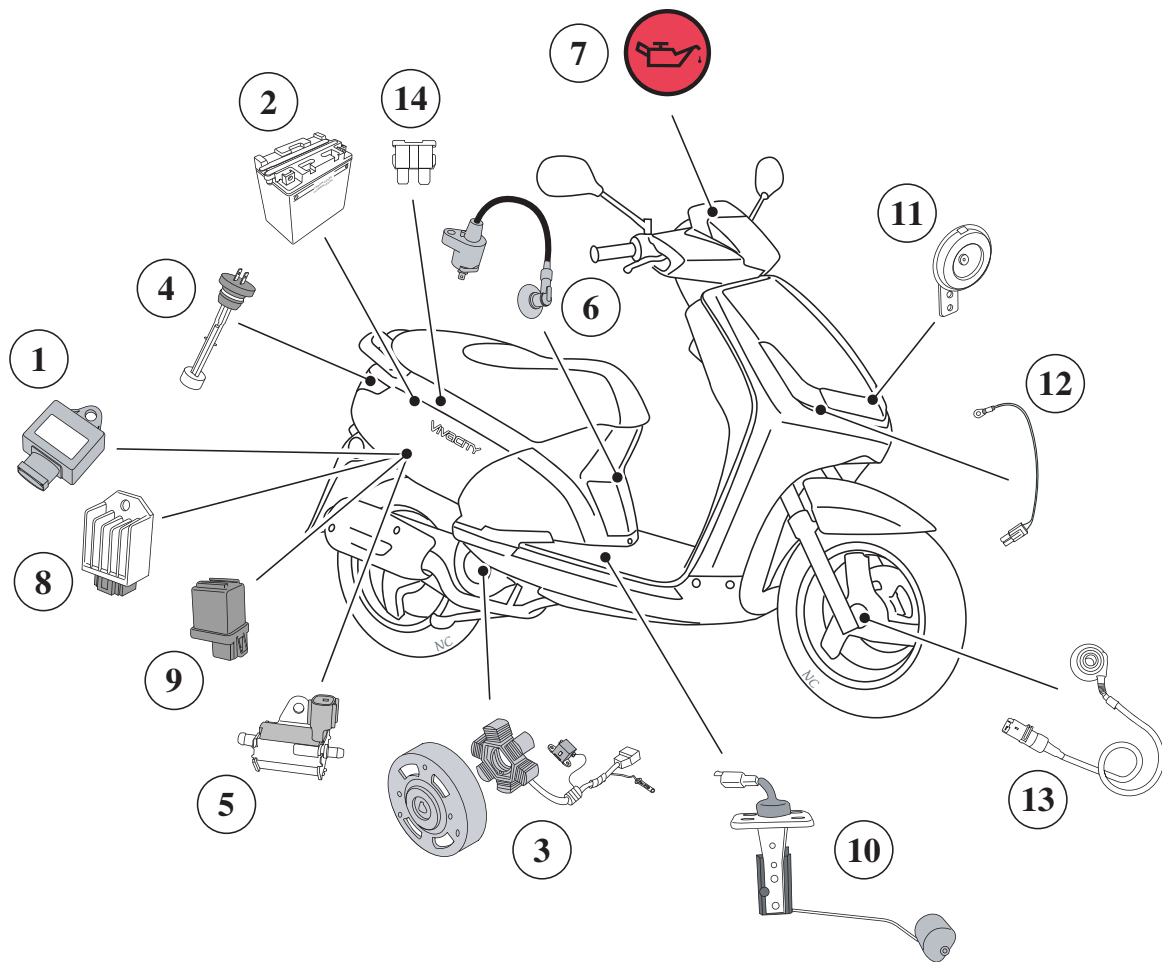
SPECIAL TOOLS

	Tool N°	Designation	Used with		Tool N°	Designation	Used with
	64706	Casing extractor and opening tool	754006 750069		750539	Tie-wrap pliers	
	64710	Shouldered centering tool	64706		750808	Thrust washer	64706
	64765	Engine mount	755982		752000	Piston circlip pliers	
	68007	Protective end-piece small model	755985		752127	Clutch compression tool	756725
	69098	Protective end-piece large model	64706		752237	Adjustable pin wrench	
	69104	Pin nut	750069		753726	Steering head cup push tool	
	750069	Pin Ø10 pitch 125	69104		754006	Modified casing opening plate	67706

	Tool N°	Designation	Used with		Tool N°	Designation	Used with
	755585	Bearing extractor tool			756668	Crank assembly lip seal tool	
	755982	Engine mount adapter	64765		756725	38 mm pipe wrench	752127
	755983	Casing opening tool	68007		757860	Steering tool	
	755985	Flywheel puller	68007		757990	Steering head cup push tool	
	755996	Hose clamp					

(*) New or modified tool.

LOCATION OF COMPONENTS



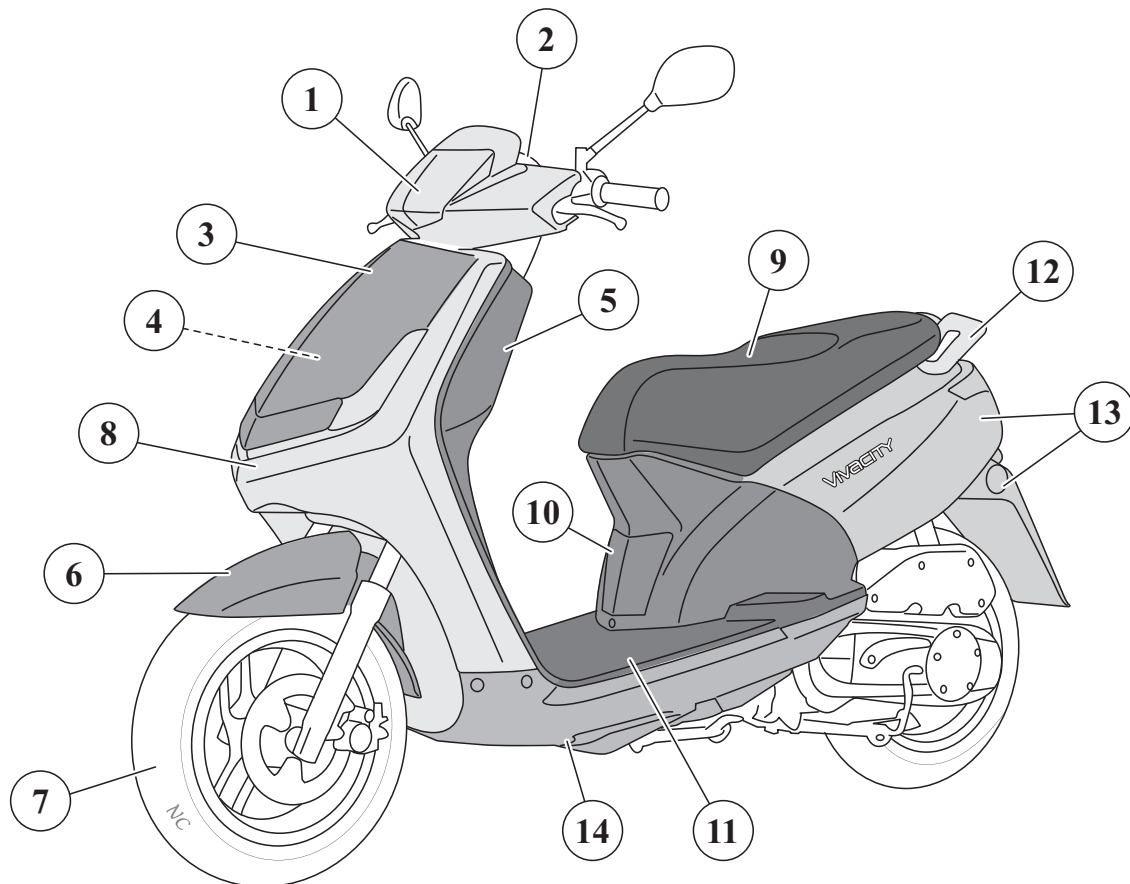
- 1. Oil pump control unit
- 2. Battery
- 3. Ignition sensor
- 4. Oil level indicator
- 5. Oil pump
- 6. HT coil
- 7. Low oil level warning light

- 8. Regulator
- 9. Starter motor relay
- 10. Fuel gauge
- 11. Horn
- 12. Outside temperature sensor
- 13. Speed sensor

BODY PANELS

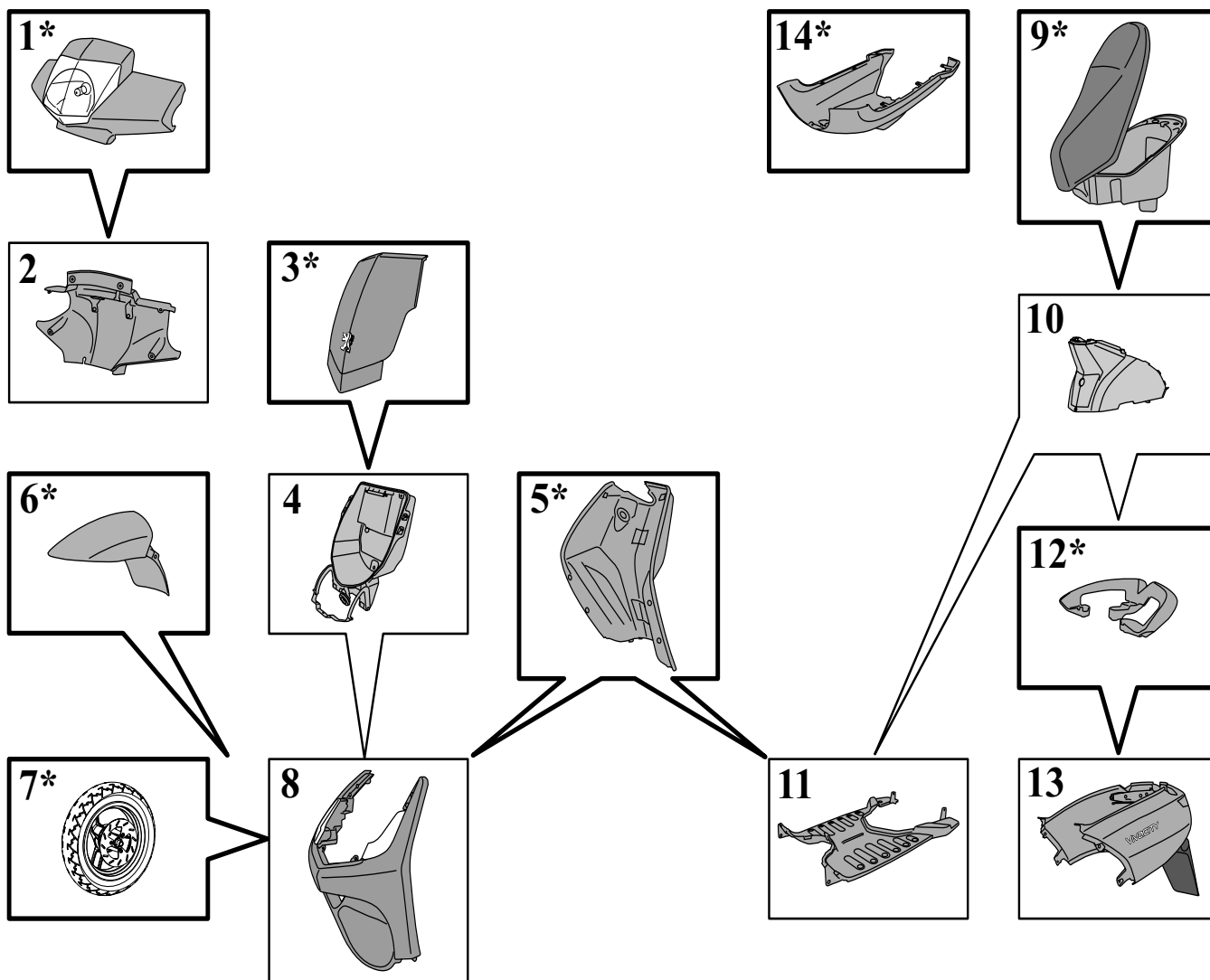
■ **Location of body components**

Description.



- | | |
|------------------------------|-----------------------------------|
| 1. Handlebar front fairing | 8. Front shield panel |
| 2. Handlebar rear fairing | 9. Saddle and storage compartment |
| 3. Tool compartment cover | 10. Central panel |
| 4. Front storage compartment | 11. Footboard |
| 5. Rear shield | 12. Grab handle |
| 6. Front mudguard | 13. Rear panels |
| 7. Front wheel | 14. Bottom panel |

■ Body component sequence of disassembly



- 1. Handlebar front fairing
- 2. Handlebar rear fairing
- 3. Tool compartment cover
- 4. Front storage compartment
- 5. Rear shield
- 6. Front mudguard
- 7. Front wheel

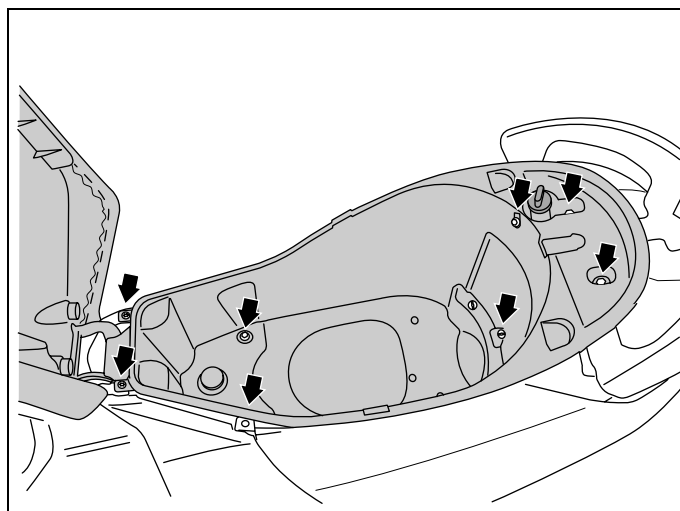
- 8. Front shield panel
- 9. Saddle and storage compartment
- 10. Central panel
- 11. Footboard
- 12. Grab handle
- 13. Rear panels
- 14. Bottom panel

*This item may be removed on its own.

■ Removal of the rear storage compartment

Procedure 1.

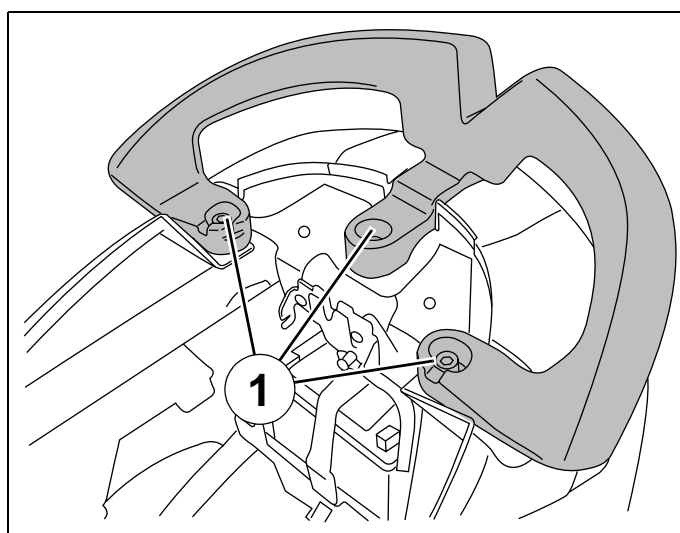
- Lift the saddle.
- Remove the storage compartment. (8 screw).
- Disconnect the accessory plug.



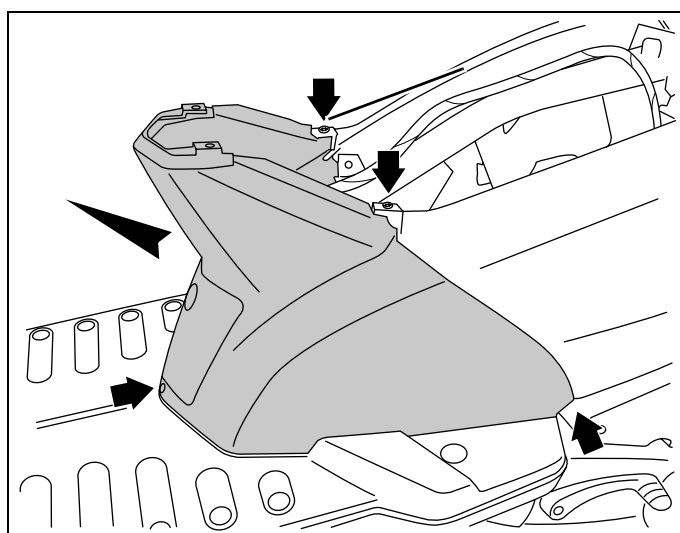
■ Removal of the rear cover assembly and mudflap

Procedure 2.

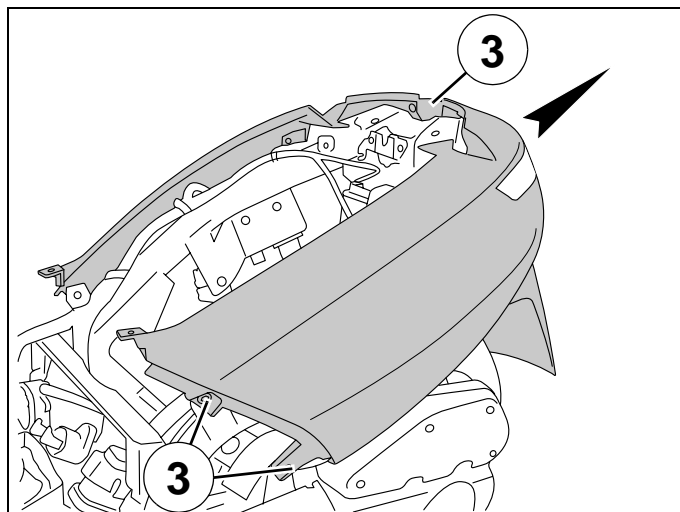
- Remove the rear storage compartment. See: Procedure 1. page 17.
- Remove the grab handle. (3 screw). (1)



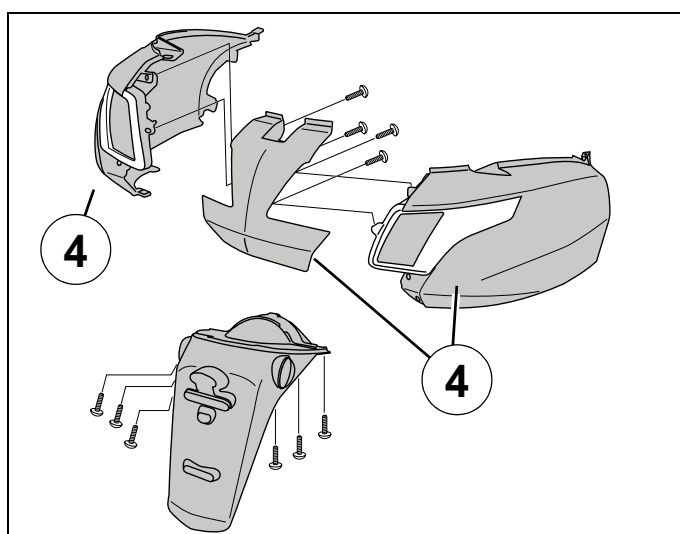
- Remove the central cover panel.(5 screw).



- Remove the rear cover assembly. (5 screw)
(3)
- Disconnect the taillights.



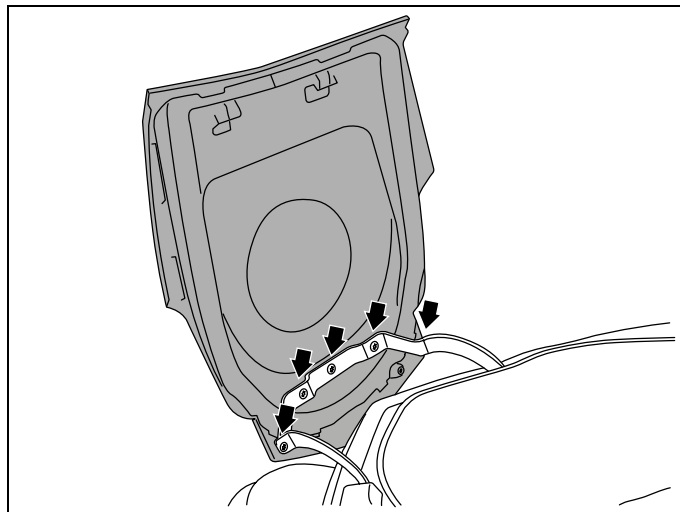
- Remove the splash guard. (6 screw)
- Separate the 3 fairings. (4)



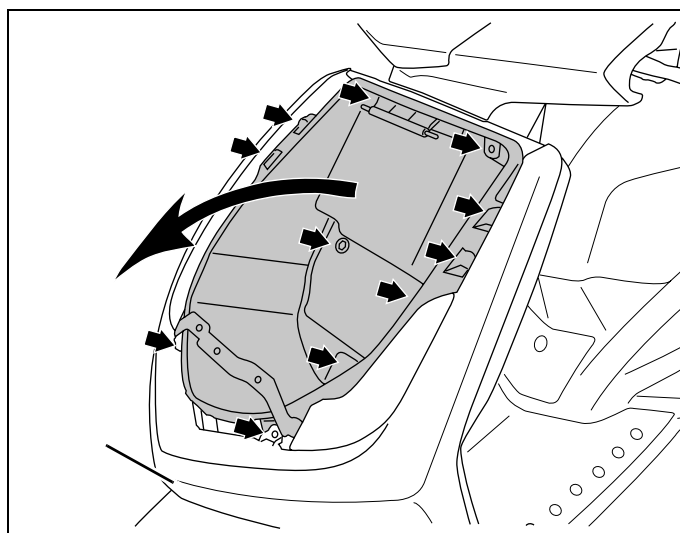
■ Removal of the front storage compartment

Procedure 3.

- Remove the storage compartment lid.
(5 screw)



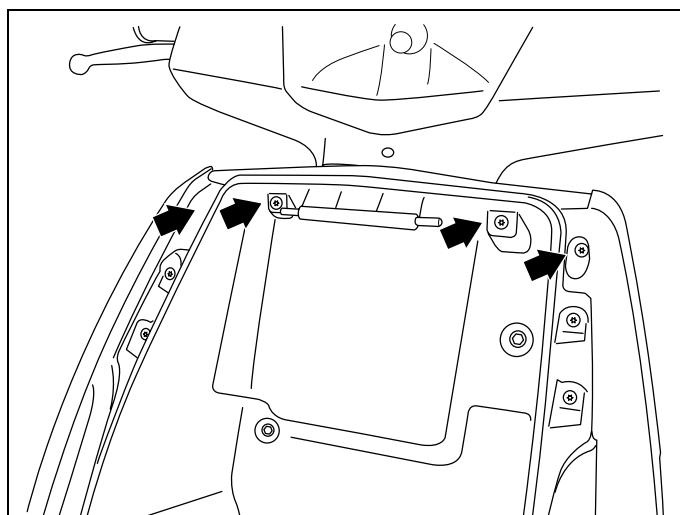
- Remove the storage compartment.
(11 screw)
- Disconnect the horn.



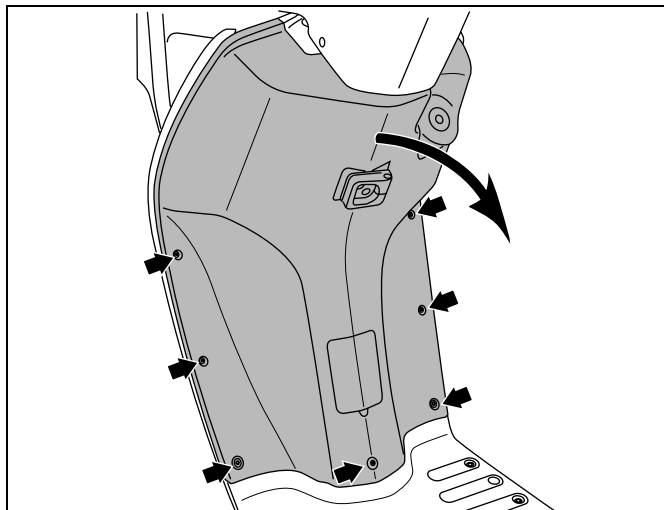
■ Removal of the rear shield panel

Procedure 4.

- Remove the 4 upper screws that secure the rear shield panel.

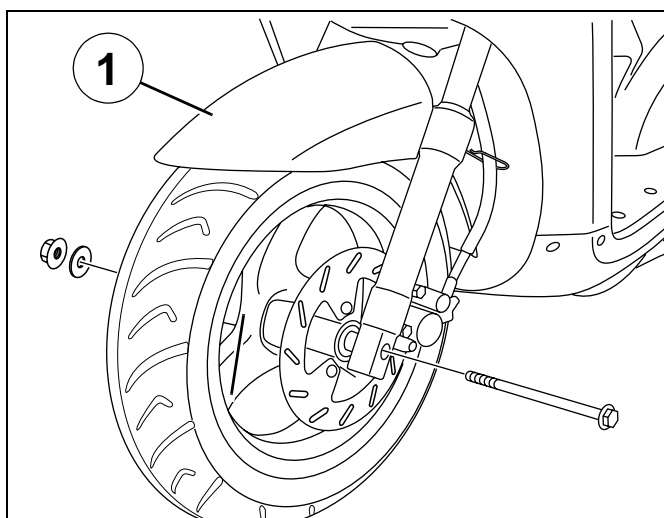


- Remove the 7 screws that secure the rear shield panel.
- Remove the rear shield panel.



■ **Removal of the front shield panel**

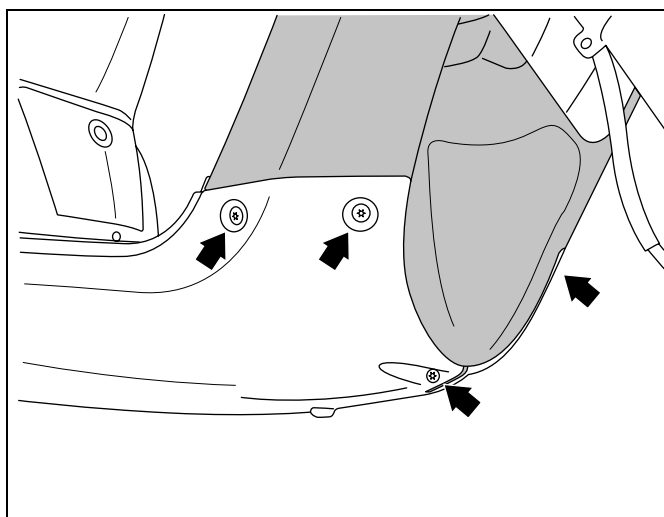
- Remove the front storage compartment. See: Procedure 3. page 19.
- Remove the rear shield panel. See: Procedure 4. page 19.
- Remove the wheel spindle nut.



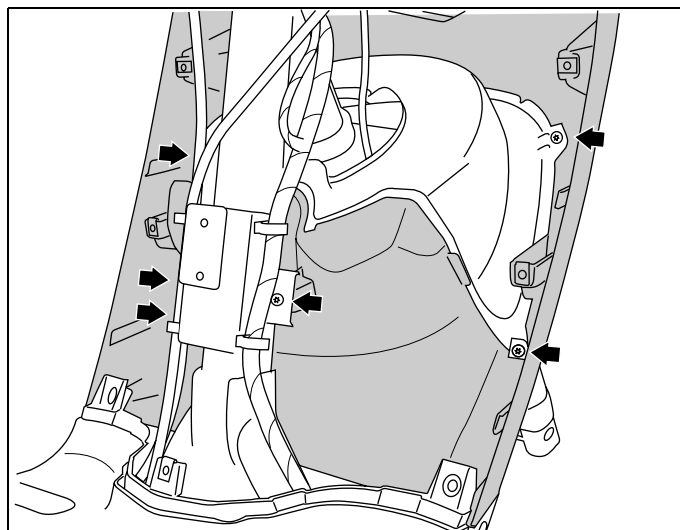
N	When re-installing, use a new nut.
----------	---

- Remove the front wheel.
- Remove the front mudguard.(1). (4 screw)

- Remove the 5 screws that secure the front shield panel.



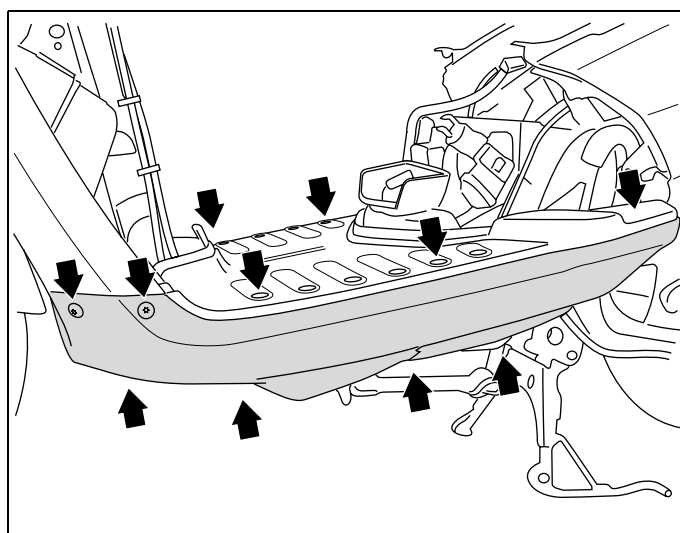
- Disconnect the turnsignal lights.
- Disconnect the outer temperature sensor.
- Remove the 6 screws that secure the front shield panel.
- Unclip the mud splash guard from the front leg shield panel.
- Remove the front shield panel.



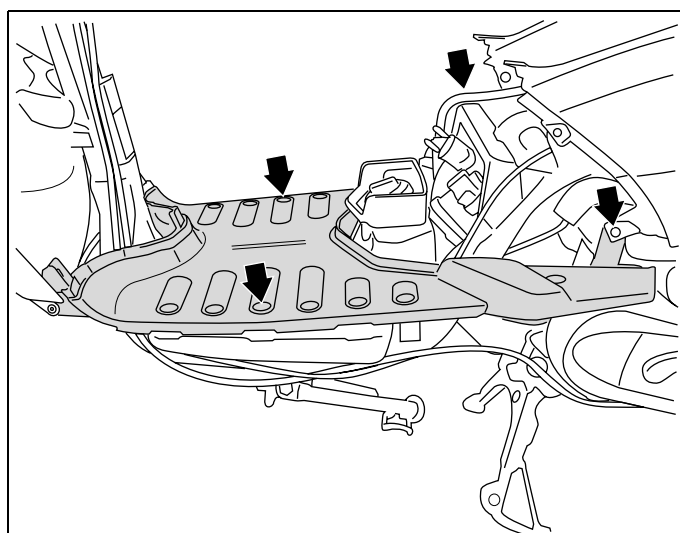
■ **Removal of the footboard**

Procedure 5.

- Remove the rear storage compartment. See: Procedure 1. page 17.
- Remove the central cover panel. (5 screw).
- Remove the rear shield panel. See: Procedure 4. page 19.
- Remove the bottom panel. (14 screw)

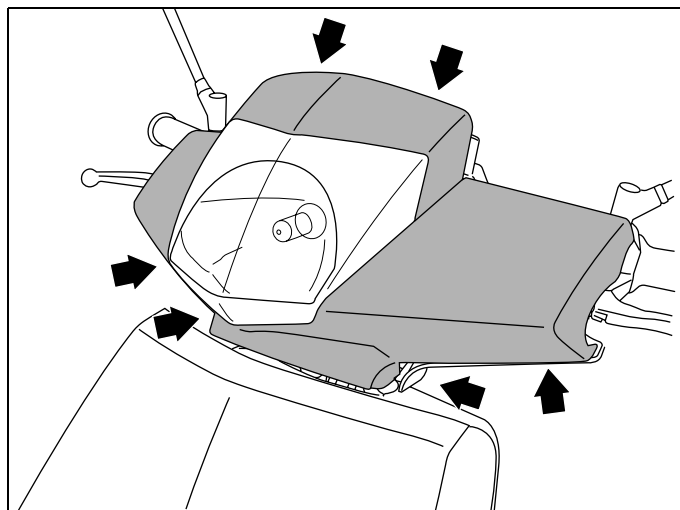


- Remove the footboard. (4 screw)

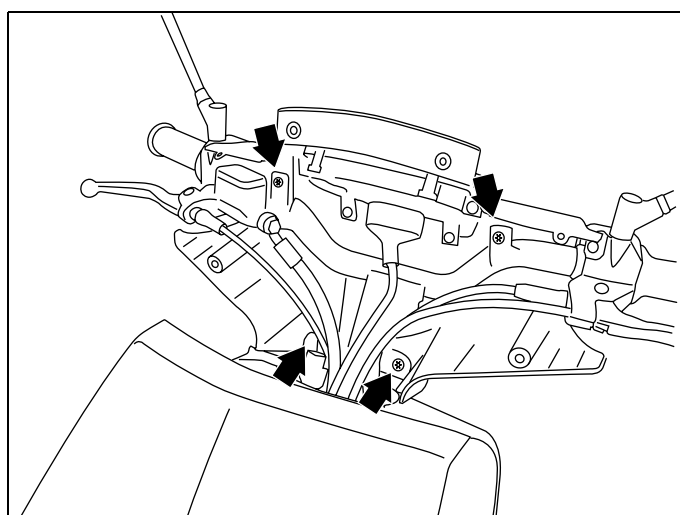


■ **Removal of the instrument cluster**

- Remove the handlebar front cover.
(6 screw)



- Disconnect the instrument cluster.
- Remove the handlebar rear cover and instrument cluster assembly. (4 screw)
- Remove the instrument cluster. (4 screw)



SERVICE OPERATIONS

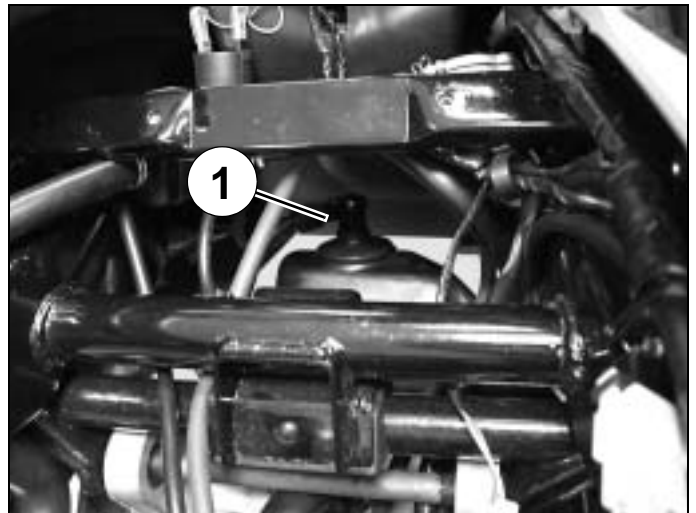
■ Removal of the spark plug

- Remove the rear storage compartment. See: Procedure 1. page 17.
- Disconnect the suppressor.(1)
- Remove the spark plug.

Essential precautions: When re-installing, screw in the spark plug (a few turns) by hand.

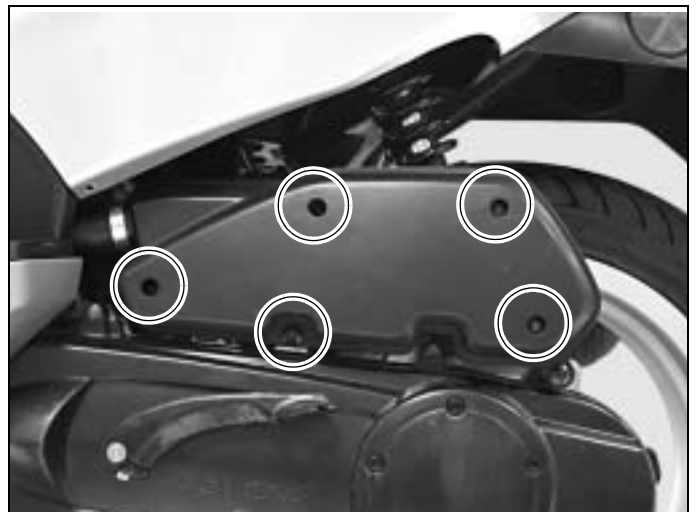
- Tighten the spark plug.

Tightening torque: 20 Nm.

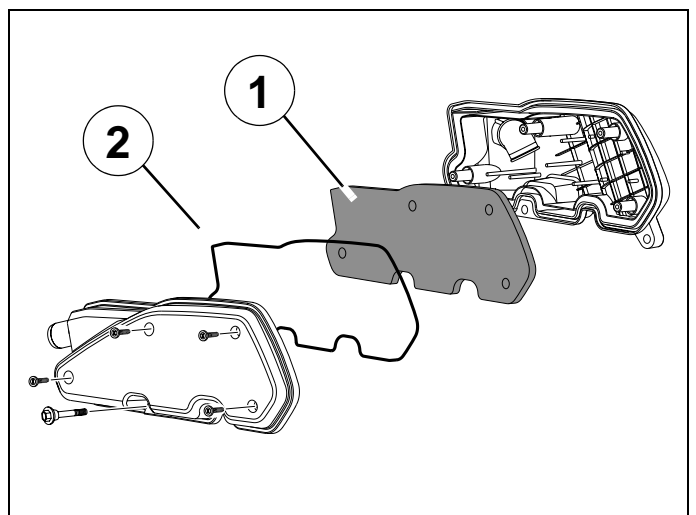


■ Replacing the air filter

- Remove the air filter cover (5 bolts) and its seal.
- Remove the air filter. (1)
- Clean inside the air filter box.

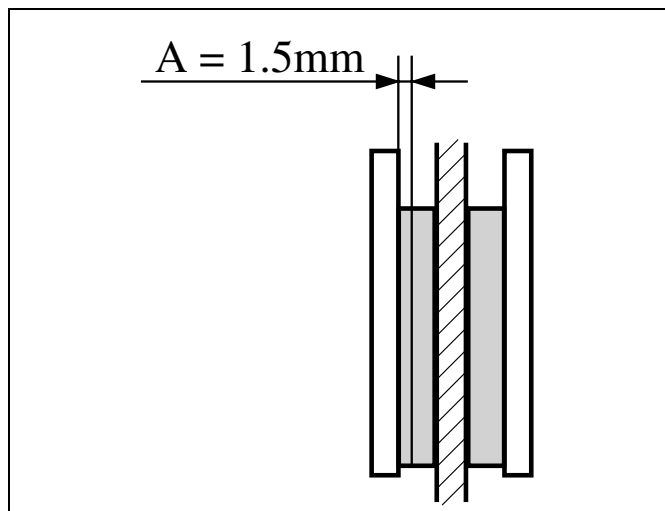


- Lubricate the air filter with a special purpose oil for air filters and squeeze out the excess oil.
- Fit the air filter.
- Fit the gasket. (2)
- Install the air filter cover.



■ **Front brake pads**

- If one of the 2 brake pads is worn down to the minimum dimensions (A), the 2 brake pads must be changed.
- A. Mini. thickness: 1.5 mm.



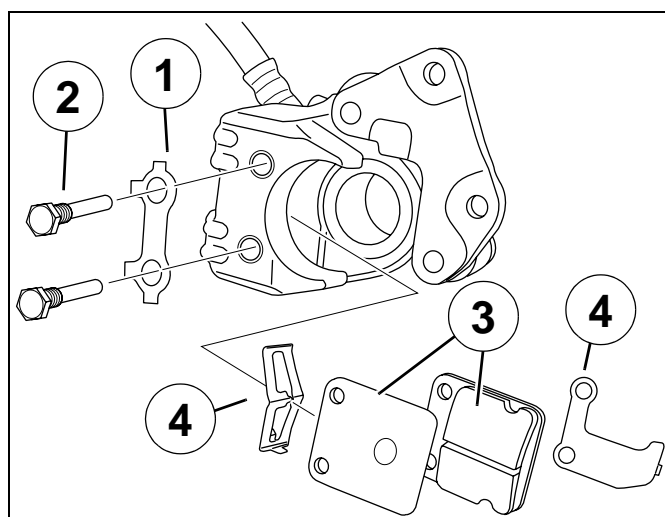
■ **Replacing the brake pads**

- Remove the calliper. (2 screw)

Tightening torque: 25 Nm.



- Straighten the retainer in order to release the 2 pins. (1)
- Remove the 2 spindles (2).
- Remove the brake pads (3) and the anti-vibration plates (4).

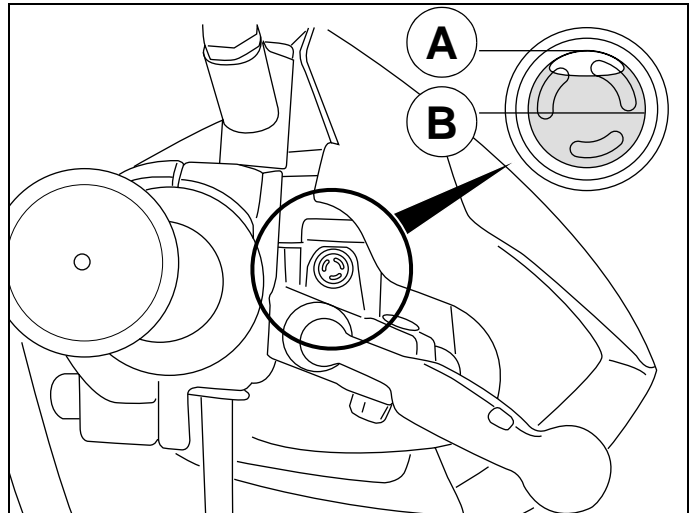


	When refitting the brake pads, push the pistons all the way into their housing.
	When re-installing, use a new pin retainer.
	After refitting, actuate the brake levers several times to bring the brake pads against the brake disc.

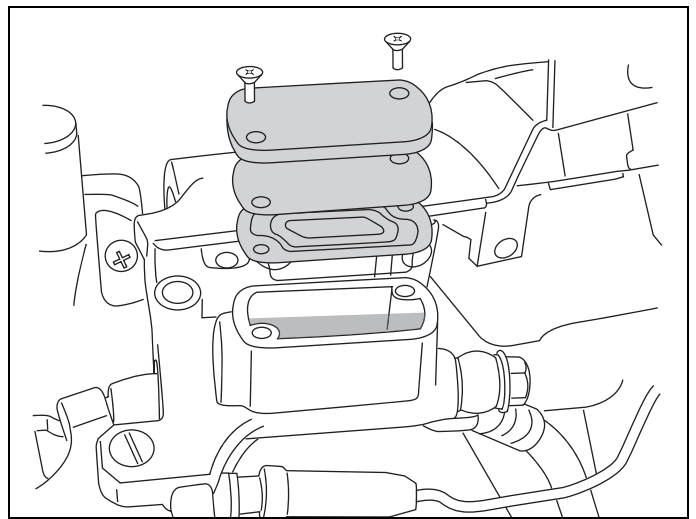
■ Checking the brake fluid level

- Position the handlebars so that the master cylinder will be horizontal.
- Check the brake fluid level and if necessary top up in the master cylinder.

- A. Maximum brake fluid level.
- B. Minimum brake fluid level.

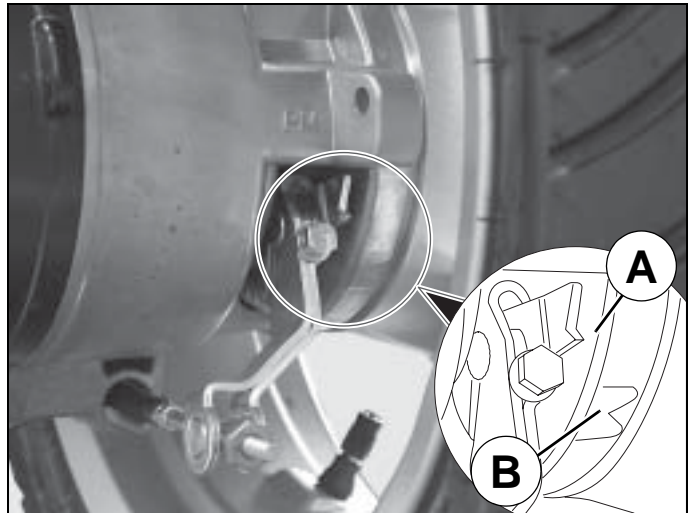


- Remove the handlebar front cover. (6 screw)
- Remove the cover and the diaphragm from the master cylinder. (2 screw)
- Add brake fluid until it reaches the maximum level.



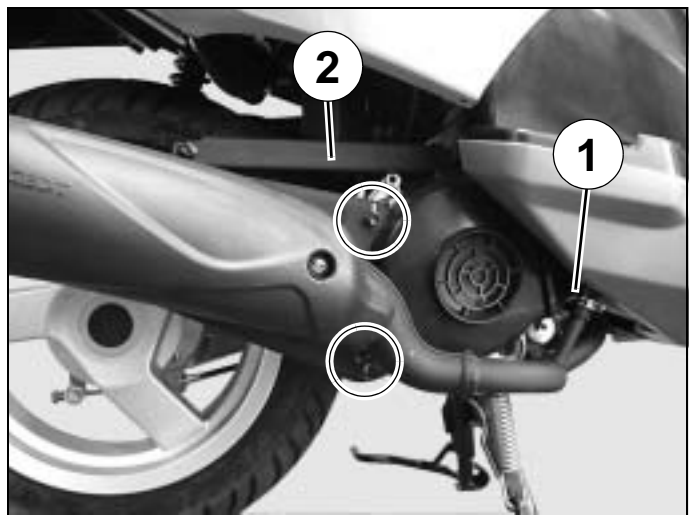
■ **Rear brake linings**

- Operate the brake lever and check the position of the wear mark on the cam tierod (A) in relation to the mark (B) on the engine housing.
- If the cam tierod mark is lined up or passes the wear mark on the engine housing, the brake lining must be replaced.



Disassembly.

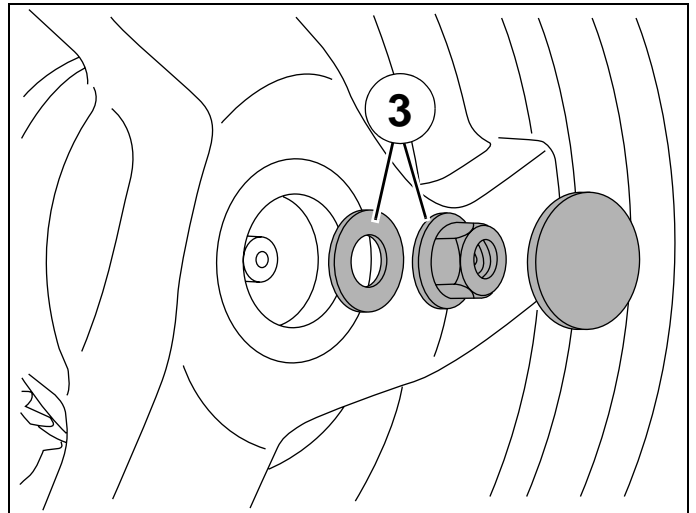
- Disconnect the air hose from the exhaust. (1)
- Remove the exhaust holder plate. (2)(2 screw)



- Remove the exhaust. (2 screws and 2 nuts)

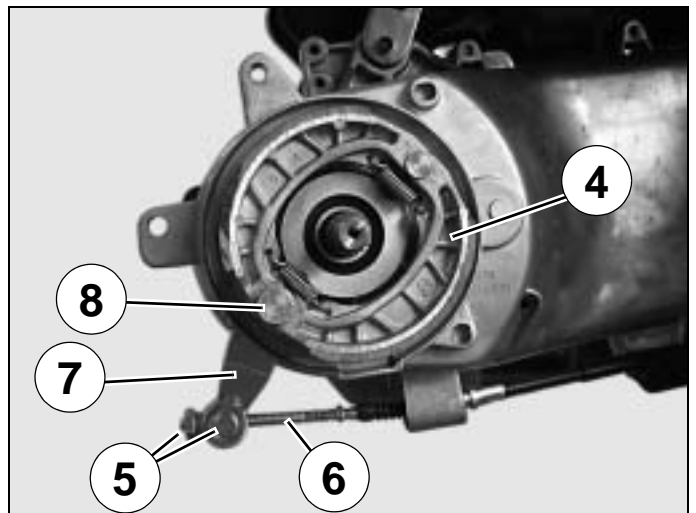


- Remove the wheel spindle nut and washer. (3)
- Remove the rear wheel.

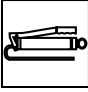


When re-installing, use a new nut.

- Remove the brake linings. (4)
- Remove the adjusting nut, the barrel (5) and the brake control cable. (6)
- Remove the brake arm (7), the brake cam (8) and the spring.



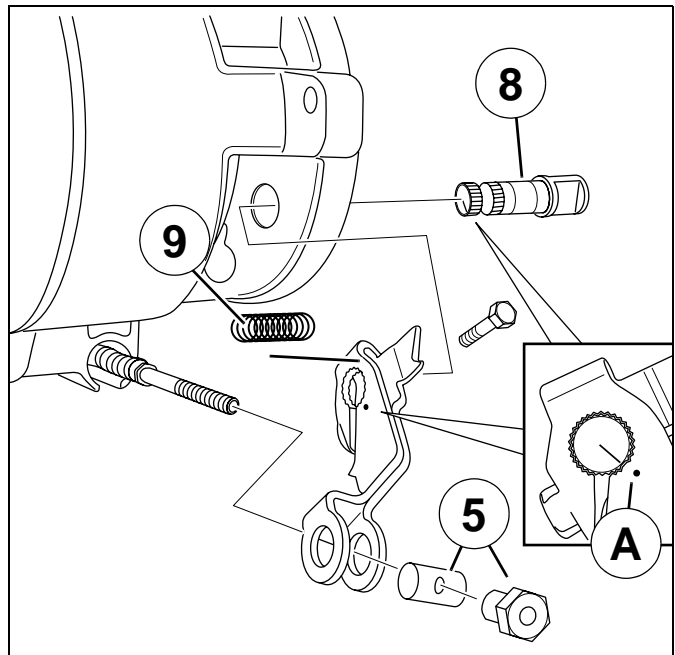
Reassembly.

	<p>Lubricate the brake cam and fit it into the casing.</p>
---	---

- Fit the brake arm onto the cam and align the punched marks. (A)

Tightening torque: 6 Nm.

- Slightly lubricate the brake cam and pin.
- Install the brake linings.
- Install the spring (9).
- Install the brake control cable, the barrel and the adjusting nut. (5)
- Install the wheel.



Tightening torque: 100 Nm.

- Measure the free travel of the rear brake control lever.
- Adjust the lever free travel using the adjusting nut.

B. Brake control free travel: 10 to 20 mm.

- Install the exhaust.

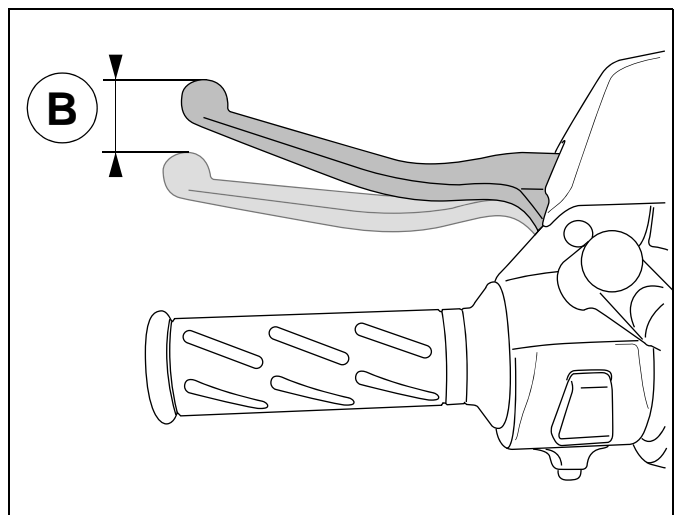
N	<p>Use a new exhaust gasket.</p>
---	---

- Exhaust to cylinder mounting nut:

Tightening torque: 15 Nm.

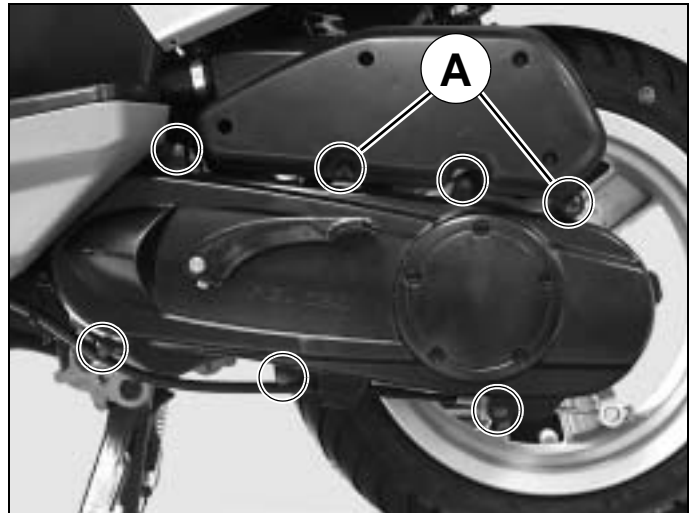
- Exhaust to casing mounting bolt:

Tightening torque: 20 Nm.

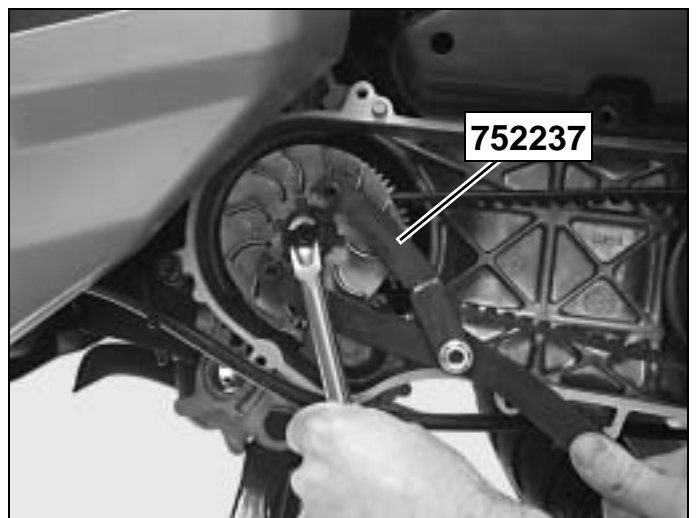


■ Transmission

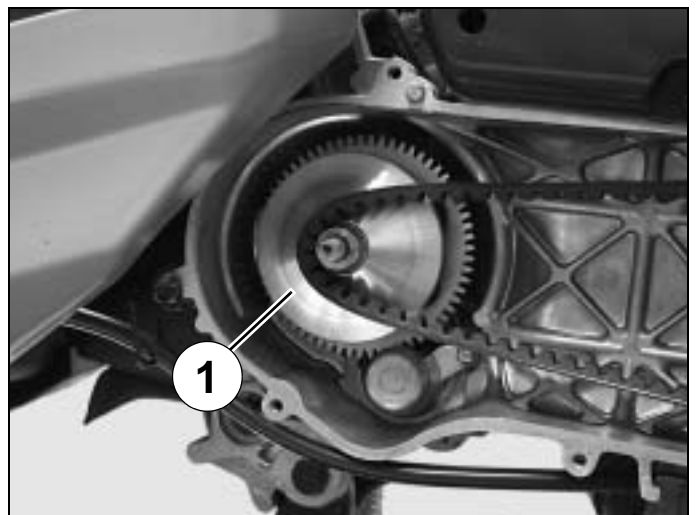
- Lift the air filter box to reach the transmission cover. (2 screw)(A)
- Remove the transmission cover. (5 screw)



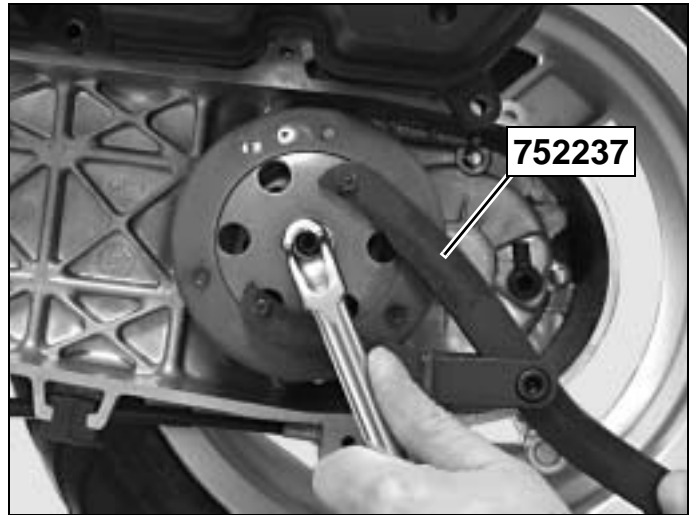
- Hold the fixed flange with tool P/N 752237.
- Remove the fixed flange nut and washer.
- Remove the fixed flange.



- Remove the belt.
- Remove the drive pulley (1) together with the guide hud.

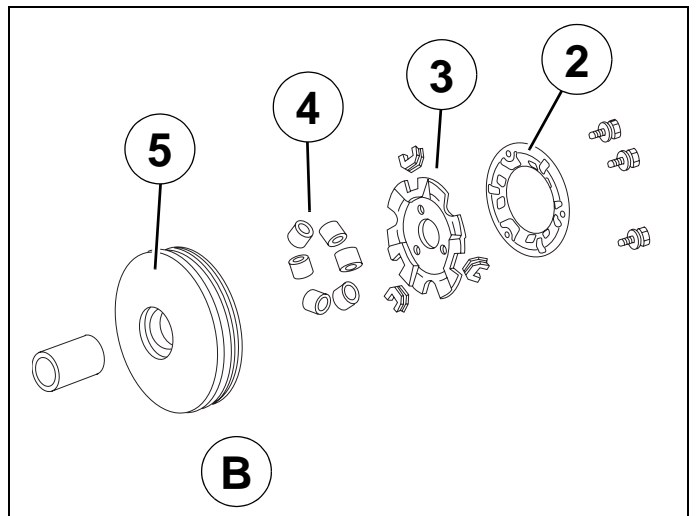


- Lock the clutch drum with the pin wrench P/N 752237.
- Remove the clutch drum and the clutch and drive pulley assembly.

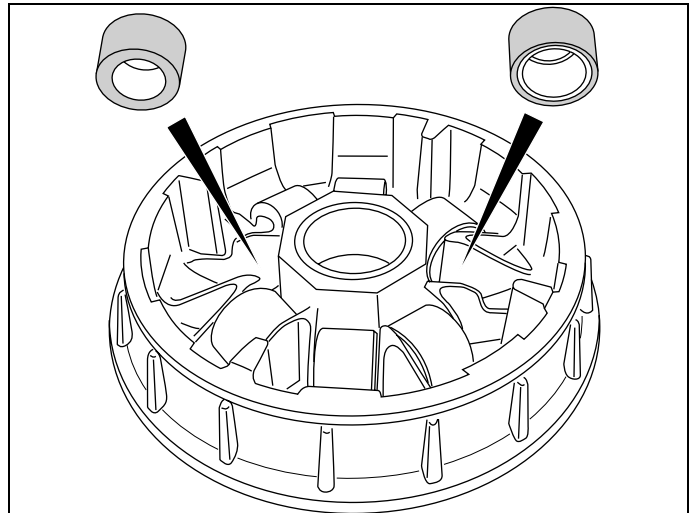


Checking the drive pulley

- Remove the bump-stop. (2) (3 vis)
- Remove the holder (3) and its 3 plastic guides.
- Remove the moving flange (5) 6 bearings (4).
- The bearings must be changed if they show major signs of wear.
- The guides shall be replaced if they show signs of wear.



- When refitting, respect the way the rollers are installed.
- Grease the moving flange bore lightly (high temperature grease).

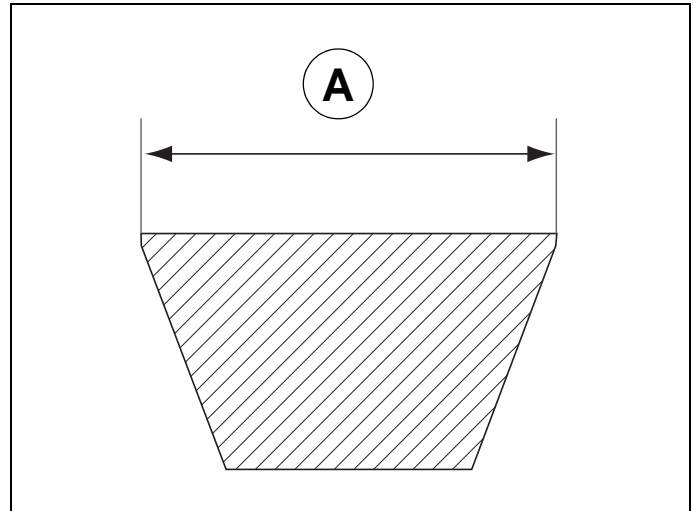


■ Checking the drive belt

Measure the width of the belt. (A)

Minimum width: 15.5 mm.

Make sure the belt is not cracked.

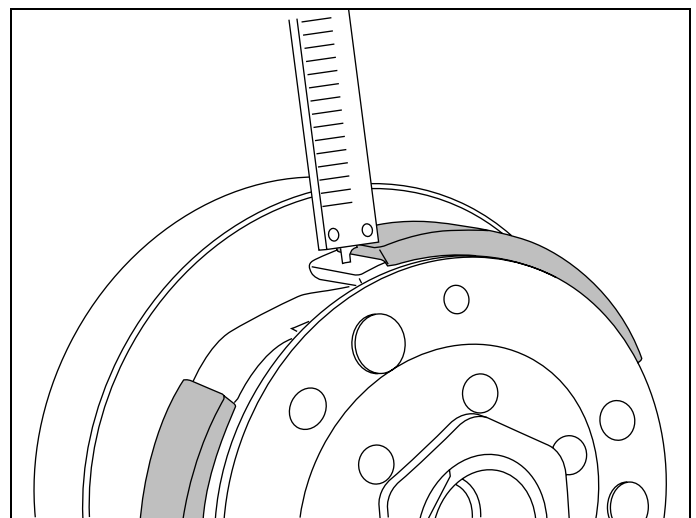


■ Checking the clutch linings.

- Using the depth calliper, measure the thickness of the clutch linings.

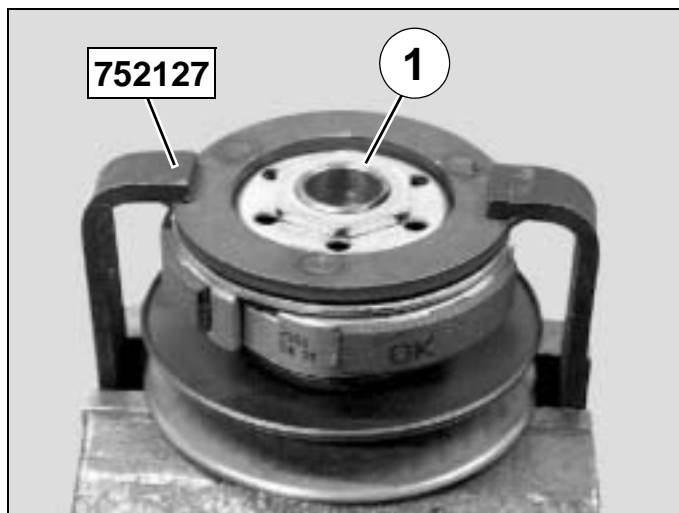
Mini. thickness 1 mm.

- Make sure surface of the plates in contact with the belt does not show any cracks or signs of abnormal wear.

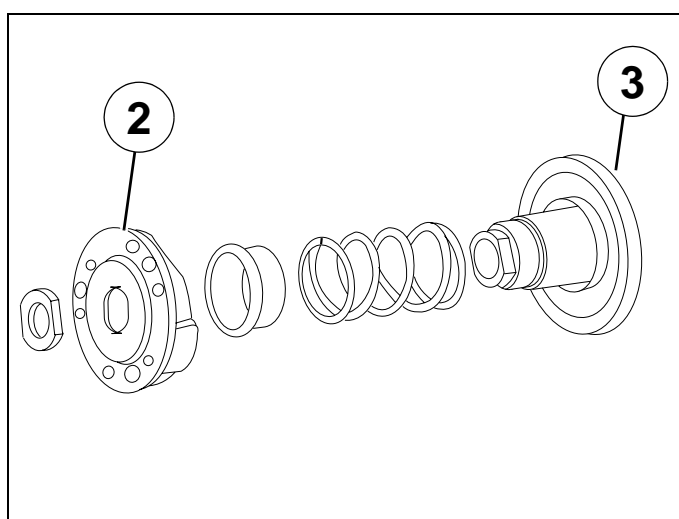


■ Replacing the clutch lining assembly

- Compress the clutch drive pulley and driven pulley assembly with the tool P/N 752127 clamped in the jaws of a vice.
- Remove nut (1) using spanner P/N 756725.
- Slacken tool P/N 752127.

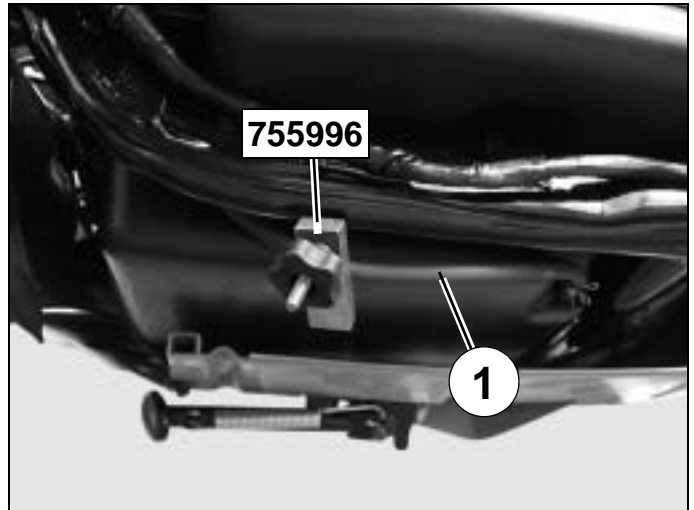


- Remove the clutch lining assembly. (2)
- When re-installing the driven pulley, lubricate the needle bearing. (3)

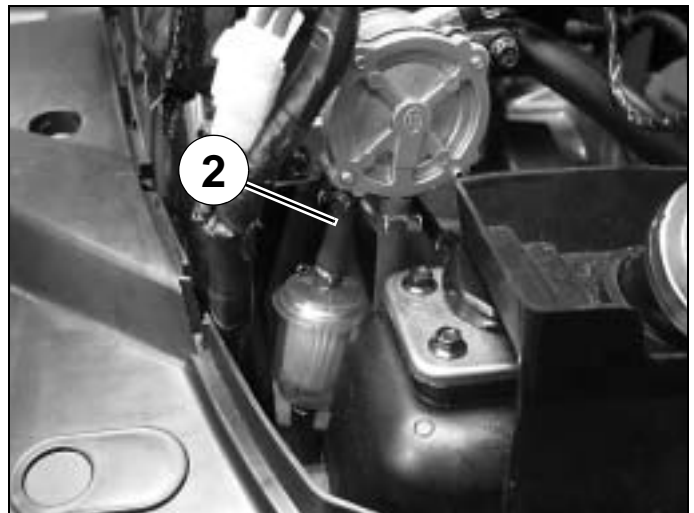


■ Removal of the fuel filter

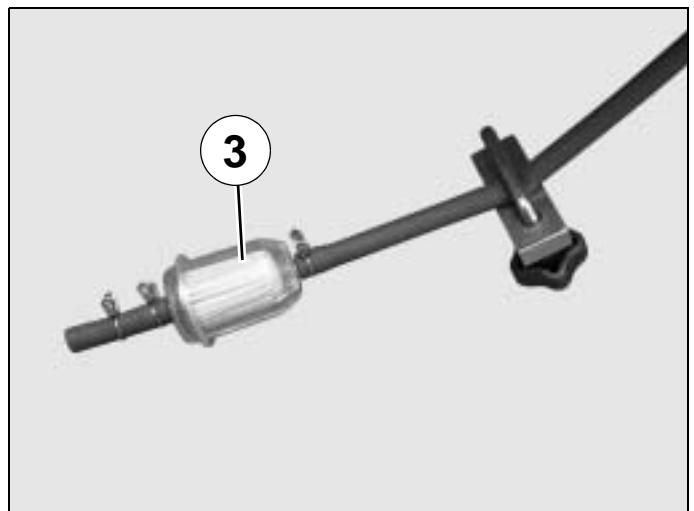
- Remove the rear storage compartment.
See: Procedure 1. page 17
- Remove the central cover panel. (5 screw).
- Remove the RH under body panel.
(9 screw)
- Put a hose clamp P/N 755996 on the fuel inlet hose (1).



- Disconnect the fuel supply hose. (2)



- Remove the fuel filter. (3)



When re-installing, respect the direction of installation of the filter shown by the arrow which indicates in which direction the fuel flows.

MISCELLANEOUS OPERATIONS

■ **Removal of the fork**

■ **Replacing the bearings of the steering system**

- Remove the rear shield panel. See: Procedure 4. page 19
- Remove the handlebars from the fork tube. (1 screws and 1 nuts)(1)

N	When re-installing, use a new nut.
----------	---

Tightening torque: 10 Nm.

- Suspend or immobilize the machine securely.
- Remove the front mudguard.
- Remove the front brake caliper from the fork tube.

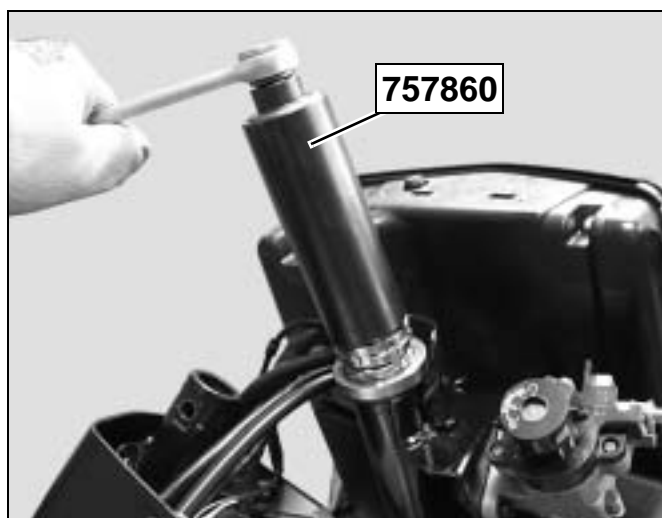
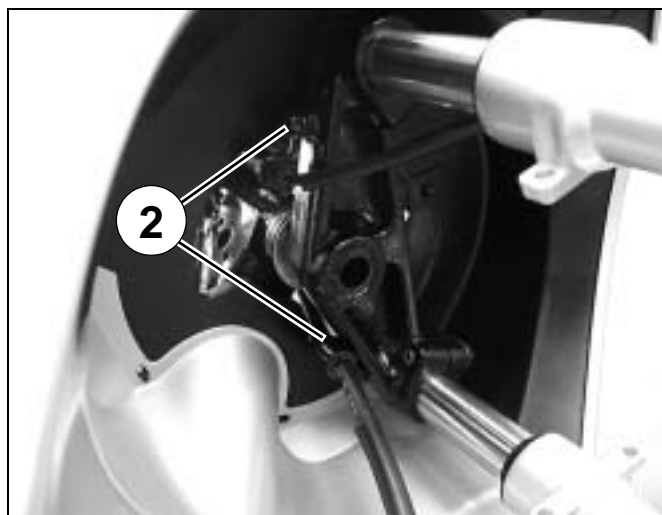
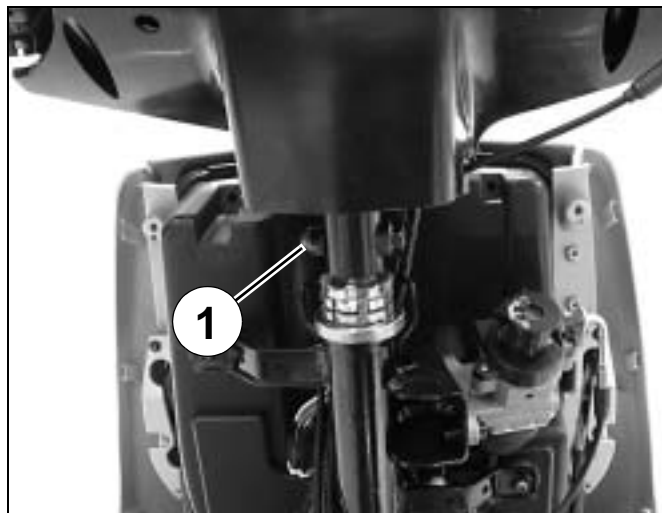
Tightening torque: 10 Nm.

- Remove the front wheel.

N	When re-installing, use a new nut.
----------	---

Tightening torque: 10 Nm.

- Remove the brake control cable grommet and the speed sensor located under the fork triple clamp. (2)(2 screw)
- Using tool P/N 757860 remove the steering locknut.
- Remove:
 - The lock washer.
 - The nut.
 - the rubber washer.
 - The nut.
 - The dust cover.
 - The upper cone.
- Remove the fork.
- Remove the caged ball bearings.



- Using a drift, remove the steering head cups.

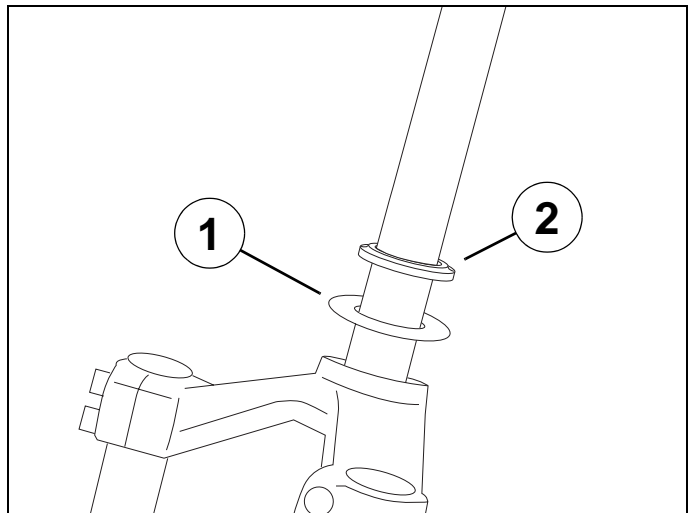


- Using a chisel, pry the steering head cup off by pressing the tool behind the dust cover.



Reassembly.

- Install the following new parts:
 - The dust cover.(1)
 - The fork cone.(2)

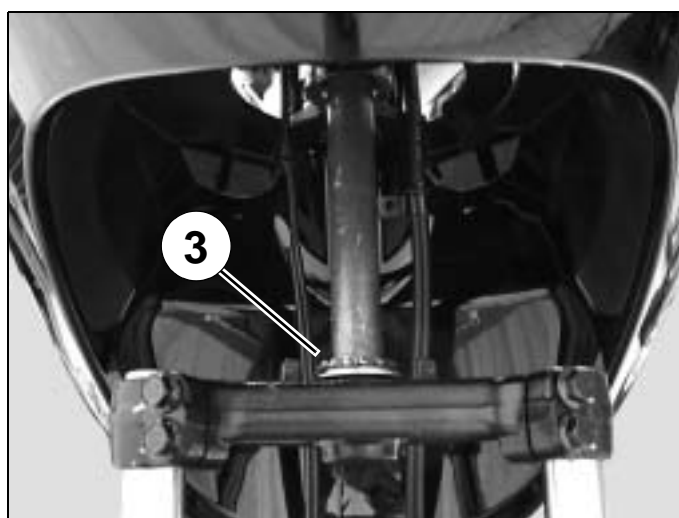


■ **Steering system tightening method**

- Using push tool P/N 753726, fit a new upper cup into the steering tube.
- Using push tool P/N 757990, fit a lower cup into the steering tube.



- Grease the cup bearing races.
- Install new caged ball bearings. (3)
- Fit the fork into the steering column.

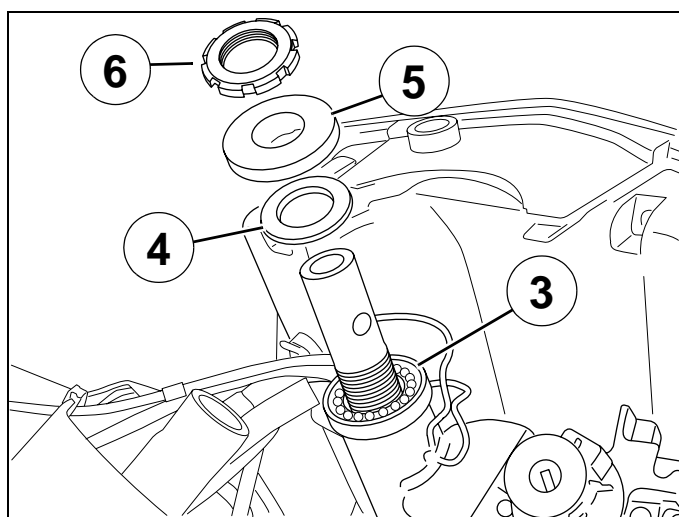


- Install the upper cone.(4)
- Install the dust cover.(5)
- Fit and tighten the nut.(6)

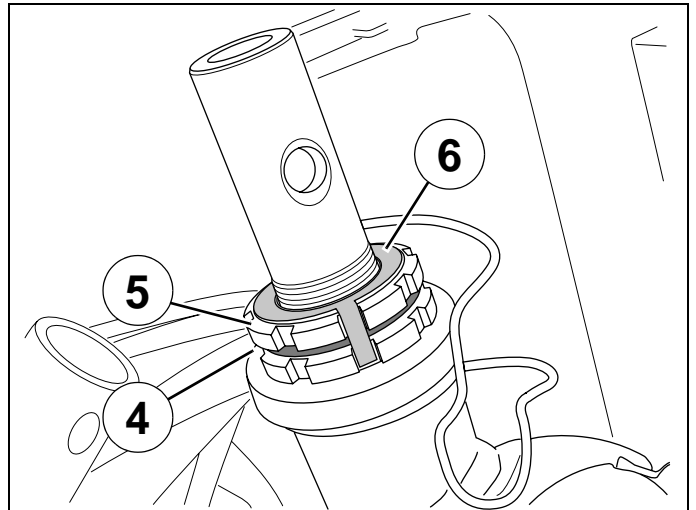
Tightening torque: 40 Nm.

- Loosen and re-tighten the nut.

Tightening torque: 23 Nm.

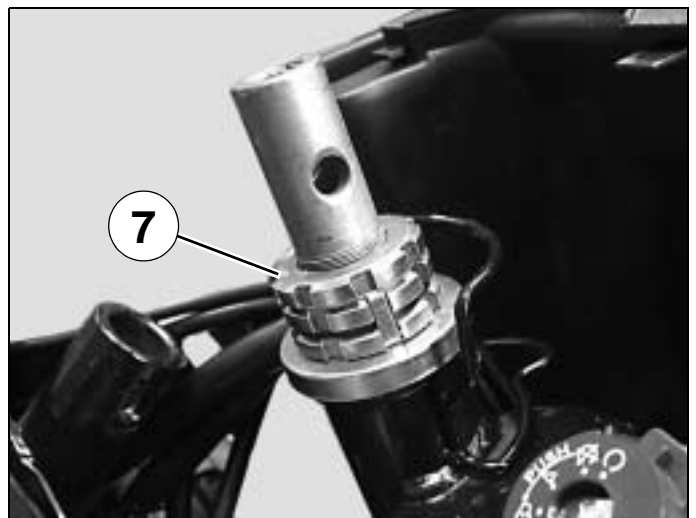


- Install the rubber washer. (4)
- Fit and finger tighten the nut (5) so that its notches are aligned with those of the nut.
- Fit the lock washer (6) in the notches of the 2 nuts.



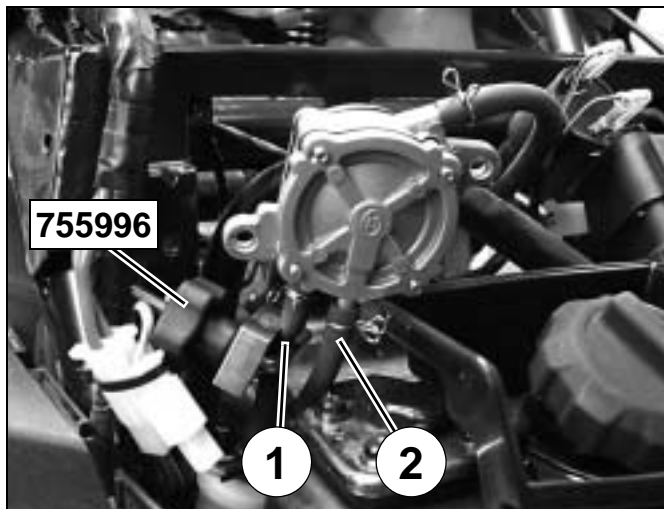
- Install the steering head locknut and tighten it. (7)

Tightening torque: 70 Nm.



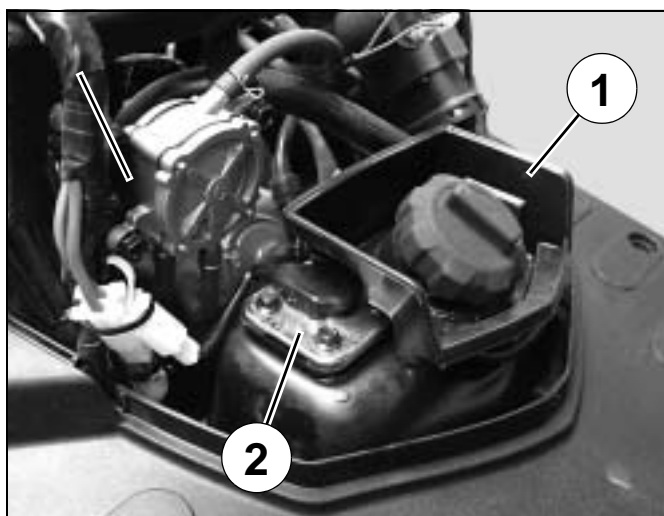
■ **Removal of the fuel pump**


- Remove the rear storage compartment.
See: Procedure 1. page 17.
- Remove the central cover panel. (5 screw)
- Remove the 2 screws that secure the fuel pump.
- Put a hose clamp P/N 755996 on the fuel inlet hose (1).
- Disconnect the 2 fuel pipes.
- Disconnect the vacuum hose. (2)
- Remove the fuel pump.



■ **Removal of the fuel gauge**

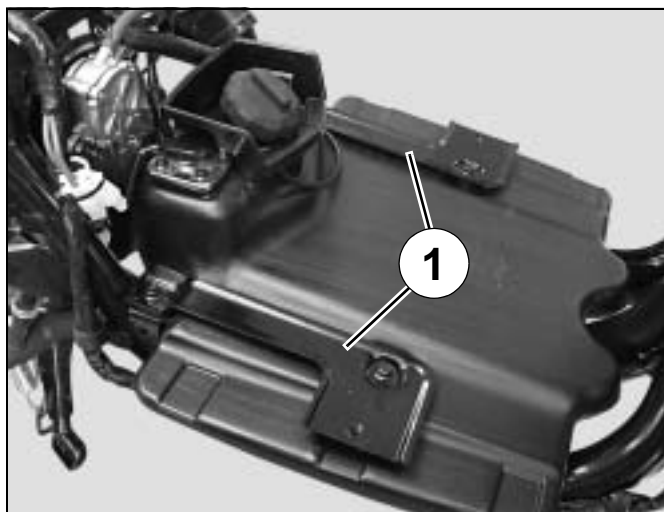
- Remove the rear storage compartment.
See: Procedure 1. page 17.
- Remove the central cover panel. (5 screw).
- Remove the tank filler ring. (1)
- Disconnect the fuel gauge. (2)
- Remove the fuel gauge. (4 screw)
- Remove the rubber gasket.



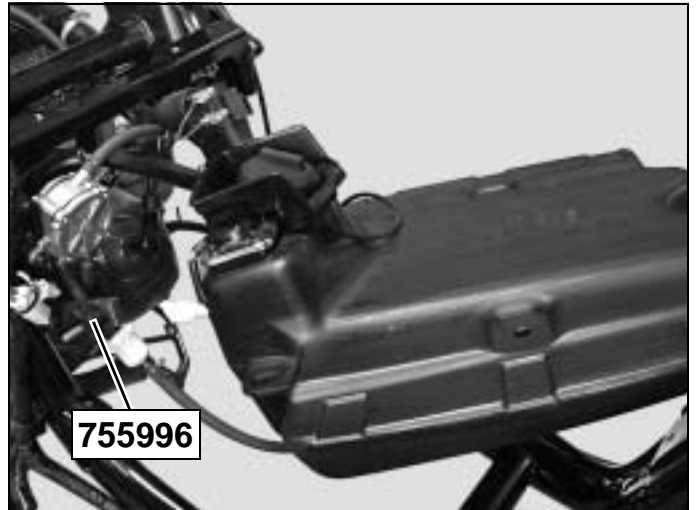
	<p>When re-installing, use a new gasket.</p>
---	---

■ **Removal of the fuel tank**

- Remove the footboard. See: Procedure 5 page 21.
- Remove the footboard supports. (1)(4 screw)

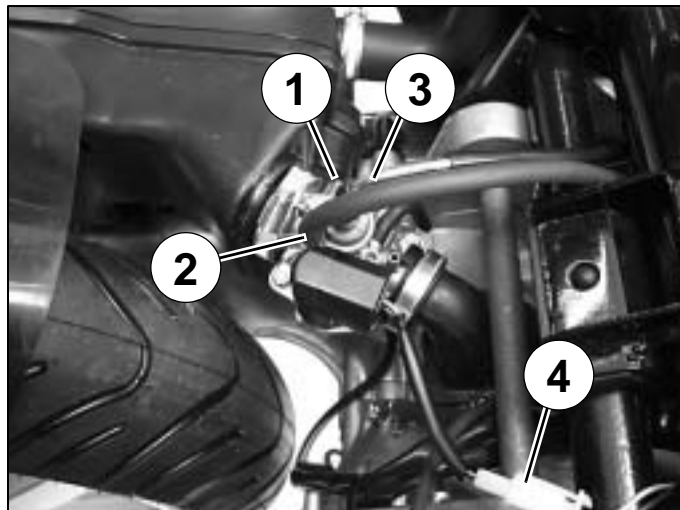


- Put a hose clamp P/N 755996 on the fuel inlet hose (1).
- Disconnect the fuel supply hose.
- Disconnect the fuel gauge.
- Remove the fuel tank.



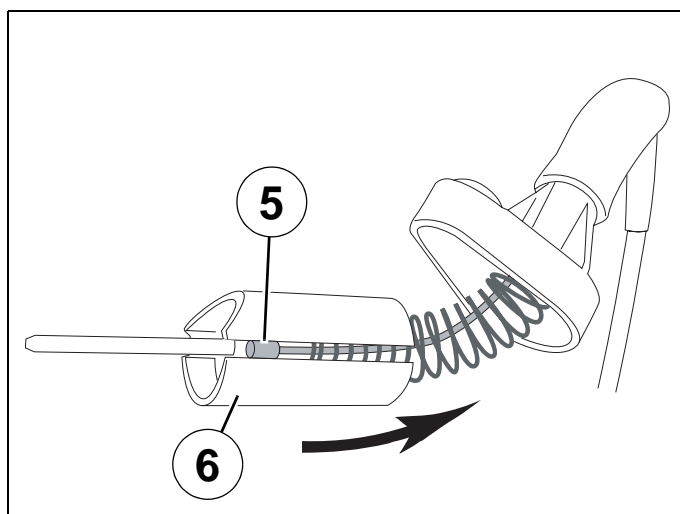
■ **Removal of the carburettor**

- Remove the rear storage compartment.
See: Procedure 1 page 17.
- Disconnect:
 - The throttle control. (1)
 - The fuel supply hose (2).
 - The oil supply hose (3).
- Disconnect the electric choke. (4)
- Remove the intake silencer. (1 collar and 2 screws)
- Remove the carburettor. (1 clip, to be changed each time it is removed)

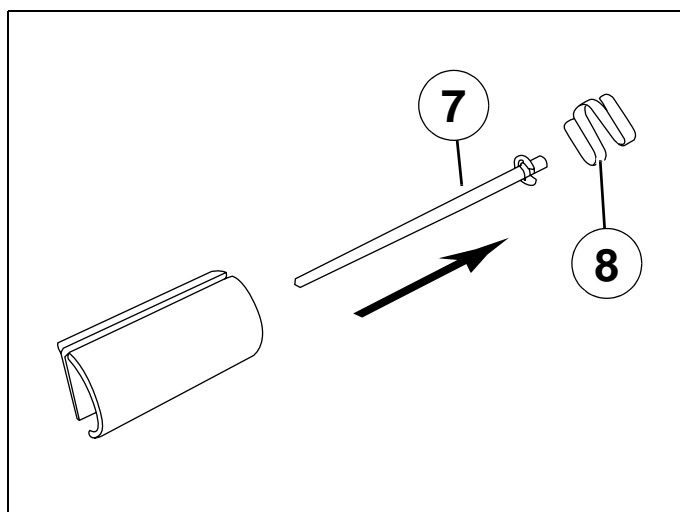


Remove the valve.

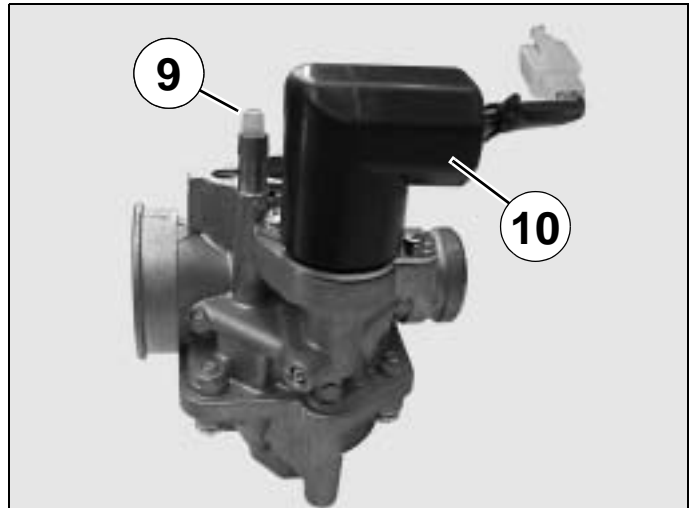
- Take out the throttle control cable (5) by compressing the spring using the throttle valve (6).
- Dismantle the valve equipped with its needle, spring and carburettor chamber cap.



- Dismantle the needle (7) by pushing it out in order to remove the clips (8).



- Remove the fuel filter. (9)
- Locate the position of the choke (10) and then remove it.

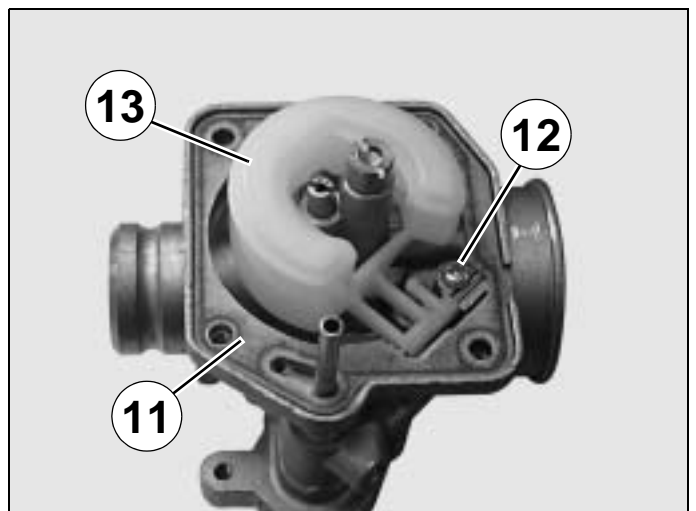


Removal of the float, needle valve and jets.

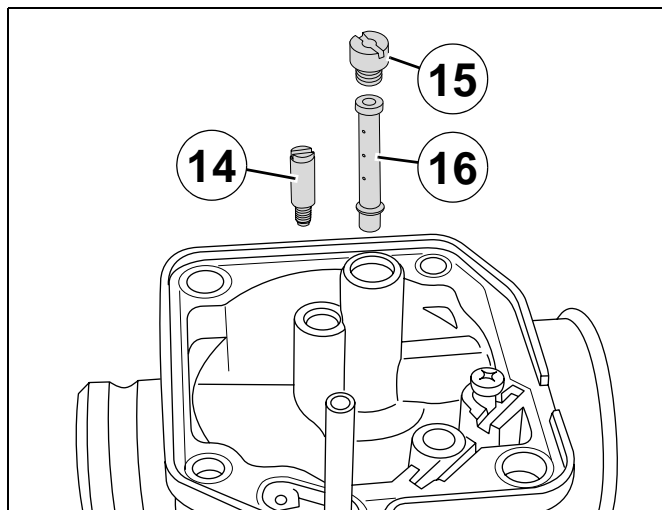
- Remove the chamber. (4 screw)



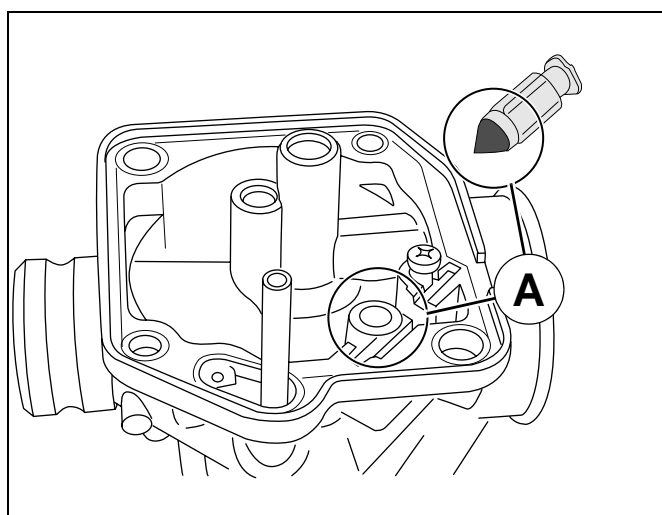
- Remove the paper gasket. (11)
- Loosen the float pin clamping screw (12).
- Remove the float (13) with its pin and needle valve.



- Remove the idle jet (14).
- Remove the main jet (15).
- Remove the jet spray nozzle (16).

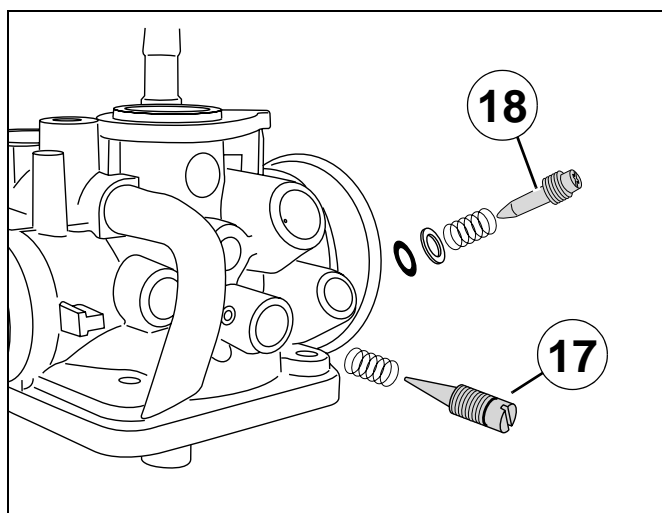



- Check the condition of the needle valve and the needle valve seat (A).



Removal of the engine speed adjuster screw and mixture control screw.

- Turn clockwise the engine speed adjuster screw (17) and mixture control screw (18) while counting the number of turns until they are screwed home.
- When re-fitting, this operation allows you to put them back to their initial adjustment position.

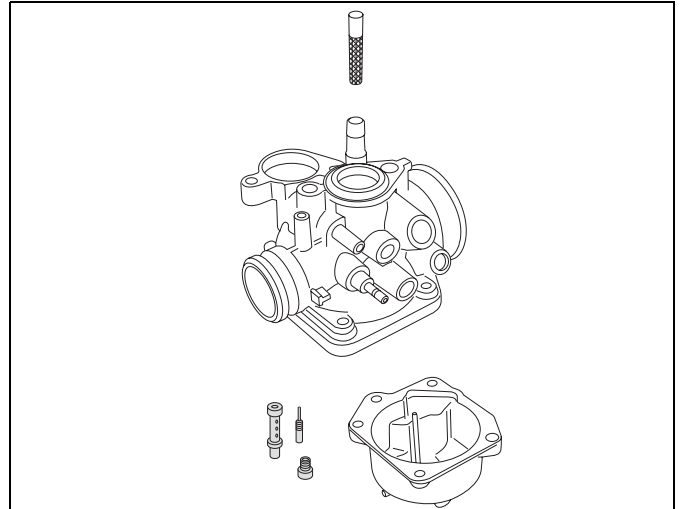


	<p>Do not turn the screws home forcefully.</p>
---	---

- Remove the idle screw and the mixture control screw with their spring.

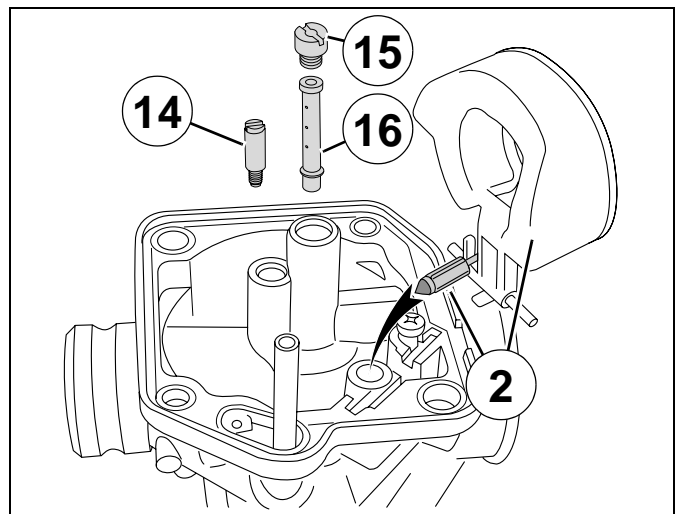
- Clean the body of the carburettor and its components with a cleanser. P/N 755700.
- Blow into every jet and duct of the carburettor body with compressed air.

Note: Do not use any metal tool which can damage the ducts of these items.



■ Reassembly

- Fit the jet spray nozzle (16).
- Fit the main jet (15).
- Fit the idle adjuster screw (14).
- Place the needle valve in the grooves of the float 2.
- Fit the pin into the float.
- Install the float on the carburettor body while fitting the needle valve into its recess.

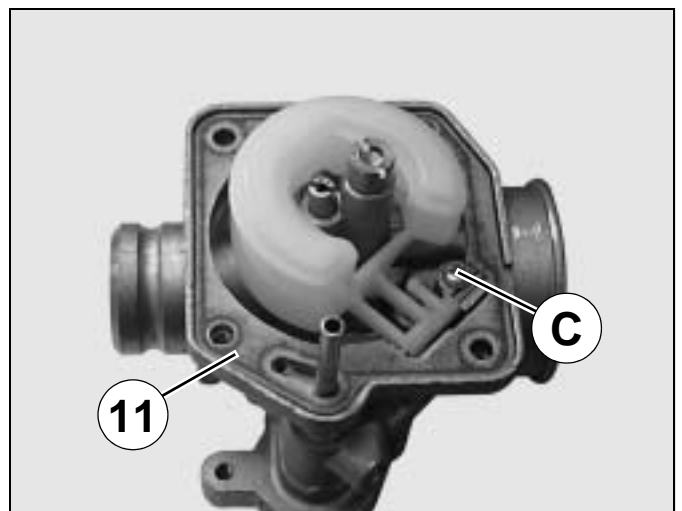


- Position the pin in its recess.
- Fit and tighten the screw (C) that secures the float pin.

N

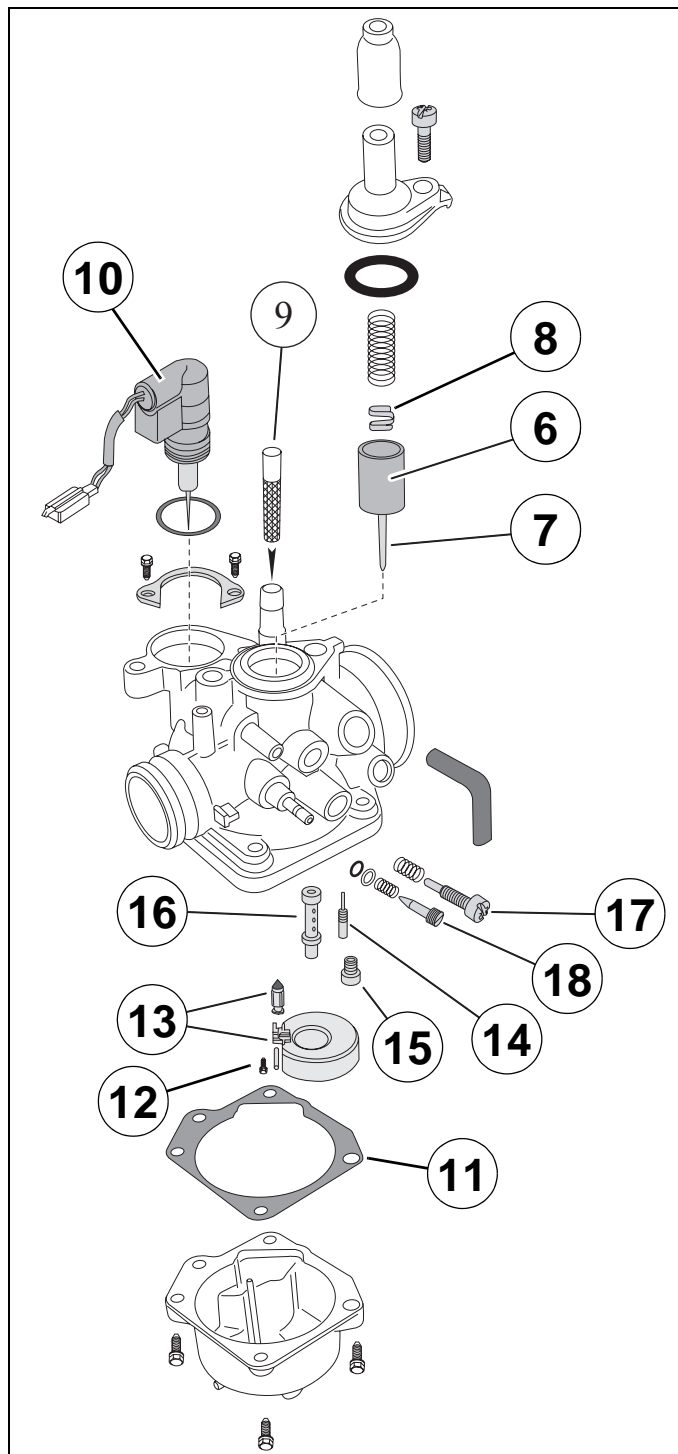
Install a new paper gasket. (11)

- Fit the float chamber.
- Fit and tighten the 4 screws of the float chamber.



- Re-install all the other components and, if necessary, when starting the engine, readjust according to the values indicated on the technical data card.

- 6. Piston.
- 7. Needle.
- 8. Clips.
- 9. Petrol filter.
- 10. Choke.
- 11. Float chamber gasket.
- 12. Float pin screw.
- 13. Float and needle.
- 14. Idle jet.
- 15. Main jet.
- 16. Venturi.
- 17. Idle screw.
- 18. Mixture screw.

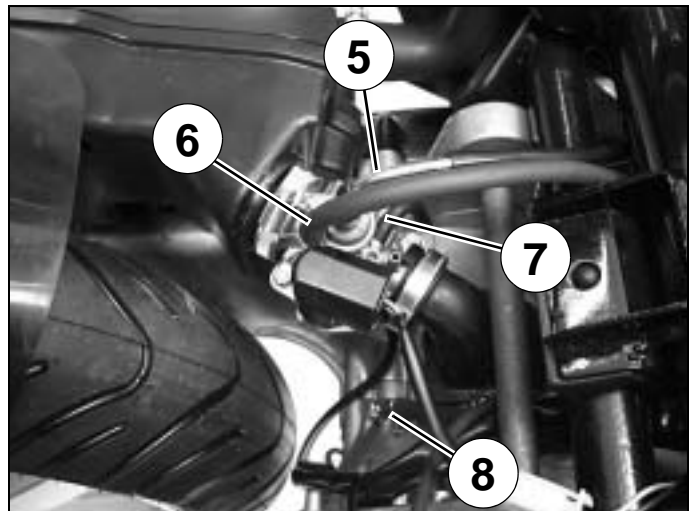
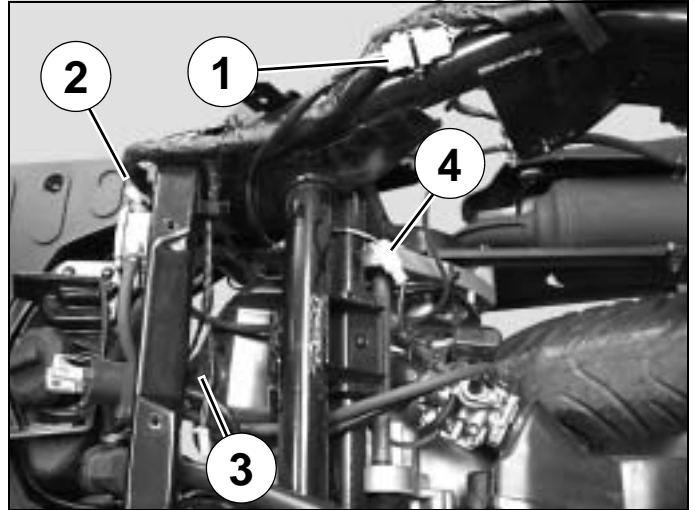


■ Removal of the power unit

Note: To remove the cylinder head, remove the power propulsion unit.

For removal of the cylinder head, cylinder and piston, see the workshop manual: 50cc engine. Horizontal cylinder: 757806.

- Disconnect the battery.
- Remove the rear cover assembly. See: Procedure 2 page 17.
- Disconnect:
 - The magneto. (1)
 - The starter motor. (2)
 - The suppressor. (3)
 - The choke. (4)
- Disconnect:
 - The throttle control. (5)
 - The fuel supply hose (6).
 - The oil supply hose (7).
 - The vacuum pressure hose. (8)
- The pulsair reed valve hose. (9)
- The rear brake control cable.

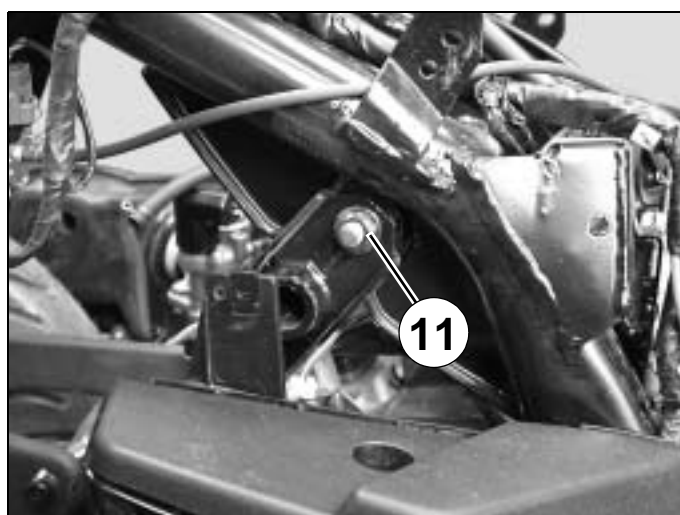


- Suspend the rear of the machine.
- Remove the shock absorber upper mount. (10)

Tightening torque: 45 Nm.

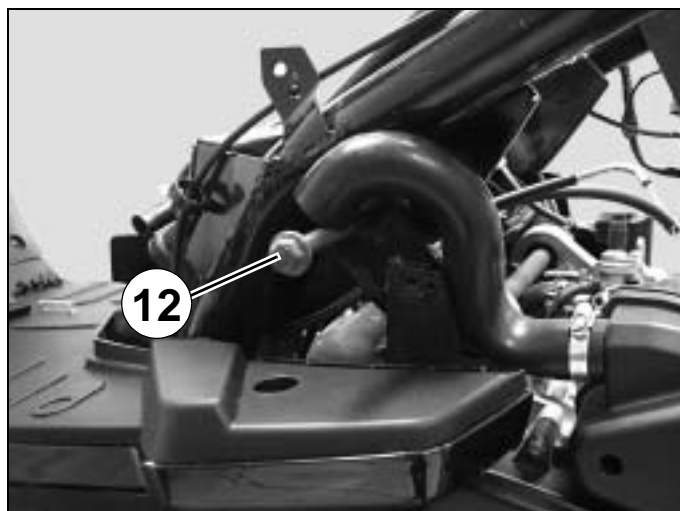


- Remove the linkrod-to-frame pin nut. (11)
- **Tightening torque: 60 Nm.**

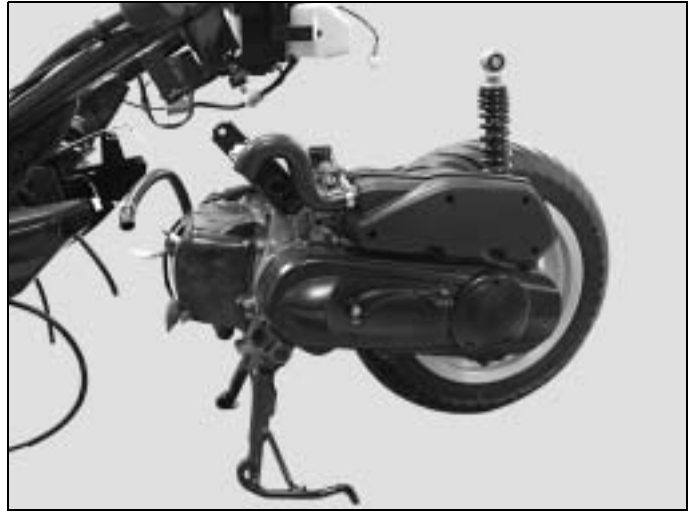


When re-installing, use a new nut.

- Remove the linkrod-to-frame connecting pin. (12)



- Lift the rear of the machine.
- Remove the power propulsion unit from the frame.







**P/N.
MA0003GB**

In our permanent concern to make improvements PEUGEOT MOTOCYCLES reserves the right to suppress, modify, or add any reference mentioned.

DC/PS/APV Printed in the E.U. 06/2008 (non contractual pictures)

