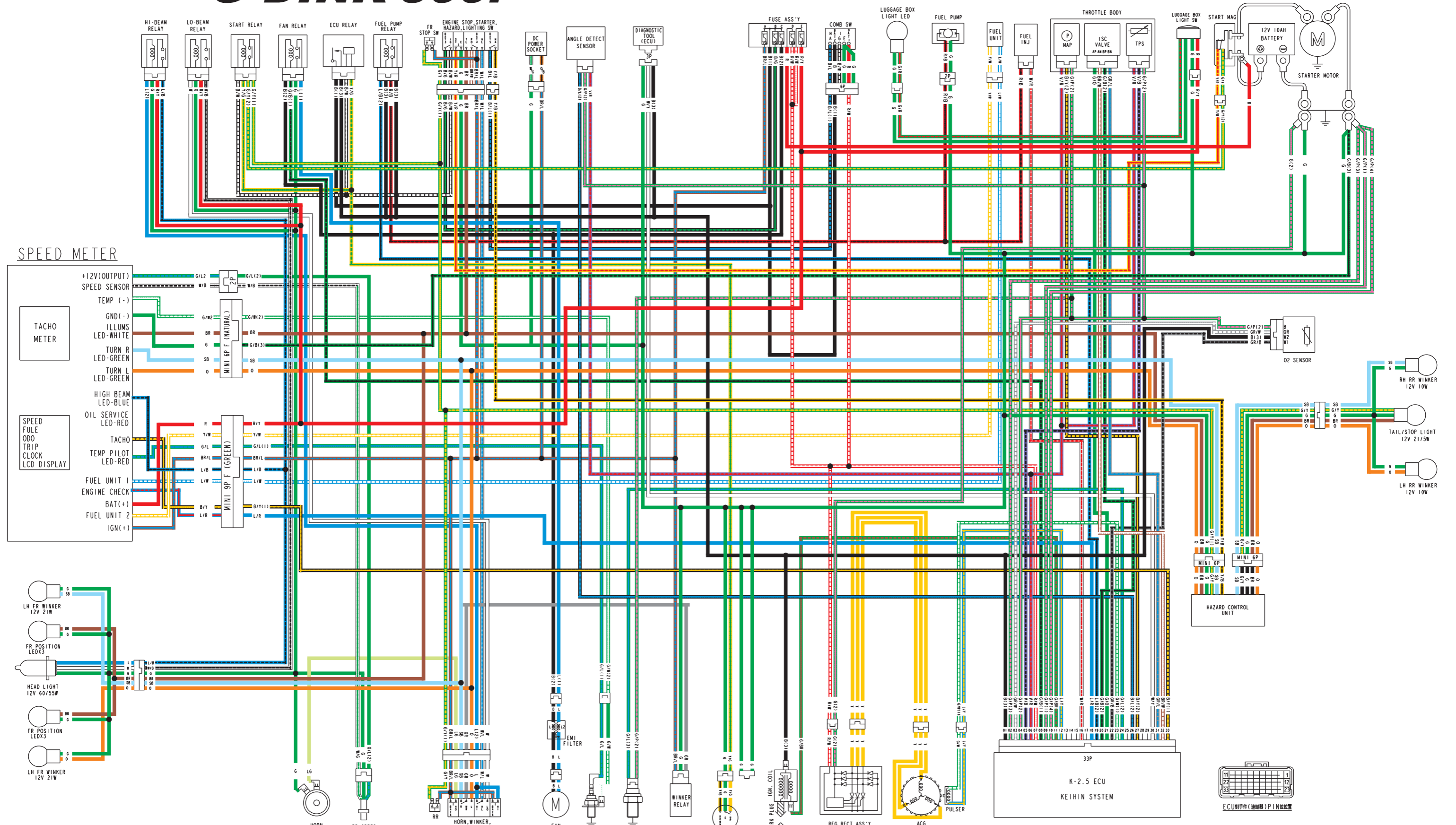
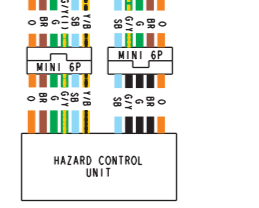
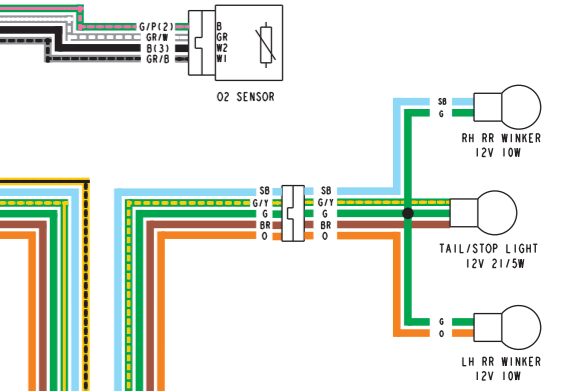
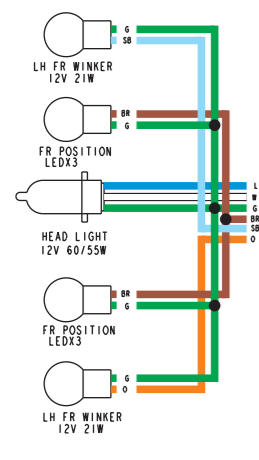
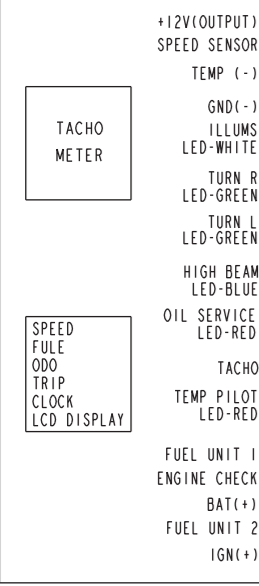


G-DINK 300i

FUSE A: 15A WINKER,FR/RR STOP,HORN,METER,DC SOCKET,
 FUSE B: 15A IGNITION,IGN COIL,FUEL PUMP,STARTER,ANGLE DETECTOR SENSOR
 FUSE C: 10A FAN MOTOR
 FUSE D: 30A CHARGING
 FUSE E: 15A HEAD LIGHT,METER,LUGGAGE BOX LIGHT.



SPEED METER



PIN NO.	NAME	FUNCTION	PIN NO.	NAME	FUNCTION
01	IGP	IGNITION POWER	19	FLPR	FUEL PUMP RELAY
02	LS1	LOGIC GROUND 1	20	ISCBP	IDLE SPEED CONTROL B
03	HEGO	HEGO SENSOR	21	ISCAP	IDLE SPEED CONTROL A
04	SG	SENSOR GROUND	22	HEGO HT	HEGO SENSOR HTATER
05	TH	THROTTLE POSITION SENSOR	23	CRK-M	CRANK PULSE SENSOR GND
06	VCC	SENSOR POWER OUTPUT(+5V)	24	TW	WATER TEMP. SENSOR
07	BATT	BATTERY	25	-	-
08	FAN	FAN RELAY	26	ROLL	ROLL SENSOR
09	PG1	POWER GROUND 1	27	PM	MANIFOLD PRESSURE SENSOR
10	PG2	POWER GROUND 2	28	SOL	-
11	IG	IGNITION COIL	29	-	-
12	CRK-P	CRANK PULSE SENSOR	30	K-LINE	DIAGNOSTIC TOOL
13	-	-	31	ISCBN	IDLE SPEED CONTROL / B
14	-	-	32	ISCAN	IDLE SPEED CONTROL / A
15	TEST	-	33	NE	METER
16	INJ	INJECTION			
17	-	-			
18	MIL	MULTI INDICATOR LAMP			

