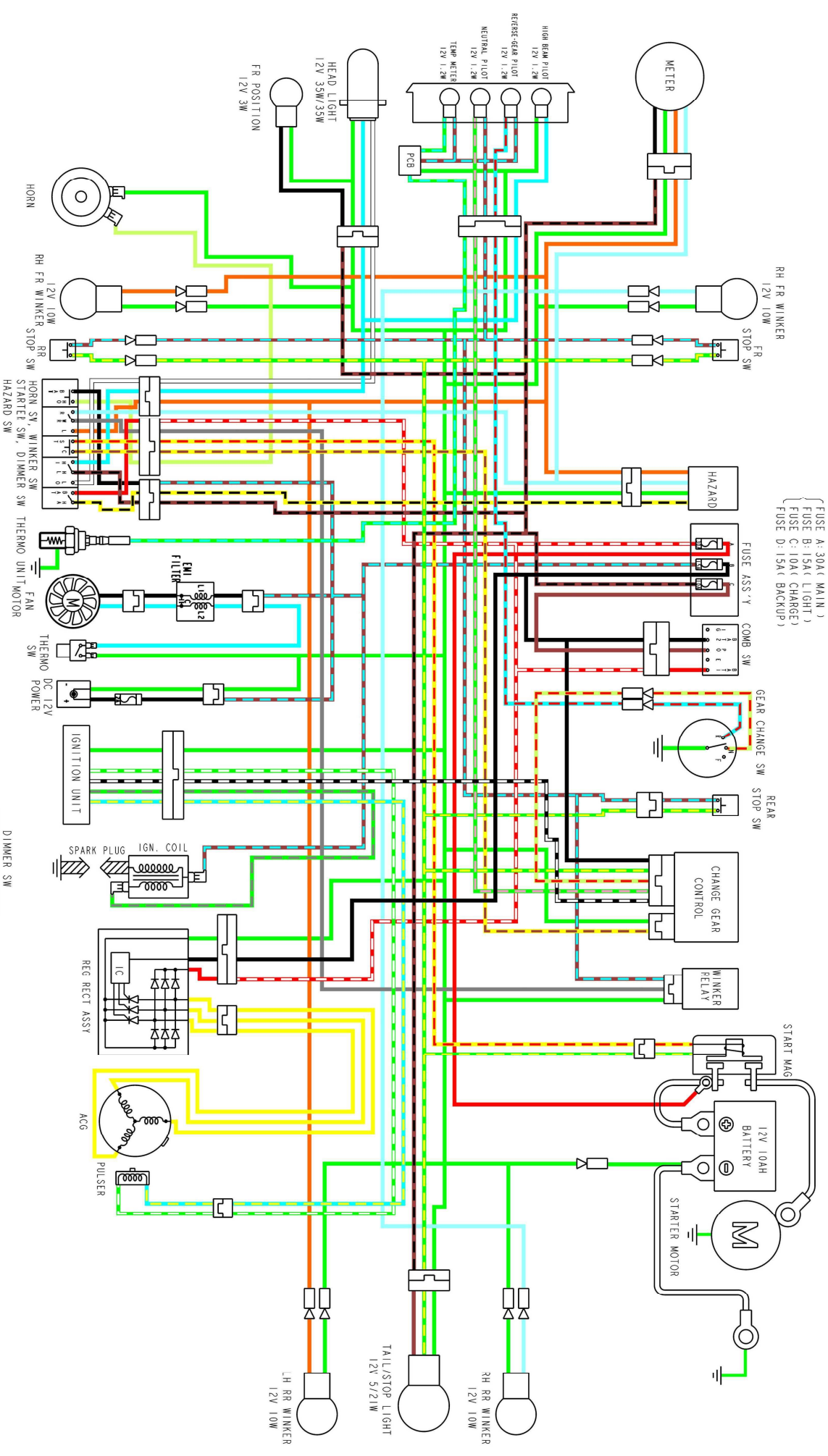


{ FUSE A: 30A ( MAIN )  
 { FUSE B: 15A ( LIGHT )  
 { FUSE C: 10A ( CHARGED )  
 { FUSE D: 15A ( BACKUP )



- YELLOW SKY BLUE GREEN / RED BROWN / WHITE BLUE / YELLOW BLUE GRAY BLACK / YELLOW BLUE / BLACK
- RED LIGHT GREEN YELLOW / WHITE BLACK / WHITE WHITE / YELLOW WHITE BLACK BLACK / BLUE GREEN / BLUE
- GREEN BROWN BLUE / WHITE RED / YELLOW GREEN / YELLOW ORANGE BROWN / BLUE GREEN / WHITE GREEN / WHITE
- RED / BLACK BLUE / RED YELLOW / BLACK BLUE / RED RED / WHITE RED / YELLOW WHITE / BLUE

HO BATT	FREE	PUSH	LG	B
HO BATT	FREE	PUSH	LG	B

R	L	W?
L	○	○
R	○	○
COLOR	SB	0
GR		

ST	C
FREE	○
PUSH	○
COLOR	R/B/W/BR

HL	LO	HI
○	○	○
○	○	○
○	○	○
COLOR	B/W	L

BATT	HA
○	○
○	○
COLOR	R/W/W/B

IG	E	BATT1	BATT2	PO
OFF	○	○	○	○
ON	○	○	○	○
PO	○	○	○	○
COLOR	B/W	G	R	B
				BR

B	BLACK	BR	BROWN
G	GREEN	GR	GRAY
O	ORANGE	SB	SKY BLUE
Y	YELLOW	LG	LIGHT GREEN
W	WHITE		
R	RED		