



POLARIS[®]
The Way Out.

Parts Manual

2003

CLASSIC CRUISER

Model #V03CB16CA/CB/CC/CD

Model #V03CB16DA/DB/DC/DD

Model #V03CB16LA/LB/LC/LD

Model #V03CB16UA/UB/UC/UD

Rev. 01

TABLE OF CONTENTS

Classic Cruiser V03CB16(CA)(CB)(CC)(CD)(DA)(DB)(DC)(DD)(LA)(LB)(LC)(LD)(UA)(UB)(UC)(UD) Parts Manual

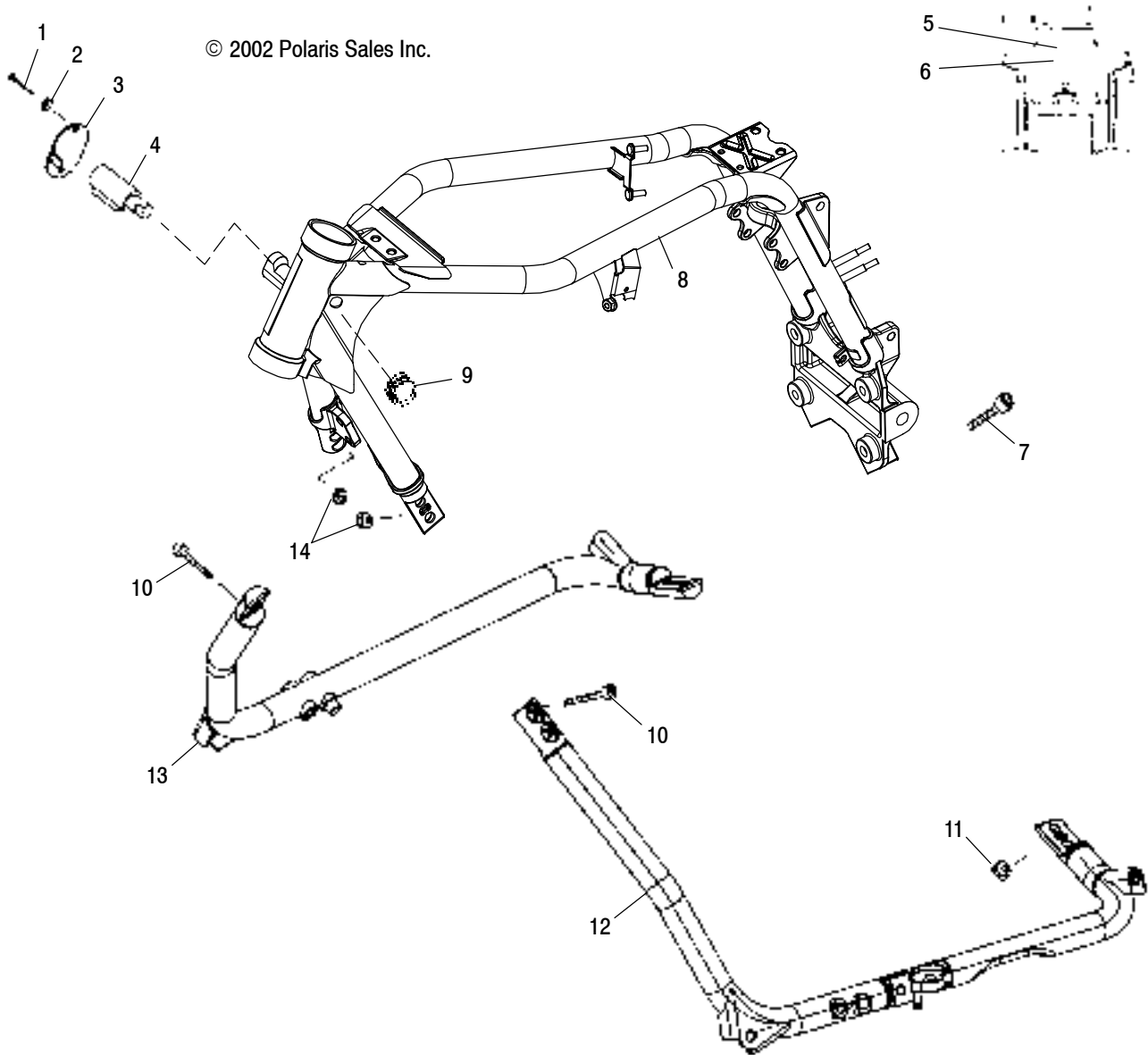
<p style="text-align: center;">A</p> <p>AIR BOX C6</p> <p style="text-align: center;">B</p> <p>BATTERY BOX B9</p> <p style="text-align: center;">C</p> <p>CAM and VALVE COVERS C14</p> <p>CAMCHAIN and TENSIONER C13</p> <p>CRANKCASE C9</p> <p>CRANKCASE BEARINGS C10</p> <p>CRANKSHAFT C8</p> <p>CYLINDER and HEAD C11</p> <p style="text-align: center;">D</p> <p>DECALS B11</p> <p>DRIVE CLUTCH D7</p> <p style="text-align: center;">E</p> <p>ECM BOX B10</p> <p>ELECTRICAL B14-C1</p> <p>ENGINE MOUNTING C7</p> <p>EXHAUST SYSTEM C4</p> <p style="text-align: center;">F</p> <p>FLOOR BOARD and SIDE STAND A6</p> <p>FRONT BRAKE B6</p> <p>FRONT DRIVE SPROCKET C5</p> <p>FRONT FENDER A11</p> <p>FRONT FORKS A10</p> <p>FRONT TURN SIGNAL B4</p> <p>FRONT WHEEL (CAST) A12</p> <p>FRONT WHEEL (LACED) A13</p> <p>FUEL SYSTEM D8</p> <p style="text-align: center;">H</p> <p>HANDLEBAR A8</p> <p>HEADLIGHT B2</p>	<p style="text-align: center;">I</p> <p>IGNITION ASM. C2</p> <p style="text-align: center;">M</p> <p>MAIN FRAME A3</p> <p style="text-align: center;">O</p> <p>OIL COOLING C3</p> <p>OIL PUMP D2</p> <p>OIL PUMP MOUNTING D1</p> <p>OWNER'S MANUAL D10</p> <p style="text-align: center;">P</p> <p>PRIMARY COVER D4</p> <p>PRIMARY DRIVE D3</p> <p style="text-align: center;">R</p> <p>REAR BRAKE B7</p> <p>REAR SHOCK B8</p> <p>REAR TURN SIGNAL B5</p> <p>REAR WHEEL (CAST) A14</p> <p>REAR WHEEL (LACED) B1</p> <p style="text-align: center;">S</p> <p>SADDLEBAG/BACKREST B13</p> <p>SEAT and REAR FENDER B12</p> <p>SHIFT FORKS/DRUM D5</p> <p>SHIFT LEVER A7</p> <p>STARTER MOTOR D9</p> <p>SUBFRAME A4</p> <p>SWING ARM A5</p> <p style="text-align: center;">T</p> <p>TAILLIGHT B3</p> <p>TRANSMISSION D6</p> <p style="text-align: center;">V</p> <p>VALVE TRAIN C12</p> <p style="text-align: center;">W</p> <p>WINDSHIELD A9</p>
--	--

The illustrations used in this Parts Manual are for reference to replacement parts only. This manual is not to be used for assembly.

MAIN FRAME

CLASSIC CRUISER V03CB16CA and CLASSIC CRUISER V03CB16CB and CLASSIC CRUISER V03CB16CC and CLASSIC CRUISER V03CB16CD and CLASSIC CRUISER V03CB16DA and CLASSIC CRUISER V03CB16DB and CLASSIC CRUISER V03CB16DC and CLASSIC CRUISER V03CB16DD and CLASSIC CRUISER V03CB16LA and CLASSIC CRUISER V03CB16LB and CLASSIC CRUISER V03CB16LC and CLASSIC CRUISER V03CB16LD and CLASSIC CRUISER V03CB16UA and CLASSIC CRUISER V03CB16UB and CLASSIC CRUISER V03CB16UC and CLASSIC CRUISER V03CB16UD

© 2002 Polaris Sales Inc.



Part numbers may have changed since this microfiche was issued. To ensure that correct parts are received, refer to PartSmart, which is updated monthly.

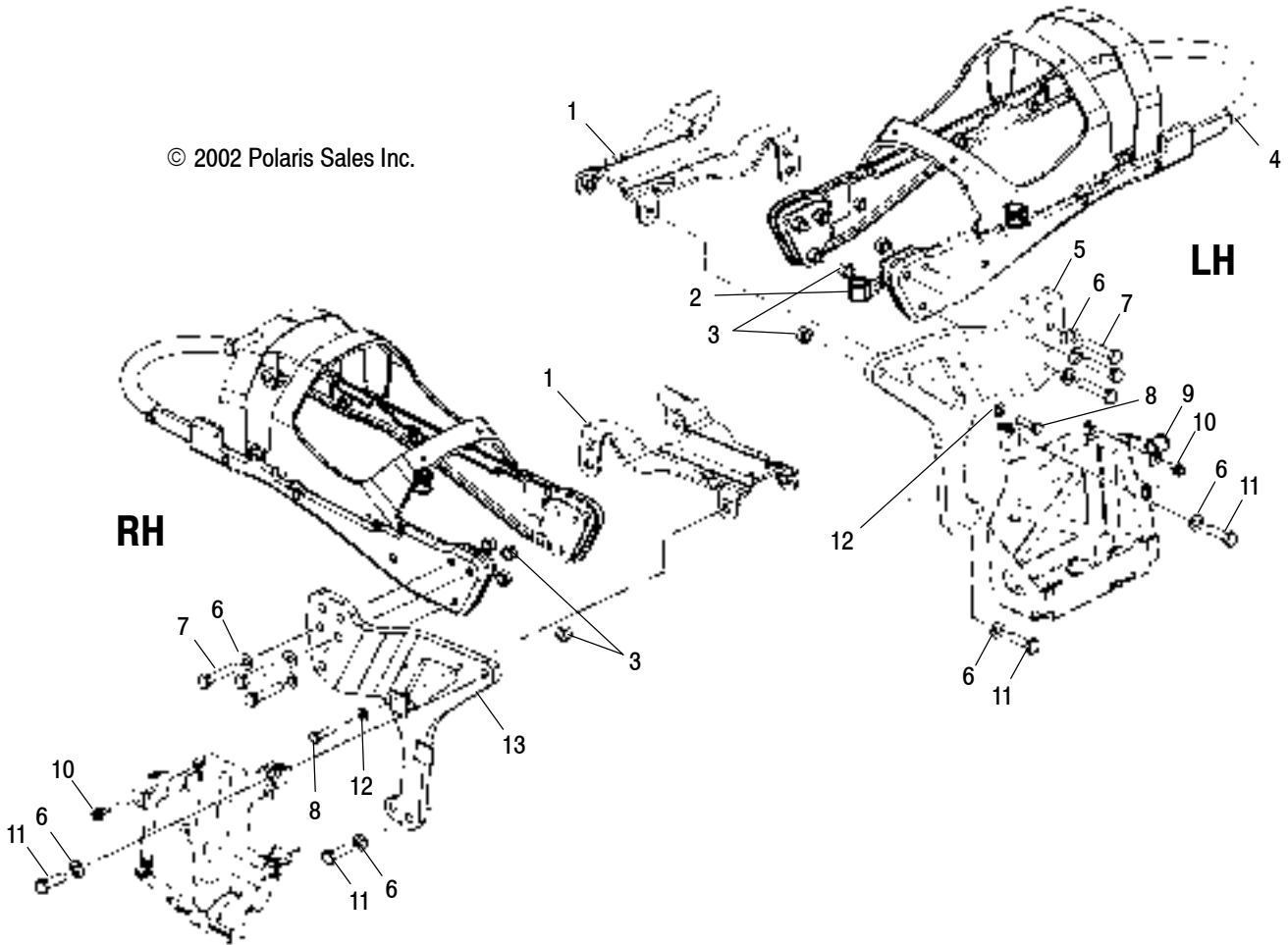
Ref.	Part No.	Qty.	Description
1	7661027	1	Pin, Knurled
2	7571637	1	Washer, Wave
3	5242202	1	Cap, Fork Lock
4	-----	1	Lock, Front Fork (See Ignition Asm. Pg. C2, Ref. 10)
5	7710446	1	Ring, Retaining
6	3513506	1	Bearing, Spherical
7	7518123	4	Screw
8	1013490-067	1	Frame, Main, Black
	1013490-385	1	Frame, Main, Silver

Ref.	Part No.	Qty.	Description
9	5411472	1	Grommet, Head Casting
10	7518057	4	Screw (Black)
	7518123	4	Screw (Silver)
11	7547239	4	Nut (Silver)
12	1013481-067	1	Tube, Frame, Lower, Black, LH
	1013481-385	1	Tube, Frame, Lower, Silver, LH
13	1013482-067	1	Tube, Frame, Lower, Black, RH
	1013482-385	1	Tube, Frame, Lower, Silver, RH
14	7547039	4	Nut (Black)
	7547239	4	Nut (Silver)

SUBFRAME

CLASSIC CRUISER V03CB16CA and CLASSIC CRUISER V03CB16CB and CLASSIC CRUISER V03CB16CC and CLASSIC CRUISER V03CB16CD and CLASSIC CRUISER V03CB16DA and CLASSIC CRUISER V03CB16DB and CLASSIC CRUISER V03CB16DC and CLASSIC CRUISER V03CB16DD and CLASSIC CRUISER V03CB16LA and CLASSIC CRUISER V03CB16LB and CLASSIC CRUISER V03CB16LC and CLASSIC CRUISER V03CB16LD and CLASSIC CRUISER V03CB16UA and CLASSIC CRUISER V03CB16UB and CLASSIC CRUISER V03CB16UC and CLASSIC CRUISER V03CB16UD

© 2002 Polaris Sales Inc.



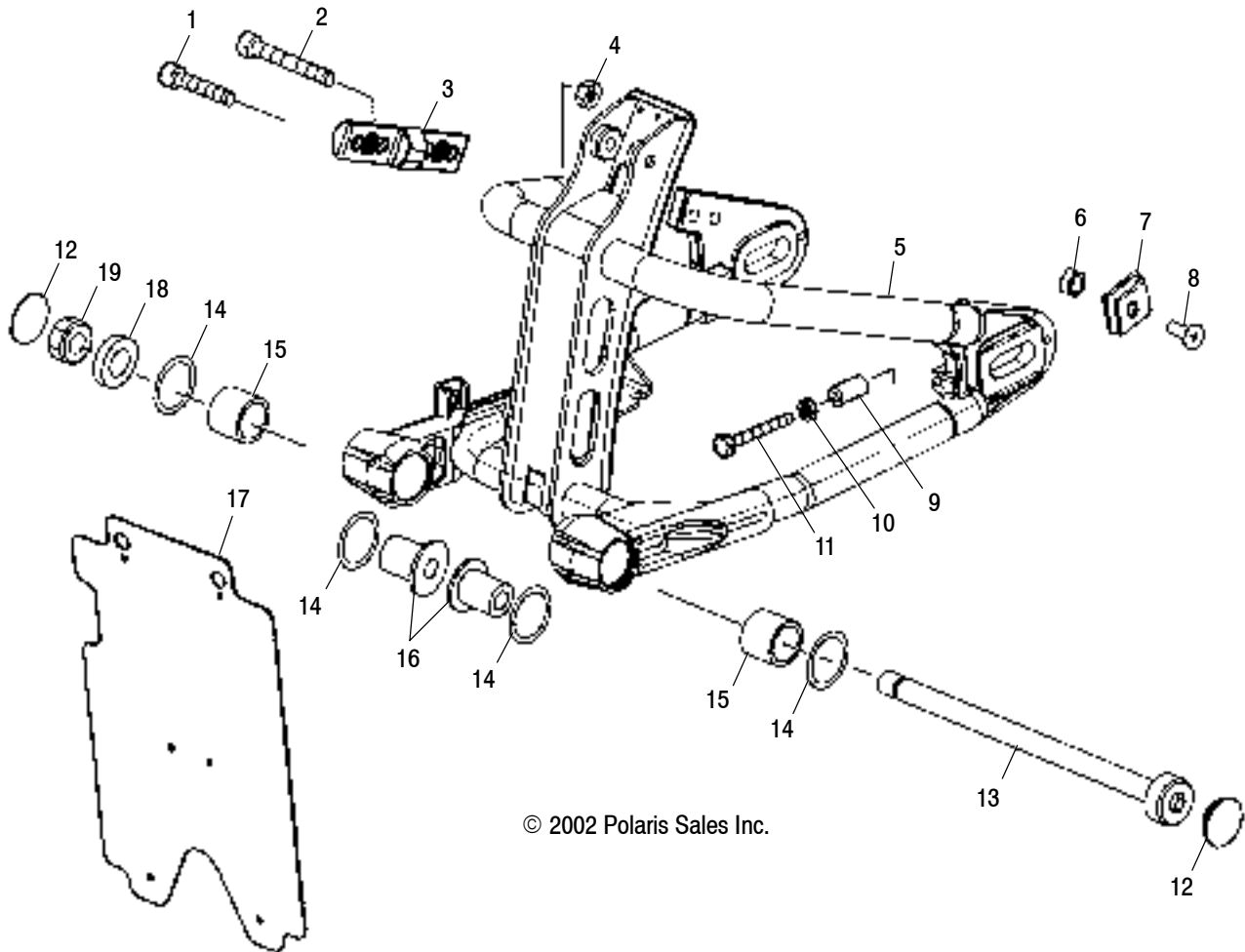
Part numbers may have changed since this microfiche was issued. To ensure that correct parts are received, refer to PartSmart, which is updated monthly.

Ref. Part No.	Qty.	Description	Ref. Part No.	Qty.	Description
1	1	1012961-067 Cover, Subframe, Black	7	6	7517946 Screw
	1	1012961-385 Cover, Subframe, Silver	8	2	7517835 Screw
2	1	7080935 Clamp, Rubber Coated	9	1	7080998 Clamp, Vinyl Coated
3	8	7547039 Nut	10	2	7517705 Screw
4	1	1012953-067 Subframe, Rear, Black	11	4	7518170 Screw
	1	1012953-385 Subframe, Rear, Silver	12	2	7556164 Washer, Flat
5	1	5244574-067 Subframe, Black, LH	13	1	5244575-067 Subframe, Black, RH
	1	5244574-385 Subframe, Silver, LH		1	5244575-385 Subframe, Silver, RH
6	10	7556123 Washer			

8/02

SWING ARM

CLASSIC CRUISER V03CB16CA and CLASSIC CRUISER V03CB16CB and CLASSIC CRUISER V03CB16CC and CLASSIC CRUISER V03CB16CD and CLASSIC CRUISER V03CB16DA and CLASSIC CRUISER V03CB16DB and CLASSIC CRUISER V03CB16DC and CLASSIC CRUISER V03CB16DD and CLASSIC CRUISER V03CB16LA and CLASSIC CRUISER V03CB16LB and CLASSIC CRUISER V03CB16LC and CLASSIC CRUISER V03CB16LD and CLASSIC CRUISER V03CB16UA and CLASSIC CRUISER V03CB16UB and CLASSIC CRUISER V03CB16UC and CLASSIC CRUISER V03CB16UD



© 2002 Polaris Sales Inc.

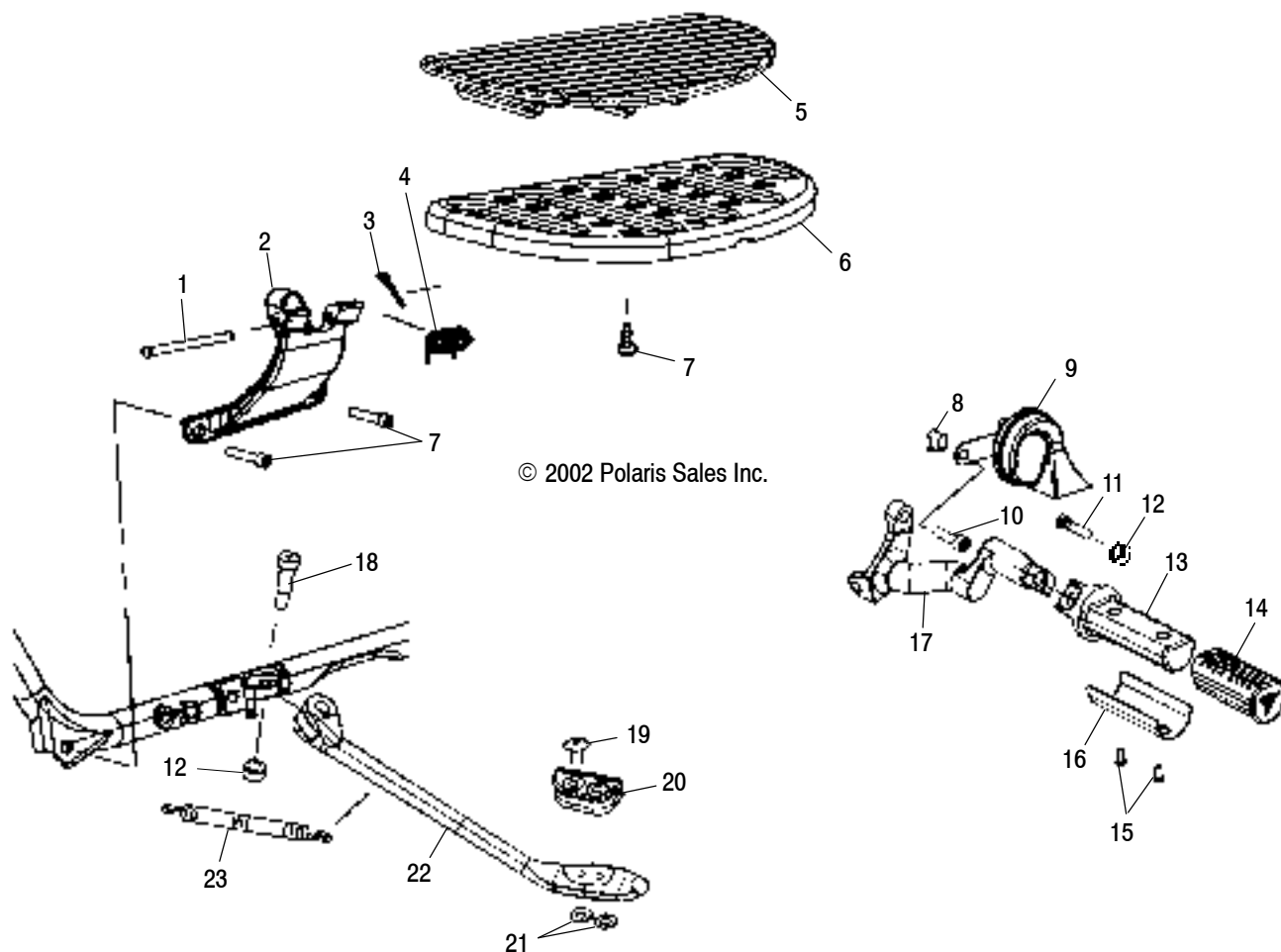
Part numbers may have changed since this microfiche was issued. To ensure that correct parts are received, refer to PartSmart, which is updated monthly.

Ref.	Part No.	Qty.	Description
1	7518057	2	Screw (Black)
	7518123	2	Screw (Silver)
2	7518058	2	Screw (Black)
	7518131	2	Screw (Silver)
3	1013255-067	1	Link, Removable, Black
	1013255-385	1	Link, Removable, Silver
4	7547039	2	Nut (Black)
	7547239	2	Nut (Silver)
5	1013405-067	1	Arm, Swing, Black
	1013405-385	1	Arm, Swing, Silver
6	7547120	1	Nut
7	7080983	1	Clamp, Brake, Rear
8	7517705	1	Screw

Ref.	Part No.	Qty.	Description
9	5131908	2	Spacer, Swing Arm Alignment
10	7547076	2	Nut
11	7517508	2	Screw
12	5132481-156	2	Cap, Swing Arm Pivot, Chrome
13	1013183	1	Shaft, Swing Arm Pivot
14	5411367	4	O-Ring
15	5432767	2	Bushing, Swing Arm
16	5010445	2	Sleeve, Swing Arm
17	1013253	1	Flap, Debris
18	7556021	2	Washer
19	7547048	1	Nut, FLEXLOC

FLOORBOARD and SIDE STAND

CLASSIC CRUISER V03CB16CA and CLASSIC CRUISER V03CB16CB and CLASSIC CRUISER V03CB16CC and CLASSIC CRUISER V03CB16CD and CLASSIC CRUISER V03CB16DA and CLASSIC CRUISER V03CB16DB and CLASSIC CRUISER V03CB16DC and CLASSIC CRUISER V03CB16DD and CLASSIC CRUISER V03CB16LA and CLASSIC CRUISER V03CB16LB and CLASSIC CRUISER V03CB16LC and CLASSIC CRUISER V03CB16LD and CLASSIC CRUISER V03CB16UA and CLASSIC CRUISER V03CB16UB and CLASSIC CRUISER V03CB16UC and CLASSIC CRUISER V03CB16UD



Part numbers may have changed since this microfiche was issued. To ensure that correct parts are received, refer to PartSmart, which is updated monthly.

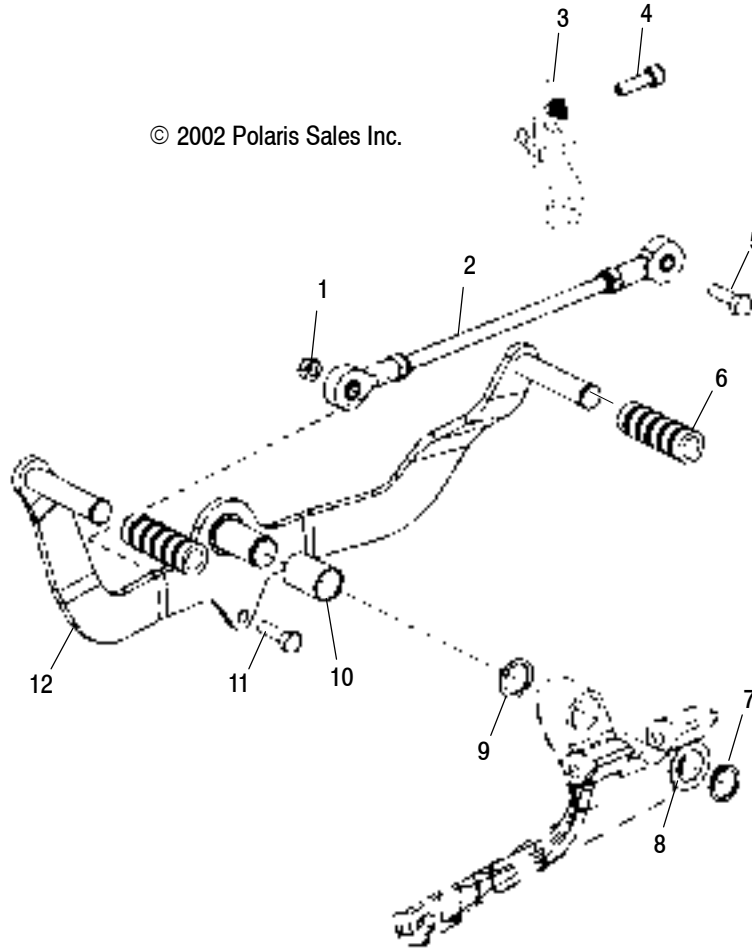
Ref.	Part No.	Qty.	Description
1	7661095	2	Pin, Floorboard Support
2	5132429-067	1	Support, Floorboard, Black, LH
	5132429-385	1	Support, Floorboard, Silver, LH
	5132430-067	1	Support, Floorboard, Black, RH
	5132430-385	1	Support, Floorboard, Silver, RH
3	7661094	2	Pin, Cotter
4	7041623	2	Spring, Floorboard Support
5	5412025	1	Pad, Floorboard, LH
	5412026	1	Pad, Floorboard, RH
6	5132228	1	Floorboard, LH
	5132229	1	Floorboard, RH
7	7517694	2	Screw, Acorn
8	5132658	1	Spacer
9	4010688	1	Horn
10	7518153	1	Screw (LH Side)
	7518123	1	Screw (RH Side)
11	7517525	2	Screw

Ref.	Part No.	Qty.	Description
12	7547039	3	Nut
13	5132303	1	Footpeg, Passenger, LH
	5132304	1	Footpeg, Passenger, RH
14	5411333	1	Pad, Footpeg, Passenger, LH
	5411334	1	Pad, Footpeg, Passenger, RH
15	7517767	4	Screw
16	5243767-067	2	Cover, Footpeg
17	5244041-067	1	Support, Footpeg, Passenger, LH
	5244042-067	1	Support, Footpeg, Passenger, RH
18	7517404	1	Screw
19	7661064	2	Rivet
20	5411745	1	Pad, Side Stand
21	7556121	2	Washer, Flat
22	1013062	1	Asm., Stand, Side (Incl. 19,20,21)
23	7042047	1	Spring

SHIFT LEVER

CLASSIC CRUISER V03CB16CA and CLASSIC CRUISER V03CB16CB and CLASSIC CRUISER V03CB16CC and CLASSIC CRUISER V03CB16CD and CLASSIC CRUISER V03CB16DA and CLASSIC CRUISER V03CB16DB and CLASSIC CRUISER V03CB16DC and CLASSIC CRUISER V03CB16DD and CLASSIC CRUISER V03CB16LA and CLASSIC CRUISER V03CB16LB and CLASSIC CRUISER V03CB16LC and CLASSIC CRUISER V03CB16LD and CLASSIC CRUISER V03CB16UA and CLASSIC CRUISER V03CB16UB and CLASSIC CRUISER V03CB16UC and CLASSIC CRUISER V03CB16UD

© 2002 Polaris Sales Inc.



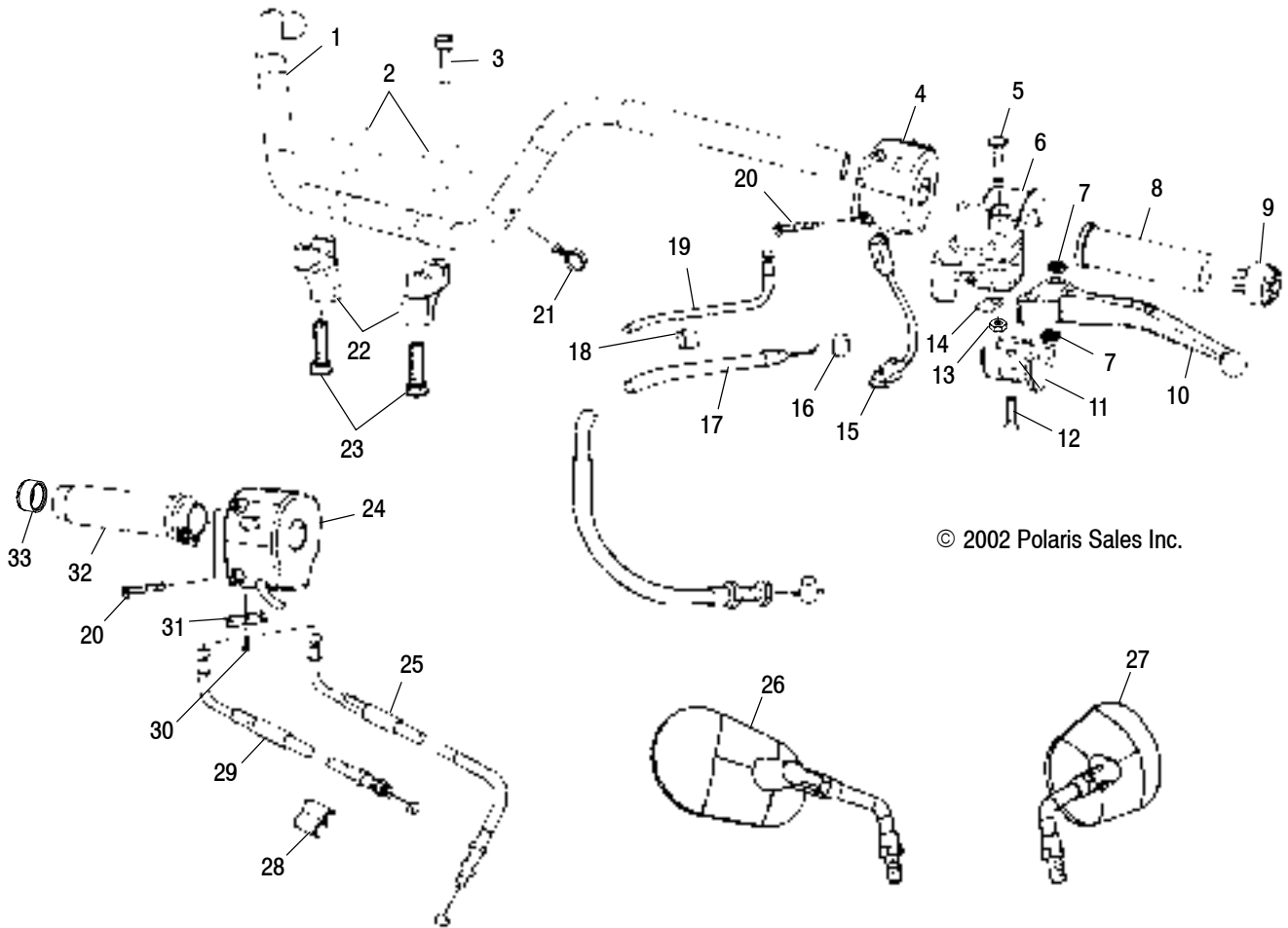
Part numbers may have changed since this microfiche was issued. To ensure that correct parts are received, refer to PartSmart, which is updated monthly.

Ref. Part No.	Qty.	Description	Ref. Part No.	Qty.	Description
1	1	Nut	7	1	Ring, Retaining
2	1	Rod, Shifter	8	1	Washer, Flat
3	1	Lever, Shifter	9	1	Washer, Wave
4	1	Screw	10	1	Bearing, Shift Pedal
5	1	Screw	11	1	Screw
6	2	Pad, Shift Pedal	12	1	Pedal, Shifter

8/02

HANDLEBAR

CLASSIC CRUISER V03CB16CA and CLASSIC CRUISER V03CB16CB and CLASSIC CRUISER V03CB16CC and CLASSIC CRUISER V03CB16CD and CLASSIC CRUISER V03CB16DA and CLASSIC CRUISER V03CB16DB and CLASSIC CRUISER V03CB16DC and CLASSIC CRUISER V03CB16DD and CLASSIC CRUISER V03CB16LA and CLASSIC CRUISER V03CB16LB and CLASSIC CRUISER V03CB16LC and CLASSIC CRUISER V03CB16LD and CLASSIC CRUISER V03CB16UA and CLASSIC CRUISER V03CB16UB and CLASSIC CRUISER V03CB16UC and CLASSIC CRUISER V03CB16UD



© 2002 Polaris Sales Inc.

Part numbers may have changed since this microfiche was issued. To ensure that correct parts are received, refer to PartSmart, which is updated monthly.

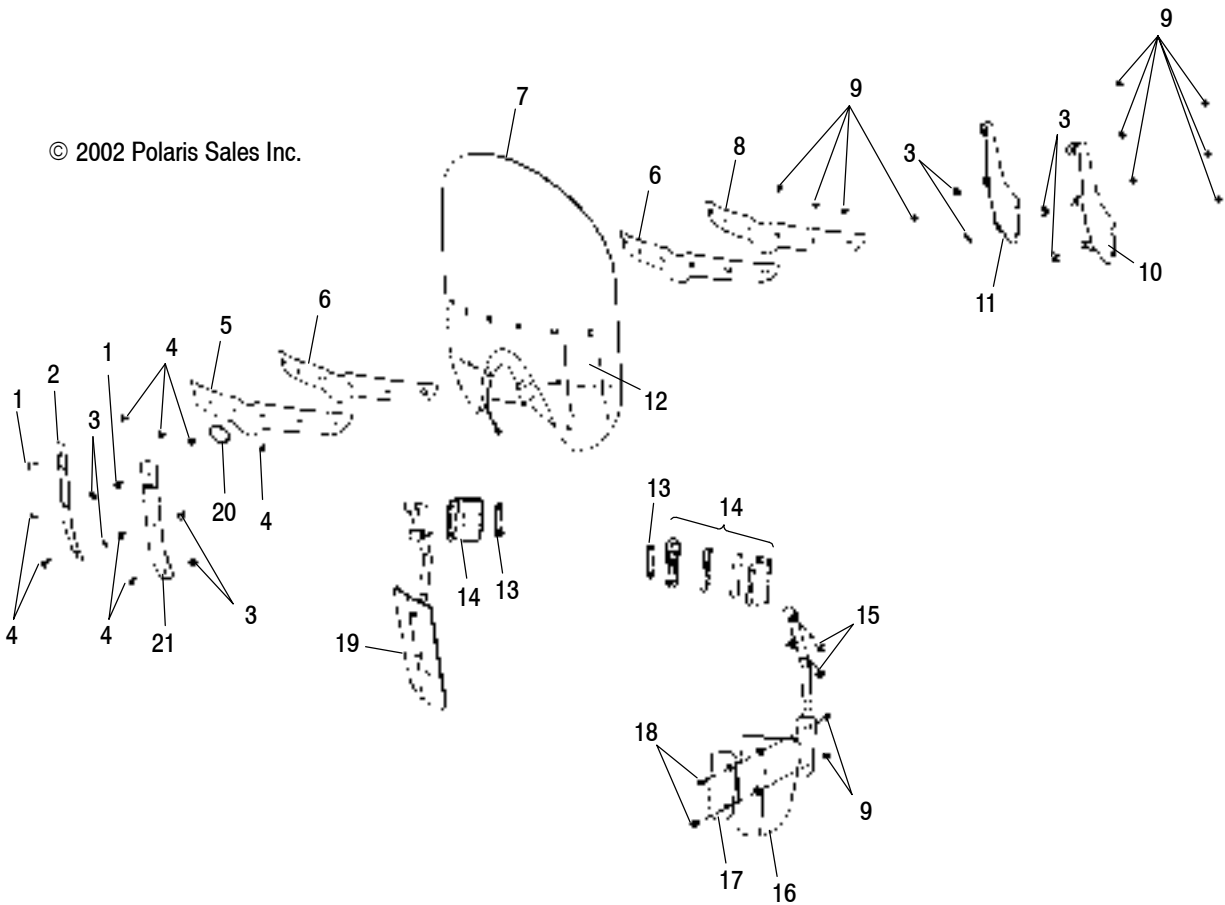
Ref.	Part No.	Qty.	Description
1	5244831	1	Handlebar
2	5333903	2	Cap, Riser
3	7517361	4	Screw
4	4010562 4010786	1 1	Switch, Hand Control, Chrome, LH Switch, Hand Control Silver, LH
5	2201229 5133537	1 1	Kit, Lever Hardware (Incl. 7,13,14) Pin, Clutch Lever Screw
6	5133535	1	Bracket, Clutch/Mirror, Silver
7	5433164	2	Washer, Clutch Lever
8	5411256	1	Grip, Handlebar, LH
9	5432692	1	Cap, Handlebar End, LH
10	5131562	1	Lever, Clutch, Hand, LH
11	5133536	1	Cap, Clutch/Mirror Bracket, Silver
12	7517630	2	Screw
13	7547092	1	Nut, Nylok
14	5243113	1	Clip, Switch
15	4110257	1	Switch, Safety, Clutch
16	5433071	1	Bushing, Clutch Cable, Upper

Ref.	Part No.	Qty.	Description
17	7081017	1	Cable, Clutch
18	5433070	2	Clip, Clutch, Cable, Fast Idle
19	7080716	1	Cable, Fast Idle
20	7517366	4	Screw
21	5433140	4	Dart, Handlebar
22	5132424	2	Riser, Handlebar
23	7517586	2	Screw
24	4010571 4010787	1 1	Switch, Hand Control, Chrome, RH Switch, Hand Control, Silver, RH
25	7080724	1	Cable, Throttle, Push
26	2632261	1	Mirror, RH
27	2632260	1	Mirror, LH
28	5433039	2	Clip, Throttle Cables, Dual
29	7080725	1	Cable, Throttle, Pull
30	7517420	1	Screw
31	5242448	1	Retainer, Throttle Cable, Right
32	5411255	1	Grip, Throttle, Handlebar
33	5432715	1	Cap, Handlebar End, RH

8/02

WINDSHIELD

CLASSIC CRUISER V03CB16CA and CLASSIC CRUISER V03CB16CB and CLASSIC CRUISER V03CB16CC and CLASSIC CRUISER V03CB16CD and CLASSIC CRUISER V03CB16DA and CLASSIC CRUISER V03CB16DB and CLASSIC CRUISER V03CB16DC and CLASSIC CRUISER V03CB16DD and CLASSIC CRUISER V03CB16LA and CLASSIC CRUISER V03CB16LB and CLASSIC CRUISER V03CB16LC and CLASSIC CRUISER V03CB16LD and CLASSIC CRUISER V03CB16UA and CLASSIC CRUISER V03CB16UB and CLASSIC CRUISER V03CB16UC and CLASSIC CRUISER V03CB16UD



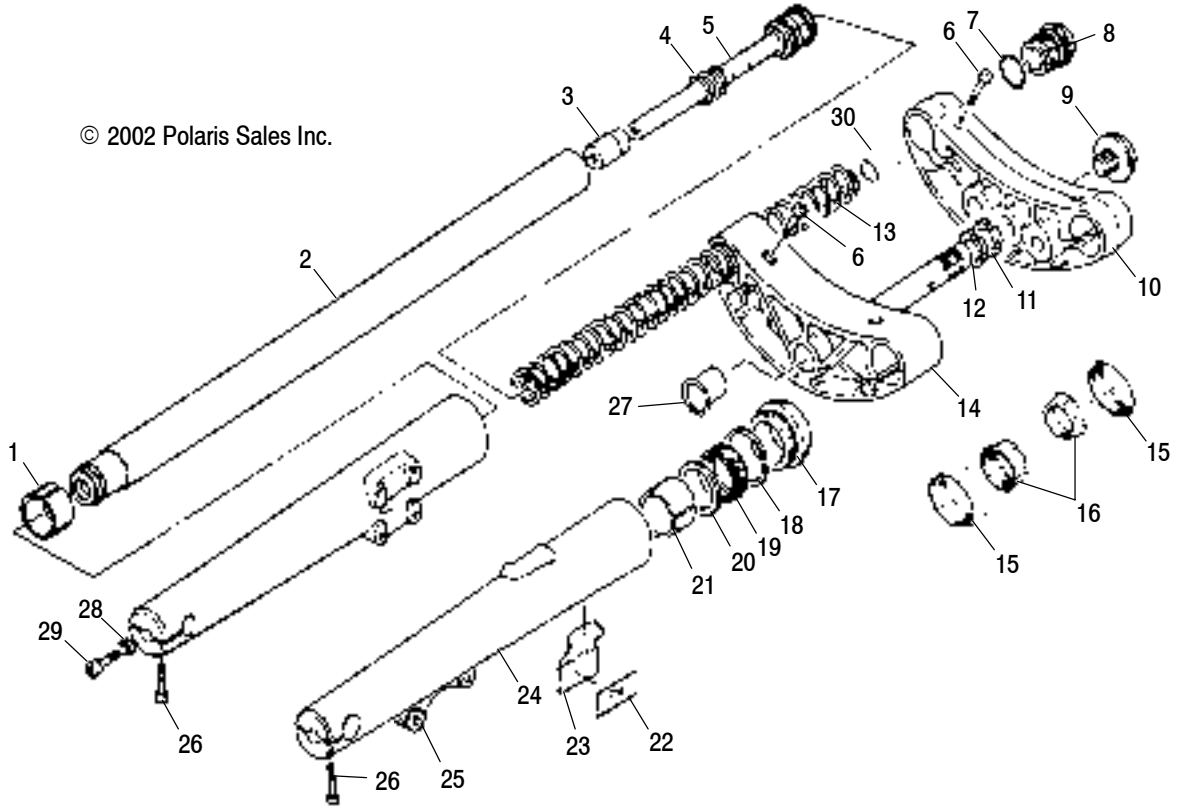
© 2002 Polaris Sales Inc.

Part numbers may have changed since this microfiche was issued. To ensure that correct parts are received, refer to PartSmart, which is updated monthly.

Ref. Part No.	Qty.	Description	Ref. Part No.	Qty.	Description		
1	7518090	2	Screw	13	1013984	2	Plate, Nut
2	5245589	1	Bracket, Front, Windshield, Right	14	1013983	2	Asm., Windshield Clamp
3	7556221	8	Washer, Flat	15	7518133	4	Screw, Flathead
4	7518089	8	Screw	16	5434257	1	Deflector, LH
5	5245590	1	Bracket, Front, Windshield, Top		5434258	1	Deflector, RH
6	5812260	2	Pad, Windshield, Top, Front/Rear	17	5245628	1	Plate, Deflector, Front, LH
7	5433505	1	Windshield		5245629	1	Plate, Deflector, Front, RH
8	5245591	1	Bracket, Rear, Windshield, Top	18	7517754	4	Screw, Flathead
9	7547115	14	Nut, Acorn	19	1013999	1	Asm., Deflector, Lower, LH
10	5246541	1	Bracket, Windshield, Rear, LH		1014001	1	Asm., Deflector, Lower, RH
11	5246542	1	Bracket, Windshield, Rear, RH	20	7079671	1	Badge, Windshield, Stamp Silver
12	7079506	1	Decal, Warn/Caut/Cln, Windshield	21	5245588	1	Bracket, Front, Windshield, Left

FRONT FORKS

CLASSIC CRUISER V03CB16CA and CLASSIC CRUISER V03CB16CB and CLASSIC CRUISER V03CB16CC and CLASSIC CRUISER V03CB16CD and CLASSIC CRUISER V03CB16DA and CLASSIC CRUISER V03CB16DB and CLASSIC CRUISER V03CB16DC and CLASSIC CRUISER V03CB16DD and CLASSIC CRUISER V03CB16LA and CLASSIC CRUISER V03CB16LB and CLASSIC CRUISER V03CB16LC and CLASSIC CRUISER V03CB16LD and CLASSIC CRUISER V03CB16UA and CLASSIC CRUISER V03CB16UB and CLASSIC CRUISER V03CB16UC and CLASSIC CRUISER V03CB16UD



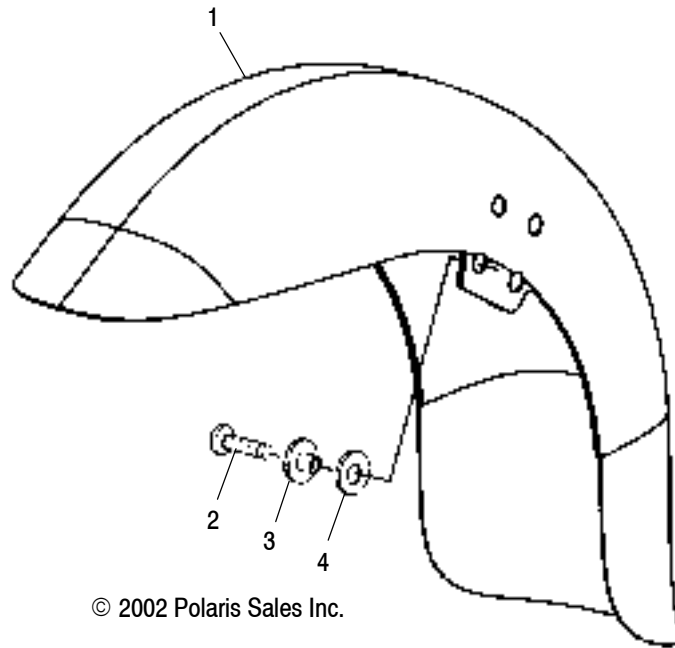
Part numbers may have changed since this microfiche was issued. To ensure that correct parts are received, refer to PartSmart, which is updated monthly.

Ref. Part No.	Qty.	Description
1821191	1	Asm., Fork Leg, LH (Non-Chrome) (Incl. 1-5,7-8,13,17-21,24,26,28-30)
1821353	1	Asm., Fork Leg, Chrome, LH (Incl. 1-5,7-8,13,17-21,24,26,28-30)
1821192	1	Asm., Fork Leg, RH (Non-Chrome) (Incl. 1-5,7-8,13,17-21,25,26,28-30)
1821354	1	Asm., Fork Leg, Chrome, RH (Incl. 1-5,7-8,13,17-21,25,26,28-30)
2872184	1	Oil, Fork
1 3585714	2	Bushing, Lower
2 5131505	2	Tube, Stanchion
3 5131498	2	Foot, Buffer
4 7041624	2	Spring, Rebound
5 2202093	2	Kit, Damper Rod/Segment
5434228	2	Ring, Damper
1500171	2	Rod, Damper
6 1500170	4	Screw
7 5411330	2	O-Ring
8 5131502	2	Plug, Fork
9 5131497	1	Bolt, Steering Post Cap
10 1820952	1	Asm., Clamp, Upper, Silver (Incl. 6)
1821175	1	Asm., Clamp, Upper, Chrome (Incl. 6)
11 5131953	1	Nut, Steering Post, Upper
12 5131496	1	Nut, Steering Post

Ref. Part No.	Qty.	Description
13 7042026	2	Spring, Compression
14 1820927	1	Asm., Triple Clamp, Lower, Silver (Incl. 6,9,11,12)
1821172	1	Asm., Triple Clamp, Lower, Chrome (Incl. 6,9,11,12)
15 3554507	2	Bearing, Tapered Roller Cup
16 3554510	2	Bearing, Tapered, Sealed
17 5133283	2	Cap, Dust
3610086	2	Seal, Dust Cap
18 5211827	2	Ring, Stop
19 3610068	2	Seal, Oil
20 5131504	2	Cap, Oil Seal
21 3585715	2	Bushing, Upper
22 5433878	2	Reflector
23 5433864	1	Base, Reflector, LH
5433748	1	Base, Reflector, RH
24 2202092	1	Kit, Slider Unit, LH, Silver (Incl. 18-21)
25 2202094	1	Kit, Slider Unit, RH, Silver (Incl. 18-21)
26 1500168	4	Screw
27 5433581	1	Cap, PVC
28 3610069	2	Washer, Oil Seal
29 1500169	2	Screw
30 5521585	2	Spacer, Preload

FRONT FENDER

CLASSIC CRUISER V03CB16CA and CLASSIC CRUISER V03CB16CB and CLASSIC CRUISER V03CB16CC and CLASSIC CRUISER V03CB16CD and CLASSIC CRUISER V03CB16DA and CLASSIC CRUISER V03CB16DB and CLASSIC CRUISER V03CB16DC and CLASSIC CRUISER V03CB16DD and CLASSIC CRUISER V03CB16LA and CLASSIC CRUISER V03CB16LB and CLASSIC CRUISER V03CB16LC and CLASSIC CRUISER V03CB16LD and CLASSIC CRUISER V03CB16UA and CLASSIC CRUISER V03CB16UB and CLASSIC CRUISER V03CB16UC and CLASSIC CRUISER V03CB16UD



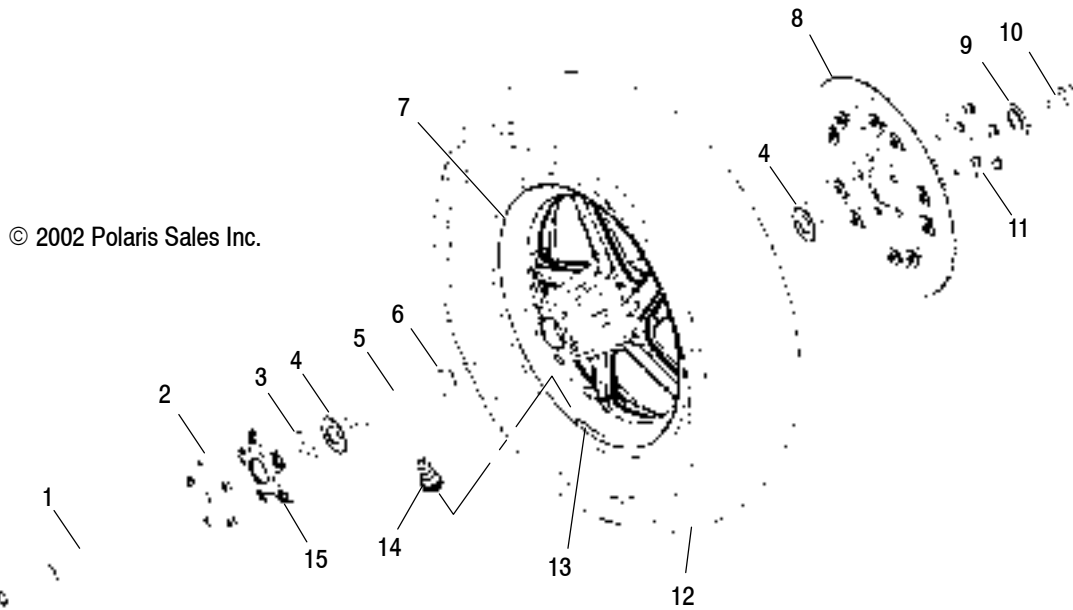
Part numbers may have changed since this microfiche was issued. To ensure that correct parts are received, refer to PartSmart, which is updated monthly.

Ref. Part No.	Qty.	Description
1	1	Fender, Front, Black
5241833-341	1	Fender, Front, Sonic Blue
5241833-342	1	Fender, Front, Solar Red
5241833-388	1	Fender, Front, Yellow
5241833-384	1	Fender, Front, Flame
5241833B1	1	Fender, Front, Blue/Silver
5241833B2	1	Fender, Front, Red/Silver
5241833B3	1	Fender, Front, Yellow/Black
5241833B4	1	Fender, Front, Turquoise/White
2	8	Screw

Ref. Part No.	Qty.	Description
3	8	Bushing, Fender Mount
4	8	Bushing, Rubber

FRONT WHEEL (CAST)

CLASSIC CRUISER V03CB16CA and CLASSIC CRUISER V03CB16CB and CLASSIC CRUISER V03CB16CC and CLASSIC CRUISER V03CB16CD and CLASSIC CRUISER V03CB16DA and CLASSIC CRUISER V03CB16DB and CLASSIC CRUISER V03CB16DC and CLASSIC CRUISER V03CB16DD and CLASSIC CRUISER V03CB16LA and CLASSIC CRUISER V03CB16LB and CLASSIC CRUISER V03CB16LC and CLASSIC CRUISER V03CB16LD and CLASSIC CRUISER V03CB16UA and CLASSIC CRUISER V03CB16UB and CLASSIC CRUISER V03CB16UC and CLASSIC CRUISER V03CB16UD



Part numbers may have changed since this microfiche was issued. To ensure that correct parts are received, refer to PartSmart, which is updated monthly.

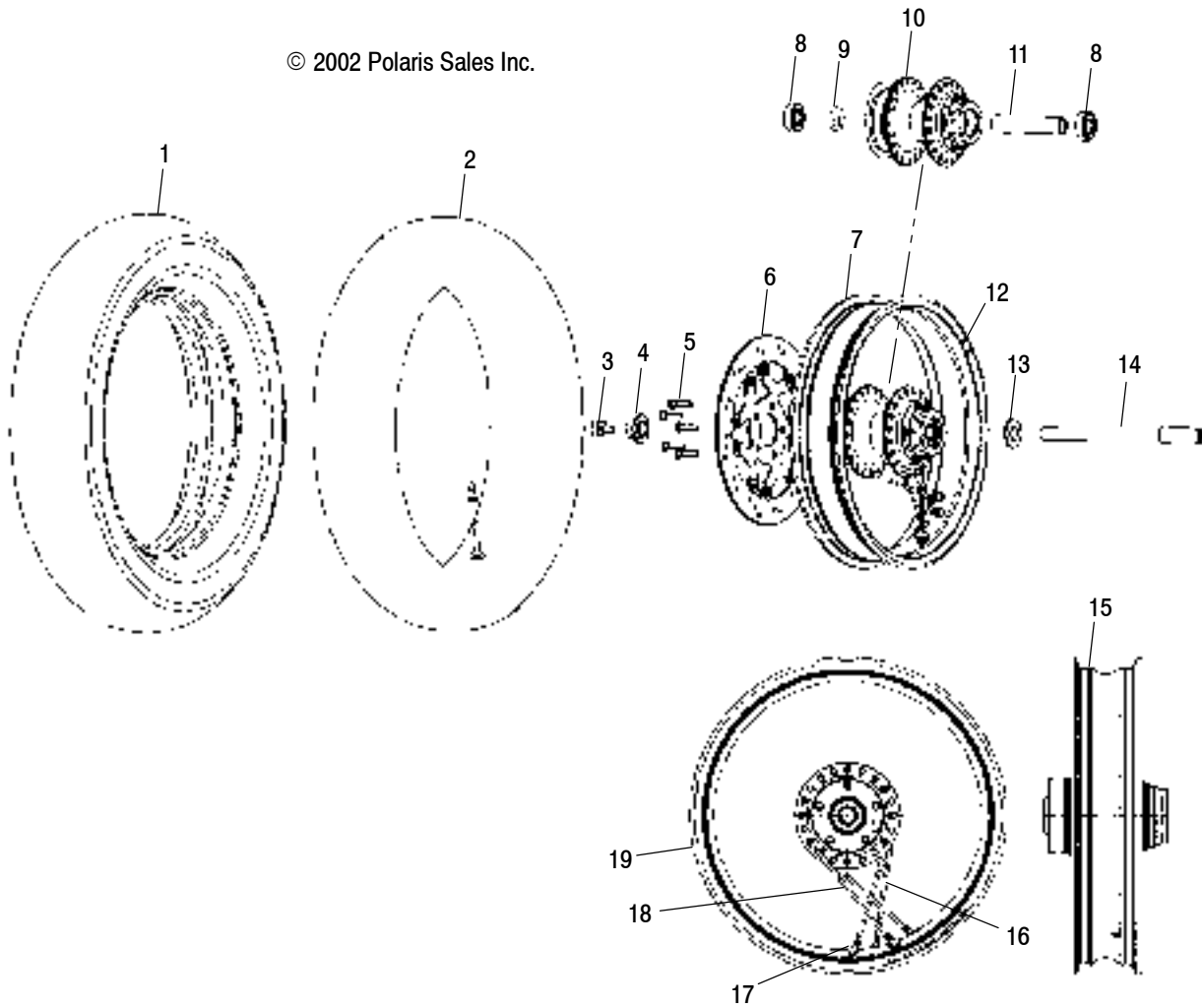
Ref.	Part No.	Qty.	Description	Ref.	Part No.	Qty.	Description
1	5133094	1	Axle, Front	9	5333558	1	Spacer, Front Axle
2	7517502	5	Screw	10	7517936	1	Screw
3	5333768	1	Spacer, Bearing, Front Wheel	11	7517978	5	Screw
4	3513509	2	Bearing, Ball	12	5411253	1	Tire, Front (16x3)
5	5132323	1	Spacer, Bearing	13	1520253	AR	Weight, Balance
6	5411820	1	O-Ring	14	1520232	1	Valve, Rim
7	5132634	1	Wheel, Front	15	5244910-385	1	Cap, Hub, Silver
8	1910435	1	Rotor, Brake, Front				

10/02

FRONT WHEEL (LACED)

CLASSIC CRUISER V03CB16CA and CLASSIC CRUISER V03CB16CB and CLASSIC CRUISER V03CB16CC and CLASSIC CRUISER V03CB16CD and CLASSIC CRUISER V03CB16DA and CLASSIC CRUISER V03CB16DB and CLASSIC CRUISER V03CB16DC and CLASSIC CRUISER V03CB16DD and CLASSIC CRUISER V03CB16LA and CLASSIC CRUISER V03CB16LB and CLASSIC CRUISER V03CB16LC and CLASSIC CRUISER V03CB16LD and CLASSIC CRUISER V03CB16UA and CLASSIC CRUISER V03CB16UB and CLASSIC CRUISER V03CB16UC and CLASSIC CRUISER V03CB16UD

© 2002 Polaris Sales Inc.



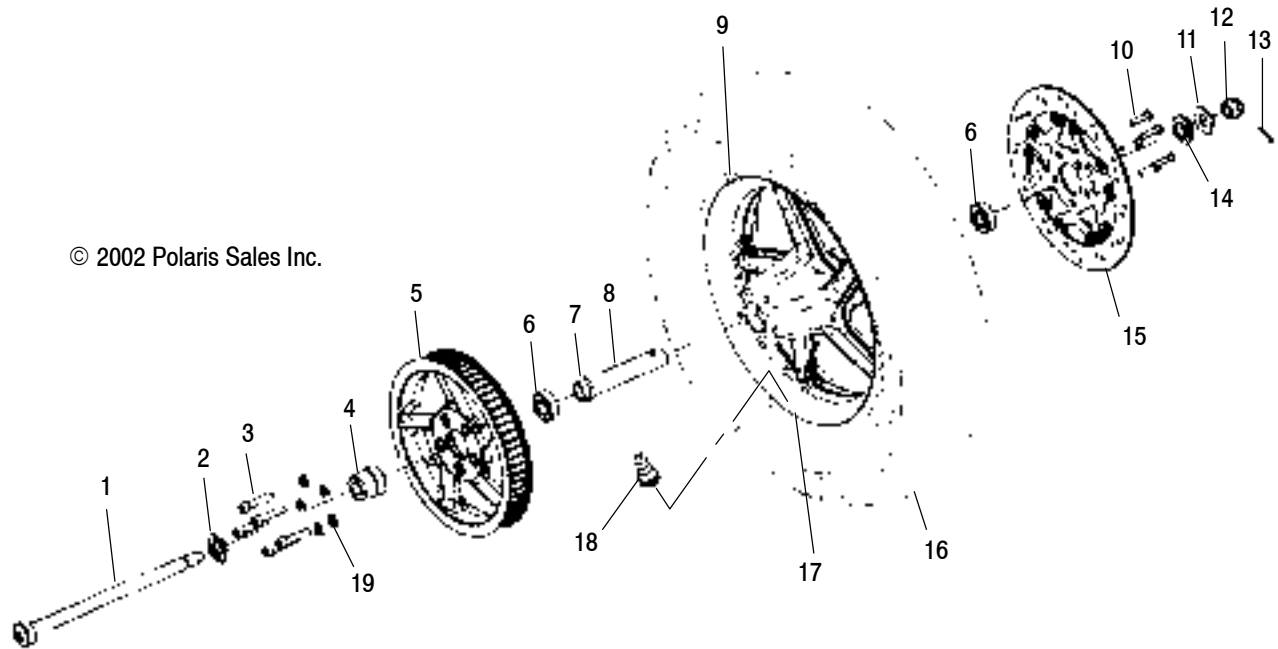
Part numbers may have changed since this microfiche was issued. To ensure that correct parts are received, refer to PartSmart, which is updated monthly.

Ref.	Part No.	Qty.	Description
1	5411253	1	Tire, Front
	5412268	1	Tire, Front, Whitewall
2	1820875	1	Tube, Tire, Inner
3	7517936	1	Screw
4	5333558	1	Spacer
5	7517978	5	Screw
6	1910435	1	Rotor, Brake, Front
7	1520528	1	Asm., Wheel
8	3513509	2	Bearing, Ball
9	5411820	1	O-Ring

Ref.	Part No.	Qty.	Description
10	1520359	1	Asm., Hub, Front
11	5132323	1	Spacer, Bearing
12	1520618	AR	Weight, Balance, 1/4 oz.
13	5333768	1	Spacer, Bearing
14	5133094	1	Axle, Front
15	5812199	1	Flap, Rim
16	5333978	20	Spoke, Inner
17	5132870	40	Nipple, Spoke
18	5333979	20	Spoke, Outer
19	5132864	1	Rim

REAR WHEEL (CAST)

CLASSIC CRUISER V03CB16CA and CLASSIC CRUISER V03CB16CB and CLASSIC CRUISER V03CB16CC and CLASSIC CRUISER V03CB16CD and CLASSIC CRUISER V03CB16DA and CLASSIC CRUISER V03CB16DB and CLASSIC CRUISER V03CB16DC and CLASSIC CRUISER V03CB16DD and CLASSIC CRUISER V03CB16LA and CLASSIC CRUISER V03CB16LB and CLASSIC CRUISER V03CB16LC and CLASSIC CRUISER V03CB16LD and CLASSIC CRUISER V03CB16UA and CLASSIC CRUISER V03CB16UB and CLASSIC CRUISER V03CB16UC and CLASSIC CRUISER V03CB16UD



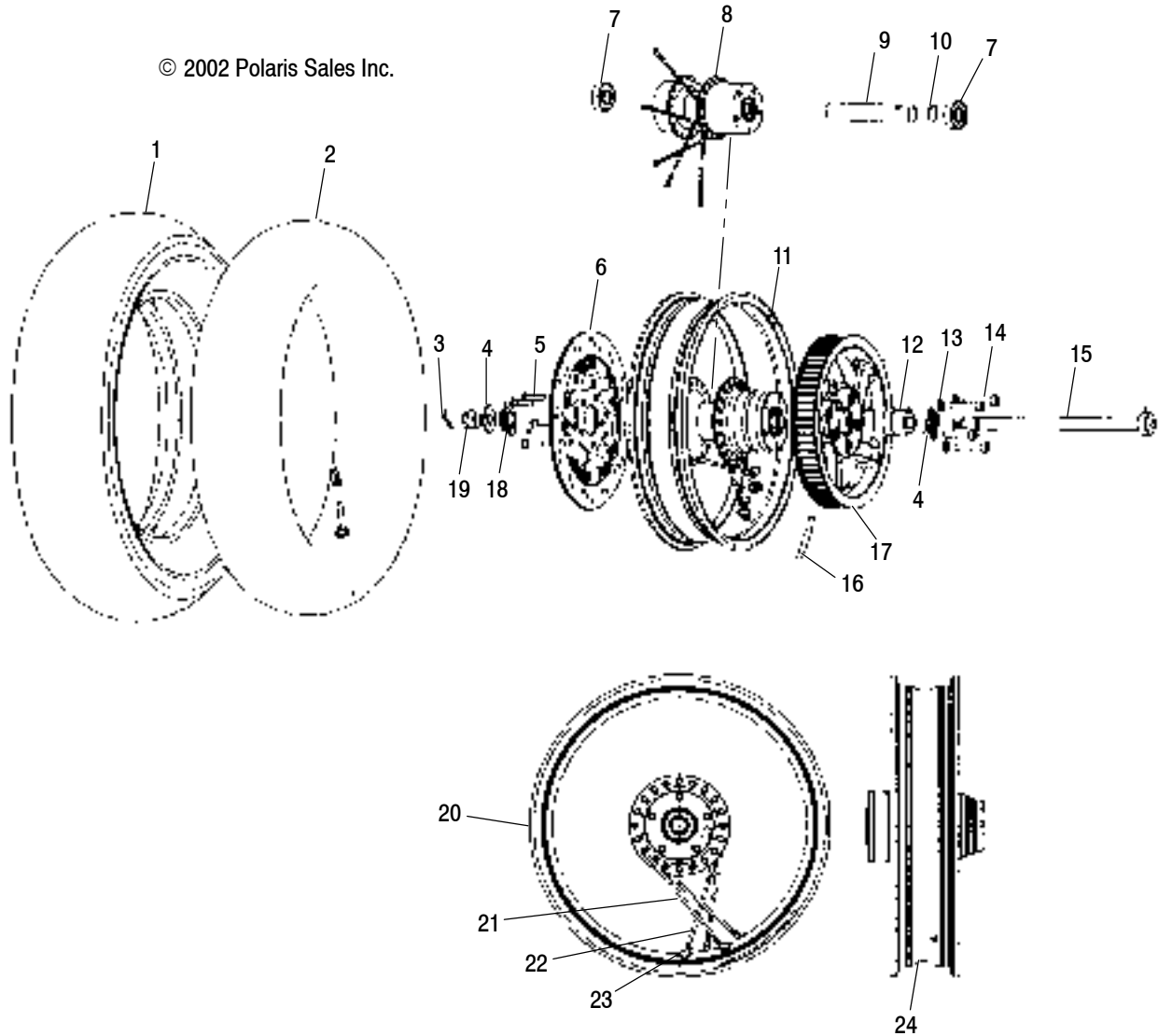
Part numbers may have changed since this microfiche was issued. To ensure that correct parts are received, refer to PartSmart, which is updated monthly.

Ref. Part No.	Qty.	Description	Ref. Part No.	Qty.	Description
1	1	Axle, Rear	11	1	Washer, Indicator, LH
2	1	Washer, Indicator, RH	12	1	Nut
3	5	Screw	13	1	Pin, Cotter
4	1	Spacer, Rear Wheel, RH	14	1	Spacer, Axle, Rear, LH
5	1	Sprocket, Driven, 64T, Silver	15	1	Rotor, Brake
6	2	Bearing, Ball	16	1	Tire, Rear, 16x3.5
7	1	O-Ring	17	1	Wheel, Rear
8	1	Spacer, Bearing, Middle	18	1	Valve, Rim
9	AR	Weight, Balance, 1/4 oz.	19	5	Washer, Flat
10	5	Screw			

REAR WHEEL (LACED)

CLASSIC CRUISER V03CB16CA and CLASSIC CRUISER V03CB16CB and CLASSIC CRUISER V03CB16CC and CLASSIC CRUISER V03CB16CD and CLASSIC CRUISER V03CB16DA and CLASSIC CRUISER V03CB16DB and CLASSIC CRUISER V03CB16DC and CLASSIC CRUISER V03CB16DD and CLASSIC CRUISER V03CB16LA and CLASSIC CRUISER V03CB16LB and CLASSIC CRUISER V03CB16LC and CLASSIC CRUISER V03CB16LD and CLASSIC CRUISER V03CB16UA and CLASSIC CRUISER V03CB16UB and CLASSIC CRUISER V03CB16UC and CLASSIC CRUISER V03CB16UD

© 2002 Polaris Sales Inc.



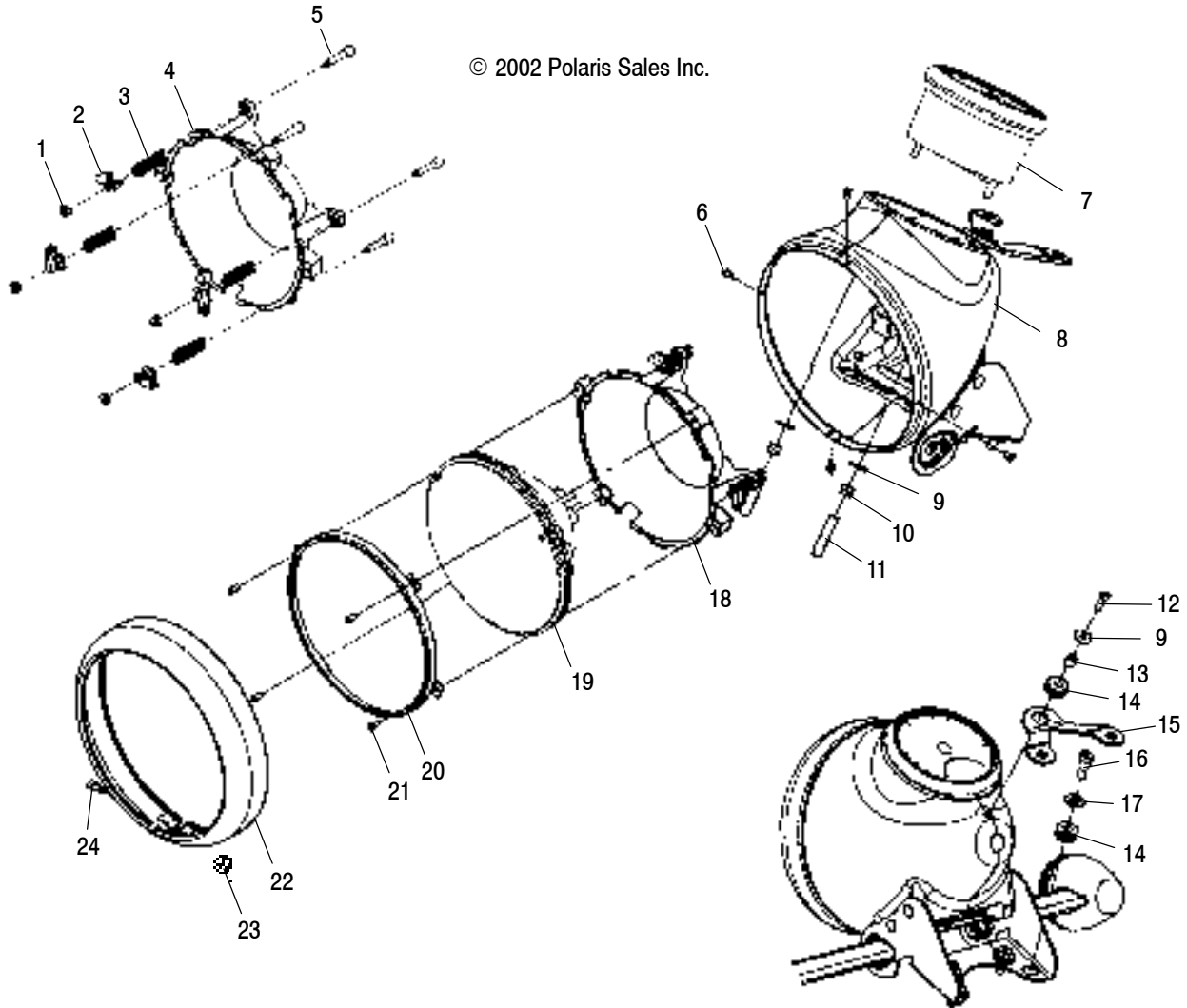
Part numbers may have changed since this microfiche was issued. To ensure that correct parts are received, refer to PartSmart, which is updated monthly.

Ref.	Part No.	Qty.	Description
	1520530	1	Asm. Wheel (Incl. 7-10,21-24)
1	5411970	1	Tire, Rear
	5412269	1	Tire, Rear, Whitewall
2	1820875	1	Tube, Tire, Inner
3	7663003	1	Pin, Cotter
4	5245087-067	1	Washer, Indicator, LH
	5245088-067	1	Washer, Indicator, RH
5	7517978	5	Screw
6	1910498	1	Rotor, Brake, Rear
7	3513509	2	Bearing, Ball
8	1520482	1	Asm., Hub
9	5132314	1	Spacer, Bearing
10	5411820	1	O-Ring
11	1520618	AR	Weight, Balance, 1/4 oz.

Ref.	Part No.	Qty.	Description
12	5132624	1	Spacer, RH
13	7556234	5	Washer, Flat
14	7518044	5	Screw
15	1013184	1	Axle, Rear
16	7079024	1	Decal, Rim, Laced, French
17	1341378	1	Sprocket, 64T
18	5010429	1	Spacer, Axle, Rear
19	7547009	1	Nut, Castle
20	5132867	1	Rim
21	5333979	20	Spoke, Outer
22	5333978	20	Spoke, Inner
23	5132870	40	Nipple, Spoke
24	5812199	1	Flap, Rim

HEADLIGHT

CLASSIC CRUISER V03CB16CA and CLASSIC CRUISER V03CB16CB and CLASSIC CRUISER V03CB16CC and CLASSIC CRUISER V03CB16CD and CLASSIC CRUISER V03CB16DA and CLASSIC CRUISER V03CB16DB and CLASSIC CRUISER V03CB16DC and CLASSIC CRUISER V03CB16DD and CLASSIC CRUISER V03CB16LA and CLASSIC CRUISER V03CB16LB and CLASSIC CRUISER V03CB16LC and CLASSIC CRUISER V03CB16LD and CLASSIC CRUISER V03CB16UA and CLASSIC CRUISER V03CB16UB and CLASSIC CRUISER V03CB16UC and CLASSIC CRUISER V03CB16UD



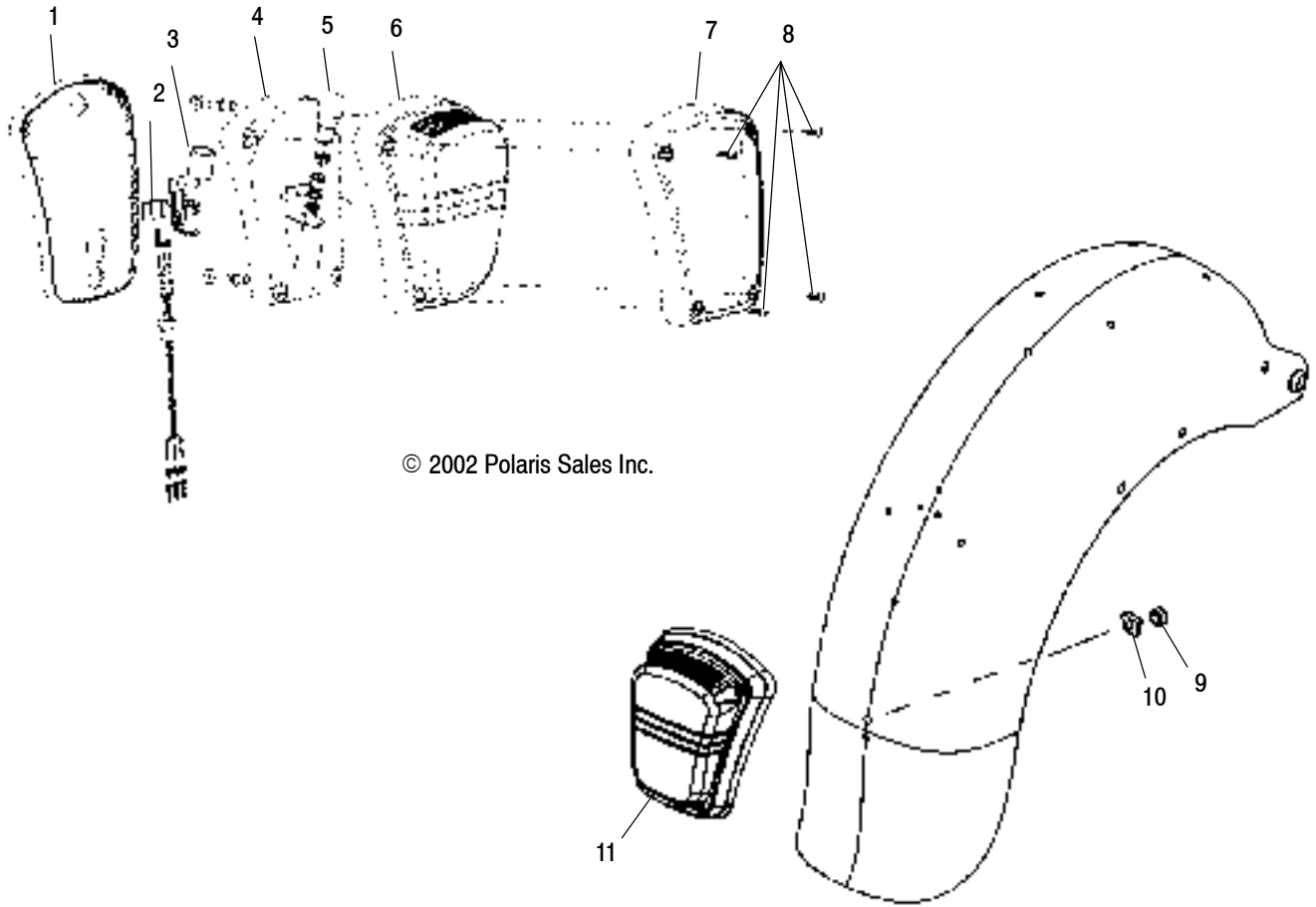
Part numbers may have changed since this microfiche was issued. To ensure that correct parts are received, refer to PartSmart, which is updated monthly.

Ref.	Part No.	Qty.	Description
1	5433953	4	Nut, Adjust
2	1013696	4	Bracket, Adjust
3	7041958	4	Spring
4	5433952	1	Mount, Inner
5	7547162	4	Screw
6	7517486	4	Screw
7	3280446	1	Asm., Gauge, Speed/Tach
	3280447	1	Asm., Gauge, Speed/Tach (Can.)
8	1013272	1	Asm., Headlight Housing
9	7556064	3	Washer, Flat
10	7547106	2	Nut, Nylok
11	5411938	2	Cap, Thread Cover
12	7517504	1	Screw

Ref.	Part No.	Qty.	Description
13	5132725	1	Sleeve, Upper
14	5411982	2	Grommet, Upper
15	5244942	1	Bracket, Upper
16	7517852	4	Screw
17	7556155	4	Washer, Flat
18	1013362	1	Asm, Mount Adjust, Inner
19	4010160	1	Headlight, Sealed Beam
20	5244923	1	Ring, Retaining
21	7517910	4	Screw
22	1013290	1	Bezel
23	7547059	1	Nut, Nylok
24	7517845	1	Screw

TAILLIGHT

CLASSIC CRUISER V03CB16CA and CLASSIC CRUISER V03CB16CB and CLASSIC CRUISER V03CB16CC and CLASSIC CRUISER V03CB16CD and CLASSIC CRUISER V03CB16DA and CLASSIC CRUISER V03CB16DB and CLASSIC CRUISER V03CB16DC and CLASSIC CRUISER V03CB16DD and CLASSIC CRUISER V03CB16LA and CLASSIC CRUISER V03CB16LB and CLASSIC CRUISER V03CB16LC and CLASSIC CRUISER V03CB16LD and CLASSIC CRUISER V03CB16UA and CLASSIC CRUISER V03CB16UB and CLASSIC CRUISER V03CB16UC and CLASSIC CRUISER V03CB16UD



© 2002 Polaris Sales Inc.

Part numbers may have changed since this microfiche was issued. To ensure that correct parts are received, refer to PartSmart, which is updated monthly.

Ref.	Part No.	Qty.	Description
1	5812256	1	Pad, Taillight Mounting
2	5812262	1	Isolator, Taillight
3	5433773	1	Turtleneck, Taillight
4	-----	1	Base
5	4010222	1	Bulb, Dual Filament
6	5432732	1	Lens, Taillight

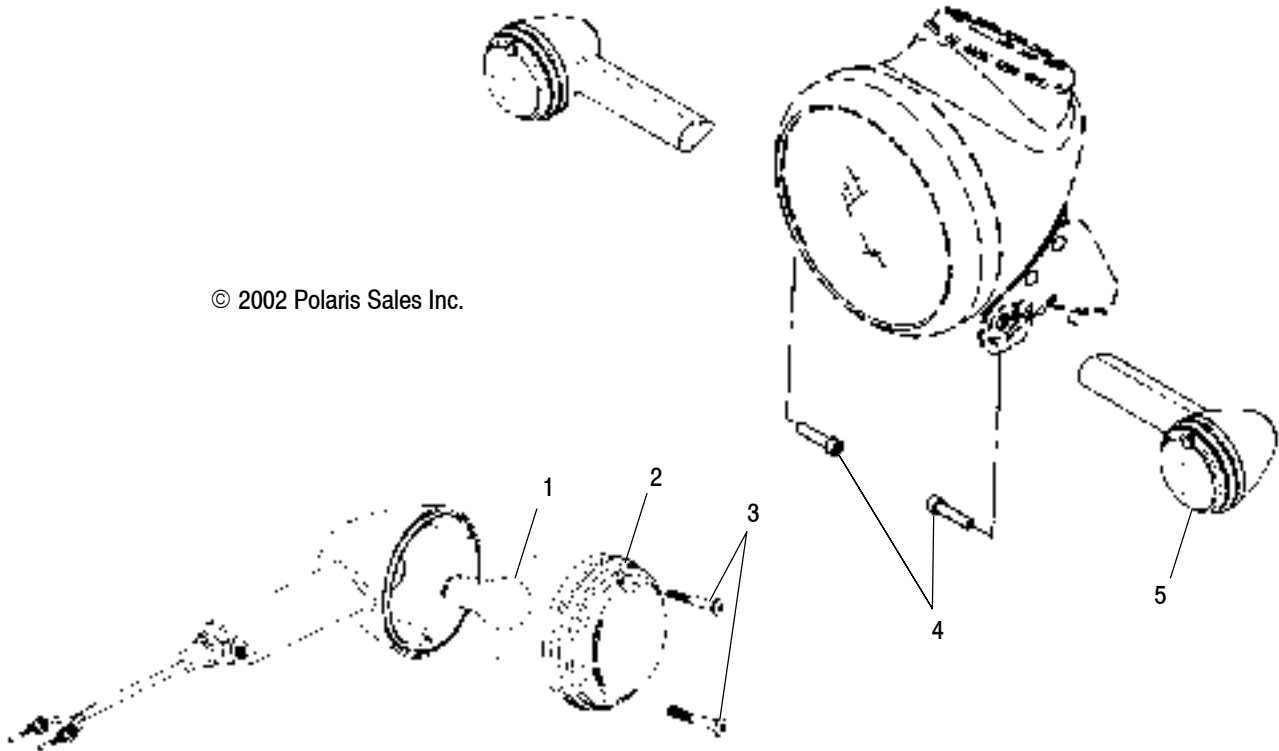
Ref.	Part No.	Qty.	Description
7	5230125	1	Bezel, Taillight
8	7517237	4	Screw
9	7547120	2	Nut
10	5131842	2	Spacer, Taillamp, Fender, Rear
11	2410219	1	Asm., Taillight (Incl. 1-8)

8/02

FRONT TURN SIGNAL

CLASSIC CRUISER V03CB16CA and CLASSIC CRUISER V03CB16CB and CLASSIC CRUISER V03CB16CC and CLASSIC CRUISER V03CB16CD and CLASSIC CRUISER V03CB16DA and CLASSIC CRUISER V03CB16DB and CLASSIC CRUISER V03CB16DC and CLASSIC CRUISER V03CB16DD and CLASSIC CRUISER V03CB16LA and CLASSIC CRUISER V03CB16LB and CLASSIC CRUISER V03CB16LC and CLASSIC CRUISER V03CB16LD and CLASSIC CRUISER V03CB16UA and CLASSIC CRUISER V03CB16UB and CLASSIC CRUISER V03CB16UC and CLASSIC CRUISER V03CB16UD

© 2002 Polaris Sales Inc.



Ref. Part No.	Qty.	Description
1 4030064	2	Bulb, Dual Filament, 198
2 2201419	2	Kit, Turn Signal Lens (Incl. 4)
3 7517369	4	Screw

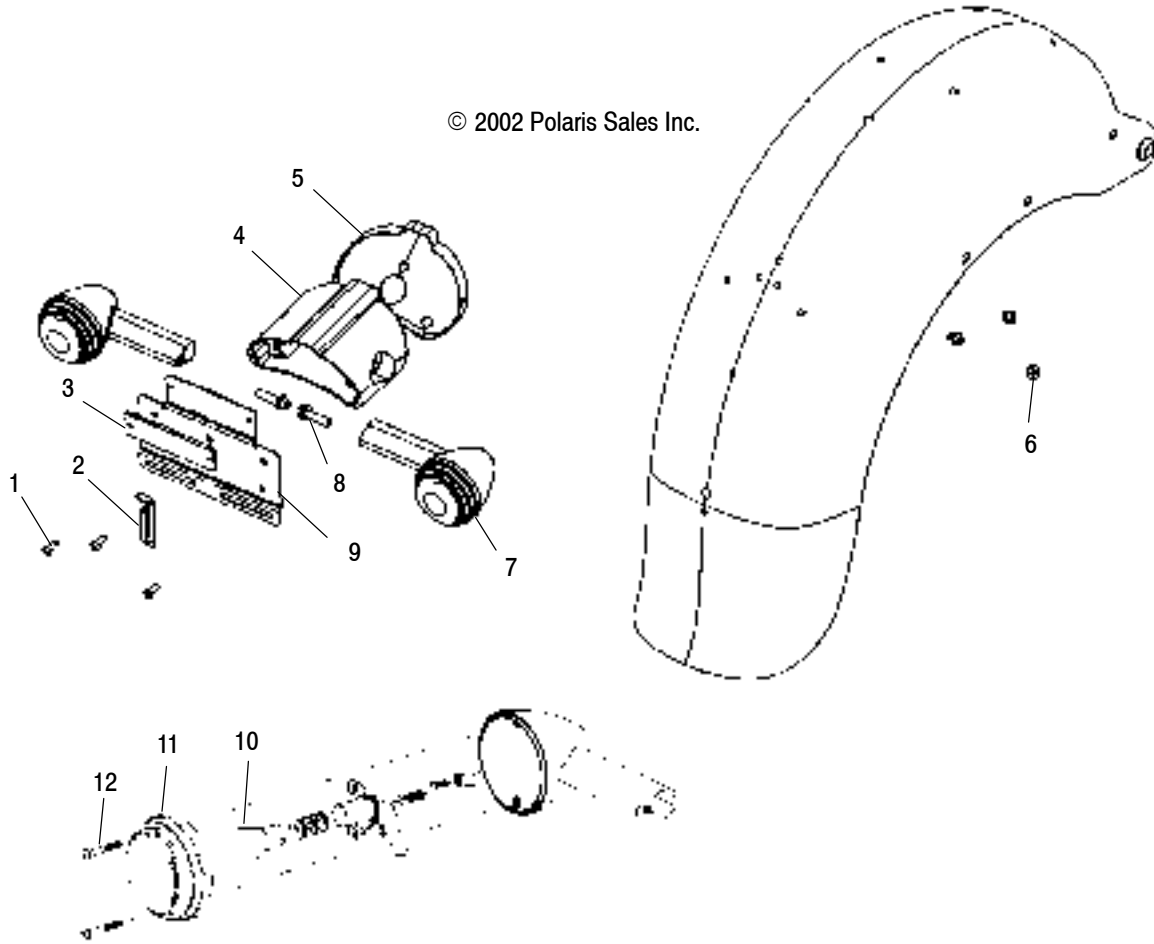
Ref. Part No.	Qty.	Description
4 7517517	2	Screw
5 2410244	1	Asm., Turn Signal Front, Left
2410245	1	Asm., Turn Signal, Front, Right

11/01

REAR TURN SIGNAL

CLASSIC CRUISER V03CB16CA and CLASSIC CRUISER V03CB16CB and CLASSIC CRUISER V03CB16CC and CLASSIC CRUISER V03CB16CD and CLASSIC CRUISER V03CB16DA and CLASSIC CRUISER V03CB16DB and CLASSIC CRUISER V03CB16DC and CLASSIC CRUISER V03CB16DD and CLASSIC CRUISER V03CB16LA and CLASSIC CRUISER V03CB16LB and CLASSIC CRUISER V03CB16LC and CLASSIC CRUISER V03CB16LD and CLASSIC CRUISER V03CB16UA and CLASSIC CRUISER V03CB16UB and CLASSIC CRUISER V03CB16UC and CLASSIC CRUISER V03CB16UD

© 2002 Polaris Sales Inc.



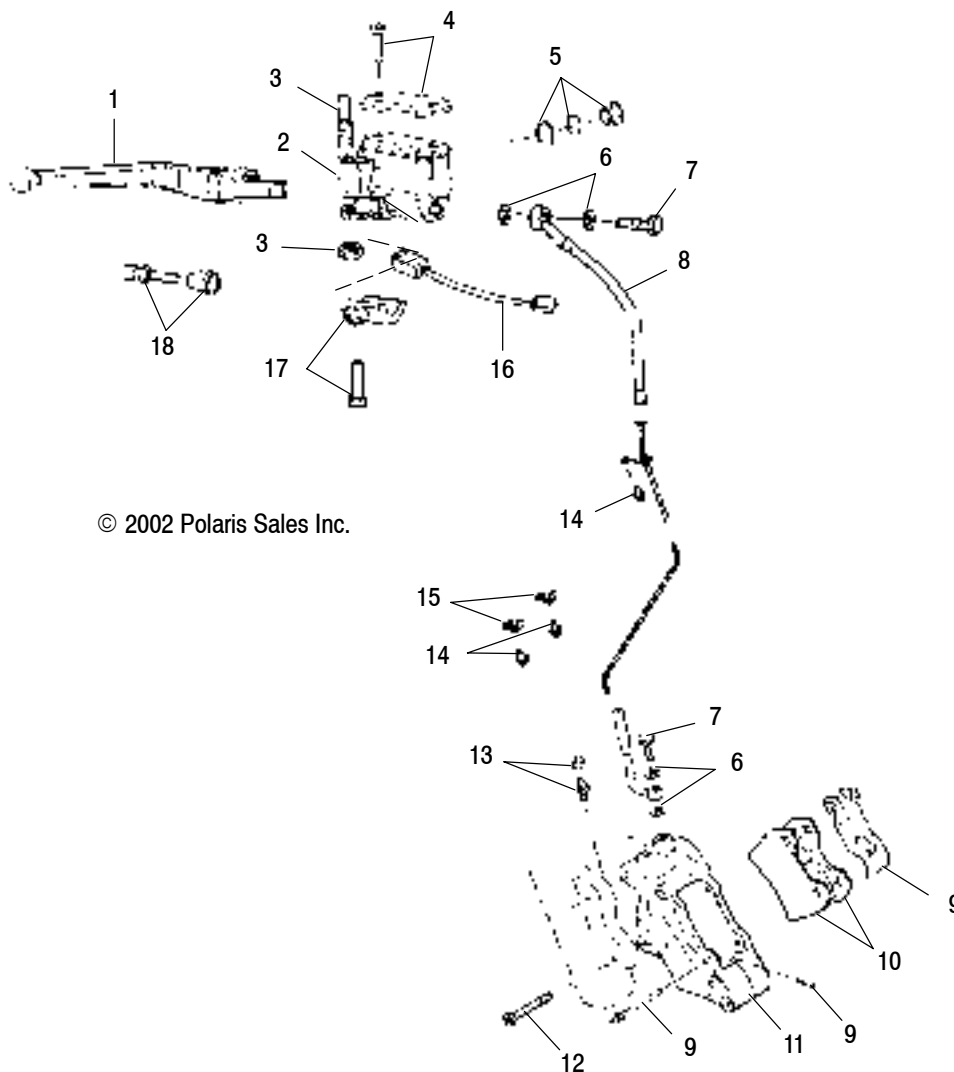
Ref. Part No.	Qty.	Description
1 7517494	3	Screw
2 5241885	1	Retainer, License Plate
3 5432992	1	Reflector, Rear, Red
4 5132513	1	Mount, Taillight
5 5812043	1	Gasket, Taillight Mount
6 7517886	3	Screw

Ref. Part No.	Qty.	Description
7 2410218	1	Asm., Turn Signal, Rear, Left
2410217	1	Asm., Turn Signal, Rear, Right
8 7517696	2	Screw
9 1013289	1	Holder, License
10 4030065	2	Bulb, Single Filament, 199
11 2201419	4	Kit, Turn Signal Lens (Incl. 12)
12 7517369	8	Screw

11/01

FRONT BRAKE

CLASSIC CRUISER V03CB16CA and CLASSIC CRUISER V03CB16CB and CLASSIC CRUISER V03CB16CC and CLASSIC CRUISER V03CB16CD and CLASSIC CRUISER V03CB16DA and CLASSIC CRUISER V03CB16DB and CLASSIC CRUISER V03CB16DC and CLASSIC CRUISER V03CB16DD and CLASSIC CRUISER V03CB16LA and CLASSIC CRUISER V03CB16LB and CLASSIC CRUISER V03CB16LC and CLASSIC CRUISER V03CB16LD and CLASSIC CRUISER V03CB16UA and CLASSIC CRUISER V03CB16UB and CLASSIC CRUISER V03CB16UC and CLASSIC CRUISER V03CB16UD



© 2002 Polaris Sales Inc.

Part numbers may have changed since this microfiche was issued. To ensure that correct parts are received, refer to PartSmart, which is updated monthly.

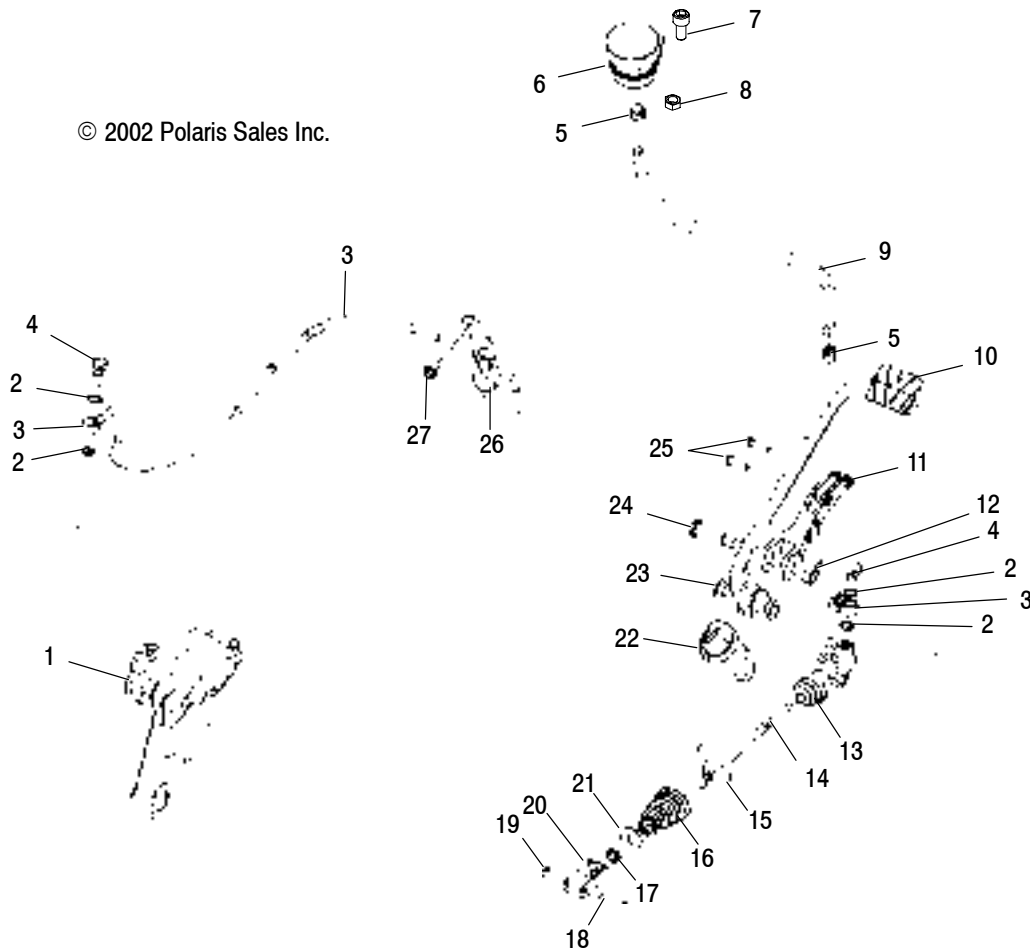
Ref.	Part No.	Qty.	Description
1	5131657	1	Lever, Hand Brake, Front
2	2010217	1	Asm., Master Cylinder, Front Brake
3	2201215	1	Kit, Lever Hardware (Incl. Pin and Nut)
4	2202309	1	Kit, Cap Hardware (Incl. Membrane, Screws, Cap and Diaphragm)
5	2201182	1	Kit, Sight Hardware (Incl. O-Ring, Sight and Clip)
6	7556028	4	Washer, Copper
7	1930848	2	Bolt, Banjo
8	1910579	1	Hose, Brake, Front
9	2201176	2	Kit, Pins, Clips, Spring

Ref.	Part No.	Qty.	Description
10	2201170	1	Kit, Front Brake Pads (2 Per)
11	1910618	1	Asm., Front Caliper
12	7517990	2	Screw
13	2201173	1	Kit, Bleeder (Incl. Bleeder Fitting and Boot)
14	7517704	3	Screw
15	7081164	2	Clamp
16	4110242	1	Switch, Stop
17	2202310	1	Kit, Clamp Hardware (Incl. Clamp and Screws)
18	2201218	1	Kit, Pushrod Hardware (Incl. Pushrod and Boot)

REAR BRAKE

CLASSIC CRUISER V03CB16CA and CLASSIC CRUISER V03CB16CB and CLASSIC CRUISER V03CB16CC and CLASSIC CRUISER V03CB16CD and CLASSIC CRUISER V03CB16DA and CLASSIC CRUISER V03CB16DB and CLASSIC CRUISER V03CB16DC and CLASSIC CRUISER V03CB16DD and CLASSIC CRUISER V03CB16LA and CLASSIC CRUISER V03CB16LB and CLASSIC CRUISER V03CB16LC and CLASSIC CRUISER V03CB16LD and CLASSIC CRUISER V03CB16UA and CLASSIC CRUISER V03CB16UB and CLASSIC CRUISER V03CB16UC and CLASSIC CRUISER V03CB16UD

© 2002 Polaris Sales Inc.



Part numbers may have changed since this microfiche was issued. To ensure that correct parts are received, refer to PartSmart, which is updated monthly.

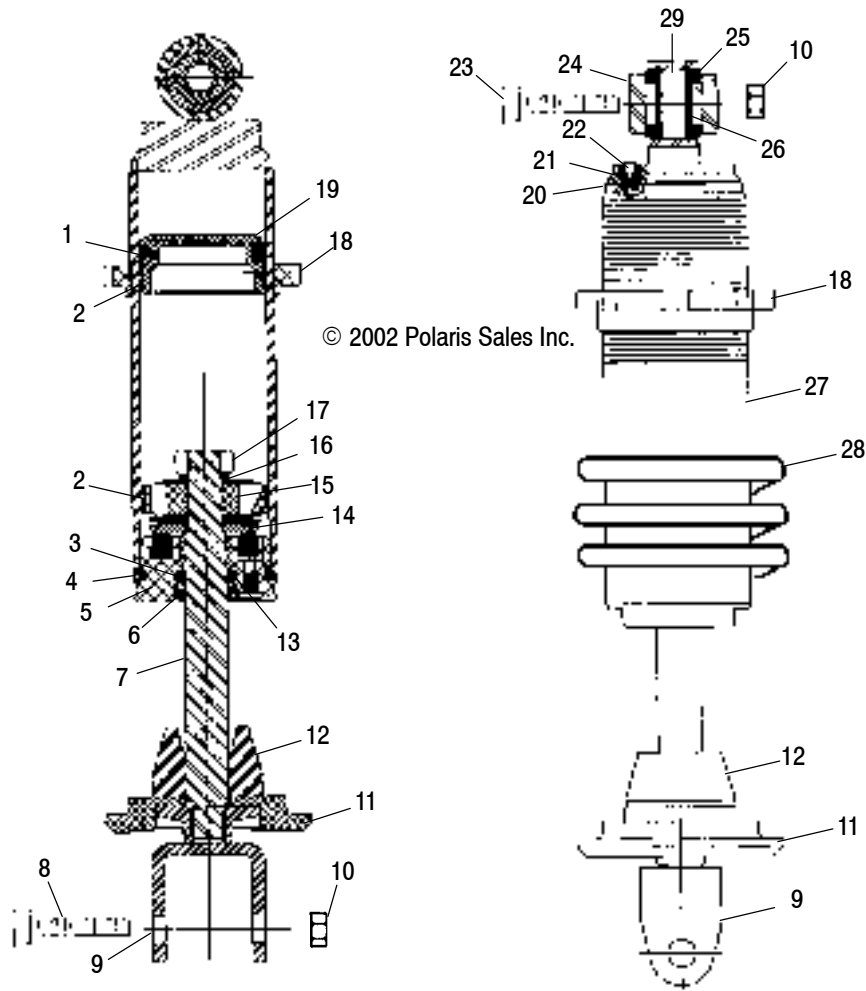
Ref.	Part No.	Qty.	Description
	2201171	1	Kit, Brake Pad
	2201173	1	Kit, Bleeder Screw, Boot
	2201174	1	Kit, Boots, Caliper, Rear
	2201175	1	Kit, Pin, Retainer, Spring, Clip
1	1910651	1	Asm., Caliper, Rear
2	7556028	4	Washer, Copper
3	1910715	1	Hose
	7081014	6	Clip, Brake Line (8mm)
	7080949	2	Clip, Brake Line (10mm)
	7080945	1	Clip, Brake Line (5mm)
4	1930848	2	Bolt
5	7080904	2	Clamp, Hose
6	1930882	1	Reservoir
7	7517704	1	Screw
8	7547120	1	Nut
9	1910558	1	Hose
10	5132459	1	Pedal, Brake
11	5131688-067	1	Support, Brake Pedal

Ref.	Part No.	Qty.	Description
12	7547039	1	Nut
13	1910396	1	Cylinder, Master, Rear (Black)
	1910650	1	Cylinder, Master, Rear, Silver
14	5132298	1	Rod, Brake
15	5242952-067	1	Bracket, Brake Spring Retaining
16	7041746-067	1	Spring, Brake Pedal
17	7547050	1	Nut
18	7661096	1	Pin, Brake
19	7661097	1	Pin, Cotter
20	1080038	1	Clevis, Brake Rod
21	7556045	1	Washer, Flat
22	5411943	1	Boot, Rubber
23	5020904	2	Bushing
24	7517715	1	Screw
25	7517391	2	Screw
26	4010372	1	Switch, Pressure
27	7517704	1	Screw

8/02

REAR SHOCK

CLASSIC CRUISER V03CB16CA and CLASSIC CRUISER V03CB16CB and CLASSIC CRUISER V03CB16CC and CLASSIC CRUISER V03CB16CD and CLASSIC CRUISER V03CB16DA and CLASSIC CRUISER V03CB16DB and CLASSIC CRUISER V03CB16DC and CLASSIC CRUISER V03CB16DD and CLASSIC CRUISER V03CB16LA and CLASSIC CRUISER V03CB16LB and CLASSIC CRUISER V03CB16LC and CLASSIC CRUISER V03CB16LD and CLASSIC CRUISER V03CB16UA and CLASSIC CRUISER V03CB16UB and CLASSIC CRUISER V03CB16UC and CLASSIC CRUISER V03CB16UD



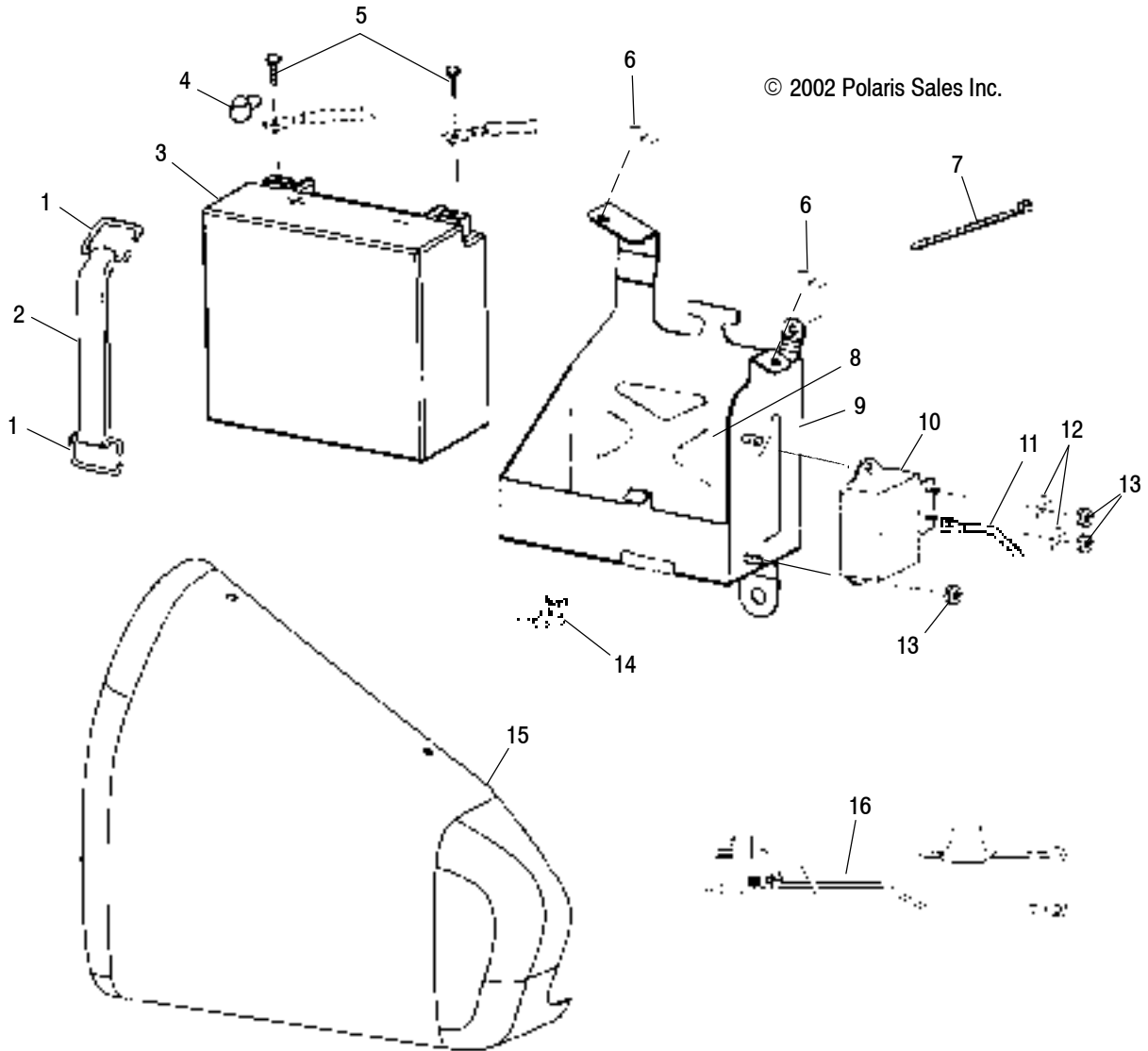
Part numbers may have changed since this microfiche was issued. To ensure that correct parts are received, refer to PartSmart, which is updated monthly.

Ref.	Part No.	Qty.	Description
	7042152	1	Shock, Rear, FOX
	1500454	1	Decal, Warning
	1500477	1	Decal, Victory/Polaris, FOX
1	1500208	1	O-Ring
2	1500230	2	Bearing, Step Cut
3	1500259	1	O-Ring
4	1500228	1	O-Ring
5	1500465	1	Bearing
6	1500256	1	U-Cup
7	1500469	1	Shaft
8	7517961	1	Screw
9	1500467	1	Eyelet, Clevis
10	7547122	2	Nut
11	1500466	1	Retainer, Spring
12	1500468	1	Bumper
13	1500295	1	Screw
	1500022	1	O-Ring

Ref.	Part No.	Qty.	Description
14	1500470	1	Plate
15	1500464	1	Piston
16	1500471	1	Washer
17	1500472	1	Nut, Lock
18	1500462	1	Ring, Spring Preload
19	1500211	1	Piston, Floating
20	1500460	1	Pellet
21	1500478	1	Retainer, Pellet
22	1500461	1	Ball, Nylon
23	7517962	1	Screw
24	1500173	1	Reducer
25	1500093	1	O-Ring
26	7710446	2	Ring, Snap
27	1500463	1	Body
28	7042155	1	Spring, Rear
29	3513506	1	Bearing, Spherical

BATTERY BOX

CLASSIC CRUISER V03CB16CA and CLASSIC CRUISER V03CB16CB and CLASSIC CRUISER V03CB16CC and CLASSIC CRUISER V03CB16CD and CLASSIC CRUISER V03CB16DA and CLASSIC CRUISER V03CB16DB and CLASSIC CRUISER V03CB16DC and CLASSIC CRUISER V03CB16DD and CLASSIC CRUISER V03CB16LA and CLASSIC CRUISER V03CB16LB and CLASSIC CRUISER V03CB16LC and CLASSIC CRUISER V03CB16LD and CLASSIC CRUISER V03CB16UA and CLASSIC CRUISER V03CB16UB and CLASSIC CRUISER V03CB16UC and CLASSIC CRUISER V03CB16UD



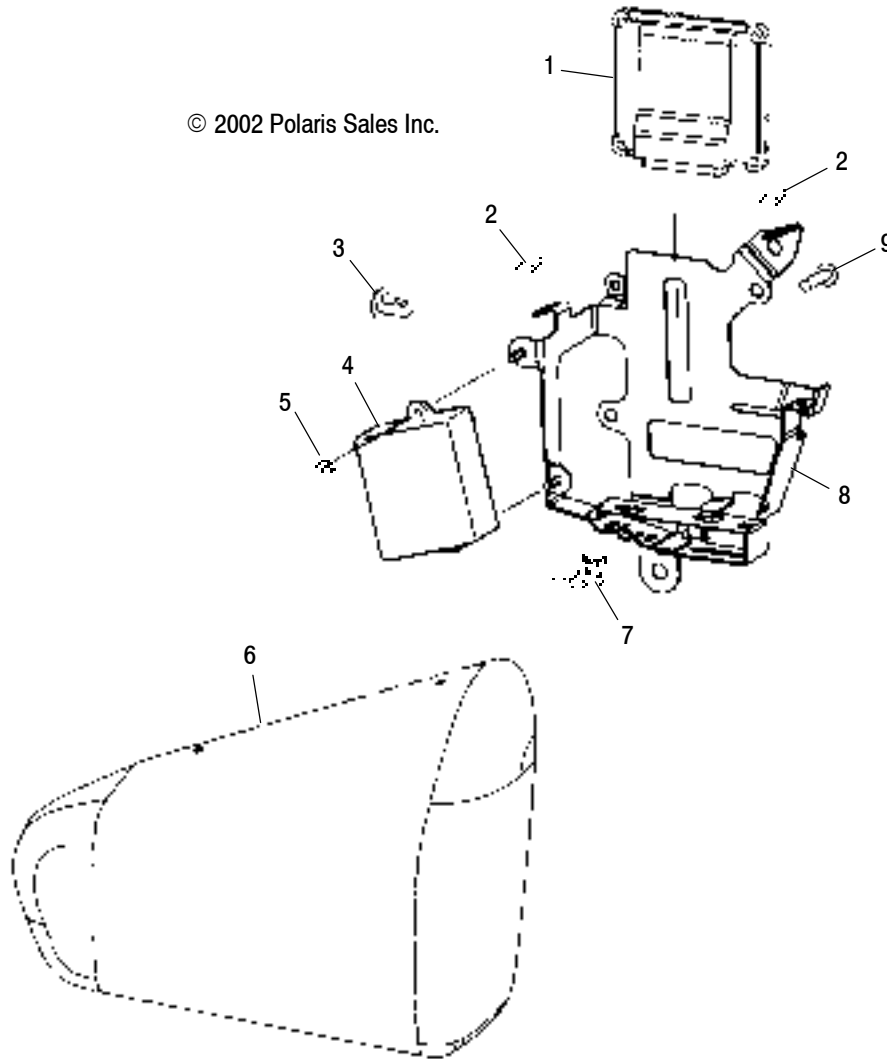
Part numbers may have changed since this microfiche was issued. To ensure that correct parts are received, refer to PartSmart, which is updated monthly.

Ref.	Part No.	Qty.	Description
1	5224472	2	D-Hook
2	5410424	1	Strap, Battery Hold Down
3	4010466	1	Battery
4	5411570	1	Boot, Cable, Battery, Red
5	2201357	1	Kit, Battery Bolt
6	5433510	2	Grommet
7	7080138	4	Cable Tie
8	5244759	8	Pad, Battery Box
9	1013232-067	1	Box, Battery
10	2410181	1	Relay, Starter
11	4010309	1	Cable, Starter/Relay

Ref.	Part No.	Qty.	Description
12	7556064	2	Washer, Flat
13	7547120	4	Nut
14	5433841	1	Clip
15	1013697-266	1	Cover, Side, Black, LH
	1013697-342	1	Cover, Side, Solar Red, LH
	1013697-388	1	Cover, Side, Yellow, LH
	1013697-341	1	Cover, Side, Sonic Blue, LH
	1013697B1	1	Cover, Side, Blue/Silver, LH
	1013697B2	1	Cover, Side, Red/Silver, LH
	1013697B3	1	Cover, Side, Yellow/Black, LH
	1013697B4	1	Cover, Side, Turquoise/White, LH
16	2461006	1	Harness, Charging

ECM BOX

CLASSIC CRUISER V03CB16CA and CLASSIC CRUISER V03CB16CB and CLASSIC CRUISER V03CB16CC and CLASSIC CRUISER V03CB16CD and CLASSIC CRUISER V03CB16DA and CLASSIC CRUISER V03CB16DB and CLASSIC CRUISER V03CB16DC and CLASSIC CRUISER V03CB16DD and CLASSIC CRUISER V03CB16LA and CLASSIC CRUISER V03CB16LB and CLASSIC CRUISER V03CB16LC and CLASSIC CRUISER V03CB16LD and CLASSIC CRUISER V03CB16UA and CLASSIC CRUISER V03CB16UB and CLASSIC CRUISER V03CB16UC and CLASSIC CRUISER V03CB16UD



© 2002 Polaris Sales Inc.

Part numbers may have changed since this microfiche was issued. To ensure that correct parts are received, refer to PartSmart, which is updated monthly.

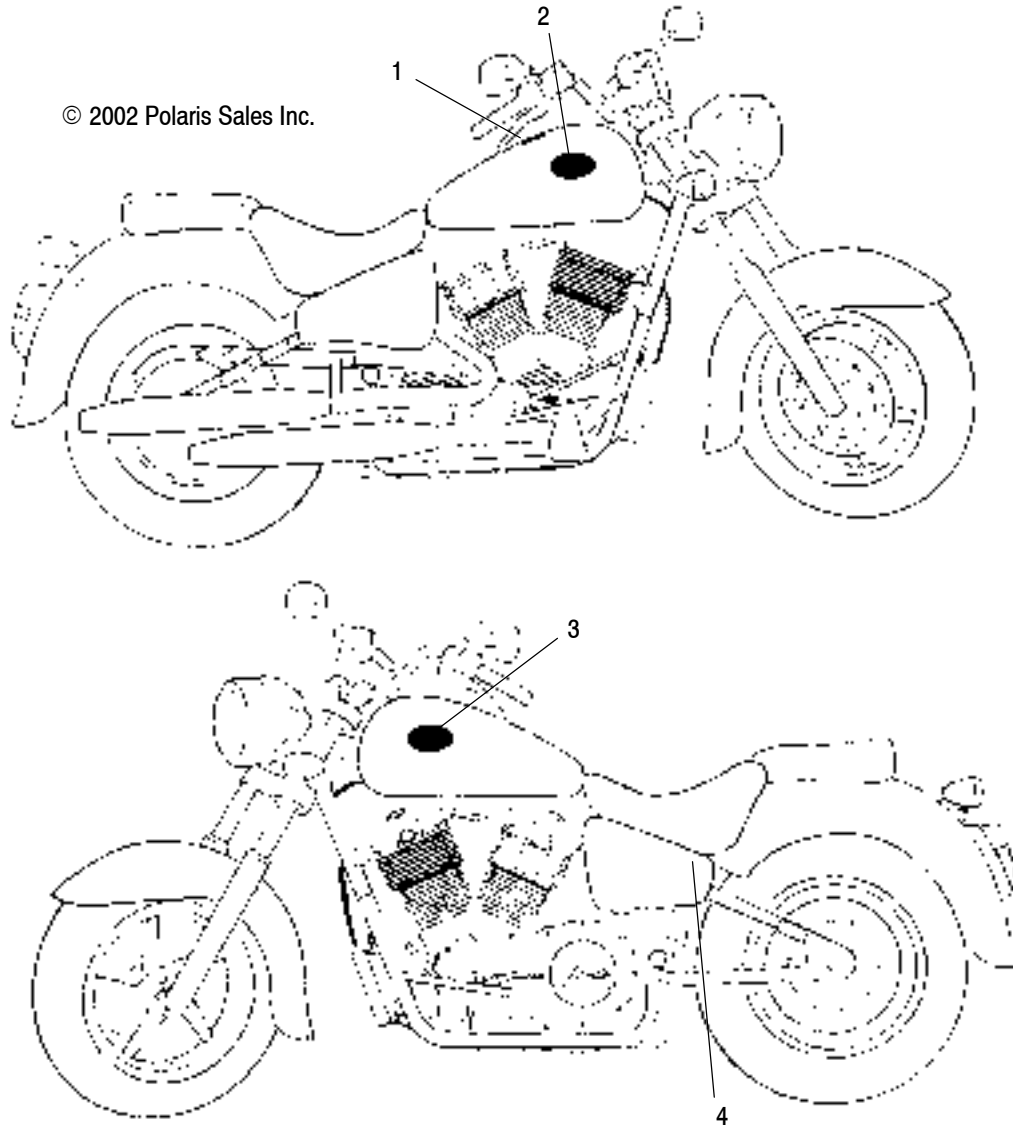
Ref.	Part No.	Qty.	Description
1	4010855	1	ECM - C/DC/CC Programmed (US)
	4010878	1	Calibration (US)
	4010916	1	ECM, Programmed (Can)
	4010917	1	Calibration (Can)
	5244759	2	Pad
2	5433510	2	Grommet
3	4010609	2	Clip, Canoe
4	2410101	1	Flasher, Turn Signal/Hazard
5	7547120	2	Nut

Ref.	Part No.	Qty.	Description
6	1013517-342	1	Cover, Side, Solar Red, RH
	1013517-266	1	Cover, Side, Black, RH
	1013517-388	1	Cover, Side, Yellow, RH
	1013517-341	1	Cover, Side, Sonic Blue, RH
	1013517B1	1	Cover, Side, Blue/Silver, RH
	1013517B2	1	Cover, Side, Red/Silver, RH
	1013517B3	1	Cover, Side, Yellow/Black, RH
	1013517B4	1	Cover, Side, Turquoise/White, RH
7	5433841	1	Clip
8	1013677-067	1	Mount, ECM/Fuse/Side Cover
9	7670141	2	Clip, Plastic Dart

12/02

DECALS

CLASSIC CRUISER V03CB16CA and CLASSIC CRUISER V03CB16CB and CLASSIC CRUISER V03CB16CC and CLASSIC CRUISER V03CB16CD and CLASSIC CRUISER V03CB16DA and CLASSIC CRUISER V03CB16DB and CLASSIC CRUISER V03CB16DC and CLASSIC CRUISER V03CB16DD and CLASSIC CRUISER V03CB16LA and CLASSIC CRUISER V03CB16LB and CLASSIC CRUISER V03CB16LC and CLASSIC CRUISER V03CB16LD and CLASSIC CRUISER V03CB16UA and CLASSIC CRUISER V03CB16UB and CLASSIC CRUISER V03CB16UC and CLASSIC CRUISER V03CB16UD



© 2002 Polaris Sales Inc.

Part numbers may have changed since this microfiche was issued. To ensure that correct parts are received, refer to PartSmart, which is updated monthly.

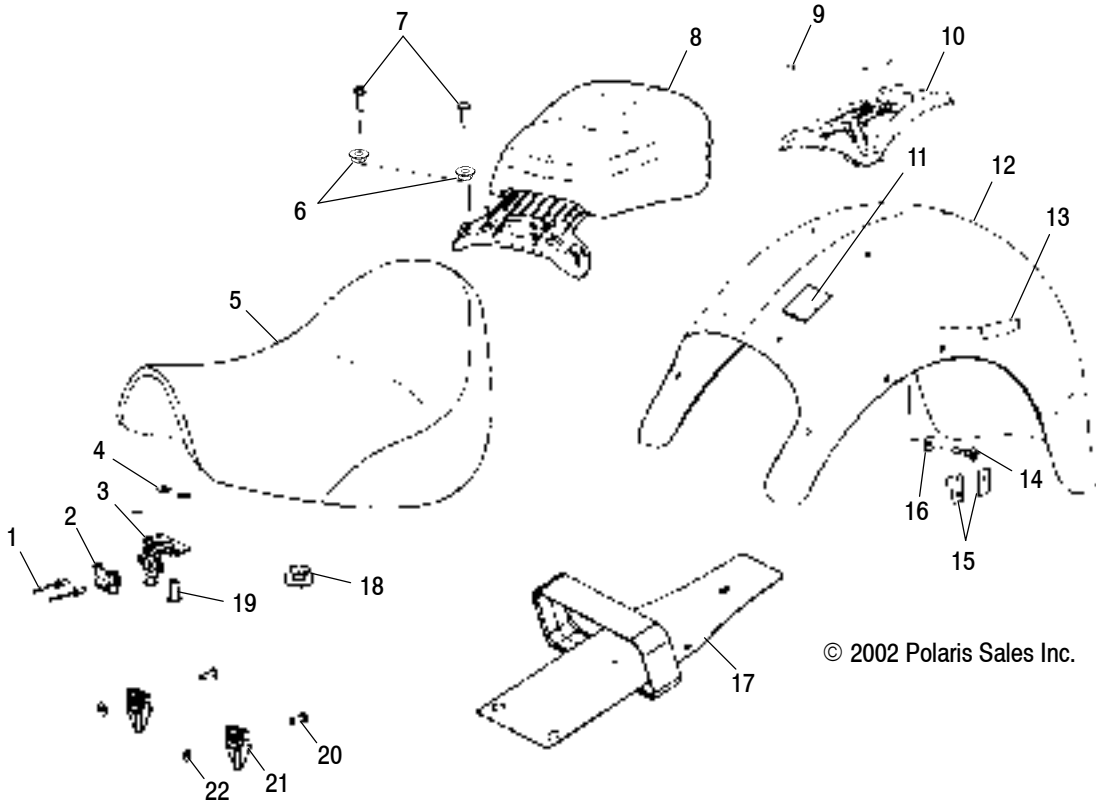
Ref. Part No.	Qty.	Description
	1	Decal, Patent Pending (Bilingual)
1	1	Decal, Warning, Operate, Fuel (Bilingual)
2	1	Badge, Tank, RH (Nickel Plated)

Ref. Part No.	Qty.	Description
3	1	Badge, Tank, LH (Nickel Plated)
4	1	Decal, Fuse Box

1/03

SEAT and REAR FENDER

CLASSIC CRUISER V03CB16CA and CLASSIC CRUISER V03CB16CB and CLASSIC CRUISER V03CB16CC and CLASSIC CRUISER V03CB16CD and CLASSIC CRUISER V03CB16DA and CLASSIC CRUISER V03CB16DB and CLASSIC CRUISER V03CB16DC and CLASSIC CRUISER V03CB16DD and CLASSIC CRUISER V03CB16LA and CLASSIC CRUISER V03CB16LB and CLASSIC CRUISER V03CB16LC and CLASSIC CRUISER V03CB16LD and CLASSIC CRUISER V03CB16UA and CLASSIC CRUISER V03CB16UB and CLASSIC CRUISER V03CB16UC and CLASSIC CRUISER V03CB16UD



© 2002 Polaris Sales Inc.

Part numbers may have changed since this microfiche was issued. To ensure that correct parts are received, refer to PartSmart, which is updated monthly.

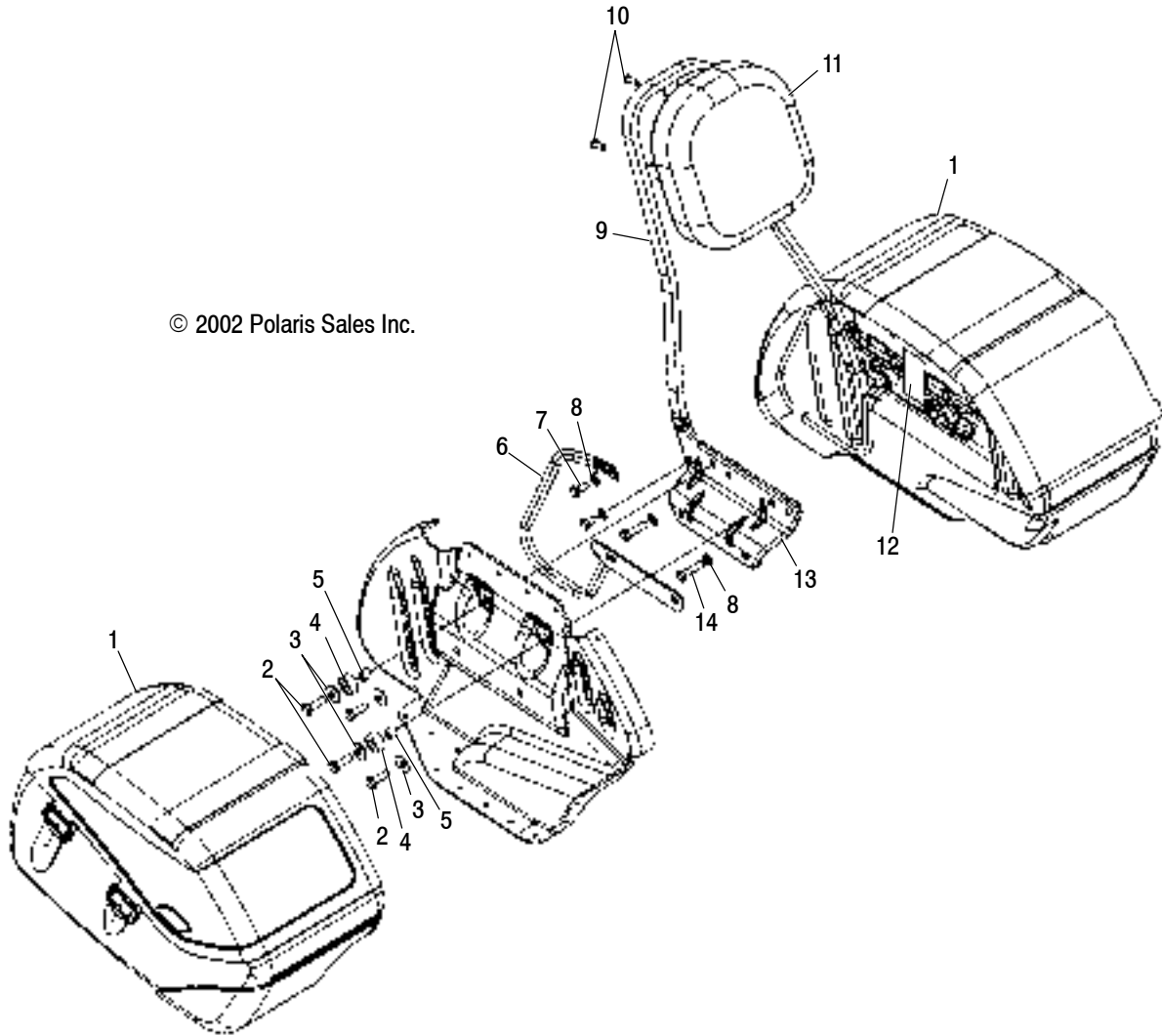
Ref.	Part No.	Qty.	Description
1	7661092	2	Rivet
2	5433698	1	Shield, Seat Bracket
3	5243971	1	Bracket, Seat Lock
4	7556133	2	Washer, Flat
5	2683135	1	Seat
6	7556146	2	Washer, Shoulder
7	7517751	2	Screw
8	2682529	1	Asm., Tandem Seat
9	7517705	3	Screw
10	5433482	1	Bracket, Tandem Seat
11	5811941	2	Pad, Rubber, Tandem Seat
12	1013278B3	1	Fender, Rear, Yellow/Black
	1013278B2	1	Fender, Rear, Red/Silver
	1013278-266	1	Fender, Rear, Black
	1013278B1	1	Fender, Rear, Blue/Silver
	1013278-341	1	Fender, Rear, Sonic Blue
	1013278-342	1	Fender, Rear, Solar Red
	1013278-388	1	Fender, Rear, Yellow
	1013278-384	1	Fender, Rear, Flame
	1013278B4	1	Fender, Rear, Turquoise/White

Ref.	Part No.	Qty.	Description
13	5433865	2	Reflector, Red
14	7518155	6	Screw
15	7080737	5	Clip, Electrical
16	5133702	6	Bushing, Fender, Rear
17	2682455	1	Asm., Seat Strap
18	5412067	2	Bumper, Rubber
19	7661081	2	Rivet
20	7621462	2	Rivet
21	5412282	1	Cone, Alignment
22	7555746	2	Washer

SADDLEBAG/BACKREST

CLASSIC CRUISER V03CB16CA and CLASSIC CRUISER V03CB16CB and CLASSIC CRUISER V03CB16CC and CLASSIC CRUISER V03CB16CD and CLASSIC CRUISER V03CB16DA and CLASSIC CRUISER V03CB16DB and CLASSIC CRUISER V03CB16DC and CLASSIC CRUISER V03CB16DD and CLASSIC CRUISER V03CB16LA and CLASSIC CRUISER V03CB16LB and CLASSIC CRUISER V03CB16LC and CLASSIC CRUISER V03CB16LD and CLASSIC CRUISER V03CB16UA and CLASSIC CRUISER V03CB16UB and CLASSIC CRUISER V03CB16UC and CLASSIC CRUISER V03CB16UD

© 2002 Polaris Sales Inc.



Part numbers may have changed since this microfiche was issued. To ensure that correct parts are received, refer to PartSmart, which is updated monthly.

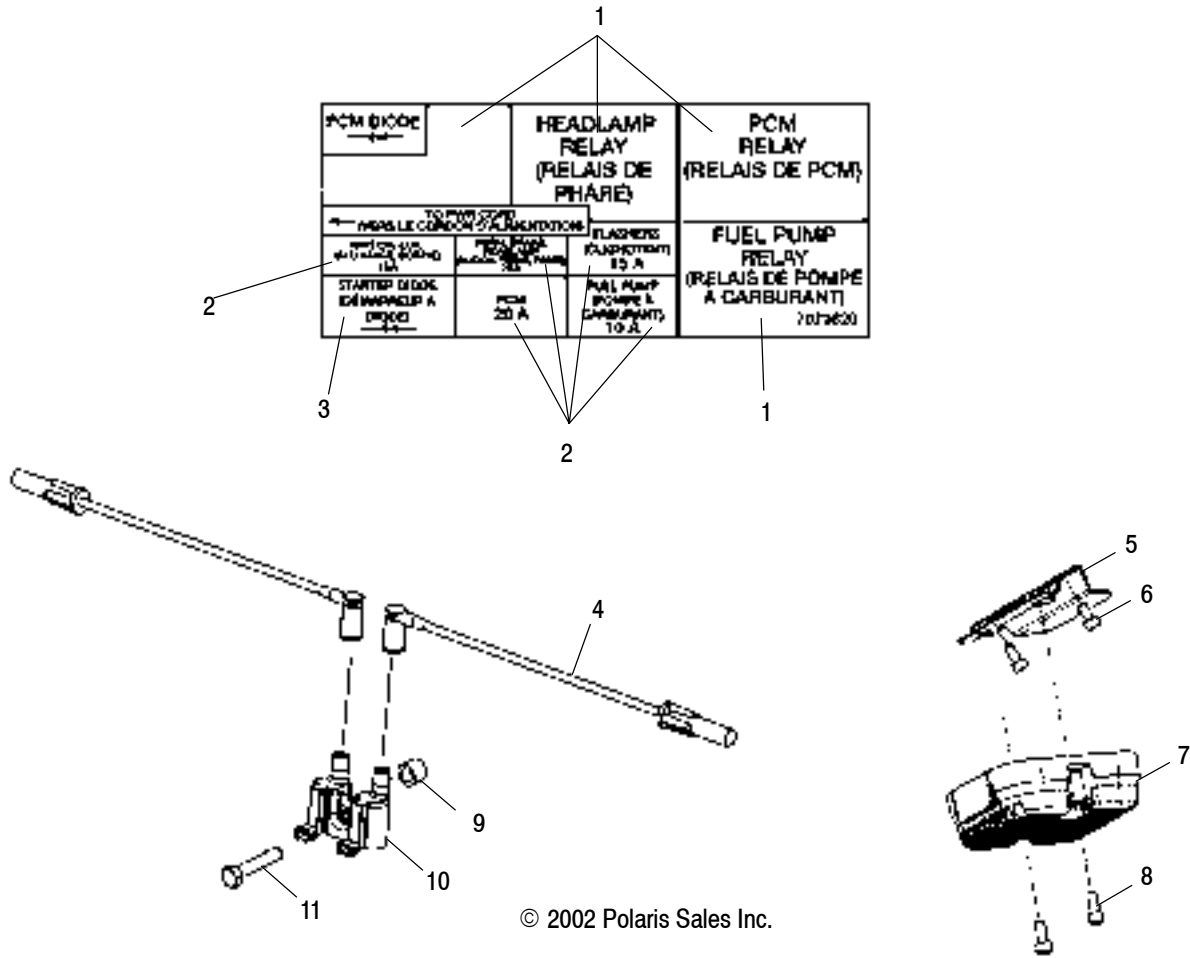
Ref.	Part No.	Qty.	Description
1	2632538	1	Asm., Saddlebag, LH
	2632539	1	Asm., Saddlebag, RH
2	7517826	8	Screw
3	7556045	8	Washer, Flat
4	5411868	4	Spacer, Rubber, Bag Mount
5	5133018	4	Spacer, Steel, Bag Mount
6	1013761	1	Hoop, Saddlebag Support, LH
	1013762	1	Hoop, Saddlebag Support, RH
7	7517888	2	Screw

Ref.	Part No.	Qty.	Description
8	7556164	8	Washer, Flat
9	1013424	1	Sissybar
10	7517889	3	Screw
11	2682673	1	Pad, Backrest
12	7079440	1	Decal, Warning, Saddlebag
13	1013428	1	Bracket, Saddlebag, LH
	1013429	1	Bracket, Saddlebag, RH
14	7517835	4	Screw

8/02

ELECTRICAL

CLASSIC CRUISER V03CB16CA and CLASSIC CRUISER V03CB16CB and CLASSIC CRUISER V03CB16CC and CLASSIC CRUISER V03CB16CD and CLASSIC CRUISER V03CB16DA and CLASSIC CRUISER V03CB16DB and CLASSIC CRUISER V03CB16DC and CLASSIC CRUISER V03CB16DD and CLASSIC CRUISER V03CB16LA and CLASSIC CRUISER V03CB16LB and CLASSIC CRUISER V03CB16LC and CLASSIC CRUISER V03CB16LD and CLASSIC CRUISER V03CB16UA and CLASSIC CRUISER V03CB16UB and CLASSIC CRUISER V03CB16UC and CLASSIC CRUISER V03CB16UD



© 2002 Polaris Sales Inc.

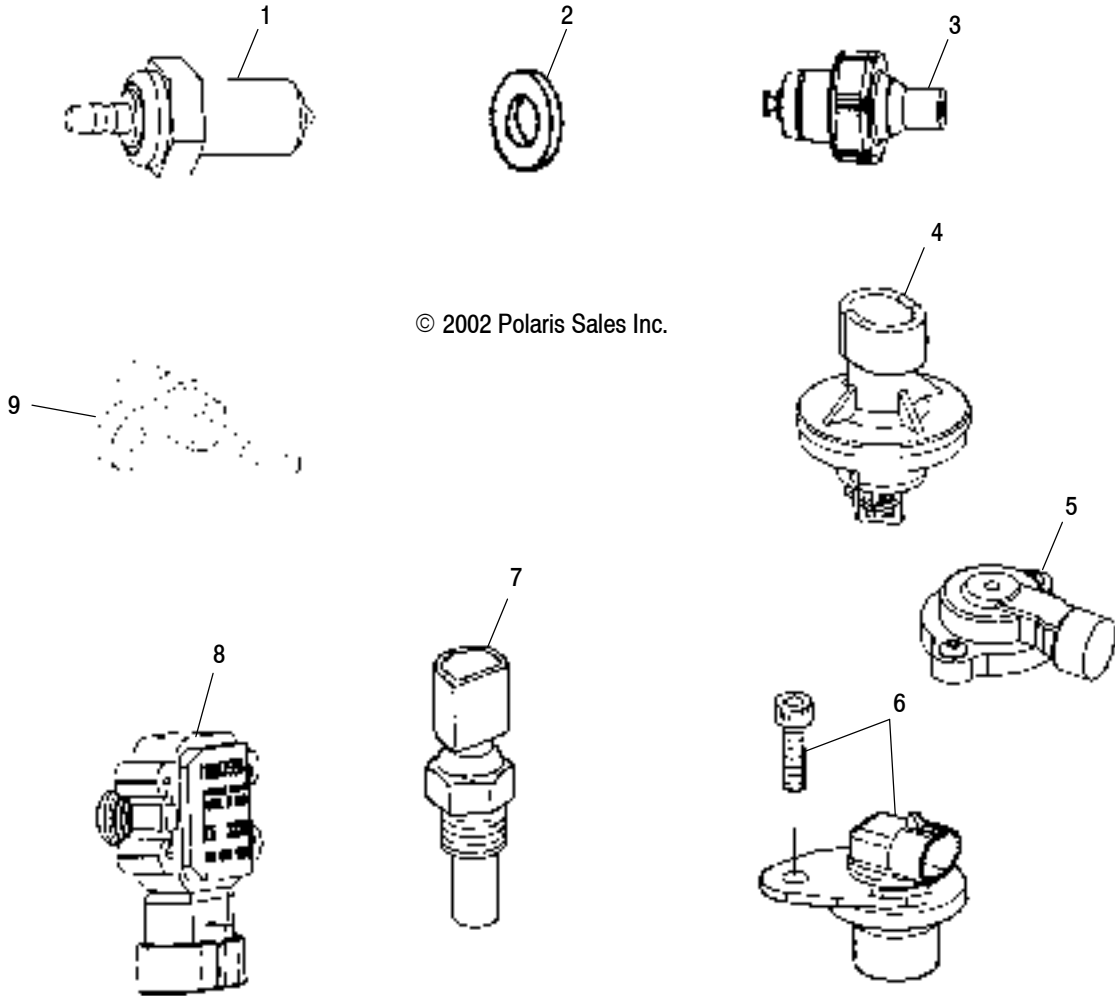
Part numbers may have changed since this microfiche was issued. To ensure that correct parts are received, refer to PartSmart, which is updated monthly.

Ref.	Part No.	Qty.	Description
	7079820	1	Decal, Fuse Box
	2460692	1	Harness, Turn Signal, Rear, Right
	2460695	1	Harness, Turn Signal, Rear, Left
	4010153	1	Connector, Fender
	4010154	1	Lock, Connector
	2461101	1	Harness, Main Wire
	7080930	1	Clip, Wire Harness
	7517272	1	Screw (Ground)
	2461135	1	Harness, Injector
1	2410314	3	Relay, Micro
2	2434016	1	Fuse, 10 Amp.
	2434017	2	Fuse, 20 Amp.
	2410280	2	Fuse, 15 Amp.

Ref.	Part No.	Qty.	Description
3	2434019	2	Diode
4	4010531	2	Lead, Spark Plug Wire
5	1013510	1	Bracket, Voltage Regulator
	1013623	1	Bracket, Voltage Regulator, Silver
6	7517739	2	Screw
7	2410337	1	Regulator, Voltage (Black)
	2410329	1	Regulator, Voltage, Silver
8	7517272	2	Screw
9	5132791	1	Spacer, Coil
10	4010530	1	Coil, Ignition
11	7517973	1	Screw

ELECTRICAL

CLASSIC CRUISER V03CB16CA and CLASSIC CRUISER V03CB16CB and CLASSIC CRUISER V03CB16CC and CLASSIC CRUISER V03CB16CD and CLASSIC CRUISER V03CB16DA and CLASSIC CRUISER V03CB16DB and CLASSIC CRUISER V03CB16DC and CLASSIC CRUISER V03CB16DD and CLASSIC CRUISER V03CB16LA and CLASSIC CRUISER V03CB16LB and CLASSIC CRUISER V03CB16LC and CLASSIC CRUISER V03CB16LD and CLASSIC CRUISER V03CB16UA and CLASSIC CRUISER V03CB16UB and CLASSIC CRUISER V03CB16UC and CLASSIC CRUISER V03CB16UD



© 2002 Polaris Sales Inc.

Part numbers may have changed since this microfiche was issued. To ensure that correct parts are received, refer to PartSmart, which is updated monthly.

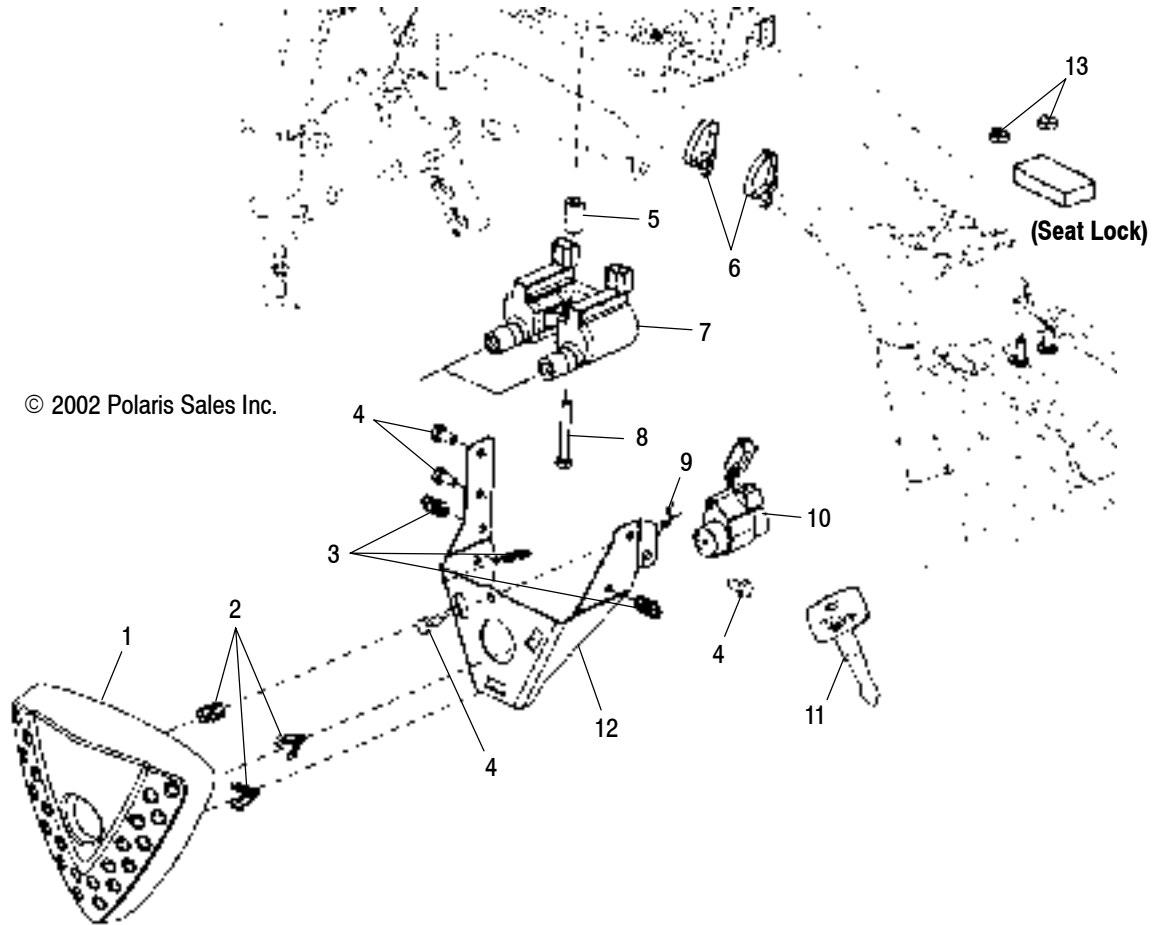
Ref.	Part No.	Qty.	Description
1	4110235	1	Switch, Neutral Indicator
2	7556154	1	Washer, Flat
3	4010649	1	Sensor, Oil Pressure
4	4040077	1	Sensor, Air Temperature
5	4010225 1500201	1 1	Sensor, Throttle Position O-Ring

Ref.	Part No.	Qty.	Description
6	4110217 7517272	1 1	Sensor, Crankshaft Position Screw
7	4040076	1	Sensor, Engine Temperature
8	4040078	1	Sensor, MAP
9	4010766	1	Sensor, Vehicle Speed

8/02

IGNITION ASM.

CLASSIC CRUISER V03CB16CA and CLASSIC CRUISER V03CB16CB and CLASSIC CRUISER V03CB16CC and CLASSIC CRUISER V03CB16CD and CLASSIC CRUISER V03CB16DA and CLASSIC CRUISER V03CB16DB and CLASSIC CRUISER V03CB16DC and CLASSIC CRUISER V03CB16DD and CLASSIC CRUISER V03CB16LA and CLASSIC CRUISER V03CB16LB and CLASSIC CRUISER V03CB16LC and CLASSIC CRUISER V03CB16LD and CLASSIC CRUISER V03CB16UA and CLASSIC CRUISER V03CB16UB and CLASSIC CRUISER V03CB16UC and CLASSIC CRUISER V03CB16UD



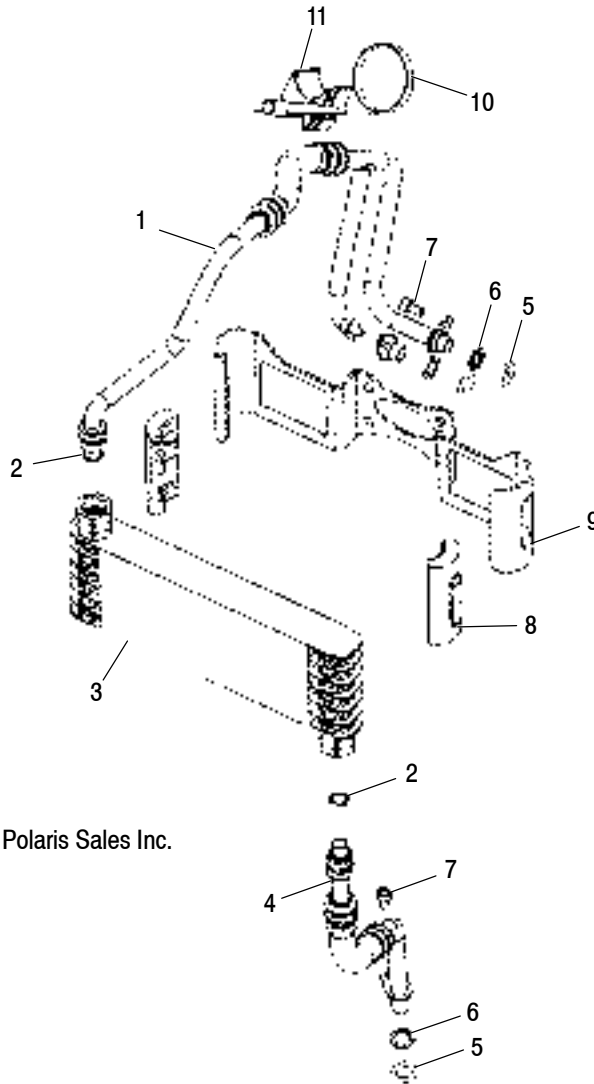
Ref. Part No.	Qty.	Description
1	5245659	1 Cover, Ignition/Coil
2	7670136	3 Clip, Tinnerman
3	7080756	3 Clip, Snap-In
4	7517438	4 Screw
5	5132791	2 Spacer
6	7081033	2 Cable Tie
7	2410266	1 Coil, Ignition

Ref. Part No.	Qty.	Description
8	7517973	1 Screw
9	5433140	1 Dart, 1/2 Inch
10	4010359	1 Switch, Ignition (Incl. Front Fork Lock and Seat Release)
11	4110239	1 Key, Ignition
12	5245658-067	1 Bracket, Ignition, Black
	5245658-385	1 Bracket, Ignition, Silver
13	7547120	2 Nut

9/02

OIL COOLING

CLASSIC CRUISER V03CB16CA and CLASSIC CRUISER V03CB16CB and CLASSIC CRUISER V03CB16CC and CLASSIC CRUISER V03CB16CD and CLASSIC CRUISER V03CB16DA and CLASSIC CRUISER V03CB16DB and CLASSIC CRUISER V03CB16DC and CLASSIC CRUISER V03CB16DD and CLASSIC CRUISER V03CB16LA and CLASSIC CRUISER V03CB16LB and CLASSIC CRUISER V03CB16LC and CLASSIC CRUISER V03CB16LD and CLASSIC CRUISER V03CB16UA and CLASSIC CRUISER V03CB16UB and CLASSIC CRUISER V03CB16UC and CLASSIC CRUISER V03CB16UD



© 2002 Polaris Sales Inc.

Part numbers may have changed since this microfiche was issued. To ensure that correct parts are received, refer to PartSmart, which is updated monthly.

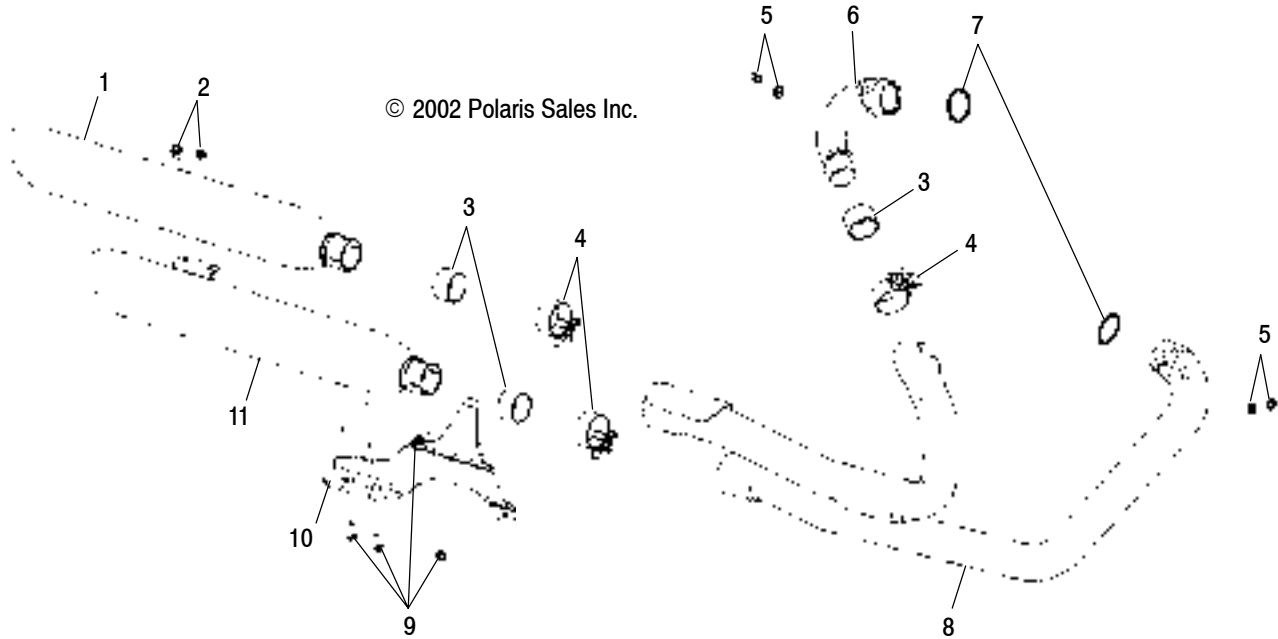
Ref.	Part No.	Qty.	Description
1	5334034	1	Line, Cooler Inlet
2	5412027	2	O-Ring
3	1240112-067 1240112-385	1	Cooler, Oil, Black Cooler, Oil, Silver
4	5334191	1	Line, Cooler Outlet
5	5411356	3	O-Ring
6	7556113	3	Washer, Flat

Ref.	Part No.	Qty.	Description
7	7517405	3	Screw
8	5412105	2	Isolator, Cooler
9	5245528-067 5245528-385	1	Bracket, Cooler Mount, Black Bracket, Cooler Mount, Silver
10	7080906	1	Cable Tie, Heavy Duty
11	5412188	1	Mount, Rubber

11/02

EXHAUST SYSTEM

CLASSIC CRUISER V03CB16CA and CLASSIC CRUISER V03CB16CB and CLASSIC CRUISER V03CB16CC and CLASSIC CRUISER V03CB16CD and CLASSIC CRUISER V03CB16DA and CLASSIC CRUISER V03CB16DB and CLASSIC CRUISER V03CB16DC and CLASSIC CRUISER V03CB16DD and CLASSIC CRUISER V03CB16LA and CLASSIC CRUISER V03CB16LB and CLASSIC CRUISER V03CB16LC and CLASSIC CRUISER V03CB16LD and CLASSIC CRUISER V03CB16UA and CLASSIC CRUISER V03CB16UB and CLASSIC CRUISER V03CB16UC and CLASSIC CRUISER V03CB16UD



Part numbers may have changed since this microfiche was issued. To ensure that correct parts are received, refer to PartSmart, which is updated monthly.

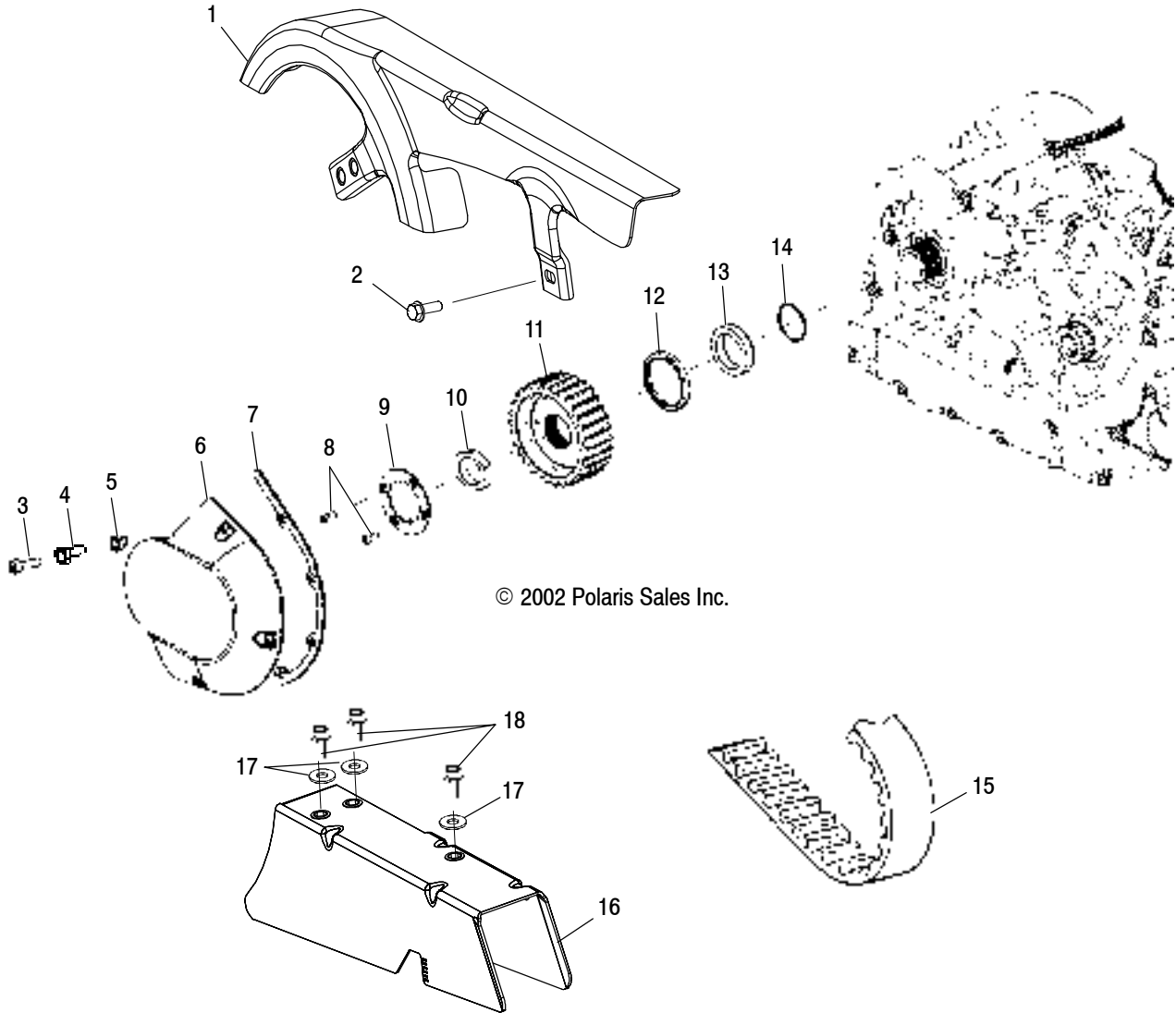
Ref.	Part No.	Qty.	Description
1	1261253	1	Muffler, Rear (Incl. 4)(US)
	1261310	1	Muffler, Rear (Incl. 4)(Can)
2	7518043	2	Screw
3	5811770	3	Gasket, Exhaust, Muffler
4	7081028	3	Clamp, Muffler
5	7546805	4	Nut
6	1261087	1	Manifold, Exhaust, Rear
7	5246008	2	Gasket, Exhaust Sealing

Ref.	Part No.	Qty.	Description
8	1261227	1	Asm., Exhaust, Header, Pipe
	7080774	8	Clamp, Heat Shield
	1261105	1	Shield, Exhaust, Rear
	1261095	1	Shield, Exhaust, Front
9	7517956	4	Screw (Black)
	7518043	4	Screw (Silver)
10	5245079-067	1	Bracket, Exhaust, Rear, Black
	5245079-385	1	Bracket, Exhaust, Rear, Silver
11	1261252	1	Muffler, Front (Incl. 4)(US)
	1261309	1	Muffler, Front (Incl. 4)(Can)

12/02

FRONT DRIVE SPROCKET

CLASSIC CRUISER V03CB16CA and CLASSIC CRUISER V03CB16CB and CLASSIC CRUISER V03CB16CC and CLASSIC CRUISER V03CB16CD and CLASSIC CRUISER V03CB16DA and CLASSIC CRUISER V03CB16DB and CLASSIC CRUISER V03CB16DC and CLASSIC CRUISER V03CB16DD and CLASSIC CRUISER V03CB16LA and CLASSIC CRUISER V03CB16LB and CLASSIC CRUISER V03CB16LC and CLASSIC CRUISER V03CB16LD and CLASSIC CRUISER V03CB16UA and CLASSIC CRUISER V03CB16UB and CLASSIC CRUISER V03CB16UC and CLASSIC CRUISER V03CB16UD



© 2002 Polaris Sales Inc.

Part numbers may have changed since this microfiche was issued. To ensure that correct parts are received, refer to PartSmart, which is updated monthly.

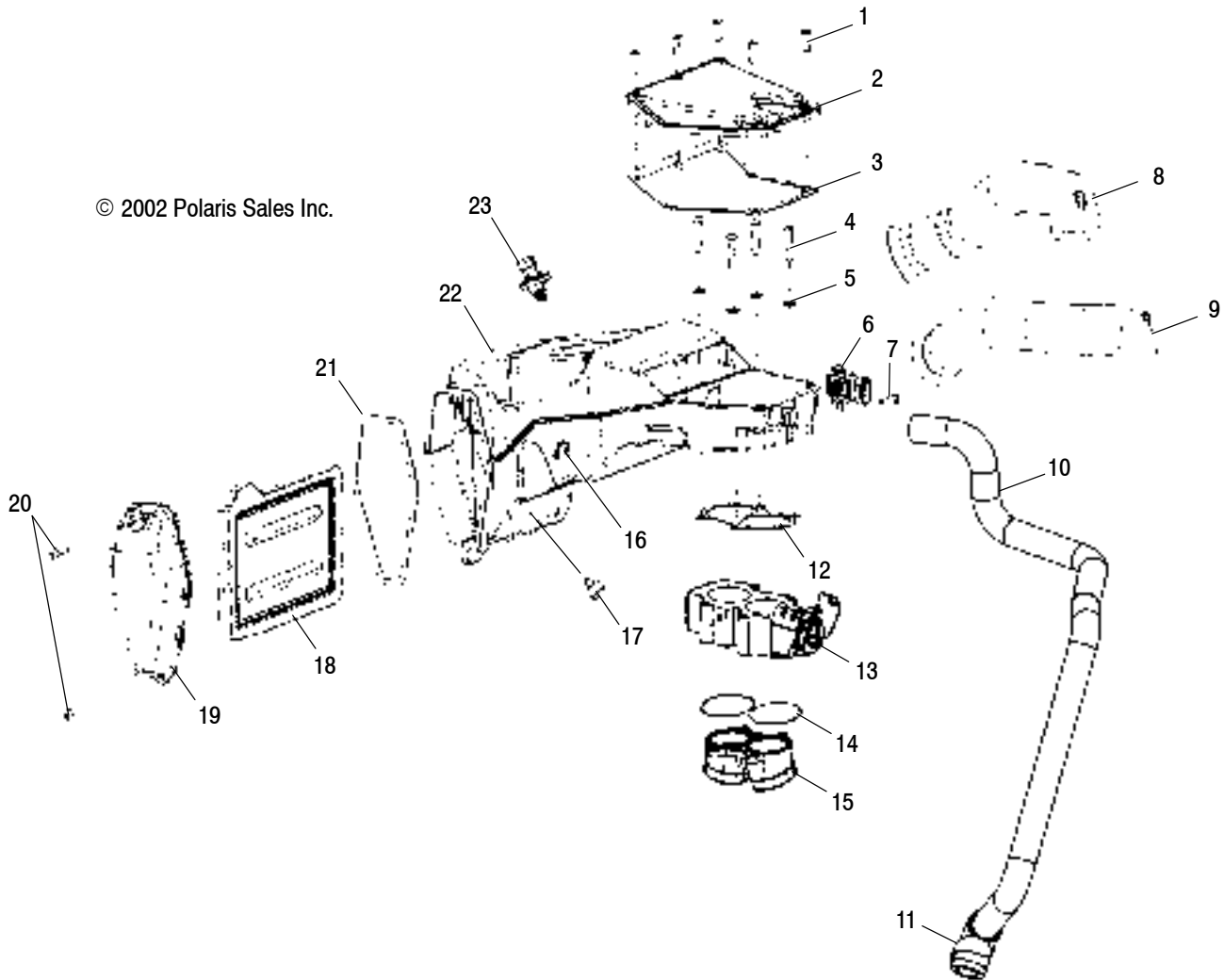
Ref.	Part No.	Qty.	Description
1	1013117	1	Guard, Belt, Upper
2	7518043	2	Screw
3	7517301	3	Screw
4	7661156	3	Spacer
5	5412070	3	Isolator
6	5133266	1	Cover, Sprocket
7	5412260	1	Gasket, Sprocket Cover
8	7517272	2	Screw
9	5244114	1	Lock, Plate

Ref.	Part No.	Qty.	Description
10	7547209	1	Nut
11	5133262	1	Sprocket, Drive, 30T
12	3610057	1	Seal
13	5133394	1	Sleeve, Seal
14	3610091	1	O-Ring
15	3211088	1	Belt, Drive
16	1013435	1	Guard, Belt, Lower
17	7556064	3	Washer, Flat
18	7517770	3	Screw

9/02

AIR BOX

CLASSIC CRUISER V03CB16CA and CLASSIC CRUISER V03CB16CB and CLASSIC CRUISER V03CB16CC and CLASSIC CRUISER V03CB16CD and CLASSIC CRUISER V03CB16DA and CLASSIC CRUISER V03CB16DB and CLASSIC CRUISER V03CB16DC and CLASSIC CRUISER V03CB16DD and CLASSIC CRUISER V03CB16LA and CLASSIC CRUISER V03CB16LB and CLASSIC CRUISER V03CB16LC and CLASSIC CRUISER V03CB16LD and CLASSIC CRUISER V03CB16UA and CLASSIC CRUISER V03CB16UB and CLASSIC CRUISER V03CB16UC and CLASSIC CRUISER V03CB16UD



© 2002 Polaris Sales Inc.

Part numbers may have changed since this microfiche was issued. To ensure that correct parts are received, refer to PartSmart, which is updated monthly.

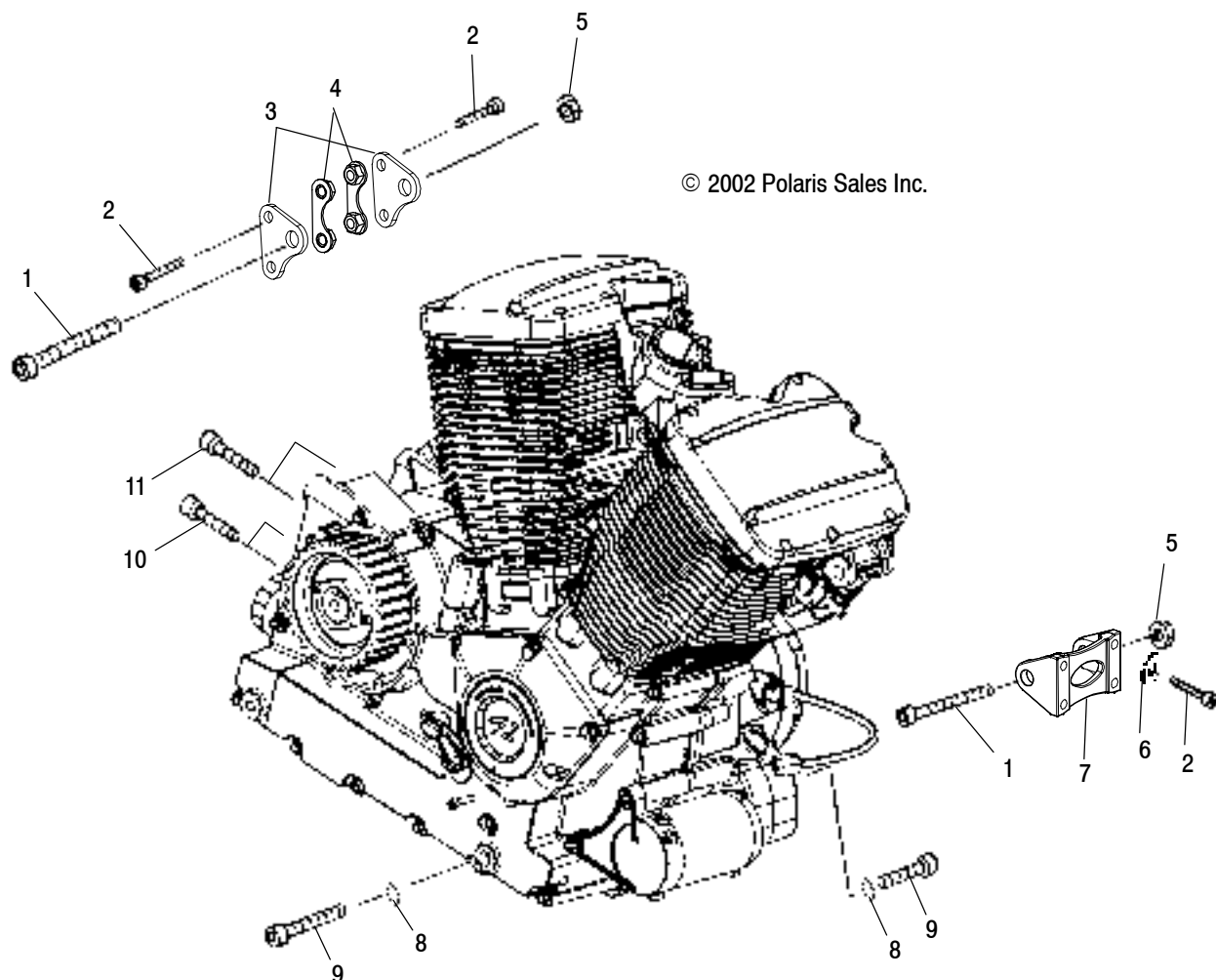
Ref.	Part No.	Qty.	Description
1	7517842	6	Screw
2	5433466	1	Cover, Airbox
3	5811867	1	Seal, Airbox Cover
4	7517885	4	Screw, Button Head
5	7556121	4	Washer, Flat
6	-----	1	Sensor, MAP (See Electrical Pg. C1, Ref. 8)
7	7517842	1	Screw
8	5433471	1	Tube, Intake, RH
9	5433470	1	Tube, Intake, LH
10	5434070	1	Hose, Breather
11	7080782	1	Clamp, Breather Hose
12	5811908	1	Gasket, Airbox

Ref.	Part No.	Qty.	Description
13	-----	1	Asm., Throttle Body (See Fuel System Pg. D8, Ref. 15)
14	5412259	2	O-Ring
15	1253335	1	Adapter, Throttle Body
16	5432302	1	Clip, Retainer
17	5811869	1	Bumper, Rubber
18	7080858	1	Filter, Air
19	5433469	1	Cover, Air Filter
20	7517816	2	Screw
21	5811866	1	Seal, Filter, Access Hatch
22	1013720	1	Airbox
23	-----	1	Sensor, Air Temperature (See Electrical Pg. C1, Ref. 4)

9/02

ENGINE MOUNTING

CLASSIC CRUISER V03CB16CA and CLASSIC CRUISER V03CB16CB and CLASSIC CRUISER V03CB16CC and CLASSIC CRUISER V03CB16CD and CLASSIC CRUISER V03CB16DA and CLASSIC CRUISER V03CB16DB and CLASSIC CRUISER V03CB16DC and CLASSIC CRUISER V03CB16DD and CLASSIC CRUISER V03CB16LA and CLASSIC CRUISER V03CB16LB and CLASSIC CRUISER V03CB16LC and CLASSIC CRUISER V03CB16LD and CLASSIC CRUISER V03CB16UA and CLASSIC CRUISER V03CB16UB and CLASSIC CRUISER V03CB16UC and CLASSIC CRUISER V03CB16UD



© 2002 Polaris Sales Inc.

Part numbers may have changed since this microfiche was issued. To ensure that correct parts are received, refer to PartSmart, which is updated monthly.

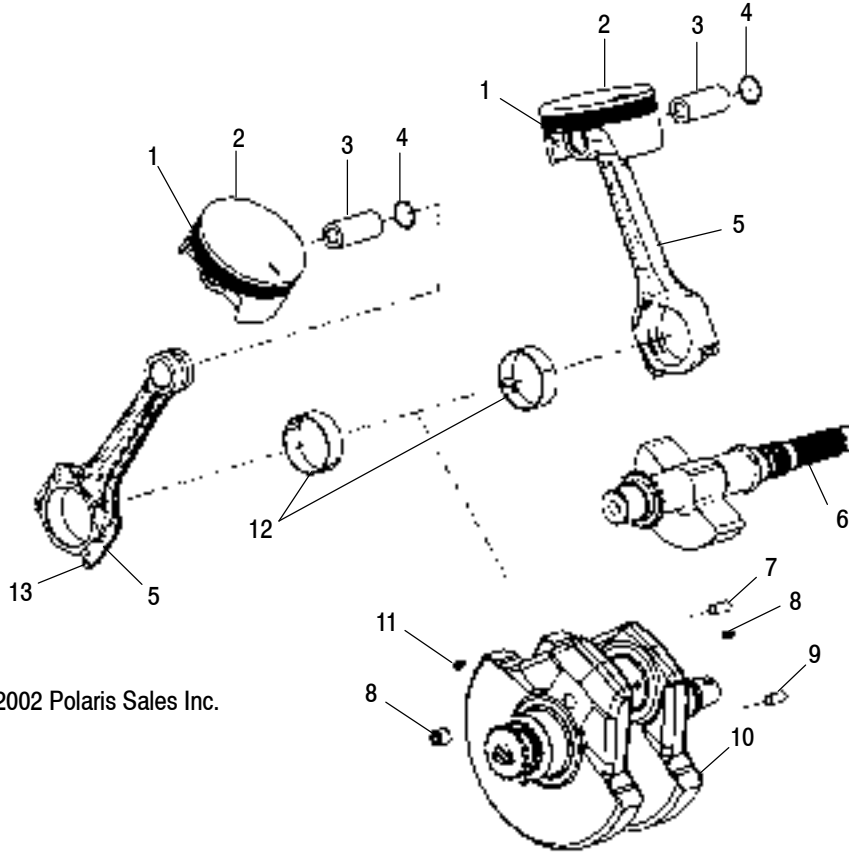
Ref.	Part No.	Qty.	Description
1	7518125	2	Screw
2	7518121	8	Screw
3	5211830-408	2	Bracket, Engine Mount, Rear, ZNB
	5211830-236	2	Bracket, Engine Mount, Rear, ZNC
4	1012747	2	Bracket, Nut Retainer
5	7547232	2	Nut
6	7556257	4	Washer, Flat

Ref.	Part No.	Qty.	Description
7	5131664-408	1	Bracket, Upper Front, ZNB
	5131664-236	1	Bracket, Upper Front, ZNC
8	7556234	2	Washer, Flat
9	7518124	2	Screw
10	7518122	2	Screw
11	7518154	2	Screw

4/03

CRANKSHAFT

CLASSIC CRUISER V03CB16CA and CLASSIC CRUISER V03CB16CB and CLASSIC CRUISER V03CB16CC and CLASSIC CRUISER V03CB16CD and CLASSIC CRUISER V03CB16DA and CLASSIC CRUISER V03CB16DB and CLASSIC CRUISER V03CB16DC and CLASSIC CRUISER V03CB16DD and CLASSIC CRUISER V03CB16LA and CLASSIC CRUISER V03CB16LB and CLASSIC CRUISER V03CB16LC and CLASSIC CRUISER V03CB16LD and CLASSIC CRUISER V03CB16UA and CLASSIC CRUISER V03CB16UB and CLASSIC CRUISER V03CB16UC and CLASSIC CRUISER V03CB16UD



© 2002 Polaris Sales Inc.

Part numbers may have changed since this microfiche was issued. To ensure that correct parts are received, refer to PartSmart, which is updated monthly.

Ref.	Part No.	Qty.	Description
1	2201862	2	Kit, Piston Ring (Incl. Top, Middle, Bottom Rings)
2	3021147	2	Asm., Piston (Incl. Piston, Rings, Clips, Pin)
3	5131860	2	Pin, Wrist
4	7710479	4	Ring, Retaining
5	3021196	2	Asm., Connecting Rod (Incl. 13)
6	5133674	1	Shaft, Balance
7	7661045	1	Pin, Solid

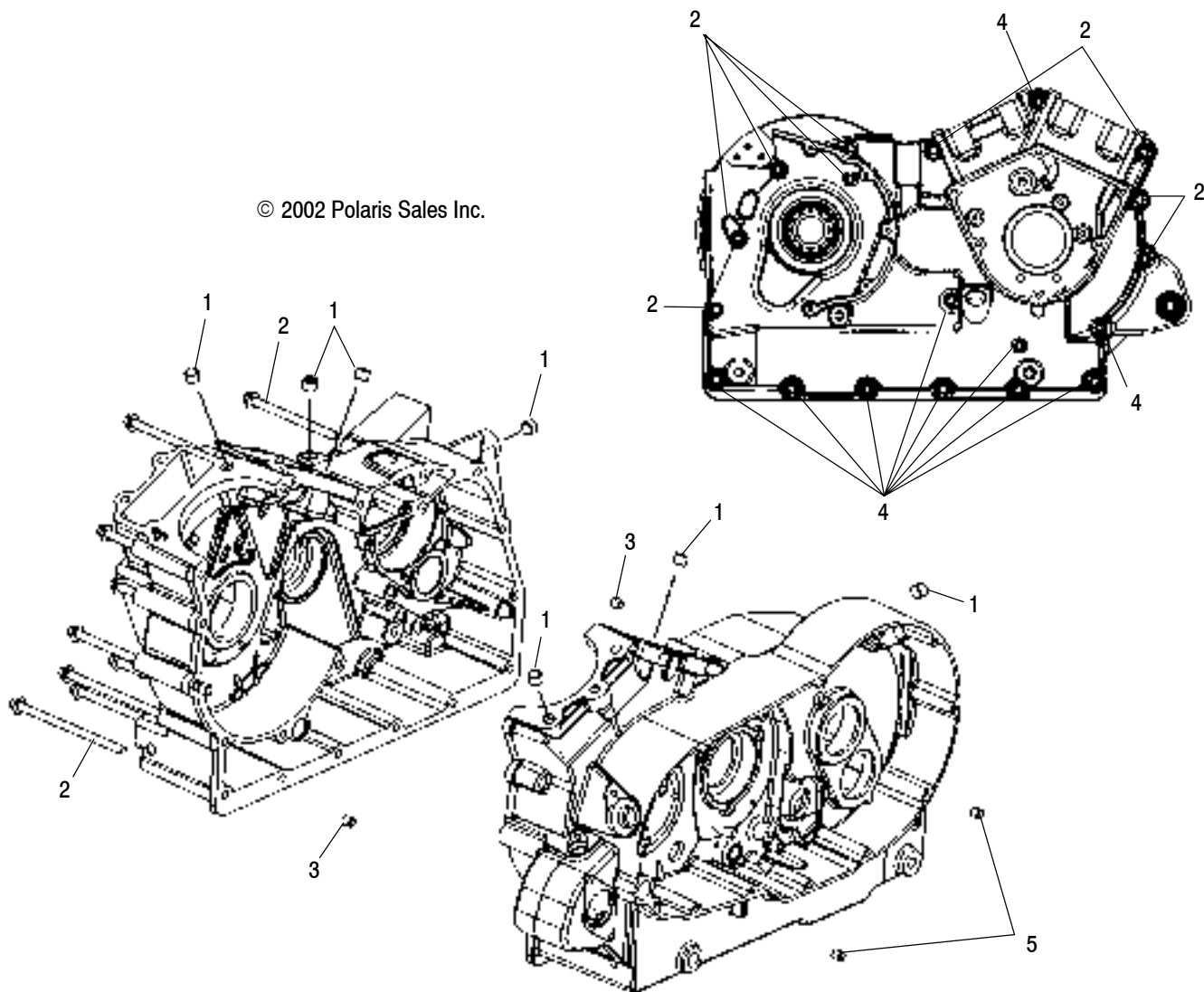
Ref.	Part No.	Qty.	Description
8	7721122	2	Key
9	7663010	1	Pin, Solid
10	3021274	1	Asm., Crankshaft (Incl. 8,11)
11	7052320	1	Plug
12	3514390-067	4	Bearing, Rod, Black
	3514390-159	4	Bearing, Rod, Orange
	3514390-027	4	Bearing, Rod, Blue
13	7517937	4	Screw

4/03

CRANKCASE

CLASSIC CRUISER V03CB16CA and CLASSIC CRUISER V03CB16CB and CLASSIC CRUISER V03CB16CC and CLASSIC CRUISER V03CB16CD and CLASSIC CRUISER V03CB16DA and CLASSIC CRUISER V03CB16DB and CLASSIC CRUISER V03CB16DC and CLASSIC CRUISER V03CB16DD and CLASSIC CRUISER V03CB16LA and CLASSIC CRUISER V03CB16LB and CLASSIC CRUISER V03CB16LC and CLASSIC CRUISER V03CB16LD and CLASSIC CRUISER V03CB16UA and CLASSIC CRUISER V03CB16UB and CLASSIC CRUISER V03CB16UC and CLASSIC CRUISER V03CB16UD

© 2002 Polaris Sales Inc.



Part numbers may have changed since this microfiche was issued. To ensure that correct parts are received, refer to PartSmart, which is updated monthly.

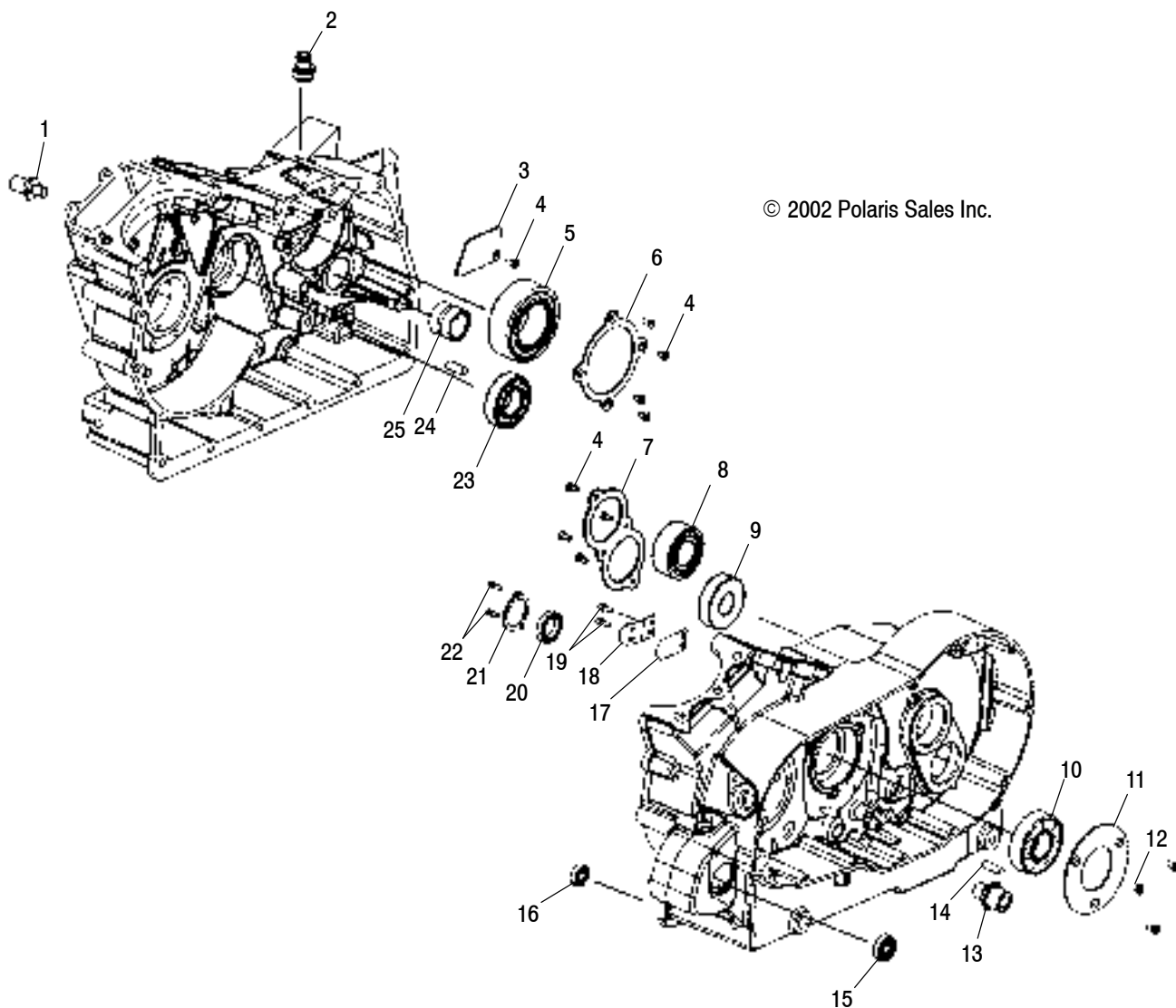
Ref.	Part No.	Qty.	Description
	1202542	1	Asm., Crankcase (Incl. 1,3,5 and Bearings)
	1202543	1	Asm., Crankcase, Silver (Incl. 1,3,5 and Bearings)
1	7663008	6	Dowel

Ref.	Part No.	Qty.	Description
2	7517409	9	Screw
3	7663005	2	Dowel
4	7517719	10	Screw
5	7663007	2	Dowel

9/02

CRANKCASE BEARINGS

CLASSIC CRUISER V03CB16CA and CLASSIC CRUISER V03CB16CB and CLASSIC CRUISER V03CB16CC and CLASSIC CRUISER V03CB16CD and CLASSIC CRUISER V03CB16DA and CLASSIC CRUISER V03CB16DB and CLASSIC CRUISER V03CB16DC and CLASSIC CRUISER V03CB16DD and CLASSIC CRUISER V03CB16LA and CLASSIC CRUISER V03CB16LB and CLASSIC CRUISER V03CB16LC and CLASSIC CRUISER V03CB16LD and CLASSIC CRUISER V03CB16UA and CLASSIC CRUISER V03CB16UB and CLASSIC CRUISER V03CB16UC and CLASSIC CRUISER V03CB16UD



© 2002 Polaris Sales Inc.

Part numbers may have changed since this microfiche was issued. To ensure that correct parts are received, refer to PartSmart, which is updated monthly.

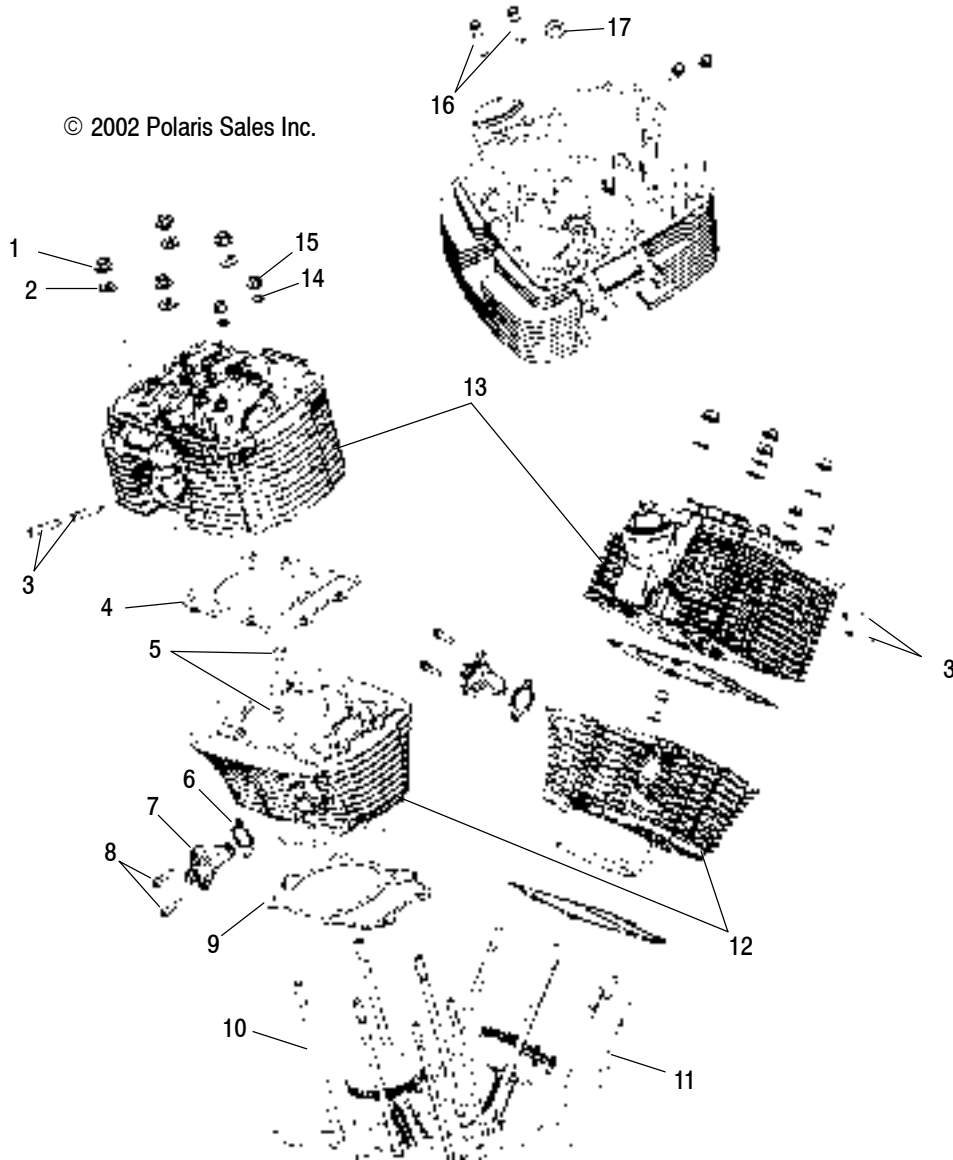
Ref.	Part No.	Qty.	Description
1	5010430	1	Adaptor, Cam Chain Guide
2	5132270	1	Fitting, Breather
3	5131792	1	Plate, Breather Baffle
4	7517255	9	Screw
5	3513515	1	Bearing
6	5211817	1	Plate, Bearing Retaining (Main)
7	5211774	1	Plate, Bearing Retaining
8	3513524	1	Bearing, Ball, Double Row
9	3513512	1	Bearing, Ball
10	3514404	1	Bearing, Ball
11	5211773	1	Plate, Retaining, Bearing (Balance)
12	7517598	3	Screw
13	5132139	1	Adaptor, Shift Shaft

Ref.	Part No.	Qty.	Description
14	7661101	1	Pin, Solid
15	3513518	1	Bearing, Ball
16	3514313	1	Bearing, Ball
17	5131793	1	Plate, Reed Valve
18	5131791	1	Plate, Reed Backer
19	7517276	2	Screw
20	3513511	1	Bearing, Ball
21	5244477	1	Plate, Bearing
22	7517797	2	Screw
23	3514426	1	Bearing, Ball
24	7661020	1	Pin, Solid
25	3584007	1	Bearing

CYLINDER and HEAD

CLASSIC CRUISER V03CB16CA and CLASSIC CRUISER V03CB16CB and CLASSIC CRUISER V03CB16CC and CLASSIC CRUISER V03CB16CD and CLASSIC CRUISER V03CB16DA and CLASSIC CRUISER V03CB16DB and CLASSIC CRUISER V03CB16DC and CLASSIC CRUISER V03CB16DD and CLASSIC CRUISER V03CB16LA and CLASSIC CRUISER V03CB16LB and CLASSIC CRUISER V03CB16LC and CLASSIC CRUISER V03CB16LD and CLASSIC CRUISER V03CB16UA and CLASSIC CRUISER V03CB16UB and CLASSIC CRUISER V03CB16UC and CLASSIC CRUISER V03CB16UD

© 2002 Polaris Sales Inc.



Part numbers may have changed since this microfiche was issued. To ensure that correct parts are received, refer to PartSmart, which is updated monthly.

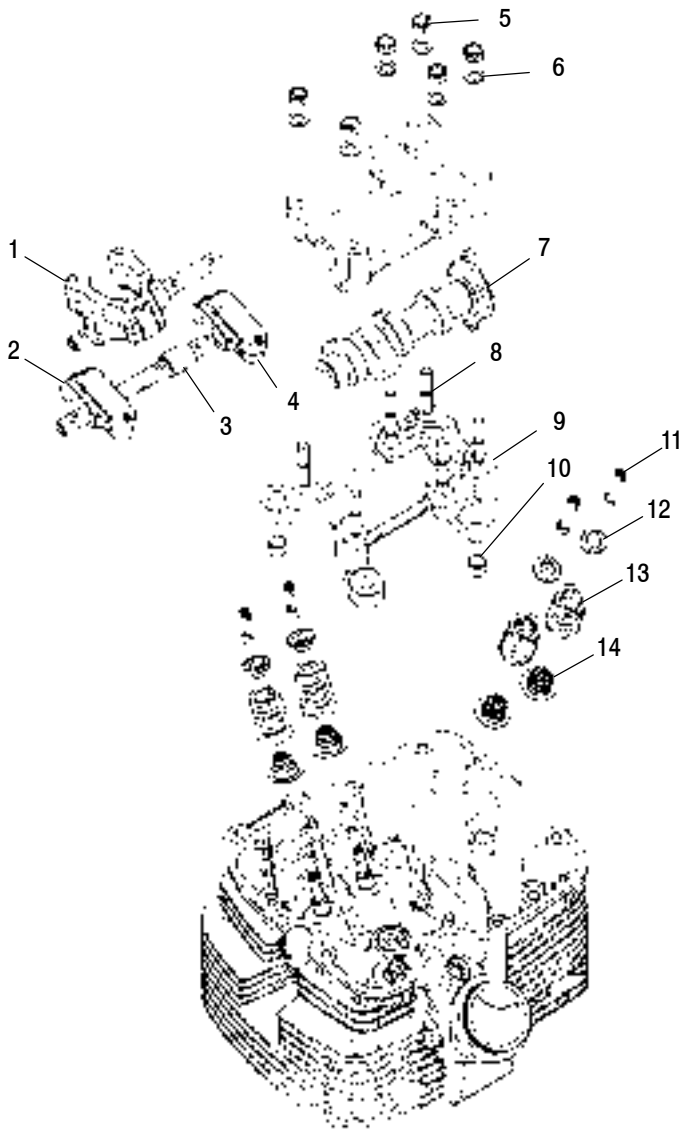
Ref.	Part No.	Qty.	Description
	2202191	1	Kit, Gasket, Top End
	2202192	1	Kit, Gasket, Complete, V92C
1	7547017	8	Nut
2	7555986	8	Washer, Flat
3	5132040	4	Stud, Exhaust Mount
4	5244363	2	Gasket, Head
5	7663008	4	Dowel
6	5830225	2	Gasket, Tensioner
7	3021374	2	Tensioner, Camchain
8	7517259	4	Screw
9	5244365	2	Gasket, Base

Ref.	Part No.	Qty.	Description
10	5132597	8	Stud, Cylinder Mounting
11	5132633	4	Stud, Cylinder Mounting
12	5132410	2	Cylinder
	5132410-431	2	Cylinder, Silver
13	3021128	1	Head, Cylinder, Front (Incl. 16,17)
	3021217	1	Head, Cylinder, Front, Silver (Incl. 16,17)
	3021129	1	Head, Cylinder, Rear (Incl. 16,17)
	3021218	1	Head, Cylinder, Rear, Silver (Incl. 16,17)
14	7556043	4	Washer, Flat
15	7547014	4	Nut
16	3021154	8	Guide, Valve
17	7052315	2	Plug, Pipe

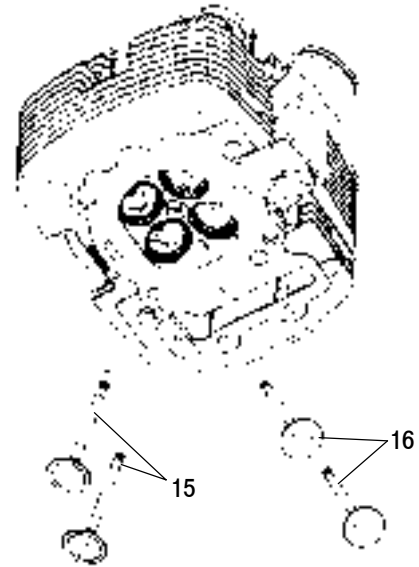
8/02

VALVE TRAIN

CLASSIC CRUISER V03CB16CA and CLASSIC CRUISER V03CB16CB and CLASSIC CRUISER V03CB16CC and CLASSIC CRUISER V03CB16CD and CLASSIC CRUISER V03CB16DA and CLASSIC CRUISER V03CB16DB and CLASSIC CRUISER V03CB16DC and CLASSIC CRUISER V03CB16DD and CLASSIC CRUISER V03CB16LA and CLASSIC CRUISER V03CB16LB and CLASSIC CRUISER V03CB16LC and CLASSIC CRUISER V03CB16LD and CLASSIC CRUISER V03CB16UA and CLASSIC CRUISER V03CB16UB and CLASSIC CRUISER V03CB16UC and CLASSIC CRUISER V03CB16UD



© 2002 Polaris Sales Inc.



Part numbers may have changed since this microfiche was issued. To ensure that correct parts are received, refer to PartSmart, which is updated monthly.

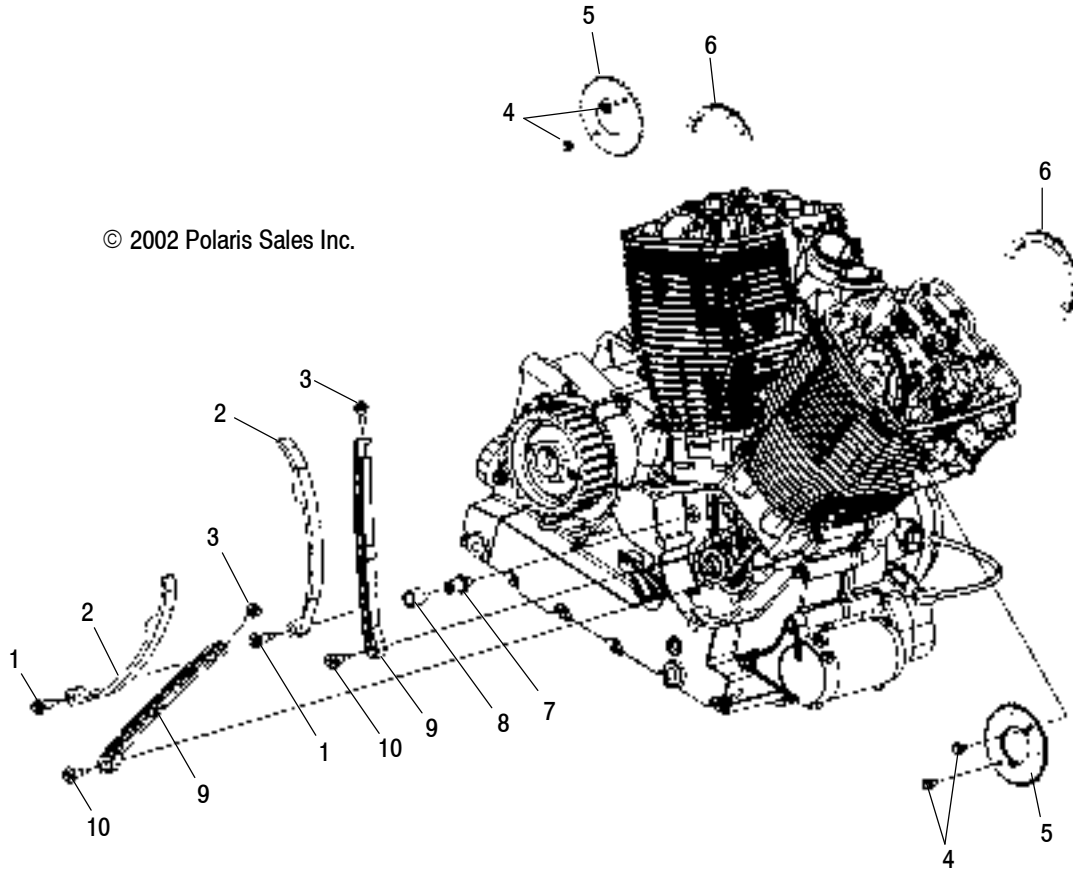
Ref.	Part No.	Qty.	Description
1	3021169	2	Asm., Rocker Arm, Exhaust
2	3021189	4	Asm., Rocker Shaft
3	5133625	2	Spacer, Rocker Arm
4	3021168	4	Asm., Rocker Arm Intake
5	7547080	12	Nut
6	7556211	12	Washer, Flat
7	3021162 3021166	1 1	Camshaft, Front Camshaft, Rear
8	5132593	12	Stud

Ref.	Part No.	Qty.	Description
9	3021177 3021178	1 1	Asm., Cam Carrier, Front Asm., Carrier, Rear
10	7663008	4	Dowel
11	7010081	16	Keeper, Valve
12	3021153	8	Cap, Valve
13	7041892	8	Spring, Valve
14	3610078	8	Seal, Valve Stem
15	3021151	4	Valve, Intake
16	3021357	4	Valve, Exhaust

4/03

CAMCHAIN and TENSIONER

CLASSIC CRUISER V03CB16CA and CLASSIC CRUISER V03CB16CB and CLASSIC CRUISER V03CB16CC and CLASSIC CRUISER V03CB16CD and CLASSIC CRUISER V03CB16DA and CLASSIC CRUISER V03CB16DB and CLASSIC CRUISER V03CB16DC and CLASSIC CRUISER V03CB16DD and CLASSIC CRUISER V03CB16LA and CLASSIC CRUISER V03CB16LB and CLASSIC CRUISER V03CB16LC and CLASSIC CRUISER V03CB16LD and CLASSIC CRUISER V03CB16UA and CLASSIC CRUISER V03CB16UB and CLASSIC CRUISER V03CB16UC and CLASSIC CRUISER V03CB16UD



© 2002 Polaris Sales Inc.

Part numbers may have changed since this microfiche was issued. To ensure that correct parts are received, refer to PartSmart, which is updated monthly.

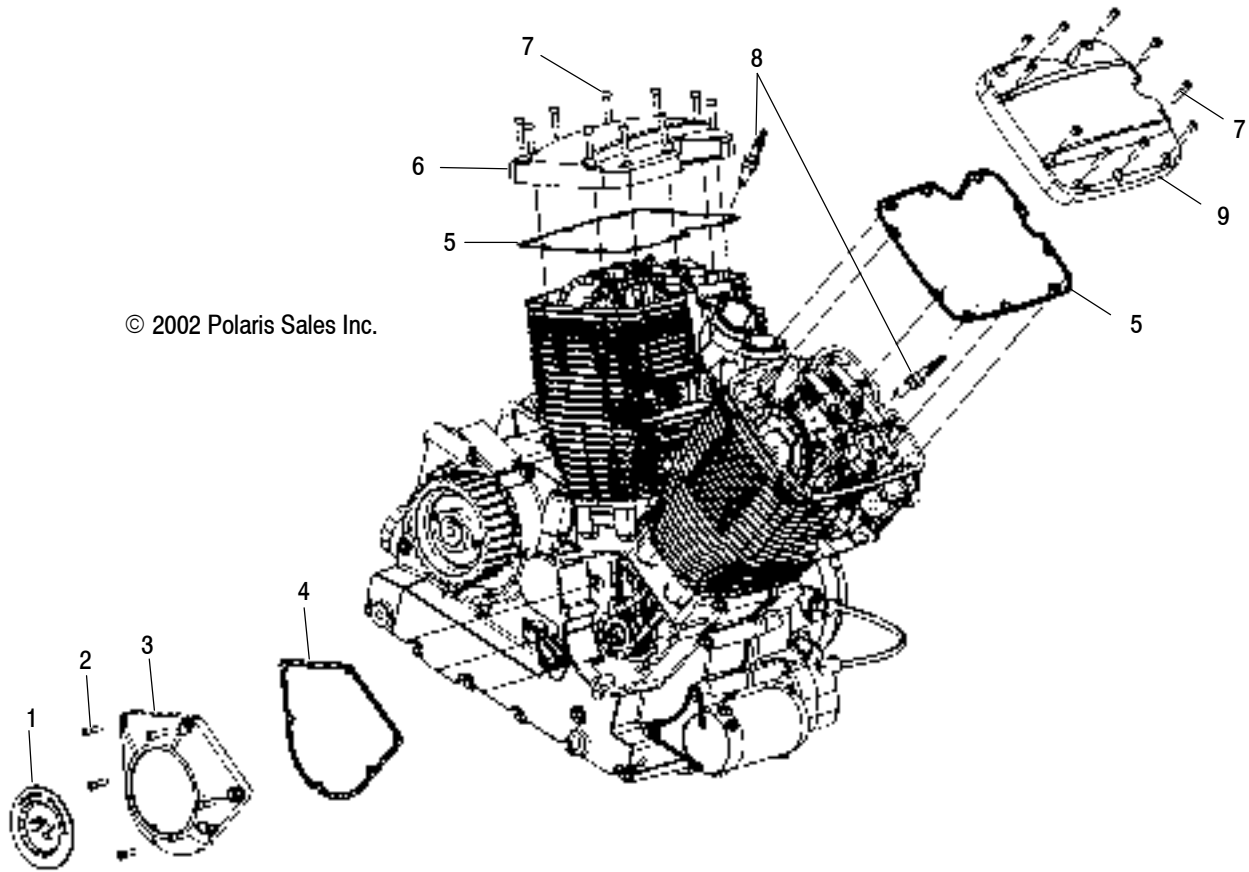
Ref.	Part No.	Qty.	Description
1	7517286	2	Bolt
2	3060009	2	Guide, Rotating Camchain
3	7516409	2	Bolt
4	7517257	4	Screw
5	3222091	2	Sprocket, 38T, Camshaft

Ref.	Part No.	Qty.	Description
6	3221145	2	Chain, Camshaft
7	5010430	1	Adaptor, Cam Chain Guide
8	3060011	1	Spacer
9	3060008	2	Guide, Fixed Camchain
10	7517271	2	Bolt

8/02

CAM and VALVE COVERS

CLASSIC CRUISER V03CB16CA and CLASSIC CRUISER V03CB16CB and CLASSIC CRUISER V03CB16CC and CLASSIC CRUISER V03CB16CD and CLASSIC CRUISER V03CB16DA and CLASSIC CRUISER V03CB16DB and CLASSIC CRUISER V03CB16DC and CLASSIC CRUISER V03CB16DD and CLASSIC CRUISER V03CB16LA and CLASSIC CRUISER V03CB16LB and CLASSIC CRUISER V03CB16LC and CLASSIC CRUISER V03CB16LD and CLASSIC CRUISER V03CB16UA and CLASSIC CRUISER V03CB16UB and CLASSIC CRUISER V03CB16UC and CLASSIC CRUISER V03CB16UD



Part numbers may have changed since this microfiche was issued. To ensure that correct parts are received, refer to PartSmart, which is updated monthly.

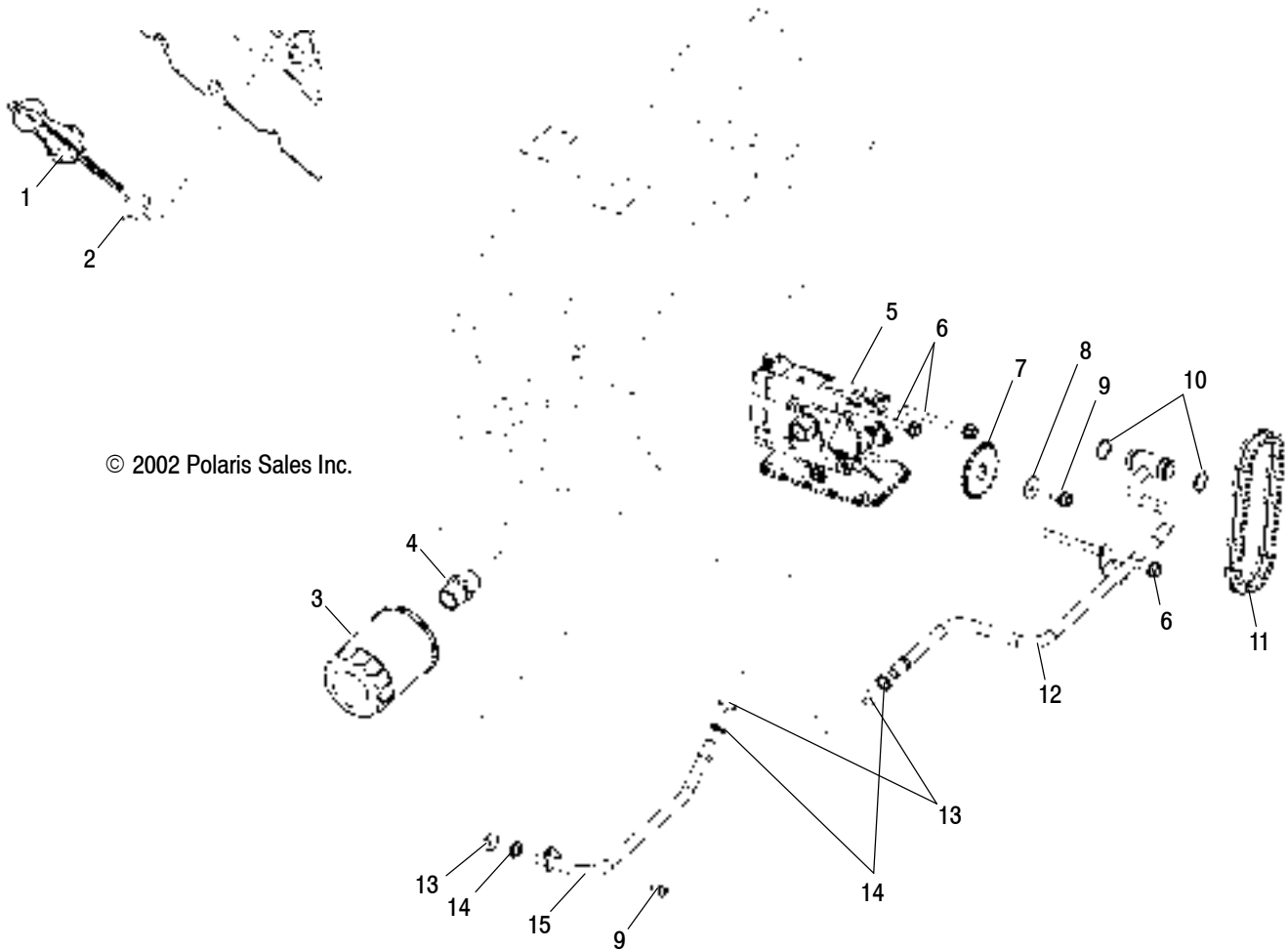
Ref.	Part No.	Qty.	Description
1	5245961	1	Cover, Cam Drive Cap
2	7517259	6	Screw
3	5133265	1	Cover, Cam Drive
4	5830224	1	Gasket, Cam Cover
5	5830202	2	Gasket, Valve Cover

Ref.	Part No.	Qty.	Description
6	5133857	1	Cover, Valve, Rear, Chrome
7	7517301	20	Screw
8	3070188	2	Plug, Spark, NGK CR7EB
9	5133858	1	Cover, Valve, Front, Chrome

9/02

OIL PUMP MOUNTING

CLASSIC CRUISER V03CB16CA and CLASSIC CRUISER V03CB16CB and CLASSIC CRUISER V03CB16CC and CLASSIC CRUISER V03CB16CD and CLASSIC CRUISER V03CB16DA and CLASSIC CRUISER V03CB16DB and CLASSIC CRUISER V03CB16DC and CLASSIC CRUISER V03CB16DD and CLASSIC CRUISER V03CB16LA and CLASSIC CRUISER V03CB16LB and CLASSIC CRUISER V03CB16LC and CLASSIC CRUISER V03CB16LD and CLASSIC CRUISER V03CB16UA and CLASSIC CRUISER V03CB16UB and CLASSIC CRUISER V03CB16UC and CLASSIC CRUISER V03CB16UD



© 2002 Polaris Sales Inc.

Part numbers may have changed since this microfiche was issued. To ensure that correct parts are received, refer to PartSmart, which is updated monthly.

Ref.	Part No.	Qty.	Description
1	5434349	1	Dipstick, Oil Fill
2	5411331	1	O-Ring
3	2540086	1	Filter, Oil
4	2540115	1	Nipple
5	-----	1	Asm., Oil Pump (See Oil Pump Pg. D2 for Details)
6	7517256	3	Screw
7	3221082	1	Sprocket, 19T

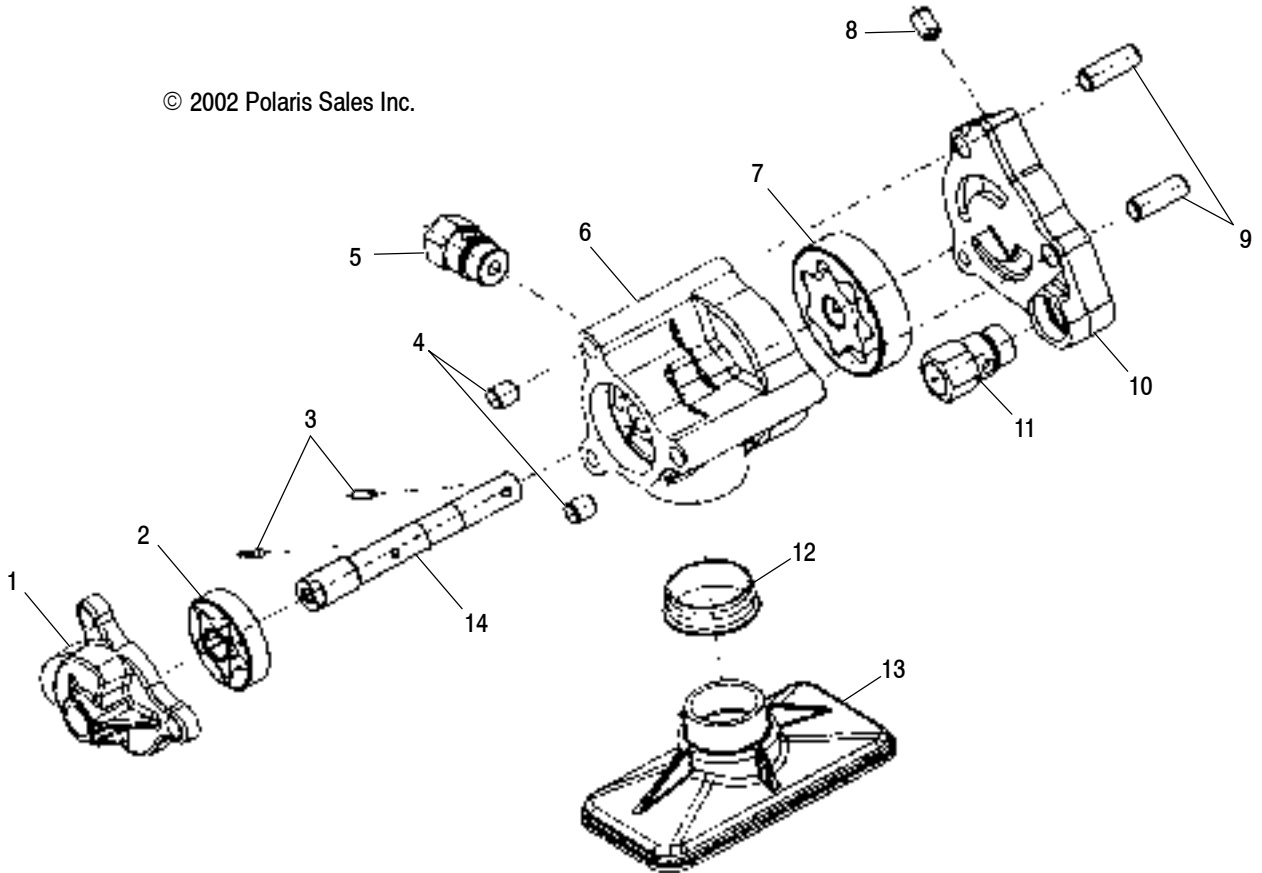
Ref.	Part No.	Qty.	Description
8	7556054	1	Washer, Flat
9	7517406	1	Screw
10	5412002	2	O-Ring
11	3221144	1	Chain
12	2540076	1	Tube, Oil, Filter/Crankcase
13	5411231	3	O-Ring
14	7556026	3	Washer
15	2540095	1	Tube, Oil, Outlet

9/02

OIL PUMP

CLASSIC CRUISER V03CB16CA and CLASSIC CRUISER V03CB16CB and CLASSIC CRUISER V03CB16CC and CLASSIC CRUISER V03CB16CD and CLASSIC CRUISER V03CB16DA and CLASSIC CRUISER V03CB16DB and CLASSIC CRUISER V03CB16DC and CLASSIC CRUISER V03CB16DD and CLASSIC CRUISER V03CB16LA and CLASSIC CRUISER V03CB16LB and CLASSIC CRUISER V03CB16LC and CLASSIC CRUISER V03CB16LD and CLASSIC CRUISER V03CB16UA and CLASSIC CRUISER V03CB16UB and CLASSIC CRUISER V03CB16UC and CLASSIC CRUISER V03CB16UD

© 2002 Polaris Sales Inc.



Part numbers may have changed since this microfiche was issued. To ensure that correct parts are received, refer to PartSmart, which is updated monthly.

Ref.	Part No.	Qty.	Description
1	5133039	1	Cap, Oil Pump
2	2540091	1	Gerotor, Lubrication
3	7661123	2	Pin, Clevis
4	7663007	2	Dowel
5	2540088	1	Asm., Regulator Valve
6	5133043	1	Body, Pump
7	2540092	1	Gerotor, Cooling

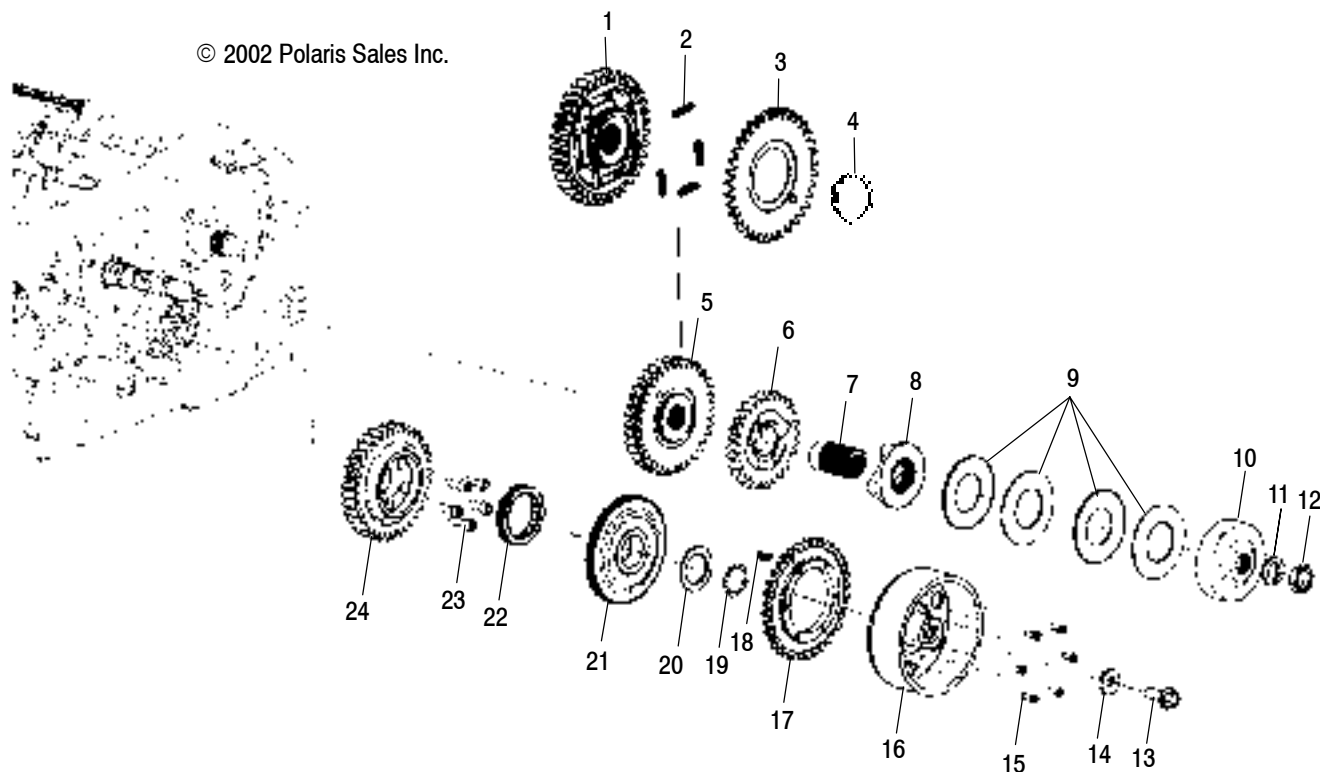
Ref.	Part No.	Qty.	Description
8	2540080	1	Jet, Oil
9	7663014	2	Dowel
10	5133040	1	Base
11	2540096	1	Asm., Regulator Valve
12	3610081	1	Seal, Oil Inlet
13	2540090	1	Asm., Inlet Screen
14	2540089	1	Shaft, Oil Pump

10/01

PRIMARY DRIVE

CLASSIC CRUISER V03CB16CA and CLASSIC CRUISER V03CB16CB and CLASSIC CRUISER V03CB16CC and CLASSIC CRUISER V03CB16CD and CLASSIC CRUISER V03CB16DA and CLASSIC CRUISER V03CB16DB and CLASSIC CRUISER V03CB16DC and CLASSIC CRUISER V03CB16DD and CLASSIC CRUISER V03CB16LA and CLASSIC CRUISER V03CB16LB and CLASSIC CRUISER V03CB16LC and CLASSIC CRUISER V03CB16LD and CLASSIC CRUISER V03CB16UA and CLASSIC CRUISER V03CB16UB and CLASSIC CRUISER V03CB16UC and CLASSIC CRUISER V03CB16UD

© 2002 Polaris Sales Inc.



Part numbers may have changed since this microfiche was issued. To ensure that correct parts are received, refer to PartSmart, which is updated monthly.

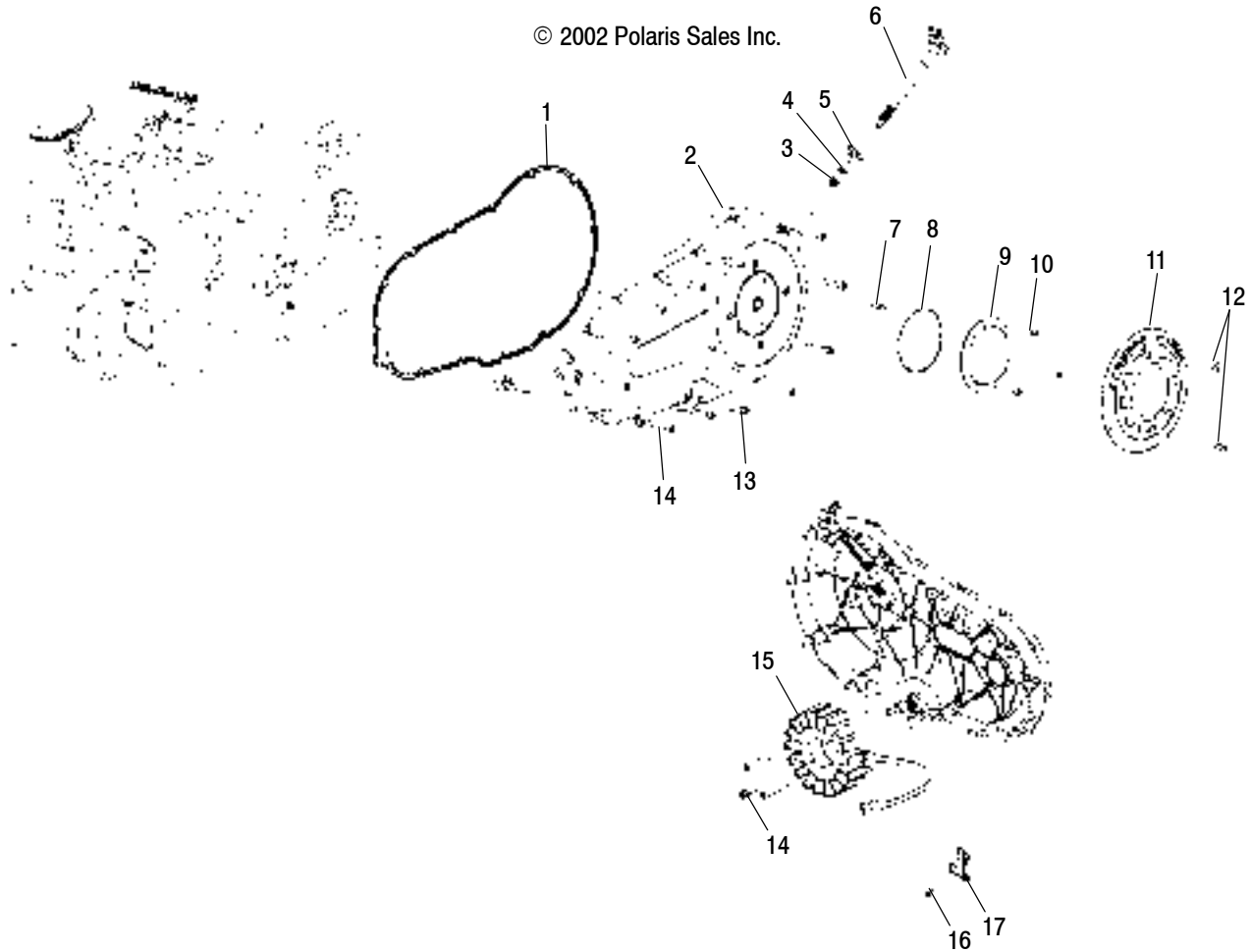
Ref.	Part No.	Qty.	Description
1	6230238	1	Gear, Split, Drive
2	7042096	4	Spring, Split Gear
3	6230239	1	Gear, Split, Backlash
4	7710529	1	Ring, Retaining
5	1341414	1	Asm., Split Gear, 37T (Incl. 1-4)
6	6230212	1	Gear, Compensator
7	5133045	1	Sleeve, Compensator
8	5133044	1	Slider, Compensator
9	7042019	4	Spring, Belleville Compensator
10	5133085	1	Retainer, Compensator
11	7556166	1	Washer, Split Lock
12	7547019	1	Nut

Ref.	Part No.	Qty.	Description
13	7518008	1	Bolt, Oil Jet
14	7556237	1	Washer, Flat
15	7517882	6	Screw
16	3021211	1	Flywheel
17	3021197	1	Adaptor, Flywheel
18	7721122	1	Key, Woodruff
19	7710490	1	Ring, Retaining, 35 Degree
20	7556237	1	Washer, Flat
21	1013722	1	Asm., Crankshaft Gear Starter Drive
22	4060156	1	Clutch, Starter Drive
23	7517260	5	Screw
24	6230240	1	Gear, Crankshaft

PRIMARY COVER

CLASSIC CRUISER V03CB16CA and CLASSIC CRUISER V03CB16CB and CLASSIC CRUISER V03CB16CC and CLASSIC CRUISER V03CB16CD and CLASSIC CRUISER V03CB16DA and CLASSIC CRUISER V03CB16DB and CLASSIC CRUISER V03CB16DC and CLASSIC CRUISER V03CB16DD and CLASSIC CRUISER V03CB16LA and CLASSIC CRUISER V03CB16LB and CLASSIC CRUISER V03CB16LC and CLASSIC CRUISER V03CB16LD and CLASSIC CRUISER V03CB16UA and CLASSIC CRUISER V03CB16UB and CLASSIC CRUISER V03CB16UC and CLASSIC CRUISER V03CB16UD

© 2002 Polaris Sales Inc.



Part numbers may have changed since this microfiche was issued. To ensure that correct parts are received, refer to PartSmart, which is updated monthly.

Ref.	Part No.	Qty.	Description
	5830227	1	Kit, Gasket, Beaded Paper
1	5830223	1	Gasket, Primary Cover
2	3021305	1	Asm. Primary Cover, Chrome (Incl. 3,4,5)
3	3512106	1	Bearing, Needle
4	3552105	2	Bearing, Needle
5	3610059	2	Seal
6	1013770	1	Pinion, Clutch
7	7517499	1	Screw
8	5412230	1	O-Ring

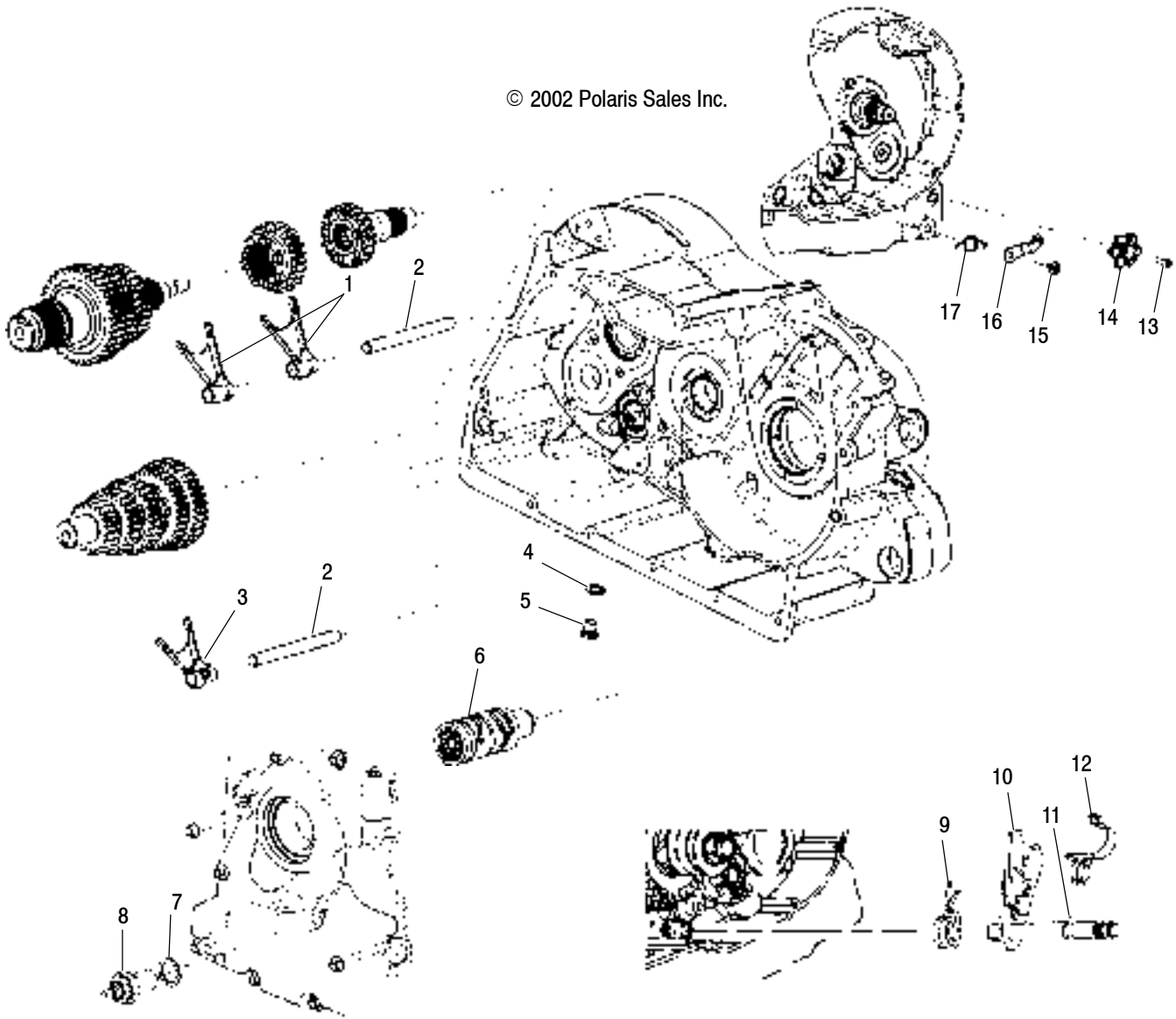
Ref.	Part No.	Qty.	Description
9	5246387	1	Plate, Cap Seal
10	7517483	3	Screw
11	5245960	1	Cover, Primary Cap, Chrome
12	7517754	2	Screw
13	7517301	1	Screw
14	7517261	16	Screw
15	4010436	1	Stator
16	7517515	1	Screw
17	5245036	1	Bracket, Stator Wire

8/02

SHIFT FORKS/DRUM

CLASSIC CRUISER V03CB16CA and CLASSIC CRUISER V03CB16CB and CLASSIC CRUISER V03CB16CC and CLASSIC CRUISER V03CB16CD and CLASSIC CRUISER V03CB16DA and CLASSIC CRUISER V03CB16DB and CLASSIC CRUISER V03CB16DC and CLASSIC CRUISER V03CB16DD and CLASSIC CRUISER V03CB16LA and CLASSIC CRUISER V03CB16LB and CLASSIC CRUISER V03CB16LC and CLASSIC CRUISER V03CB16LD and CLASSIC CRUISER V03CB16UA and CLASSIC CRUISER V03CB16UB and CLASSIC CRUISER V03CB16UC and CLASSIC CRUISER V03CB16UD

© 2002 Polaris Sales Inc.



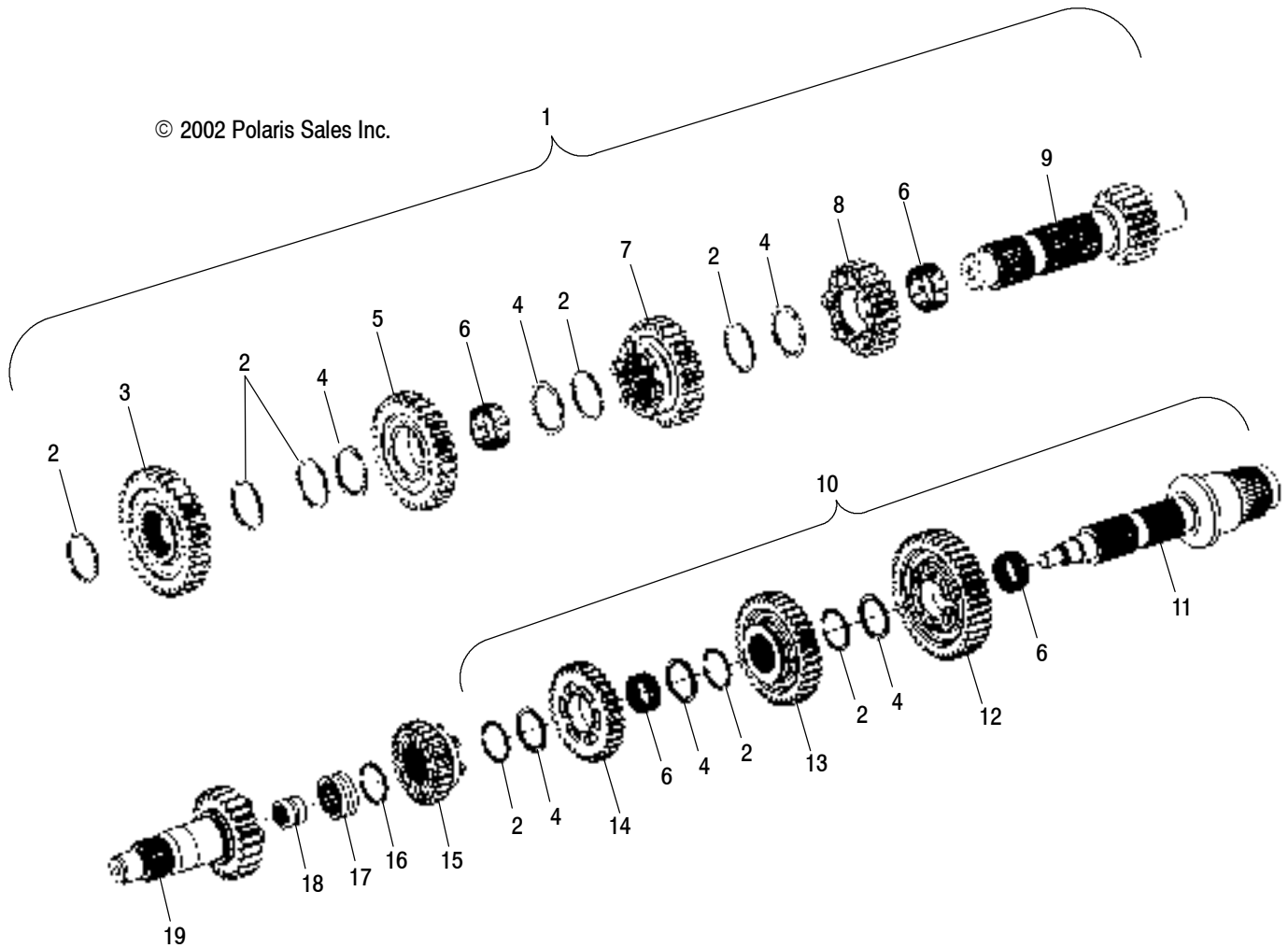
Part numbers may have changed since this microfiche was issued. To ensure that correct parts are received, refer to PartSmart, which is updated monthly.

Ref.	Part No.	Qty.	Description
1	5133255	2	Fork, Shift, Mainshaft
2	5132177	2	Rail, Shift
3	5133256	1	Fork, Shift, Countershaft
4	5812232	1	Washer, Copper
5	7052306	1	Plug, Socket
6	1341415	1	Asm., Shifter Drum (Incl. Bearing, Drum, Pins)
	3513518	1	Bearing, Ball
	7661023	2	Pin, Solid
7	7556154	1	Washer, Flat
8	-----	1	Switch, Neutral Indicator (See Electrical Pg. C1, Ref. 1)

Ref.	Part No.	Qty.	Description
9	7041583	1	Spring
10	1341416	1	Asm., Shifter Ratchet (Incl. 9)
11	7710534	1	Ring, Retaining
12	7041869	1	Spring
13	7517384	1	Screw
14	5133254	1	Star, Shifter
15	7517965	1	Screw
16	1341402	1	Asm., Roller Follower
17	7042087	1	Spring, Tension

TRANSMISSION

CLASSIC CRUISER V03CB16CA and CLASSIC CRUISER V03CB16CB and CLASSIC CRUISER V03CB16CC and CLASSIC CRUISER V03CB16CD and CLASSIC CRUISER V03CB16DA and CLASSIC CRUISER V03CB16DB and CLASSIC CRUISER V03CB16DC and CLASSIC CRUISER V03CB16DD and CLASSIC CRUISER V03CB16LA and CLASSIC CRUISER V03CB16LB and CLASSIC CRUISER V03CB16LC and CLASSIC CRUISER V03CB16LD and CLASSIC CRUISER V03CB16UA and CLASSIC CRUISER V03CB16UB and CLASSIC CRUISER V03CB16UC and CLASSIC CRUISER V03CB16UD



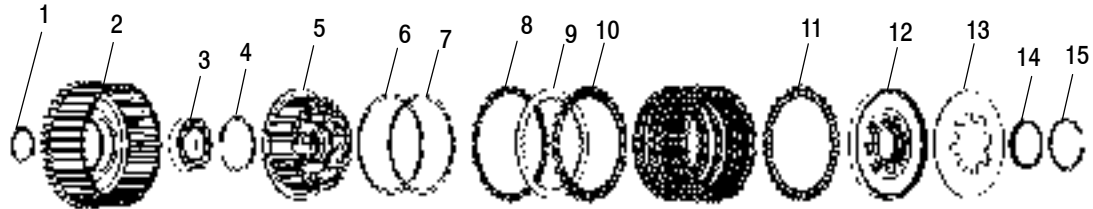
Part numbers may have changed since this microfiche was issued. To ensure that correct parts are received, refer to PartSmart, which is updated monthly.

Ref.	Part No.	Qty.	Description
1	1341452	1	Asm., Countershaft (Incl. 2-9)
2	7710525	8	Ring, Retaining
3	6230234	1	Gear, Common, Countershaft, 34T
4	5246272	6	Washer, Thrust
5	6230264	1	Gear, 4th Countershaft, 31T
6	3584006	4	Bearing, Roller
7	6230263	1	Gear, Countershaft, 3rd, 28T
8	6230257	1	Gear 2nd Countershaft, 24T
9	6230259	1	Shaft, Counter
10	1341451	1	Asm., Mainshaft (Incl. 2,4,6,11-14)

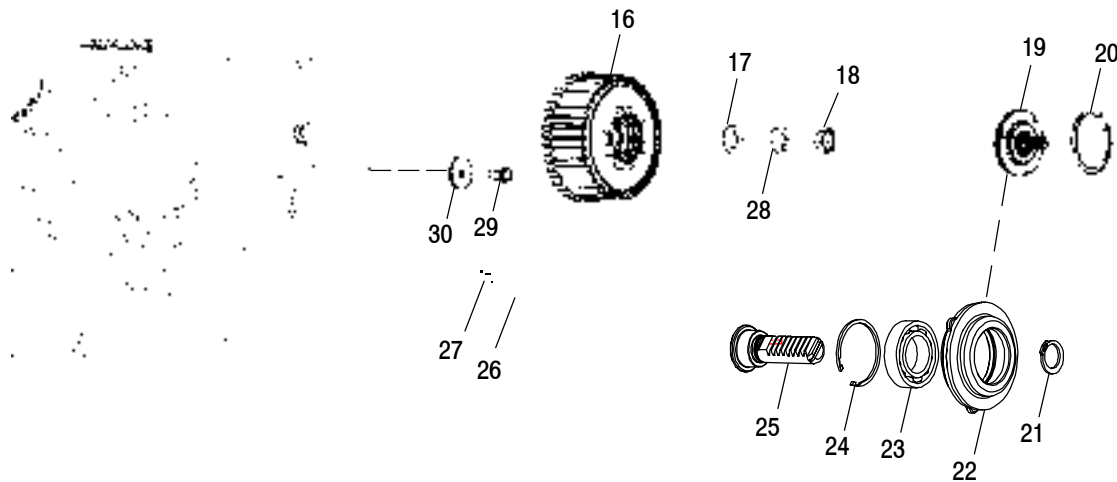
Ref.	Part No.	Qty.	Description
11	6230228	1	Shaft, Main
12	6230260	1	Gear, 1st Mainshaft, 38T
13	6230258	1	Gear, 2nd Mainshaft, 33T
14	6230261	2	Gear, 3rd Mainshaft, 29T
15	6230262	1	Gear, 4th Mainshaft, 26T
16	7710535	1	Ring, Retaining
17	3514401	1	Bearing, Roller
18	3514359	1	Bearing, Needle
19	1341411	1	Asm., Clutchshaft, 5th (Incl. 17,18)

DRIVE CLUTCH

CLASSIC CRUISER V03CB16CA and CLASSIC CRUISER V03CB16CB and CLASSIC CRUISER V03CB16CC and CLASSIC CRUISER V03CB16CD and CLASSIC CRUISER V03CB16DA and CLASSIC CRUISER V03CB16DB and CLASSIC CRUISER V03CB16DC and CLASSIC CRUISER V03CB16DD and CLASSIC CRUISER V03CB16LA and CLASSIC CRUISER V03CB16LB and CLASSIC CRUISER V03CB16LC and CLASSIC CRUISER V03CB16LD and CLASSIC CRUISER V03CB16UA and CLASSIC CRUISER V03CB16UB and CLASSIC CRUISER V03CB16UC and CLASSIC CRUISER V03CB16UD



© 2002 Polaris Sales Inc.

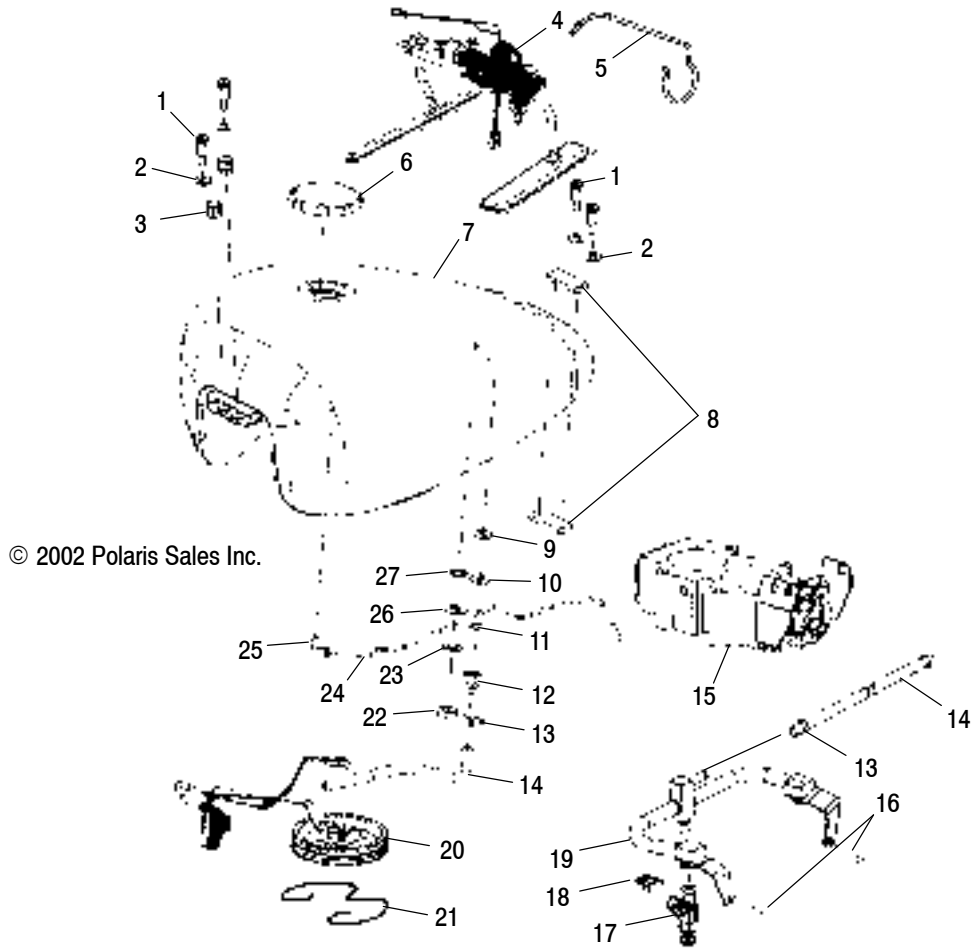


Part numbers may have changed since this microfiche was issued. To ensure that correct parts are received, refer to PartSmart, which is updated monthly.

Ref. Part No.	Qty.	Description	Ref. Part No.	Qty.	Description		
1	7670122	1	Clip, External	16	1322061	1	Asm., Clutch
2	1341438	1	Asm., Gear/Basket	1321899	1	Asm., Clutch Pack (Incl. 9,10,11)	
3	3514358	1	Bearing, Ball	17	5131658	1	Washer
4	7670123	1	Circlip, Internal	18	7547019	1	Nut
5	5133313	1	Hub, Clutch	19	1341427	1	Asm., Rack Insert (Incl. 22,23,24)
6	5246074	1	Seat, Judder Spring	20	7710506	1	Circlip
7	7042123	1	Spring, Diaphragm, Judder	21	7710532	1	Ring, Retaining
8	5246077	1	Plate, Friction Judder	22	5132553	1	Insert, Pressure Plate
9	3230546	9	Plate, Separator	23	3514356	1	Bearing, Ball
10	5246481	8	Plate, Friction	24	7670128	1	Circlip, Internal
11	3230545	1	Plate, Friction Clutch	25	6230245	1	Rack, Clutch
12	5132703	1	Plate, Pressure	26	7051528	1	Plug
13	7042099	1	Spring, Clutch, Diaphragm	27	7517449	1	Screw, Set
14	7710510	1	Ring, Snap	28	7556166	1	Washer, Lock
15	7670124	1	Circlip, Internal	29	7517587	1	Screw
				30	7556139	1	Washer, Flat

FUEL SYSTEM

CLASSIC CRUISER V03CB16CA and CLASSIC CRUISER V03CB16CB and CLASSIC CRUISER V03CB16CC and CLASSIC CRUISER V03CB16CD and CLASSIC CRUISER V03CB16DA and CLASSIC CRUISER V03CB16DB and CLASSIC CRUISER V03CB16DC and CLASSIC CRUISER V03CB16DD and CLASSIC CRUISER V03CB16LA and CLASSIC CRUISER V03CB16LB and CLASSIC CRUISER V03CB16LC and CLASSIC CRUISER V03CB16LD and CLASSIC CRUISER V03CB16UA and CLASSIC CRUISER V03CB16UB and CLASSIC CRUISER V03CB16UC and CLASSIC CRUISER V03CB16UD



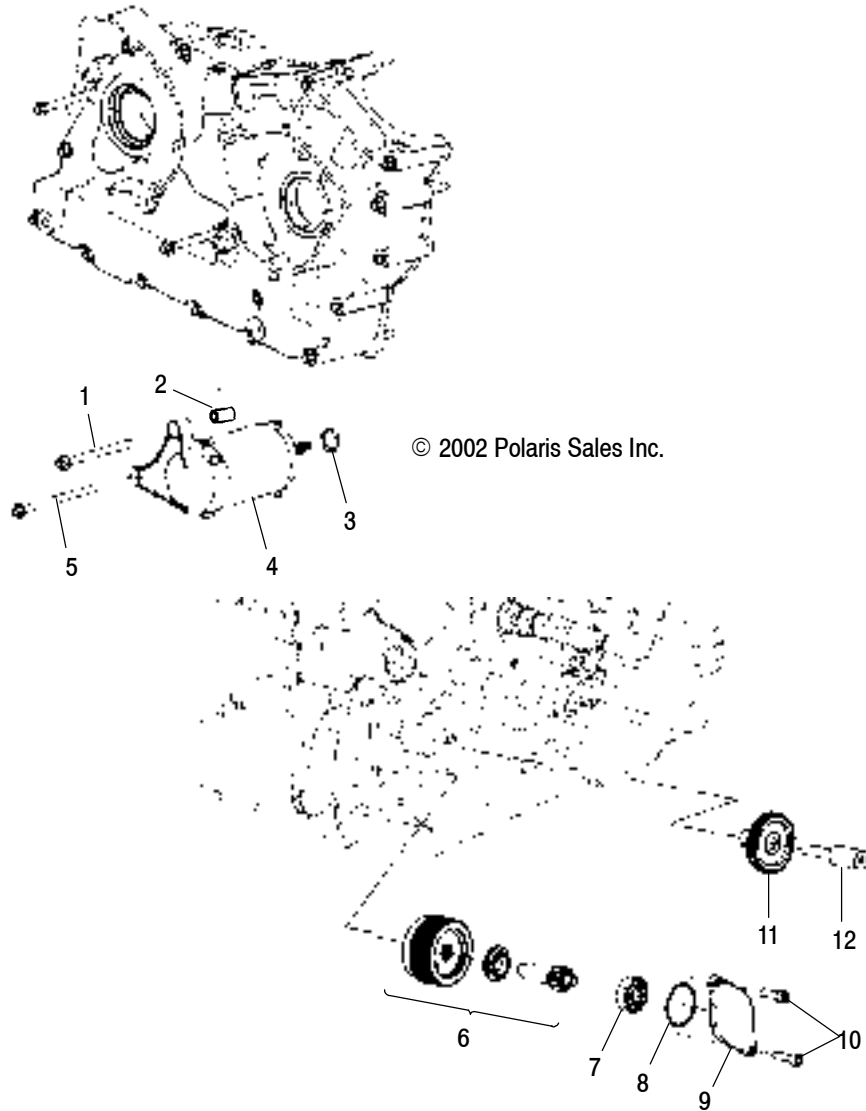
Part numbers may have changed since this microfiche was issued. To ensure that correct parts are received, refer to PartSmart, which is updated monthly.

Ref.	Part No.	Qty.	Description
1	7517723	4	Screw, Socket Head
2	7556123	6	Washer, Flat
3	5811878	2	Grommet, Rubber, Front
4	2520344 2520245	1 1	Pump, Fuel (Incl. 9-12,22,23,26,27) Filter, Fuel Line, Internal
5	5334291	1	Clip, Retainer, Fuel Pump
6	5132333	1	Cap, Fuel
7	1013279-266 1013279-342 1013279-388 1013279-341 1013279-384 1013279B1 1013279B2 1013279B3 1013279B4	1 1 1 1 1 1 1 1 1 1	Tank, Fuel, Black Tank, Fuel, Solar Red Tank, Fuel, Yellow Tank, Fuel, Sonic Blue Tank, Fuel, Flame Tank, Fuel, Blue/Silver Tank, Fuel, Red/Silver Tank, Fuel, Yellow/Black Tank, Fuel, Turquoise/White
8	5411796	2	Pad, Tank Mount, Rear
9	5412093	1	Grommet
10	7556131	1	Washer
11	5411869	1	O-Ring

Ref.	Part No.	Qty.	Description
12	2520251	1	Fitting
13	7080894	6	Clamp, Hose
14	5411942	1	Hose
15	1253363 5411886	1 1	Asm., Throttle Body Cap, Fitting
16	7517405	2	Screw
17	1253405 1500198	2 4	Injector, Fuel O-Ring
18	7670129	2	Clip, Injector Clocking
19	2520207	1	Asm., Fuel Rail
20	4010373 5412071	1 1	Sender, Fuel Level O-Ring
21	7710515	1	Ring, Retaining
22	7547186	1	Nut
23	7556192	1	Washer
24	5433950	1	Line, Vent
25	5411972	1	Elbow, Vent Line
26	7556193	1	Washer
27	5412095	1	Grommet

STARTER MOTOR

CLASSIC CRUISER V03CB16CA and CLASSIC CRUISER V03CB16CB and CLASSIC CRUISER V03CB16CC and CLASSIC CRUISER V03CB16CD and CLASSIC CRUISER V03CB16DA and CLASSIC CRUISER V03CB16DB and CLASSIC CRUISER V03CB16DC and CLASSIC CRUISER V03CB16DD and CLASSIC CRUISER V03CB16LA and CLASSIC CRUISER V03CB16LB and CLASSIC CRUISER V03CB16LC and CLASSIC CRUISER V03CB16LD and CLASSIC CRUISER V03CB16UA and CLASSIC CRUISER V03CB16UB and CLASSIC CRUISER V03CB16UC and CLASSIC CRUISER V03CB16UD



© 2002 Polaris Sales Inc.

Part numbers may have changed since this microfiche was issued. To ensure that correct parts are received, refer to PartSmart, which is updated monthly.

Ref. Part No.	Qty.	Description
1 7517409	1	Screw
2 7663005	2	Dowel
3 5412175	1	O-Ring
4 4060155 4010574	1 1	Starter Starter, Silver
5 7517719	1	Screw
6 3230544	1	Clutch, Torque Limiting

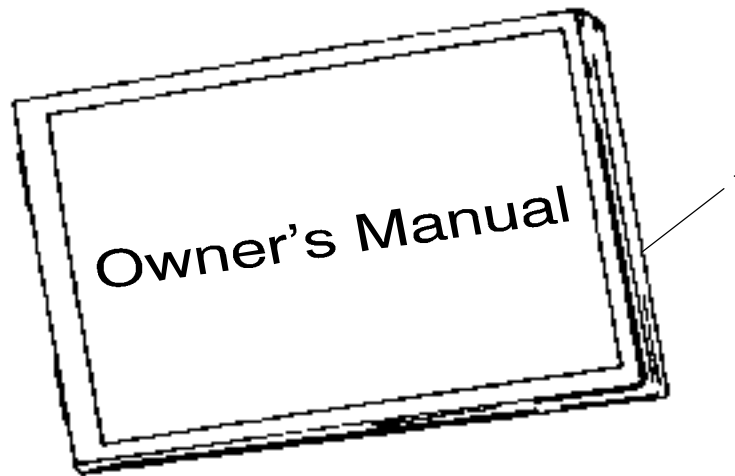
Ref. Part No.	Qty.	Description
7 3513518	1	Bearing, Ball
8 5412292	1	O-Ring
9 5132276 5133119	1 1	Cap, Bearing Cap, Bearing, Silver
10 7517272	2	Screw
11 6230246	1	Gear, Idler
12 5020905	1	Shaft, Idler, Mounting

3/03

OWNER'S MANUAL

CLASSIC CRUISER V03CB16CA and CLASSIC CRUISER V03CB16CB and CLASSIC CRUISER V03CB16CC and CLASSIC CRUISER V03CB16CD and CLASSIC CRUISER V03CB16DA and CLASSIC CRUISER V03CB16DB and CLASSIC CRUISER V03CB16DC and CLASSIC CRUISER V03CB16DD and CLASSIC CRUISER V03CB16LA and CLASSIC CRUISER V03CB16LB and CLASSIC CRUISER V03CB16LC and CLASSIC CRUISER V03CB16LD and CLASSIC CRUISER V03CB16UA and CLASSIC CRUISER V03CB16UB and CLASSIC CRUISER V03CB16UC and CLASSIC CRUISER V03CB16UD

© 2002 Polaris Sales Inc.



Part numbers may have changed since this microfiche was issued. To ensure that correct parts are received, refer to PartSmart, which is updated monthly.

Ref. Part No.	Qty.	Description
1 9918229	1	Manual, Owner's, '03 Classic/Touring Cruisers
9918230	1	Manual, Owner's, '03 Classic/Touring, CND

Ref. Part No.	Qty.	Description
---------------	------	-------------



PRINTED IN THE USA

PARTS MANUAL PN 9918364 and MICROFICHE PN 9918978 3/03

Changed pages in 9918364

	1	2	3	4	5	6	7	8	9	10	11	12	13	14
A	cover	toc							x					
B														
C								x		x		x		
D					x		x							
E														
F														
G														
	1	2	3	4	5	6	7	8	9	10	11	12	13	14