

Doc.Title :PARTS-BREAKDOWN CATALOGUE FOR W150 ENGING

Doc.no(Model code):W150

Brand Name :ZONGSHEN

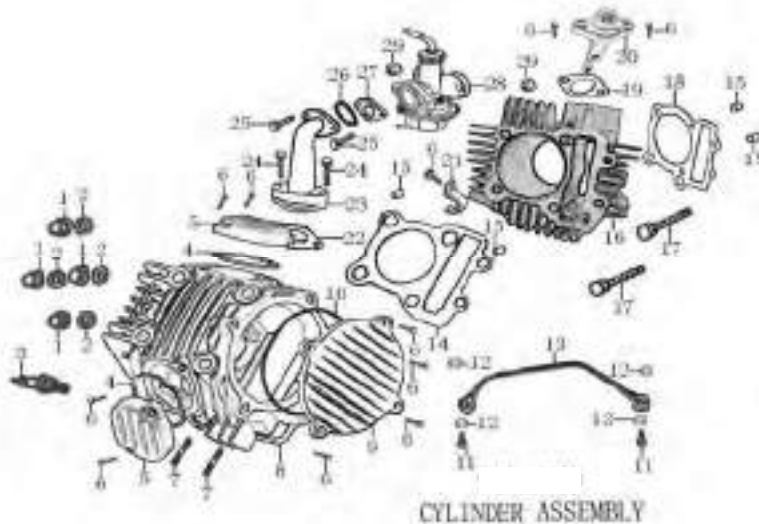
Revision Number:

Date of Release:3.7.2009

Page :1 of 12

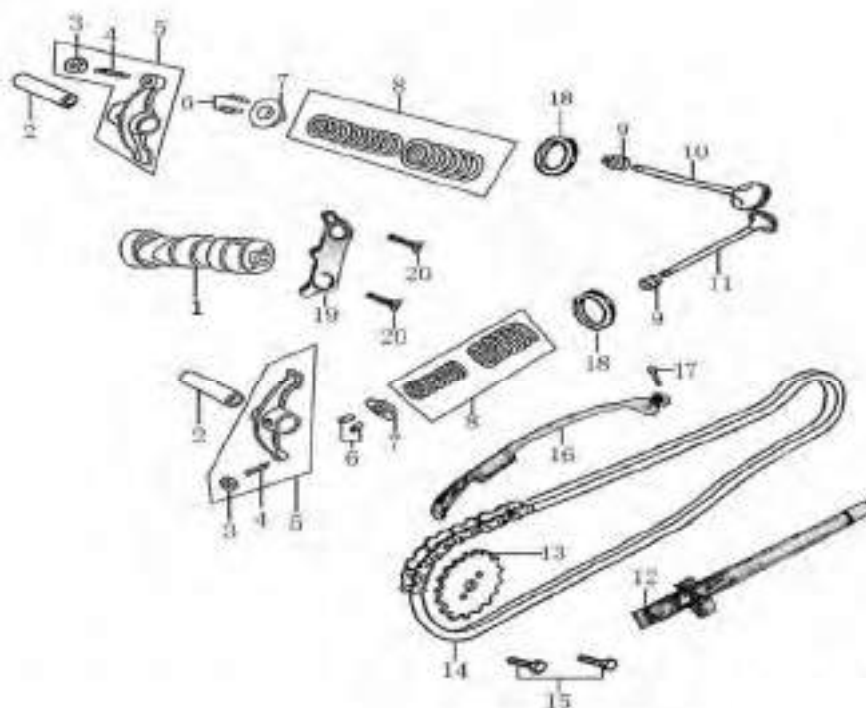
PAGE	ENGLISH DESCRIPTION
1	CYLINDER ASSY
2	VALVE MECHANISM
3	CRANKCASE COVER
4	CLUTCH ASSY
5	OIL PUMP PARTS
6	CRANKCASE
7	CRANKSHAFT/PISTON/CONNECTING ROD COMP
8	TRANSMISSION MECHANISM
10	GEARSHIFT MECHANISM
11	MAGNETO COMP

CYLINDER ASSY



NO.	PART CODE	ENGLISH DESCRIPTION	QTY
1	91201-I006-00000X	NUT M8	4
2	93301-80852218000	WASHER 8.5×2.2×18	4
3	81300-G011-0000	SPARK PLUG (A7TC)	1
4	90104-JE15-0000	LIFTER ASSY	2
5	11230-JE15-00000W	CYLINDER HEAD COMP	2
6	B166740A06001870X	BOLT M6×18	11
7	91138-MA21-00000X	STUD M8×45	2
8	1122B-JE15-00000W	CYLINDER HEAD ASSEMBLY	1
9	11227-JE15-00000W	L.COVER	1
10	90122-JE15-0000	GASKET, L.COVER	1
11	91107-PE03-00000X	BOLT M8×23	2
12	93301-80821014000	WASHER 8.2×1×14	4
13	19305-JE15-0000	VITTA	1
14	9022B-JE15-0000	GASKET ASSEMBLY, CYLINDER HEAD	1
15	91521-10001400000	PIN 10×14	4
16	1110B-JE15-000182	ASSEMBLY, CYLINDER BLOCK	1
17	B166740A06010570X	BOLT M6×105	2
18	90205-JE15-0000	GASKET,CYLINDER BLOCK	1
19	90211-JE15-0000	INLET PIPE (JQ-9L)	1
20	1554B-JE15-0000	GASKET, INLET PIPE	1
21	11003-D002-00000X	CLIP, HIGH VOLTAGE WIRE	1
22	15810-I096-0000	GASKET, INLET PIPE	1
23	15800-JE15-0100	ASSEMBLY, INLET PIPE(JQ-9L)	1
24	B057830006002570X	BOLT M6×25	2
25	B057830006003070X	BOLT M6×30	2
26	90101-10290000240	O-RING 29×2.4	1
27	90214-I096-0000	GASKET, CARBURETOR	1
28	17100-0000-0078	CARBURETOR	1
29	B061700006000090X	NUT M6	2

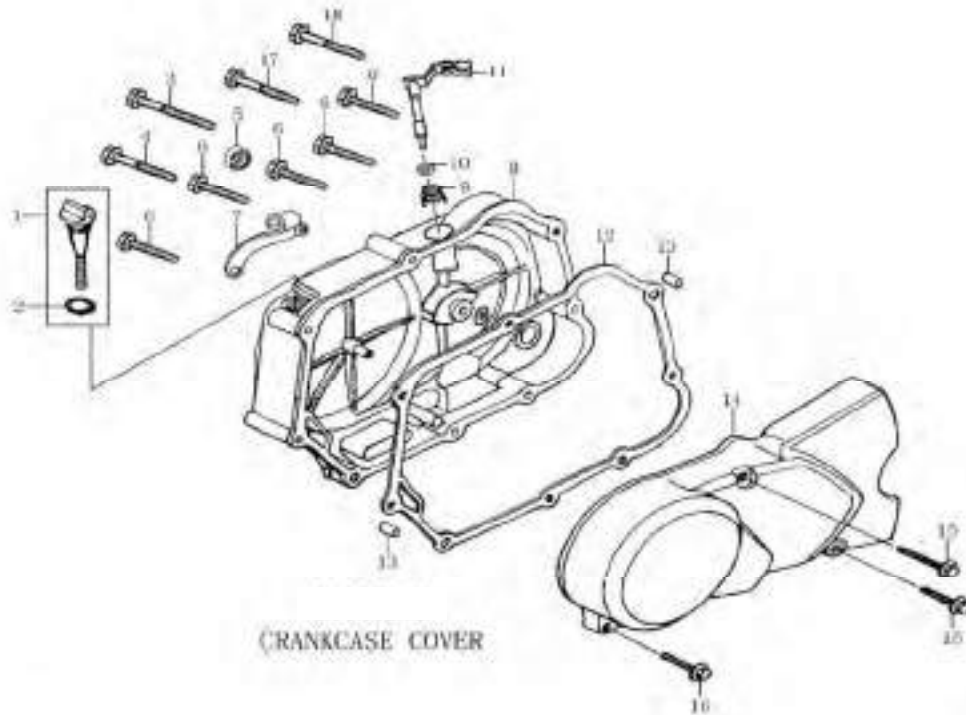
VALVE MECHANISM



VALVE MECHANISM

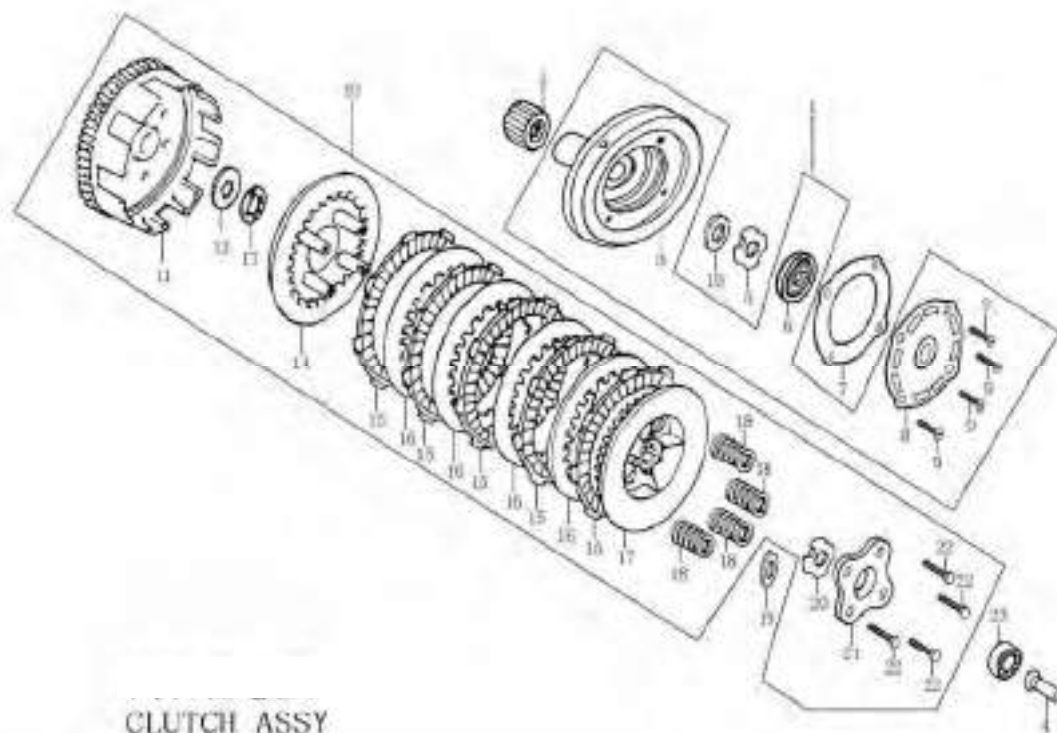
NO.	PART CODE	ENGLISH DESCRIPTION	QTY
1	15100-JE15-0000	CAMSHAFT PARTS	1
2	15402-JE15-0000	SHAFT, VALVE ROCKER ARM	2
3	15403-D002-0000	ADJUSTING NUT, VALVE CLEARANCE	2
4	15404-D002-0000	ADJUSTING SCREW, VALVE CLEARANCE	2
5	1540A-D002-0000	ASSEMBLY, VALVE ROCKER ARM	2
6	15707-JE15-0000	VALVE COTTER	4
7	15705-JE15-0000	RETAINER, VALVE SPRING	2
8	15710-JE15-0000	VALVE INNER SPRING	2
9	1572B-I008-0000	VALVE STEM SEAL ASSEMBLY	2
10	15701-JE15-0000	INLET VALVE	1
11	15702-JE15-0000	EXHAUST VALVE	1
12	1553A-JE15-0000	GUIDE PLATE CHAIN	1
13	15301-JE15-0000	TIMING DRIVEN SPROCKET (32)	1
14	1532B-JE15-0000	ASSEMBLY, TIMING CHAIN (90)	1
15	B057830006001270X	BOLT M6x12	2
16	1552A-JE15-0000	WASHER 8.5x1.5x14 (ALUMINIUM)	1
17	91109-JE15-00000N	PIN SHAFT, GUIDE ROLLER(M8x27.5)	1
18	15706-D002-0000	RETAINER, VALVE SPRING	2
19	15108-JE15-0000	BAFFLE	1
20	B008190106001220B	BLOT M6x12	2

CRANKCASE COVER



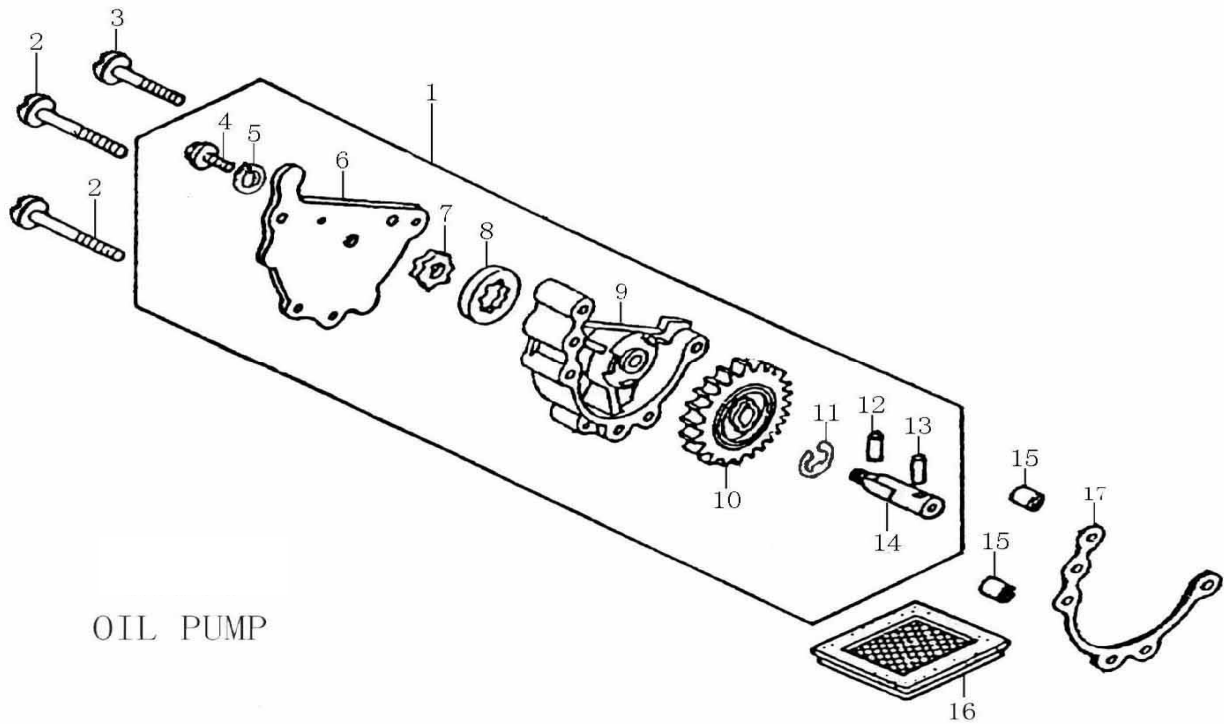
NO.	PART CODE	ENGLISH DESCRIPTION	QTY
1	14301-G011-0000	DIPSTICK	1
2	90101-10180000300	O-RING 18×3	1
3	B166740A06008070X	BOLT M6×80	1
4	B166740A06006570X	BOLT M6×65	1
5	90304-D002-0000	OIL SEAL 13.7×24×5	1
6	B166740A06004070X	BOLT M6×40	5
7	22422-JA16-00000X	STEEL BRACKET, CLUTCH	1
8	12421-JE15-000089	ASSEMBLY, RIGHT CRANKCASE COVER	1
9	22427-I016-0000	SPRING, CONTROLLING ARM, CLUTCH	1
10	90306-I016-0000	OIL SEAL 12×18×5	1
11	2242A-JA16-00000X	CONTROLLING ARM ASSEMBLY, CLUTCH	1
12	90206-JE15-0000	GASKET, RIGHT CRANKCASE COVER	1
13	91521-08001200063	DOWEL PIN 8×12×6.3	2
14	12306-G007-000089	SIDE COVER, LEFT CRANKCASE	1
15	B166740A06003570X	BOLT M6×35	2
16	B166740A06002870X	BOLT M6×28	1
17	B166740A06004570X	BOLT M6×45	1
18	B166740A06008570X	BOLT M6×85	1

CLUTCH ASSY



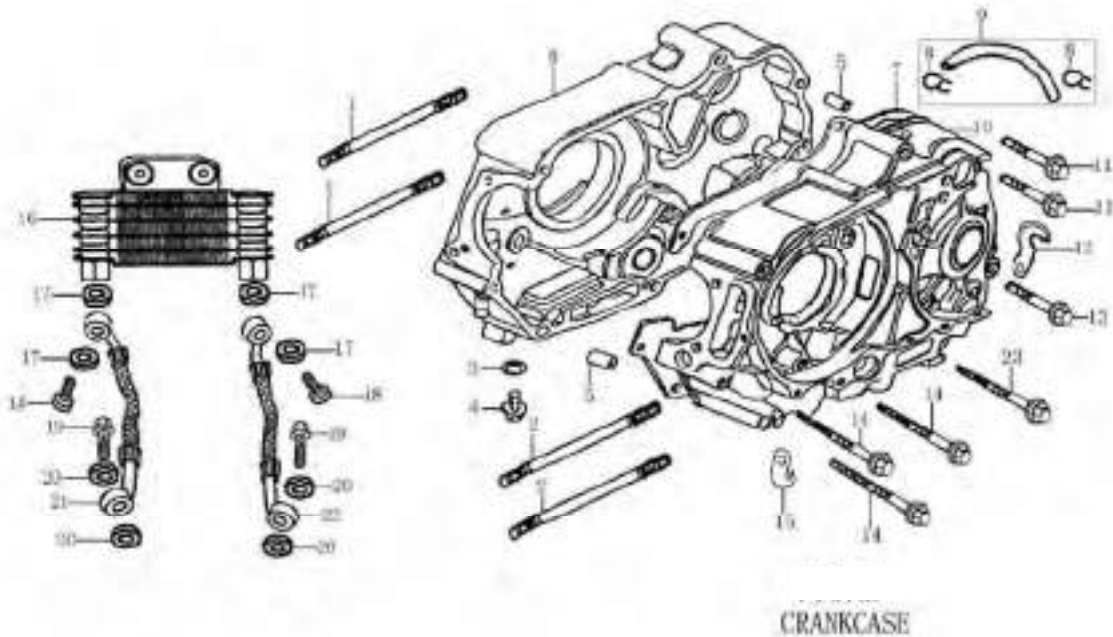
NO.	PART CODE	ENGLISH DESCRIPTION	QTY
1	14200-JA16-0100	ASSEMBLY, OIL FILTER	1
2	23101-IZ27-0000	DRIVE GEAR	1
3	14203-JA16-0100	ROTOR ASSEMBLY, OIL FILTER	1
4	22403-G007-0000	PUSH ROD, CLUTCH	1
5	91208-G011-0000	NUT	1
6	90337-G007-0000	OIL SEAL 6×25×6	1
7	90209-G007-0000	GASKET, OIL FILTER END COVER	1
8	14207-G007-0000	COVER PLATE, OIL FILTER	1
9	B008190005001220B	SCREW M5×12	4
10	22000-JE15-0000	CLUTCH ASSEMBLY	1
11	22150-IZ02-0000	OUT CASE ASSEMBLY, CLUTCH	1
12	22002-G011-0000	SPRINE WASHER, CLUTCH (φ28×2.6)	1
13	22103-G011-0000	FIXING RING, CLUTCH	1
14	22122-JA16-0000	PRESSURE PLATE, CLUTCH	1
15	22214-I006-0000	FRICION PLATE, DRIVE, CLUTCH	5
16	22215-JA16-0000	FRICION PLATE, DRIVEN, CLUTCH	4
17	22105-JA16-0000	CENTER SLEEVE, CLUTCH	1
18	22142-JE15-0000	SPRING, CLUTCH	4
19	22004-G011-0000	THRUST WASHER	2
20	91202-G011-0000	NUT M14×1	1
21	22121-G011-0000	END COVER, CLUTCH	1
22	B166740A06002270B	BOLT M6×22	4
23	92102-00000006000	BEARING (6000)	1

OIL PUMP PARTS



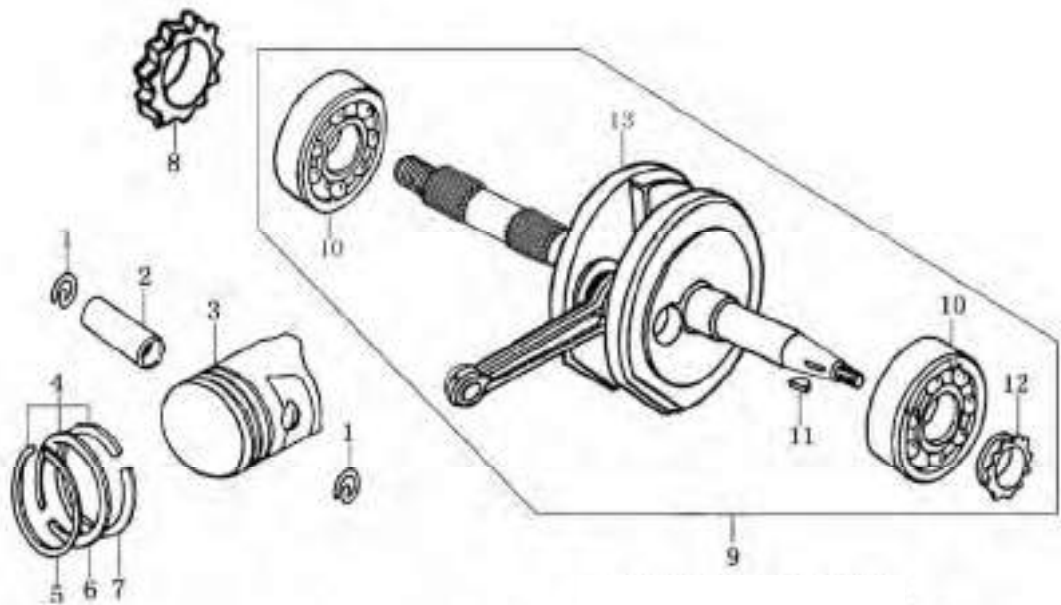
NO.	PART CODE	ENGLISH DESCRIPTION	QTY
1	14100-JE15-0000	OIL PUMP	1
2	B008230006003520B	SCREW M6×35	1
3	B008230006004020B	SCREW M6×40	2
4	B057820005001270B	BOLT M5×12	1
5	B0009300060000000	WASHER 6	1
6	14108-JE15-0000	COVER, OIL PUMP	1
7	14111-JE15-0000	INNER ROTOR, OIL PUMP	1
8	14112-JE15-0000	OUTER ROTOR, OIL PUMP	1
9	14110-JE15-0000	CASE, OIL PUMP	1
10	1410B-JE15-0000	GEAR, OIL PUMP	1
11	B0089600060000000	WASHER 5	1
12	B0011902025100000	PIN 2.5×10	1
13	91522-03001600000	PIN3.0×16	1
14	14107-JE15-0000	SHAFT, OIL PUMP	1
15	91521-08001200063	DOWEL PIN 8×12×6.3	2
16	1431B-D002-0000	ASSEMBLY, OIL FILTER SCREEN	1
17	90210-HZ31-0000	GASKET, OIL PUMP	1

CRANKCASE



NO.	PART CODE	ENGLISH DESCRIPTION	QTY
1	91102-JE15-0000	CYLINDER STUD BOLT B	2
2	91101-JE15-0000	CYLINDER STUD BOLT A	2
3	93301-71242020000	WASHER 12.5×1.5×20 (ALUMINIUM)	1
4	91103-I008-00000X	OIL DRAIN PLUG	1
5	91521-10001400000	DOWEL PIN 10×14	2
6	1222B-JE15-000089	ASSEMBLY, RIGHT CRANKCASE	1
7	90208-JE15-0000	GASKET, CRANKCASE	1
8	91405-D002-00000C	CLIP, BREATHER TUBE φ10	2
9	12130-G011-0102	BREATHER PIPE (1#)	1
10	1212B-JE15-000089	ASSEMBLY, LEFT CRANKCASE	1
11	B166740A06006070X	BOLT M6×60	2
12	11003-D002-00000X	CLIP, HIGH VOLTAGE WIRE	1
13	B166740A06005070X	BOLT M6×50	1
14	B166740A06006570X	BOLT M6×65	3
15	12108-D002-00000X	CLIP, OVERFLOW PIPE	1
16	19300-I038-0000	OIL COOLER COMP	1
17	93301-81251419000	WASHER 12.5×1.4×19	4
18	91107-I038-00010X	BLOT M12×1.25	2
19	91107-PE03-00000X	BLOT M8×23	2
20	93301-80821014000	WASHER 10×1×14	4
21	19303-JE15-0100	RETURN OF VITTA	1
22	19303-JE15-0200	ENTER OF VITTA	1
23	B166740A06008070X	BOLT M6×80	1

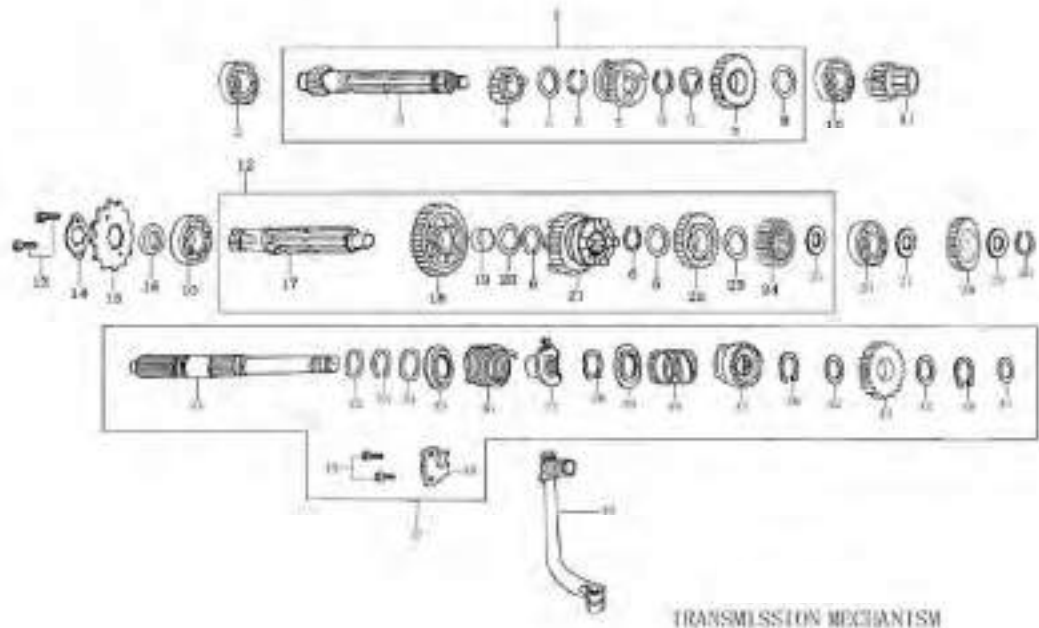
CRANKSHAFT/PISTON/CONNECTING ROD COMP



CRANKSHAFT/PISTON/CONNECTING ROD COMP

NO.	PART CODE	ENGLISH DESCRIPTION	QTY
1	91401-D002-0000	CIRCLIP, PISTON PIN	2
2	13102-JE15-0000	PIN, PISTON	1
3	13101-JE15-0000	PISTON	1
4	1310A-JE15-0000	ASSEMBLY, PISTON RING	1
5	13103-JE15-0000	PISTON RING (1ST)	1
6	13104-JE15-0000	PISTON RING (2ND)	1
7	13120-JE15-0000	ASSEMBLY, OIL RING	1
8	14101-IZ02-0000	DRIVE GEAR, OIL PUMP	1
9	1320B-JE15-0000	ASSEMBLY, CRANK SHAFT CONNECTING ROD	1
10	92102-00000562215	BEARING (TM-SC04A86/P5CS12 56×22×15)	2
11	91601-D002-0000	SEMICIRCULAR KEY 4×12.5	1
12	13222-JE15-0000	TIMING DRIVE SPROCKETT	1
13	13220-JE15-0000	CRANK SHAFT CONNECTING ROD	1

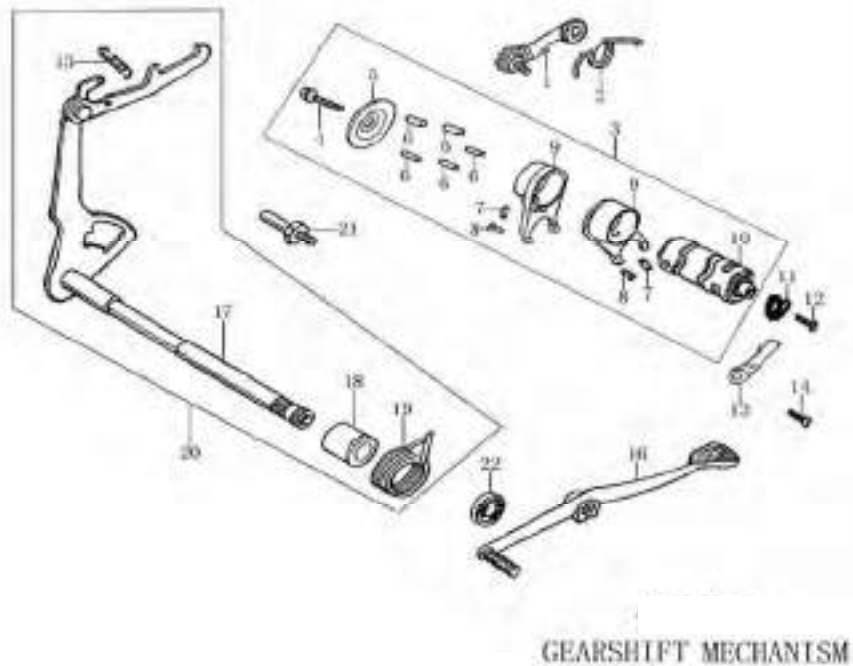
TRANSMISSION MECHANISM



NO.	PART CODE	ENGLISH DESCRIPTION	QTY
1	23220-JA16-0000	MAINSHAFT ASSEMBLY	1
2	92102-00000006001	BEARING (6001)	1
3	23221-JA16-0000	PIVOT, MAINSHAFT	1
4	23222-JA16-0002	MAINSHAFT 2ND SPEED GEAR	1
5	23223-D002-0000	SPLINE WASHER 15.5(17.2)×1.2×21	3
6	23226-D002-0000	CIRCLIP, MAINSHAFT GEAR	4
7	23222-JA16-0003	MAINSHAFT 3RD SPEED GEAR	1
8	23222-JA16-0004	MAINSHAFT 4TH SPEED GEAR	1
9	93301-61710526000	WASHER 17.1×0.5×26	1
10	92102-00000006203	BEARING (6203)	2
11	23233-IZ02-0000	STARTING GEAR	1
12	23240-JA16-0000	ASSEMBLY, COUNTERSHAFT	1
13	B057830006001070B	BOLT M6×10	2
14	23402-D002-0000	LOCATING PLATE	1
15	23401-G011-0008	DRIVE SPROCKET (428.15)	1
16	90303-D002-0000	OIL SEAL 17×29×5	1
17	23241-JA16-0000	PIVOT, COUNTERSHAFT	1
18	23242-D002-0001	COUNTERSHAFT 1ST SPEED GEAR	1
19	23247-D002-0000	SLEEVE, COUNTERSHAFT GEAR 20×19	1
20	23223-D002-0002	SPLINE WASHER15.5(17.2)×1.2×23	1
21	23242-D002-0002	COUNTERSHAFT 2ND SPEED GEAR	1
22	23242-JA16-0003	COUNTERSHAFT 3RD SPEED GEAR	1
23	93301-51721026000	CIRCLIP 17.2×1.0×26	1

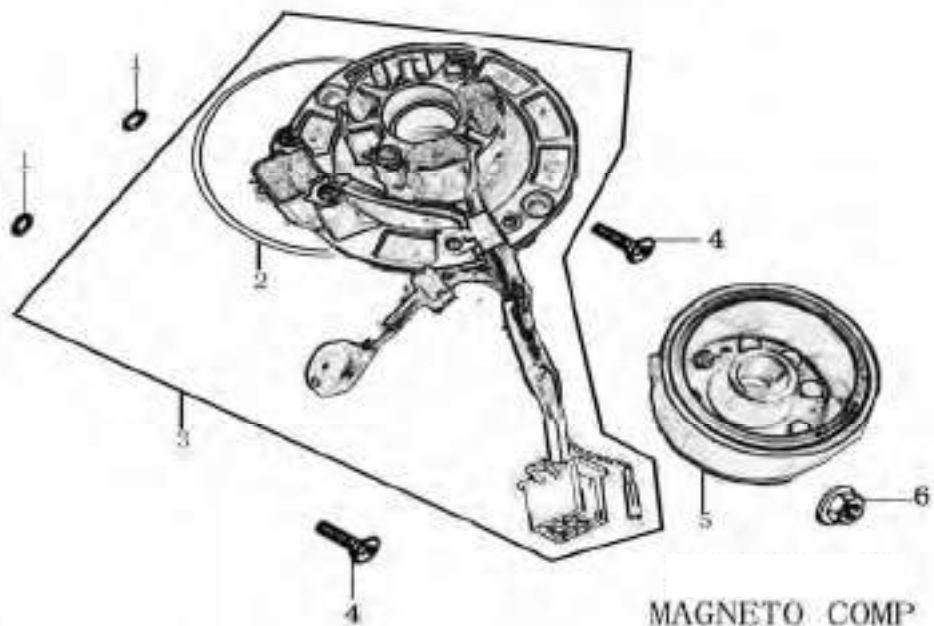
24	23242-JA16-0004	COUNTERSHAFT 4TH SPEED GEAR	1
25	93301-5152052300C	WASHER 15.2×0.5×23	1
26	92102-00000006002	BEARING (6002)(SKF)	1
27	93301-5152152500N	WASHER 15.2×1.5×25	1
28	23248-IZ02-0000	IDLE GEAR, COUNTERSHAFT STARTING	1
29	93301-61521025000	WASHER 15.2×1×25	1
30	B0089401150000000	CIRCLIP 15	1
31	21107-IZ02-0000	PIVOT, KICK STARTING SHAFT	1
32	93301-61410522000	WASHER 14.1×0.5×22	1
33	91402-D002-0000	CHECK RING ϕ 15.5×1.2× ϕ 19	1
34	93301-61721024000	WASHER 17.2×1×24	1
35	21104-IZ02-0000	SEAT, SPRING, KICK STARTING SHAFT	1
36	21106-IZ02-0000	RETURN SPRING, KICK STARTING SHAFT	1
37	21104-D002-0000	ASSEMBLY, COUNTERSHAFT	1
38	91402-D002-0100	CIRCLIP ϕ 18.5×1.2× ϕ 22.1	3
39	21122-D002-0000	SEAT, RATCHET WHEEL	1
40	21119-D002-0000	SPRING, KICK STARTING RATCHET WHEEL	1
41	21118-IZ02-0000	RATCHET WHEEL, KICK STARTER	1
42	93301-62011027000	WASHER 20.1×1×27	2
43	21117-IZ02-0000	GEAR, KICK STARTER	1
44	93301-61411022000	WASHER 14.1×1×22	1
45	B057830006001870B	BOLT M6×18	2
46	21123-IZ02-0000	GUIDE PLATE, RATCHET WHEEL	1
47	21100-IZ02-0000	KICK STARTING SHAFT ASSEMBLY	1
48	21200-F004-0001	KICK STARTING SHAFT	1

GEARSHIFT MECHANISM



NO.	PART CODE	ENGLISH DESCRIPTION	QTY
1	2434A-H032-0000	LOCATING PLATE UNIT	1
2	24304-G011-0000	SPRING, LOCATING PLATE	1
3	24200-JE15-0000	ASSEMBLY, GEARSHIFT DRUM	1
4	B008200006002020B	BOLT M6×20	1
5	24212-D002-0000	STOPPING PLATE	1
6	91522-04001300000	PIN, GEARSHIFT DRUM 4×13	5
7	24102-D002-0000	GUIDE PIN	2
8	24103-D002-0000	CLIP, SPRING	2
9	24101-D002-0000	GEARSHIFT FORK	2
10	24213-JE15-0000	GEARSHIFT DRUM	1
11	88004-G011-0000	CONTACT, GEAR INDICATION	1
12	91149-G011-00000C	SCREW	1
13	88002-G011-0001	GEARSHIFT SWITCH PRESSING PLATE	1
14	B008230006001220B	SCREW M6×12	1
15	24318-D002-0000	SPRING, GEARSHIFT LEVER TENSION	1
16	24400-F004-0004	ASSEMBLY, GEARSHIFT PEDAL (BT-4)	1
17	24301-D002-0100	GEARSHIFT SHAFT	1
18	24320-D002-0000	BUSH	1
19	24302-D002-0000	RETURN SPRING, GEARSHIFT LEVER	1
20	24300-D002-0100	ASSEMBLY, GEARSHIFT LEVER	1
21	91117-D002-0000	BOLT M8×11	1
22	90301-D002-0000	OIL SEAL 11.6×24×10	1

MAGNETO COMP



NO.	PART CODE	ENGLISH DESCRIPTION	QTY
1	90101-10065000180	O-RING 6.5×1.8	2
2	90101-21068000200	O-RING 106.8×2	1
3	82120-IZ27-000145	STATOR ASSEMBLY, MAGNETO	1
4	B008190106001620B	SCREW M6×16	2
5	82130-IZ27-0100	ROTOR ASSEMBLY, MAGNETO	1
6	91213-D002-00000X	NUT	1