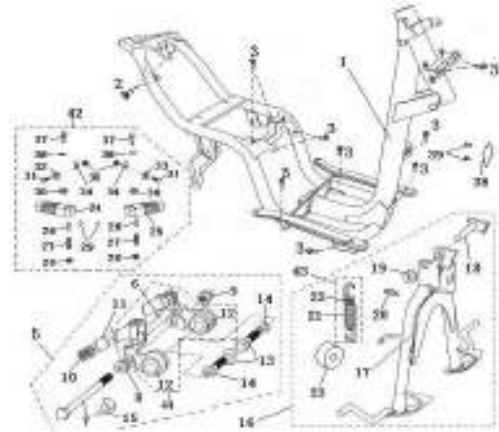


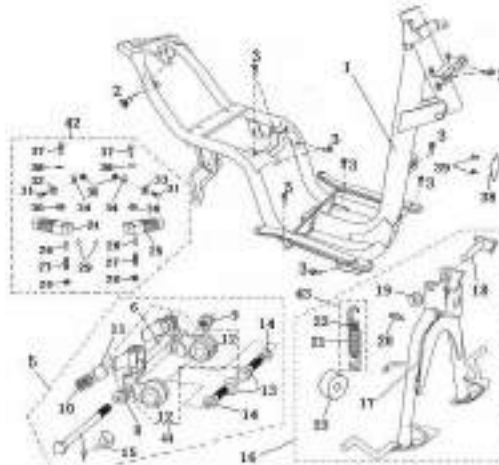
FRAM

NO	CODE	DESCRIPTION	QTY.	NOTE
1	57100B460002	JOINTING ASSY., FRAME	1	DOT
2	B13060601605	BOLT M6X16	2	
3	B01070601665	BOLT 6X16	11	
5	58300B450000	E/G HANGER ASSY	1	
6	58320B450000	E/G HANGER COMP.	1	
7	58303B450000	(E/G HANGER) BOLT	1	
8	B07200001205	WASHER 12	1	
9	B04161212555	NUT 6MM (GREEN)	1	
10	58344B920000	SPRING	2	
11	58342B920000	CUSHION	2	
12	58350B920000	SPACER ASSY	2	
13	58301B920000	BOLT 10X1.25X41	2	
14	B04171012555	NUT M10X1.25	2	
15	58302B450000	rubber cushion	2	
16	58500B450001	MAIN STAND ASSY.	1	
17	58520B450001	MAIN STAND COMP.	1	
18	58501B450000	AXLE , MAIN STAND	1	
19	B07030001005	WASHER 10	1	
20	63016B070000	PIN cotter 1.2X22	1	



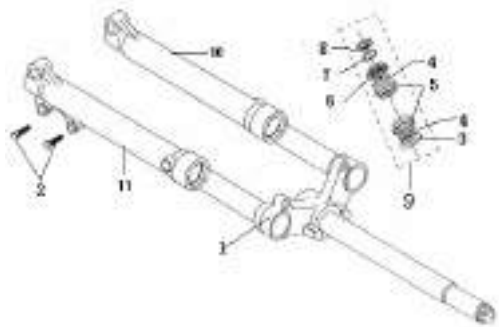
FRAM

NO	CODE	DESCRIPTION	QTY.	NOTE
21	58512B920000	MIAN STAND SPRING.OUT	1	
22	58502B920000	MIAN STAND SPRING.IN	1	
23	58538T030000	CUSHION, MAIN STAND	1	
24	58265B460000	REAR FOOTREST,LEFT	1	
25	58285B460000	REAR FOOTREST,RIGHT	1	
26	63922B460000	SPACER	2	
27	58262B460000	SPRING	2	
28	B04170600055	NUT M6	2	
29	B06010110000	STEEL BALL ϕ 3.969	2	
30	57208B460000	STOPPER	2	
31	08019B460000	BOLT M10X1.25X28	2	
32	58200B460000	SEAT,LEFT	1	
33	58400B460000	SEAT,RIGHT	1	
34	53139B460000	PLATE	2	
35	B04171012555	NUT M10X1.25	2	
36	B07030000605	WASHER 6	2	
37	B02180604065	SCREW M6X40	2	
38	57001B450001	FRAME BODY NO.PLATE	1	DOT
39	B10000300600	RIVET 3X6	2	
42	58260B460000	REAR FOOTREST ASSY	1	
43	58510B920000	MIAN STAND SPRING.ASSY	1	
44	58301B45002Z	E/G HANGER ASSY	1	



FRONT FORK

NO	CODE	DESCRIPTION	QTY.	NOTE
1	43000B450000	JOINTING ASSY.,FRONT FORK	1	
2	B01070803065	BOLT M8X30	2	
3	43004B450000	BALL RACE	1	
4	43130B450000	STEEL BALL ASSY	2	
5	43002B450000	BALL RACE	2	
6	43001B450000	BALL RACE	1	
7	43007B450000	WASHER	1	
8	43008B450000	NUT	1	
9	43010B450000	BALL RACE ASSY.	1	
10	43300B45001Z		1	
11	43200B45001Z		1	



REAR SHOCK ABSORBER ASSY.

NO	CODE	DESCRIPTION	QTY.	NOTE
1	63800B450000	RR. ABSORBER COMP.,	1	

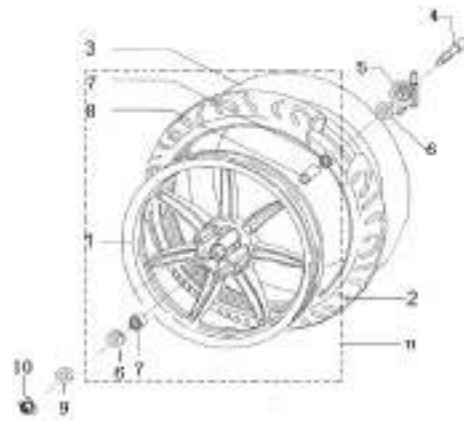


2	B07020001005	WASHER	2	
3	B04171012555	NUT M10X1.25	1	
4	63015T020000	BOLT M8X31	1	



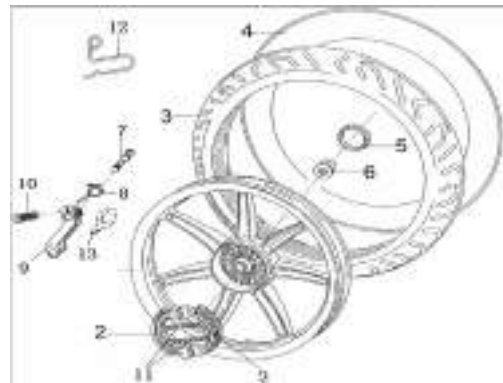
FRONT WHEEL

NO	CODE	DESCRIPTION	QTY.	NOTE
1	44100B450000	FRONT WHELL	1	DOT
2	B140125016AC	TIRE , FRONT 2 (1/2) X16	1	
3	B140225016AC	TUBE , INNER , FRONT	1	
4	44004B450000	AXIL,front wheel	1	
5	44200B450000	SEAT , GEAR	1	
6	44300B450000	OIL SEAL , front wheel	2	
7	B12016020100	BEARING 6201-2RS	2	
8	44006B450000	MID SPACER , front wheel	1	
9	44005B450000	SPACER	1	
10	B04171212554	NUT M12X1.25	1	
11	44102B45001Z		1	



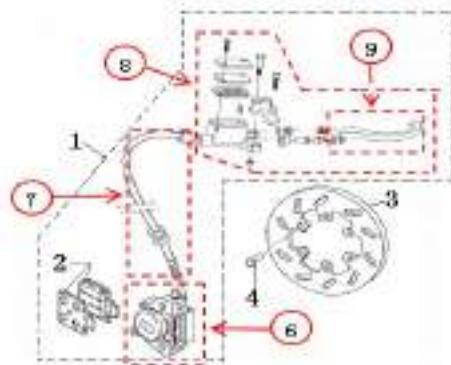
REAR WHEEL

NO	CODE	DESCRIPTION	QTY.	NOTE
1	54100B450000	REAR WHEEL	1	DOT
2	54200B920000	SHOE , BRAKE , REAR	2	
3	B140127516AC	TIRE , REAR2 (3/4) -16	1	
4	B140227516AC	TUBE , INNER , REAR	1	
5	54027B910000	AXLE CAP , REAR	1	
6	B04171615055	NUT M16X1.5	1	
7	54003B920000	AXLE , BRAKE	1	
8	54008B920000	RETURN SPRING	1	
9	54120B450010	BRAKE ARM ASSY , REAR	1	
10	08012B910000	BOLT M6X30	1	
11	54001B920000	SPRING	2	
12	40022B070000	CLIP	1	
13	54002B910000	brake wear indicator	1	



DISC BRAKE ASSY.

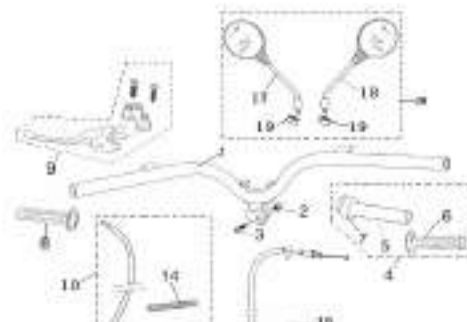
NO	CODE	DESCRIPTION	QTY.	NOTE
1	45000B460002	DISK BRAKE ASSY	1	DOT
2	45120T090000	PLATE,FRICTION ASSY	2	
3	45033B450000	DISK,FRONT BRAKE	1	
4	B02180602068	SCREW M6x20	6	
6	45500B450000	Formt Brake caliper	1	
7	45200B460000	Front brake hose	1	DOT
8	45400B460000	Lever front brake	1	
9	40094B450000	Front Pump Brake	1	



操纵

STEERING

NO	CODE	DESCRIPTION	QTY.	NOTE
1	40100B460000	HANDLE BAR	1	
2	B04171012555	NUT M10X1.25	1	
3	B01591004565	BOLT M10X1.25X45	1	
4	40210B460001	RIGHT GRIP COMP	1	DOT
5	40211B460000	TUBE,RIGHT GRIP	1	
6	40212B450001	GRIP,RIGHT	1	DOT
7	40220B460000	SEAT,THROTTLE	1	
8	40001B450001	GRIP,LEFT	1	DOT
9	40080B460001	BRACKET,HANDLEBER	1	
10	40270B450000	CABLE ASSY,REAR BRAKE	1	
12	40273B450000	PIN	1	

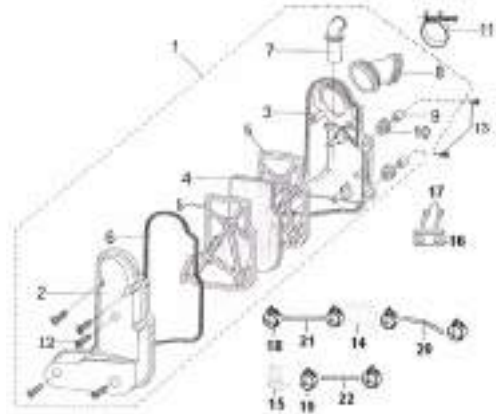


13	40271B450000	NUT ADJUSTING	1	
14	40274B450000	SPRING,REAR BRAKE	1	
15	40300B460000	CABLE,THROTTLE	1	
17	40460B460000	BACK MIRROR ASSY., LH.	1	
18	40470B460000	BACK MIRROR ASSY., RH.	1	
19	65763B460000	SPACER,BACK MIRROR ASSY	2	
20	40440b460000	BACK MIRROR ASSY	1	



AIR CLEANER

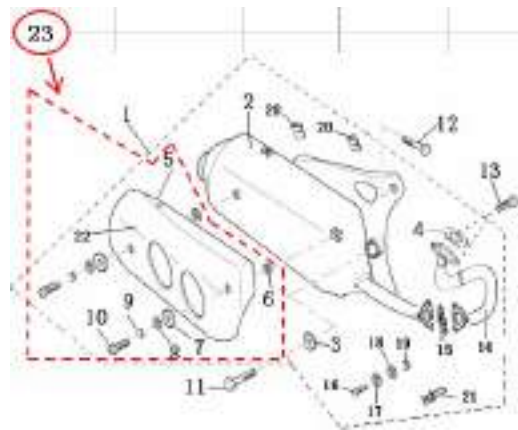
NO	CODE	DESCRIPTION	QTY.	NOTE
1	49000B450000	AIR CLEANER	1	
2	49401B450000	COVER, UPPER	1	
3	49402B450000	COVER, LOWER	1	
4	49202B450000	FILTER	1	
5	49205B450000	MAIN STAND , AIR CLEANER	2	
6	49013B450000	SEAL RING	1	
7	49002B450000	GUIDE PIPE	1	
8	49005B450000	CONNECTING PIPE	1	
9	49004B450000	SPACER	2	
10	49022B450000	SPACER , RUBBER	2	
11	49350J040000	CLIP 44-48	1	
12	B05074501605	SCREW ST4.8X16	5	
13	B01090602065	BOLT M6X20	2	
14	49870B140000	SMALL AIR CLEANER	1	DOT
15	49840W110000	MONOMIAL	1	DOT
16	57051B140000	PLATE	1	DOT
17	B01090601265	BOLT M6X12	2	DOT
18	49805N050000	CLIP φ17.5	4	DOT
19	49855W110000	CLIP φ16.5	2	DOT
20	B160113B0651	PIPE1 13X18X65	1	DOT
21	B160113B0951	PIPE2 13X18X95	1	DOT
22	49851B450000	PIPE 9X17X175	1	DOT



MUFFLER

NO	CODE	DESCRIPTION	QTY.	NOTE
1	47000B450003	MUFFLER ASSY	1	DOT
2	47100B450003	JOINTING ASSY , MUFFLER	1	DOT
3	47740B020000	BUFFER ,ENGINE BRACKET	1	
4	47800B070000	GASKET	1	
5	47023B450000	PROTECTOR,MUFFLER	1	
6	47767B450000	SPACER	3	
7	47766B450000	SPACER	3	
8	57039S010000	SPACER , RUBBER	3	
9	58307B450000	SPACER	3	
10	B0200060202A	SCREW M6X20	3	
11	B01070803065	BOLT M8X30	1	
12	B01070802065	BOLT M8X20	1	
13	B01090601665	BOLT M8X16	2	
14	47500B450003	EXHAUST PIPE COMP.	1	DOT
15	47490B920000	EXHAUST PIPE GASKET	1	
16	B02050602565	SCREW M6X25	2	
17	B07030000605	WASHER 6	2	
18	B07000000605	SPRING WASHER 6	2	
19	B04000600055	NUT 6	2	
20	08051T020003	NUT 6	2	
21	08001B920000	BOLT M6X25	1	
22	47760B450000	PROTECTOR,MUFFLER , ASSY	1	
23	47760B45001Z	Exhaust kit cover	1	

注：消音器装饰盖组件由消音器扣套 1、消音器扣套II和消音器装饰盖组成

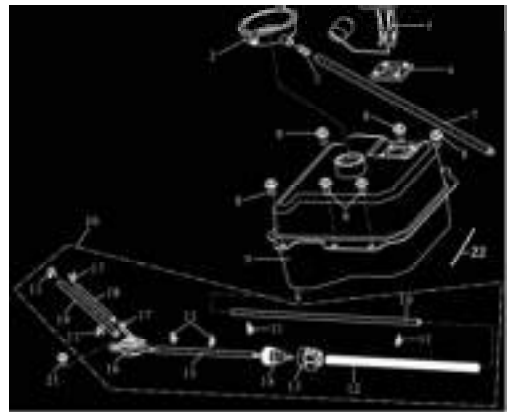


FUEL TANK

NO	CODE	DESCRIPTION	QTY.	NOTE
1	50200G220000	CAP ASSY, FUEL TANK	1	DOT
2	50011B400000	TARPAULIN	1	DOT

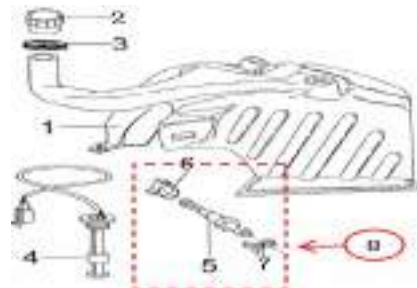


3	50013G220000	HOSE	1	DOT
4	B13010501405	BOLT M5X14	4	DOT
5	50800B400000	GAUGE ASSY, FUEL LEVEL	1	DOT
6	50004B91000	GASKET	1	DOT
7	50012G220000	HOSE, FUEL	1	DOT
8	B01090601665	Nut	6	DOT
9	50100B400000	FUEL TANK	1	DOT
10	50302b450001	HOSE, FUEL Φ 5X10X120	1	DOT
11	B17010090003	CLIP 9	6	DOT
12	50316B310000	SPRING250	1	DOT
13	50391T020000	STRAINER COMP ASSY	1	DOT
14	50340T020000	JACKET, STRAINER COMP	1	DOT
15	50305B460001	HOSE, FUEL Φ 5X10X285	1	DOT
16	50320B310000	COCK ASSY,FUEL	1	DOT
17	B17010075003	CLIP	2	DOT
18	50306B460001	HOSE, FUEL Φ 4X8X160	1	DOT
19	50307B460001	HOSE, FUEL Φ 5X10X165	1	DOT
20	50300B310000	SWITCH ASSY,FUEL TANK	1	DOT
21	B01090601065	BOLT M6X10	1	DOT
22	96003K010000	BAND 7*200MM	2	DOT



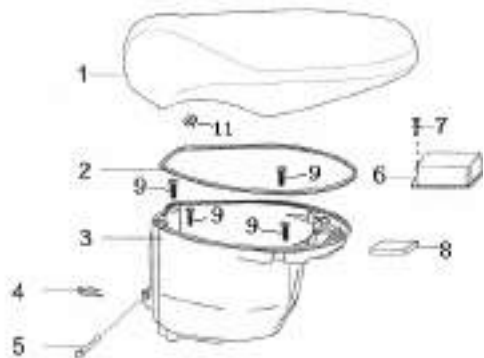
OIL TANK ASSY.

NO	CODE	DESCRIPTION	QTY.	NOTE
1	64020B450000	OIL TANK ASSY	1	
2	64091B450000	CAP , OIL TANK	1	
3	64012B450000	SEAL RING , OIL TANK	1	
4	64100B450001	GAUGE ASSY, OIL LEVEL	1	
5	64050B450000	JOINT LOWER , OIL LEVEL	1	
6	225234001000	CLIP Φ 19	1	
7	B17010080003	CLIP 8	1	
8	64060B450000	KitJOINT LOWER,OIL LEVEL	1	



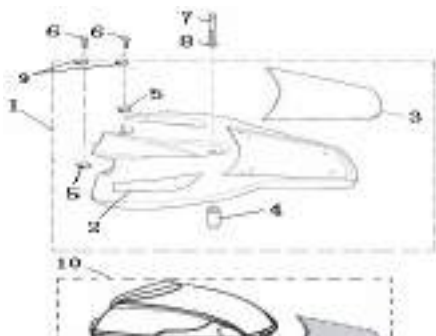
SEAT

NO	CODE	DESCRIPTION	QTY.	NOTE
1	51100B460000	SEAT ASSY	1	
2	51012B450001	TAPE SET	1	
3	51004B460001	HELMET BOX	1	DOT
4	B09002501613	PIN,COTTER	1	
5	51001B460000	PIN	1	
6	51003B460001	CAP,BATTERY	1	DOT
7	B05074001205	SCREW ST4X12	2	
8	51007B460001	RUBBER BYFFER,UP	2	DOT
9	B05074201605	SCREW ST4.2X16	4	
11	B07030000505	WASHER 5	4	



REAR SWINGING ARM

NO	CODE	DESCRIPTION	QTY.	NOTE
1	52000B460000	LUGGAGE CARRIER ASSY	1	
2	52002B460000	REAR CARRIER	1	
2	52002B460HK0	REAR CARRIER	1	
3	52003B460000	DECORATIVE , COVER	1	
4	52009B460000	SPACER1	1	
5	52009B450000	SPACER II	2	
6	52018B460000	SCREW M6X25	2	
7	B02050605564	BOLT M6X55	1	
8	B07030000605	WASHER 6	1	
9	08027B910000	PLASTIC WASHER	2	
10	52200B450001	BACK BOX	1	

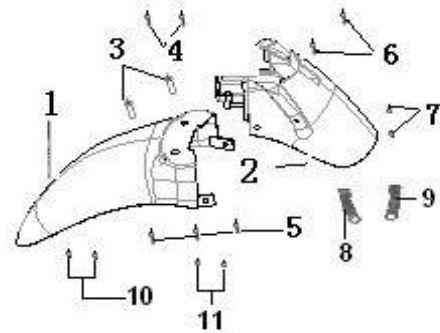


10	52200B450021	BACK BOX (BLACK)	1	DOT
10	52200B450031	BACK BOX (GREY)	1	DOT
10	52200B450041	BACK BOX	1	DOT
10	52200B450051□	BACK BOX	1	DOT
11	52225B450000	PLATE	1	
12	52910B460000	BACK BOX FITTINGS	1	



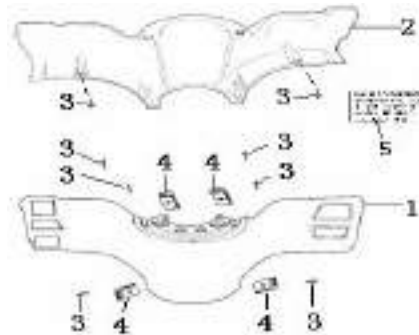
FRONT FENDER ASSY.

NO	CODE	DESCRIPTION	QTY.	NOTE
1	65101B450001	FENDER,FRONT	1	
1	65101B45R701	FENDER,FRONT	1	DOT
1	65101B45LU01	FENDER,FRONT	1	DOT
1	65101B45G101	FENDER,FRONT	1	DOT
1	65101B45CD01	FENDER,FRONT	1	DOT
2	65106B450000	FENDER,BACK	1	
3	47128B450000	SPACER	2	
4	B02000601625	SCREW M6X16	2	
5	B01090603065	BOLT M6X30	3	
6	B13060602005	BOLT M6X20	2	
7	B04000600055	NUT M6	2	
8	65180B450000		1	
9	65190B450000		1	
10	B07030000605	WASHER 6	2	
11	B07000000605	SPRING WASHER 6	2	



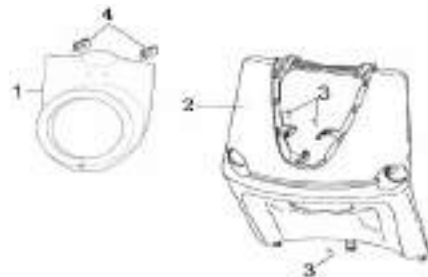
HANDLE COVER

NO	CODE	DESCRIPTION	QTY.	NOTE
1	65202B460000	HANDLE COVER , REAR	1	
2	65201B460001	HANDLE COVER , FRONT	1	DOT
2	65201B46BX01	HANDLE COVER , FRONT	1	DOT
3	B05074201605	SCREW ST4.2X16	8	
4	65802B310000	SPRING NUT 4.2	4	
5	05597B450000	WARNING STICK	1	DOT



FRONT COVER ASSY.

NO	CODE	DESCRIPTION	QTY.	NOTE
1	65303B450001	FACE,FR.COVER PLAQUE	1	
1	65303B45BX01	FACE,FR.COVER PLAQUE	1	DOT
2	65301B450000	FACEPLATE	1	
2	65301B450R70	FACEPLATE	1	DOT
2	65301B450LU0	FACEPLATE	1	DOT
2	65301B450G10	FACEPLATE	1	DOT
2	65301B450CD0	FACEPLATE	1	DOT
3	47128B450000	SPACER	3	
4	65802B310000	SPRING NUT 4.2	2	

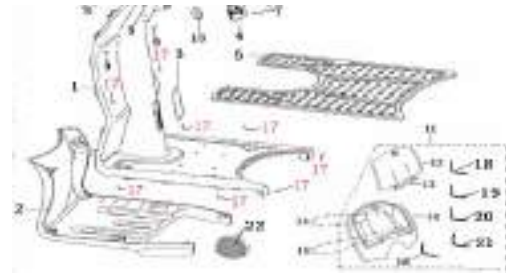


LEG SHIELD ASSY.

NO	CODE	DESCRIPTION	QTY.	NOTE
1	65401B450000	FOOTREST	1	
2	65406B450000	COVER LOWER	1	



3	65403B450000	INSPECT COVER	1	
4	65340B450000	POTHOOK , HELMET	1	
5	65413B450000	HOOF FEET CUSHION	1	
6	B04070600055	NUT M6	2	
7	B02000601225	SCREW M6X12	2	
8	B05074201605	SCREW ST4.2X16	2	
9	B05074201305	SCREW ST4.2X13	4	
10	50001B450000	SEAL RING , FULE TANK	1	
11	65320B450001	FRONT LUGGAGE BOX ASSY	1	
11	65320B45BX01	FRONT LUGGAGE BOX ASSY	1	DOT
12	65321B450000	CAP,FRONT LUGGAGE BOX	1	
12	65321B45BX00	CAP,FRONT LUGGAGE BOX	1	
13	65331B450000	POTHOOK,FRONT LUGGAGE BOX	1	
14	65322B450001	FRONT LUGGAGE BOX	1	
14	65322B45BX01	FRONT LUGGAGE BOX	1	
15	B05004801605	SCREW ST4.8X16	4	
16	65361B450000	SEAL RING 3X6x700	1	
17	B05074201905	SCREW ST4.2X19	8	



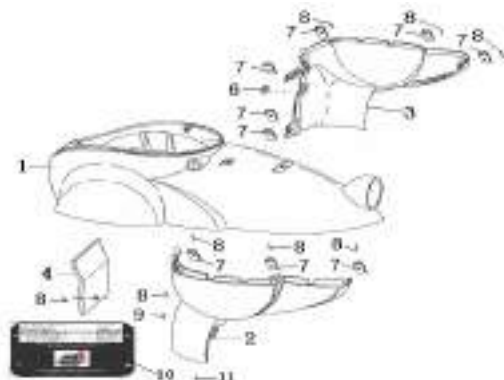
LEG SHIELD ASSY.

NO	CODE	DESCRIPTION	QTY.	NOTE
18	65326B450000	bundle 1	2	
19	65327B450000	bundle 2	1	
20	65328B450000	bundle 3	1	
21	65329B450000	bundle 4	1	
22	86300B450000	SIDE REFLEX REFLECTOR	2	DOT



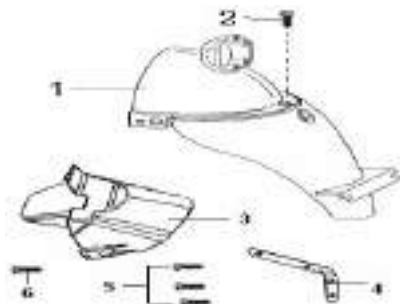
FRAME COVER

NO	CODE	DESCRIPTION	QTY.	NOTE
1	65606B450000	BACK BREAST BOARD	1	
1	65606B45R700	BACK BREAST BOARD	1	DOT
1	65606B45LU00	BACK BREAST BOARD	1	DOT
1	65606B45G100	BACK BREAST BOARD	1	DOT
1	65606B45CD00	BACK BREAST BOARD	1	DOT
2	65601B450000	LEFT BREAST BOARD	1	
3	65602B450000	RIGHT BREAST BOARD	1	
4	65605B460001	COVER MIDDER	1	DOT
6	47128B450000	SPACER	2	
7	65802B310000	SPRING NUT 4.2	9	
8	B05074201605	SCREW ST4.2X16	7	
9	B05074201305	SCREW ST4.2X13	2	
10	05568B450001	PLATE	1	DOT
11	B05074001005	SCREW ST4.0X10	4	DOT



REAR FENDER

NO	CODE	DESCRIPTION	QTY.	NOTE
1	65701B450001	FENDER , REAR	1	
1	65701B45BN01	FENDER , REAR	1	DOT
2	B05074201305	SCREW ST4.2X13	1	
3	65761B450000	FENDER , REAR	1	
4	65770B450000	PALATE ASSY	1	
5	B01090601265	BOLT M6x12	3	
6	B01090601665	BOLT M6x16	2	

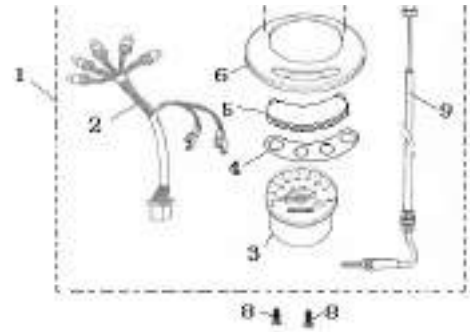


SPEEDOMETER ASSY.

NO	CODE	DESCRIPTION	QTY.	NOTE
1	70000B460001	SPEEDOMETER ASSY.	1	
2	75000B460000	WIRING ASSY, SPEEDOMETER	1	2W

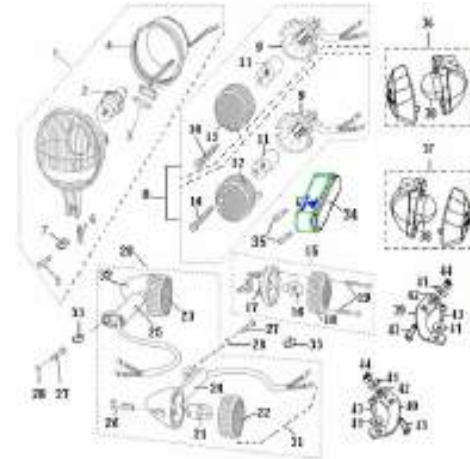


3	70100B460001	SPEEDOMETER .	1	DOT
4	77005B450000	COVER,INDICTOR	1	
4	77005B46CA00	COVER,INDICTOR		DOT
5	77006B460000	CAP,INDICTOR	1	透明
6	65483B460000	COVER,SPEEDOMETER	1	哑光银
6	65483B46CA00	COVER,SPEEDOMETER		DOT
7	70084B460000	SCREW ST4.2X25	2	
8	B05075001005	SCREW ST5X9.5	2	
9	72900B460000	#REF!	1	



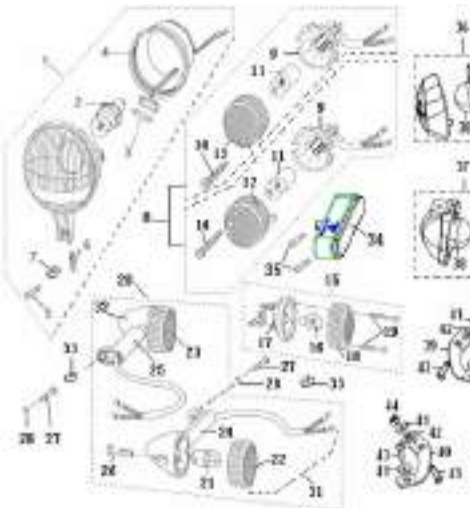
ELECTRIC I

NO	CODE	DESCRIPTION	QTY.	NOTE
1	80000B420000	HEADLIGHT	1	DOT
2	80002B450000	HEADLIGHT BULB 35W/35W	1	
4	80013B450000	COVER,HEADLIGHT	1	
5	B02000404555	SCREW ADJUST M4X55	1	
6	80001B450000	SPRING	1	
7	80037B450000	WASHER 6	1	
8	80900B460001	FRONT position LIGHT	2	
9	80907B460001	SEAT,F.L position LIGHT	2	
11	B24013120000	FRONT position LIGHT BULB 5W	2	
12	80916B460001	COVER,F.L position	2	
14	80080B450000	SCREW ST3.5X32	2	
15	82000B450002	TAIL LIGHT	1	DOT
16	82005B450000	TAIL LIGHT BULB 21W/5W	1	
17	82004B450000	SEAT,TAIL LIGHT	1	
18	82008B450000	COVER,TAIL LIGHT	1	
19	B05003005003	SCREW ST3X50	2	
20	81400B450000	REAR TURN LIGHT	1	



ELECTRIC I

NO	CODE	DESCRIPTION	QTY.	NOTE
21	81401B450000	REAR TURN LIGHT BULB	2	
22	81502B450000	COVER,R.L TURN LIGHT	1	
23	81702B450000	COVER,R.R TURN LIGHT	1	
24	81520B450000	SEAT,R.L TURN LIGHT	1	
25	81720B450000	SEAT,R.R TURN LIGHT	1	
26	B05003503203	SCREW ST3.5X32	2	
27	B02050602565	SCREW M6X25	2	
28	B04070600055	NUT M6	2	
31	81500B450001	TURN SIGNAL LAMP ASSY,R,L	1	DOT
32	81700B450001	TURN SIGNAL LAMP ASSY,R,R	1	DOT
33	B07030000605	WASHER 6	2	
34	82500B450000		1	DOT
35	B05004201305	SCREW ST 4.2X13	2	DOT
36	81300B910002	TURN SIGNAL LAMP ASSY,F,L	1	DOT
37	81100B910002	TURN SIGNAL LAMP ASSY,F,R	1	DOT
38	81501H150000	BULB, 12V/10W	2	DOT
39	65221B460001	PLATE LEFT	1	DOT
40	65231B460001	PLATE RIGHT	1	DOT
41	B07020000505	WASHER 6	4	DOT
42	65782B910000	RUBBER WASHER	2	DOT
43	B02000501425	SCREW M5X14	2	DOT
44	B04000500005	NUT M5	2	DOT



ELECTRIC II

NO	CODE	DESCRIPTION	QTY.	NOTE
1	88000B450003	LOCK COMP	1	DOT
2	88100B450001	LOCK ASSY,STEERING	1	
3	88101B450001	CAP , LOCK ASSY,STEERING	1	DOT
4	88800B450000	SEAT LOCK	1	
5	88120B460001	MIDDLE	1	DOT
6	08012B450000	BOLT M6	2	



7	08001N140000	SCREW M6X18	2	
8	92000B460001	HARNESS,wiring	1	DOT
9	45300B450002	SWITCH ,ASSY	2	
10	94000B450001	RELAY ASSY,starting motor	1	
11	96100B450000	BATTERY 12V4Ah YT4L-BS	1	
13	97701B910001	CDI UNIT	1	
14	95000B450000	HORN ASSY E4 000066	1	1.5A18W
15	98801B09F000	RECTIFIER	1	
16	96200B450000	COIL ASSY,ignition	1	
17	96400K010001	FLASHING AMBER	1	
18	86400K310000	SIDE REFLEX REFLECTOR	2	DOT
20	08200B450001	STAND , LICENSE PLATE	1	DOT



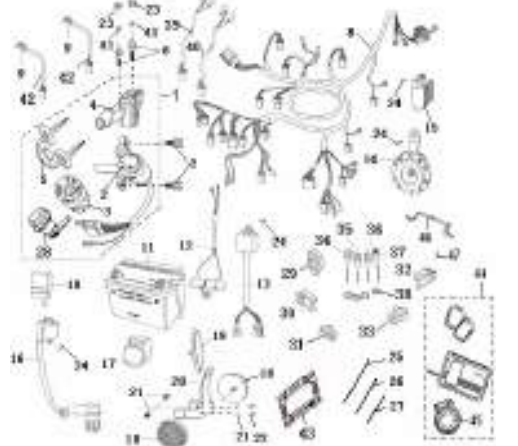
ELECTRIC II

NO	CODE	DESCRIPTION	QTY.	NOTE
21	B04070500055	NUT M5	4	
22	B01090501665	BOLT M5X16	2	
23	B04070600055	NUT M6	2	
24	B01070601665	BOLT M6X16	6	
25	96003J000000	BAND 1	2	
26	96002J000000	BAND 2	3	
27	96001B450000	BAND 3	1	
28	88200B450000	LOCK,FRONT LUGGAGE BOX	1	
29	91300B460000	SWITCH	1	
30	91200B460000	SWITCH,TURN LIGHT	1	
31	91100B460000	SWITCH HORN	1	
32	91170B460000	SWITCH	1	DOT
33	91400B460000	SWITCH,STARUP	1	
34	77001B460000	INDICTOR	1	
35	77002B460000	INDICTOR	1	
36	77003B460000	OIL INDICTOR	1	
37	77004B460000	FULE INDICTOR	1	
38	B08010001401	RING Φ14	4	
39	92100B460000	SWITCH WRING,LEFT GRIP	1	
40	70150B460001	SWITCH WRING,RIGHT GRIP	1	DOT
41	B07030000805	WASHER 8	2	
42	45340B450002	HARNESS	1	DOT
43	08205B450001	LICENSE PLATE	1	DOT



ELECTRIC II

NO	CODE	DESCRIPTION	QTY.	NOTE
44	95500B460000	ALARM ASSY.	1	DOT
45	95730B920002	ALARM SYSTEM HORN	1	DOT
46	95701T180000	BAKT ALARMSYSTEM	1	DOT
47	B01090601265	BOLT 6×12MM	2	DOT



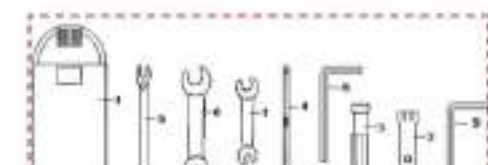
STICKER

NO	CODE	DESCRIPTION	QTY.	NOTE
1	05501B450002	STICKER	2	DOT
2	05521B450000	"BENELLI" BRAND	2	
3	05521K310000	PSF STICKER	1	DOT

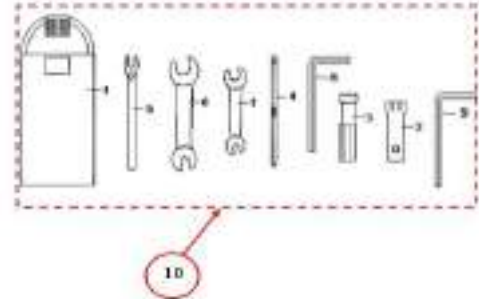


TOOL KIT

NO	CODE	DESCRIPTION	QTY.	NOTE
1	02110G130000	BAG, TOOL KIT	1	
2	02101B030000	SOCKET, SPARK PLUG	1	
3	02104G130000	HANDLE, SCREW DRIVER	1	
4	02103G130000	DRIVER, DOUBLE-ENDED	1	
5	02108G130000	WRENCH	1	
6	B20011301600	WRENCH, DOUBLE-ENDED	1	

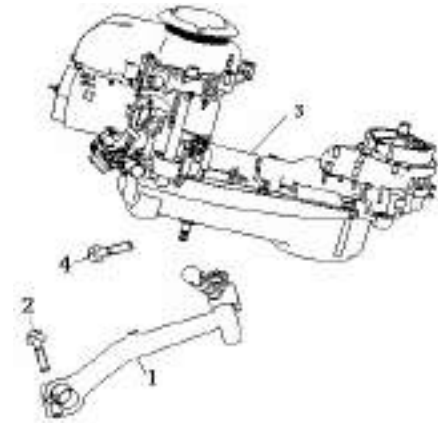


7	B20011001200	WRENCH, DOUBLE-ENDED	1	
8	B20020500000	SOCKET SPANNER	1	
9	B20020400000	SOCKET SPANNER	1	
10	02100B450000	Kit tools	1	



ENGINE ATTACHMENT

NO	CODE	DESCRIPTION	QTY.	NOTE
1	08350B040000	KICK STARTER	1	
2	B02030602565	BOLT 6X25MM	1	
3	10000B450000	MOTOR(QJ1E40QMB-4)	1	
4	B01070602564	BOLT 6X25MM	1	
5	B02000500843	M6X10 GB/T 818	1	
6	B07000000503	GB/T 93	1	



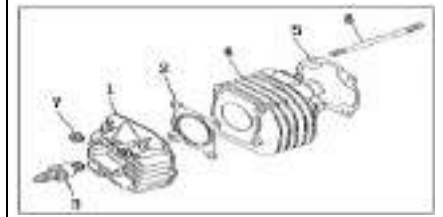
OTHER

NO	CODE	DESCRIPTION	QTY.	NOTE
1	02401B450030	USE AND MAINTENANCE	1	DOT
2	05000B920000	OIL STICKER	1	
3	02421K310000	WARRANTY BOOKLET	1	DOT
4	05532B450001	STICK1,NOISE	1	DOT
5	05531B450001	STICK2,NOISE	1	DOT
6	05535K310000	STICK,WARNING	1	DOT
7	05581B450001	STICK,TYRE	1	DOT
8	05594B450001	STICK,PRODUCE	1	DOT
9	02430K310000	PACKER	1	DOT



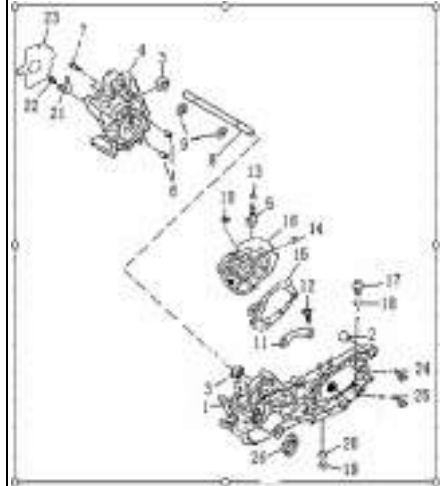
1 CYLINDER HEAD ASSY

NO	CODE	DESCRIPTION	QTY.
1	30701B01F00A	HEAD , CYLINDER	1
2	30507B01F000	GASKET , CYLINDER HEAD	1
3	201204.006000	SPARK PLUG	1
4	27101B01F00A	CYLINDER	1
5	204204.001000	GASKET , CYLINDER	1
6	26107B01F910	STUD BOLT	4
7	304290700063	NUT	4



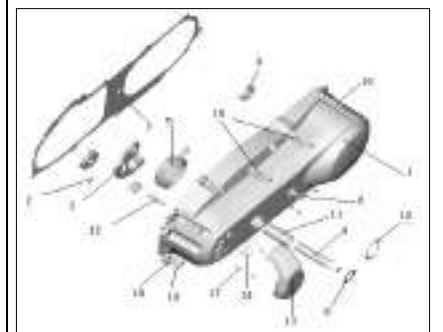
2 CRANKCASE ASSY

NO	CODE	DESCRIPTION	QTY.
1	206200.045000	CRANKCASE,LH	1
2	26108G02F000	BUSH,ENGINE MOUNTING	1
3	B12016600300	BEARING 6003-2RS	2
4	26211B09F001	CRANKCASE,RH	1
5	26142G02F000	BRAKE SHOE	1
6	26123G02F000	DOWEL PIN 12X16	2
7	301310603565	PAN HEAD SCREW M6X35	6
8	206400.006000	AXLE,engine mount	1
9	B08010001700	CIRCLIP 17	2
10	B04070812553	NUT M8	1
11	26214B09F000	BEARING HOLDER	1
12	B02000601262	PAN HEAD SCREW M6X12	2
13	14222J01F000	O-RING	1
14	26123G02F000	DOWEL PIN 12X16	2
15	214201.004000	GASKET , GEAR BOX	1
16	214200.016000	COVER, GEAR BOX	1
17	206407.004081	OIL PLUG	1
18	26102G02F000	O RING	1
19	301310801605	FLANGE BOLT M8X16	1
20	18105H03F000	PLATE WASHER 8	1
21	26214G02F910	OIL SEAL HOLDER	1
22	301310601263	PAN HEAD SCREW M6X12	1
23	206321.001000	GASKET	1
24	301310805565	SCREW M8X55	2
25	301310805065	SCREW M8X50	5
26	207234.001000	bush	1



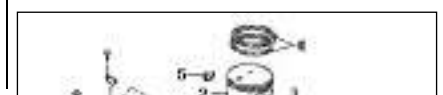
3 SIDECOVER ASSY

NO	CODE	DESCRIPTION	QTY.
1	207200.152000	L CRANKCASE COVER	1
2	17418G02F930	clip	1
3	17415G02F000	kick pijion assy	1
4	216100.024000	shaft kick starter	1
5	17407G02F000	spring	1
6	301310606562	PAN HEAD SCREW M6X65	1
7	207208.009000	GASKET,L CRANKCASE	1
8	24209G02F000	bearing	1
9	307991005552	washer kick starter	1
10	308090150010	circlip	1
11	17413G02F00B	bush	1
12	26128G02F000	idle gear shaft	1
13	207219.003000	inlet leading cover	1
14	207106.006000	wire netting assy	1
15	301310602565	PAN HEAD SCREW M6X35	2
16	301310603565	PAN HEAD SCREW M6X25	8
17	3052035014F5	screw	6
18	B07050000100	plater washer	1
19	302260602065	screw	1

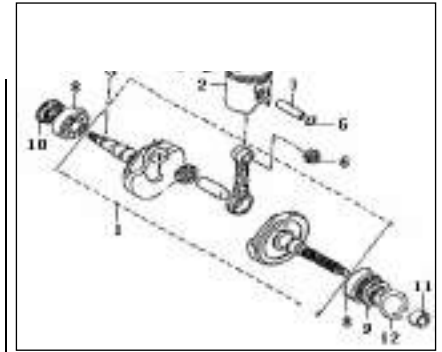


4 PISTON CRANKSHAFT CONNECTING ROD ASSY

NO	CODE	DESCRIPTION	QTY.
1	208100.023000	CRANKSHAFT , ASSY	1
2	15100B01F00B	PISTON ASSY	1

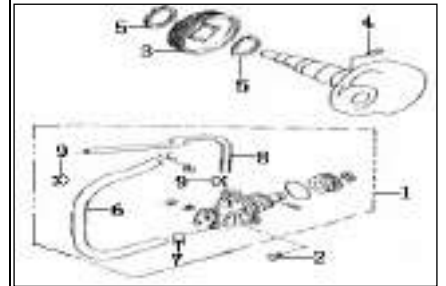


3	15105B16F000	PISTON PIN	1	
4	15103B01F000	PISTON RING	2	
5	15111G02F000	CIRCLIP	2	
6	15110B16F000	NEEDLE BEARING	1	
7	15101B01F000	WOODRUFF KEY	1	
8	B12016620453	BALL BEARING	2	
9	15213G02F000	OIL SEAL	1	
10	26215G02F000	OIL SEAL ASSY	1	
11	15214G02F000	COLLAR	1	
12	17308G02F000	CIRCLIP	1	



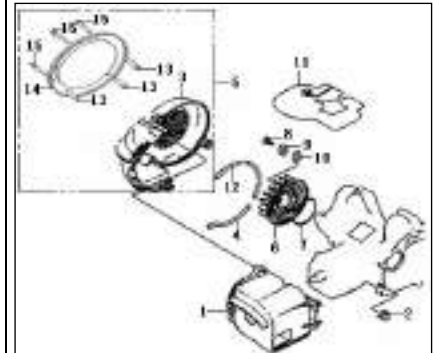
5 OIL PUMP ASSY

NO	CODE	DESCRIPTION	QTY.	
1	219101.008000	OIL PUMP ASSY	1	
2	B02000501463	SCREW	2	
3	15211G02F000	PUMP DRIVE GEAR	1	
4	B090103014C0	PIN	1	
5	15106G02F910	CIRCLIP	2	
6	221405.011000	HOSE,OIL INLET	1	
7	19213G02F00A	HOSE CLIP	2	
8	221405.101000	HOSE,OIL OUTLET	1	
9	19217G02F00A	HOSE CLIP	2	



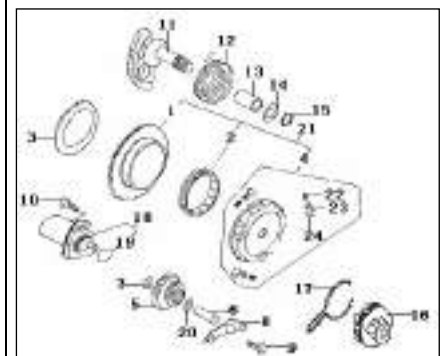
6 AIR COOLING SYSTEM

NO	CODE	DESCRIPTION	QTY.	
1	20301B01F000	COWLING,cylinder	1	
2	20303G02F000	GROMMET	2	
3	20201B09F000	COELING,fan	1	
4	20208G02F000	BEADING (RUBBER)	1	
5	222103.009000	COVER ASSY (FAN)	1	
6	20401B01F000	FAN ASSY	1	
7	20402G02F000	RUBBER RING 70X3.1	1	
8	B02000601663	SCREW M6X16	3	
9	B07000000600	SPRING WASHER φ6	3	
10	B07030000600	WASHER φ6	3	
11	20102G02F000	DUST COVER (RUBBER)	1	
12	20206G02F000	BEADING (RUBBER)	1	
13	20208B09F000	COLLOR	3	
14	222304.102000	COVER	1	
15	B02000403524	SCREW M4X35	3	



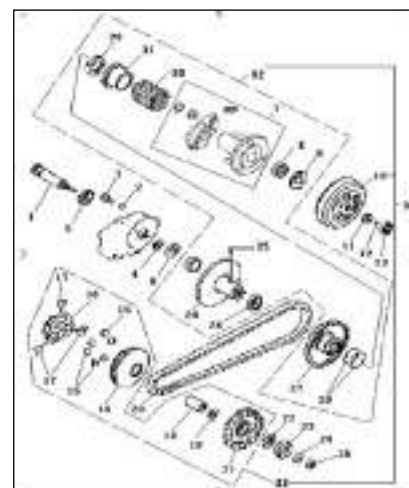
7 KICK STARTER ASSY

NO	CODE	DESCRIPTION	QTY.	
1	34120G02F000	START GEAR ASSY	1	
2	34121G02F000	NEEDLE BEARING	1	
3	34123G02F000	THRUST WASHER	1	
4	34110G02F00A	STARTER CLUTCH ASSY.COMP	1	
5	34126G02F000	DRIVEN GEAR,STARTER	1	
6	26128G02F000	IDLE GEAR SHAFT	1	
7	34122G02F000	PLATE WASHER	1	
8	34125G02F000	IDLE GEAR HOLDER	1	
9	301310601062	SCREW	2	
10	302040602065	SCREW	2	
11	216100.004000	SHAFT, kick starter	1	
12	17407G02F000	SPRING	1	
13	216217.001000	BUSH	1	
14	307991005552	WASHER ,kick starter	1	
15	308090150003	CIRCLIP	1	
16	17415G02F000	KICK PINION ASSY	1	
17	17418G02F930	CLIP	1	
18	218100.033000	STARTING MOTOR ASSY	1	
19	B190102120B0	O-RING	1	
20	34130G02F000	PLATE WASHER	1	
21	217100.100000	START CLUTCH ASSY, COMP.	1	
22	34404G02F00A	SPRING	3	
23	34405G02F00A	CAP	3	
24	34402G02F00A	ROLLER	3	



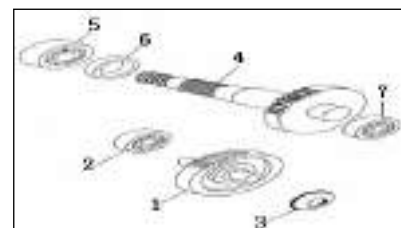
8 CLUTCH ASSY

NO	CODE	DESCRIPTION	QTY.
1	24201B09F000	PRIMARY DRIVE SHAFT	1
2	18114G02F000	PLATE WASHER	1
3	B01090801263	PAN HEAD SCREW	1
4	B08010001700	CIRCLIP	1
5	B12016620300	BEARING 6203	1
6	24203B09F000	OIL SEAL	1
7	24301B01F000	CLUTCH ASSY,shoe	1
8	24245G02F000	ROLLER BEARING	1
9	24303G02F000	NUT	1
10	24700G02F000	CLUTCH DRUM	1
11	24305G02F940	NUT	1
12	24243G02F000	O-RING	1
13	24209G02F000	BEARING 638Z	1
14	24101G02F000	FACE,movable drive	1
15	213119.004000	ROLLER	6
16	24103G02F000	PLATE,movable drive	1
17	24104G02F000	DAMPER	3
18	24105G02F000	COLLER	1
19	24106B01F000	WASHER	1
20	24107B01F000	V BELT , DRIVE	1
21	24108G02F000	FACE , FIXED DRIVE	1
22	24109G02F000	PLATE , WOODRUFF KEY	1
23	213203.001161	STARTING DISC	1
24	15112G02F010	WASHER , SPRING	1
25	B04031212553	NUT	1
26	24204G02F000	FACE , FIXED DRIVEN	1
27	24205G02F000	FACE , MOVABLE DRIVEN	1
28	24206G02F000	OIL SEAL	1
29	24207G02F000	O-RING	2
30	24308B01F000	SPRING	1
31	24309G02F930	SEAT , SPRING	1
32	24200B01F000	DRIVEN PULLEY and CLUTCH ASSY	1
33	24100B09F000	DRIVE ASSY	1
34	213100.009000	SHIFT ASSY	1
35	24208G02F000	PIN , GUIDE	2



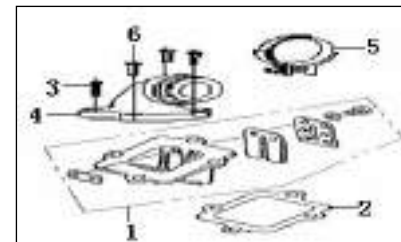
9 TRANSMISSION SYSTEM ASSY

NO	CODE	DESCRIPTION	QTY.
2	B12016620000	BEARING 6200	1
3	17732J01F000	WASHER , thrust	1
4	214104.014000	SHAFT , REAR BOX	1
5	B12016600400	NEEDLE BEARING	1
6	17317B09F000	OIL SEAL	1
7	B12016620200	NEEDLE BEARING	1



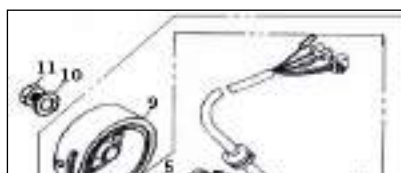
10 REED VALVE ASSY

NO	CODE	DESCRIPTION	QTY.
1	32300G02F000	REED VALVE ASSY	1
2	202306.002000	VALVE SEAT GASKET	1
3	302040602065	SCREW	3
4	32200G02F000	PIPE, intake	1
5	202104.006472	CLIP	1
6	206412.001472	SCREW	1

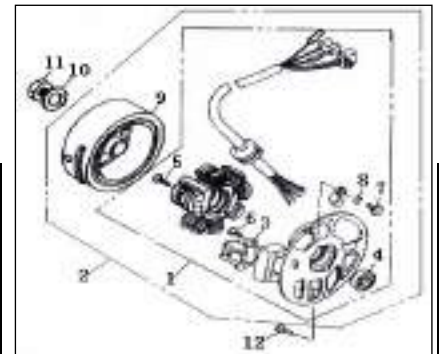


11 MAGNETO ASSY

NO	CODE	DESCRIPTION	QTY.
1	34310G02F000	COIL ASSY	1
2	223100.009000	MAGNETO ASSY	1
3	34330G02F000	PULSE TRIGGER	1
4	34350G02F000	OIL SEAT	1
5	B02000502522	SCREW	2



6	B02000501262	SCREW	2	
7	B02000400622	SCREW	1	
8	B07000000400	SPRING WASHER	1	
9	223101.019000	FLY WHEEL ASSY	1	
10	B07030001200	WASHER	1	
11	15228H03F000	NUT	1	
12	B01070601664	NUT	2	



12 CARBURETORASSY

NO	CODE	DESCRIPTION	QTY.	
1	32510B01F000	NEEDLE, jet	1	
2	32511B01F000	VALVE,PISTON	1	
3	224202.066000	JET, main	1	
4	32612B01F000	ENRICH VALVE	1	
5	32619B01F000	PIN, float	1	
6	32620B01F000	FLOAT	1	
7	32701B01F000	GASKET	1	
8	32609B01F000	JET, idle	1	
9	224100.090000	CARBURETOR ASSY	1	
9	224100.147000	CARBURETOR ASSY	1	
10	32508B01F000	CLIPMM,V shape	1	

